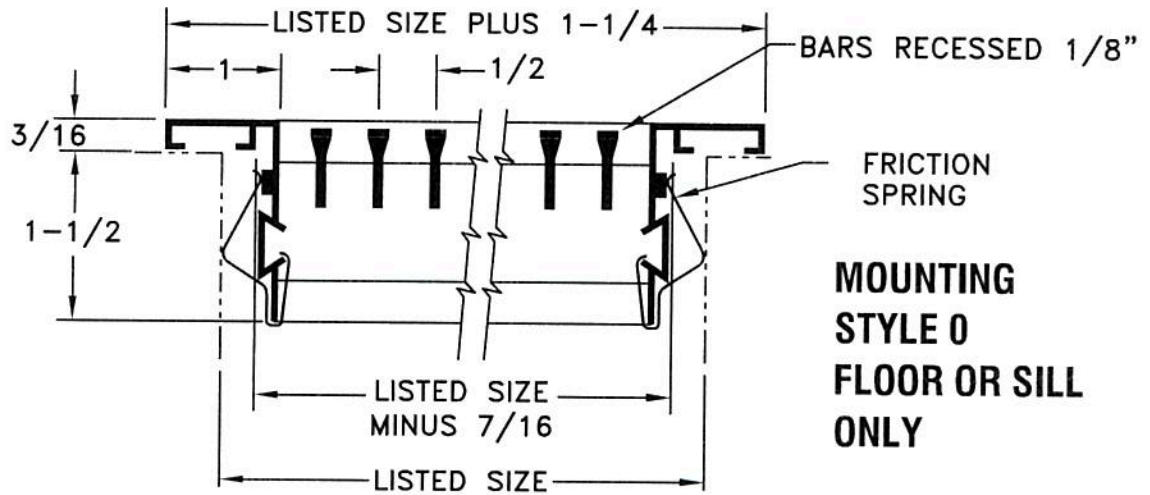
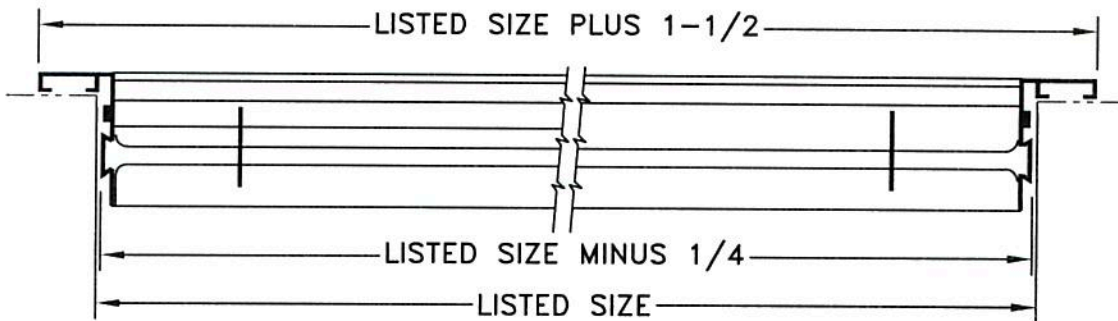


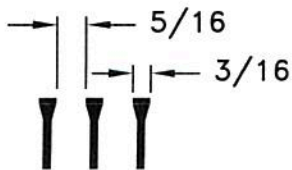
- EXTRUDED ALUMINUM CONSTRUCTION
- MINIMUM SIZE: 4 LONG X 1-1/2 WIDE ONE PIECE CONSTRUCTION
- MAXIMUM SIZE: 72 LONG X 24 WIDE ONE PIECE CONSTRUCTION
- WIDTH DIMENSION IN 1/2 INCH INCREMENTS ONLY
- LENGTHS OVER 72 INCHES ARE MULTIPLE SECTIONS WITH KEYWAY SPLICES
- FOR DAMPERS AND DIMENSIONS SEE AM-ELS/ELF
- FINISH: WHITE (W) OR SATIN ANODIZED (SA)
- FLOOR APPLICATION MAX WIDTH 8" CONSTANT TRAFFIC
- FLOOR APPLICATION MAX WIDTH 12" OCCASSIONAL TRAFFIC



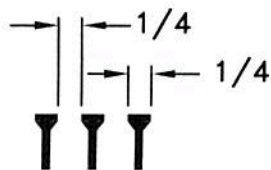
**MOUNTING
STYLE 0
FLOOR OR SILL
ONLY**



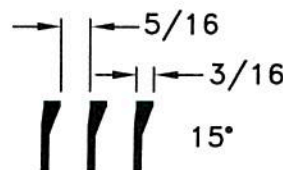
FACE BARS - 1/2 INCH CENTERS



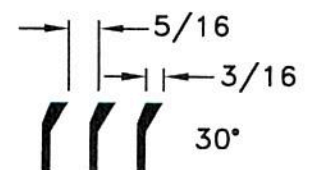
00



01



15



30

JOB NAME: _____
 LOCATION: _____
 ARCHITECT: _____
 ENGINEER: _____
 CONTRACTOR: _____

SUBMITTED BY: _____

DATE: 01/7/2013 | AM-ELF

ELF SERIES
 Linear Grilles With Standard
 Drop-In Mounting
 Mounting Style 0