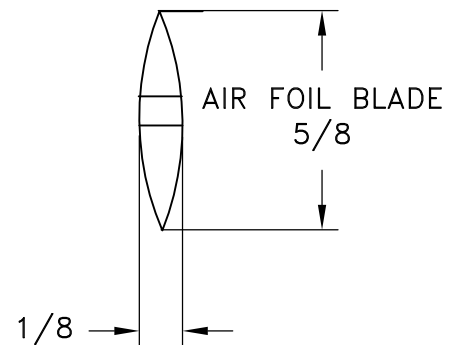
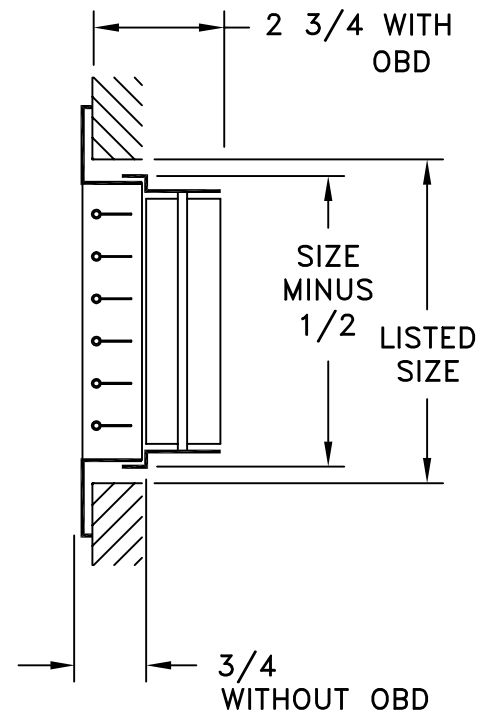
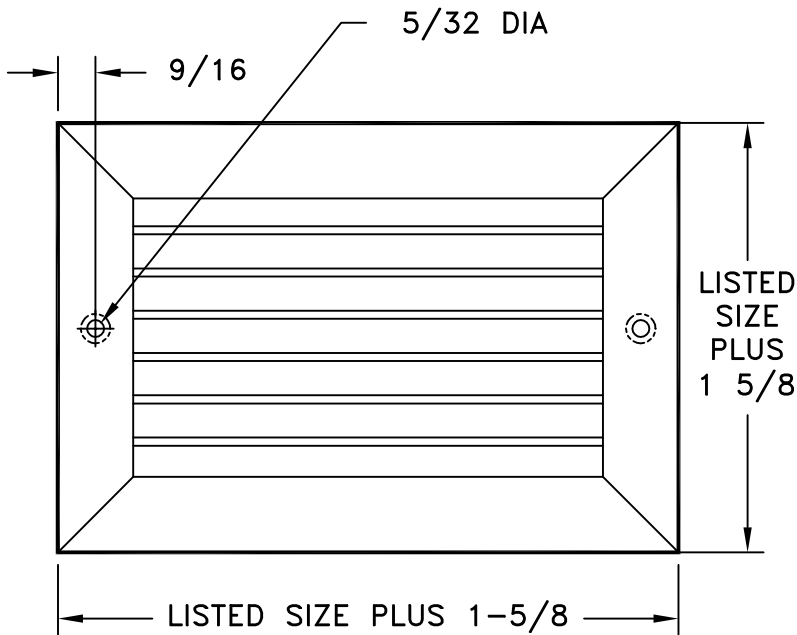


- ALUMINUM CONSTRUCTION. SINGLE DEFLECTION GRILLE.
- OPTIONAL SCREW DRIVER OPERATED OPPOSED BLADE DAMPER
- INDIVIDUALLY ADJUSTABLE AIR FOIL BLADES, 2/3" FIN SPACING
- FINISH: BRIGHT WHITE OR PAINTED ALUMINUM



MODELS AVAILABLE

- E200H/E200HO-BLADES ARE HORIZONTAL
- E200V/E200VO-BLADES ARE VERTICAL

JOB NAME: _____

LOCATION: _____

ARCHITECT: _____

ENGINEER: _____

CONTRACTOR: _____

SUBMITTED BY: _____

DATE: 08/19/2014 | AM-E200V/E200H

E200V/E200H
 EXTRUDED ALUMINUM GRILLE WITH
 AIR FOIL BLADES. SINGLE DEFLECTION
 OPTIONAL OPPOSED BLADE DAMPER