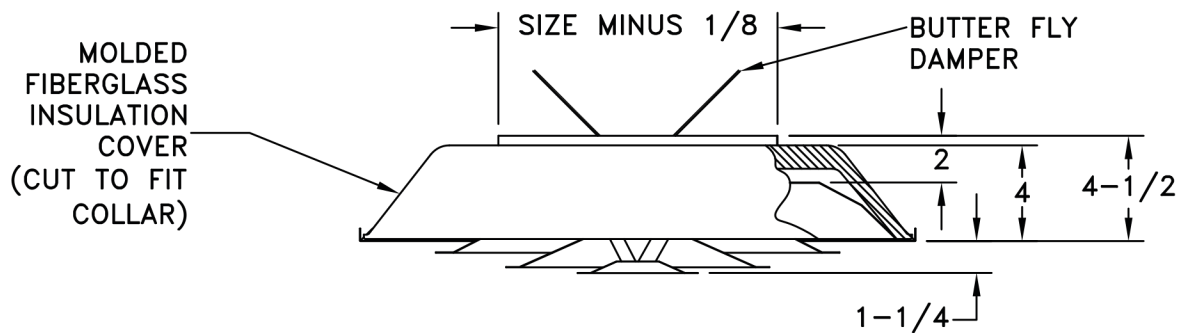
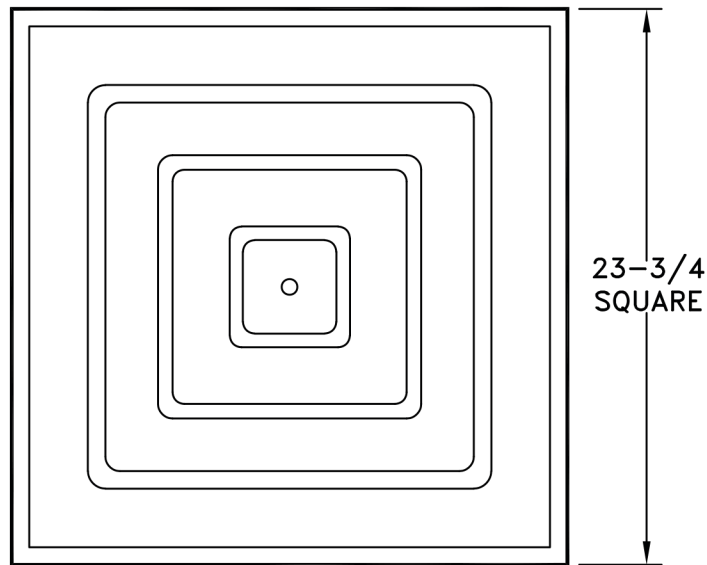


- ALL STEEL CONSTRUCTION
- FITS 24"X24" T-BAR GRID
- FIXED 2" COLLAR ATTACHED WITH BUTTER FLY DAMPER
- R4.2 MOLDED INSULATED BACK 1301 INS
- R6 MOLDED INSULATED BACK 1301 INS R6
- FINISH: BRIGHT WHITE



JOB NAME: _____
 LOCATION: _____
 ARCHITECT: _____
 ENGINEER: _____
 CONTRACTOR: _____

SUBMITTED BY: _____

DATE: 01/10/2023 | AM-1301-INS

1301 INS R4.2, R6
 Steel
 High Volume 3-Cone Face
 With Butter Fly Damper