

DRAINS & RINSER CATALOG
2022

ALUIDS

DESIGNED FOR FLUIDS



Manufacturing Since 1999

40+ Years of Experience in Plumbing



Shipping Nationwide

GLASS RINSER



LINEAR SHOWER DRAIN



PRE RINSE UNIT & PANTRY FAUCETS

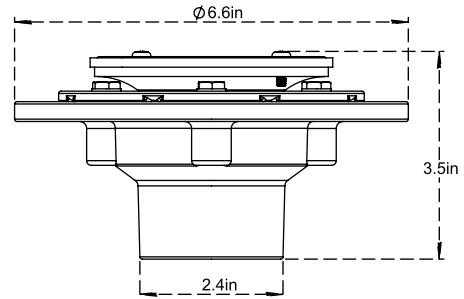
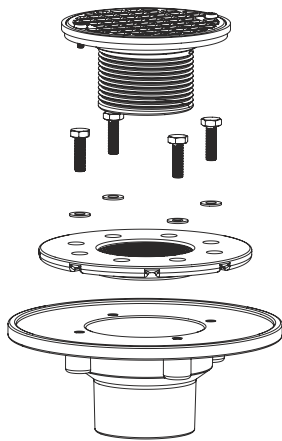


COMMERCIAL DRAINS



C8963

No Hub **Cast Iron** Round Shower Drain
2 inch Drain



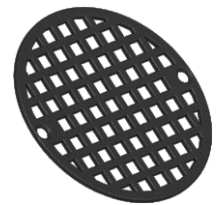
Available in :



Chrome Polished
C8963-CP



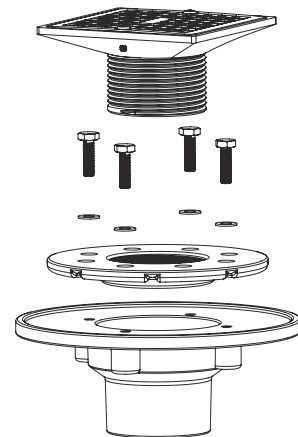
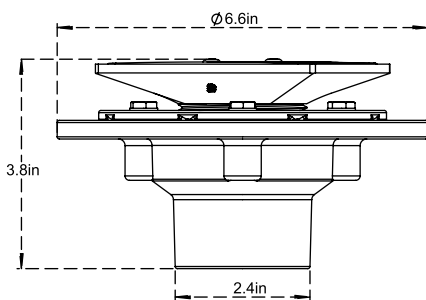
Brushed
C8963-VS



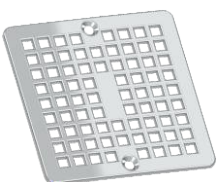
Matt Black
C8963-BL

C8964

No Hub **Cast Iron** Square Shower Drain
2 inch Drain



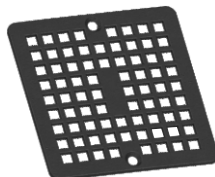
Available in :



Chrome Polished
C8964-CP



Brushed
C8964-VS



Matt Black
C8964-BL

Cast Iron Flange

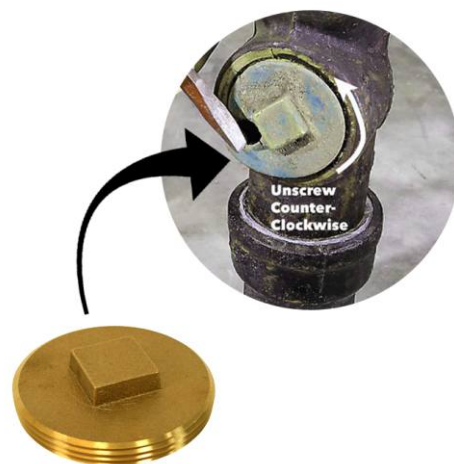


Part #	Part Name
C8948	3" pipe x 2" depth Cast Iron Toilet Flange with SS Bolt/Nuts



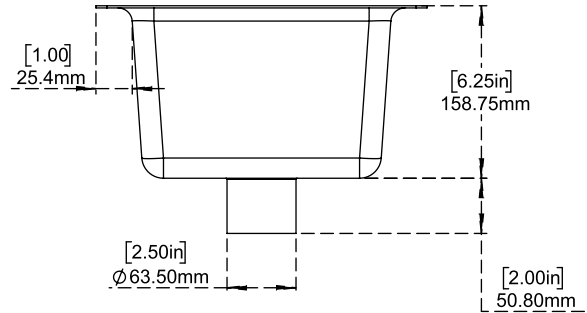
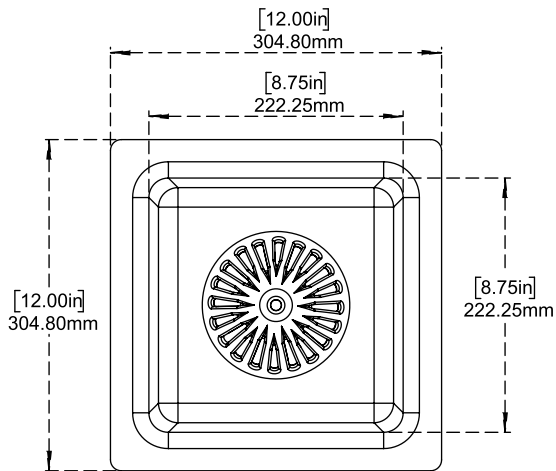
Part #	Part Name
C8949	4" pipe x 2" depth Cast Iron Toilet Flange with SS Bolt/Nuts

Clean Out Plug



Part #	Part Name
C8020	Brass Clean Out Plug - 3-1/2"
C8069	Brass Clean Out Plug - 4"

Floor Sinks



Part #	Part Name
C8980-2	Floor Sink 12"x12"x6", 2"Drain with Dome Strainer
C8980-3	Floor Sink 12"x12"x6", 3"Drain with Dome Strainer



Part #	Part Name
C8965	Aluminium Dome Strainer for 12" Floor Sink 5-1/2" Diameter



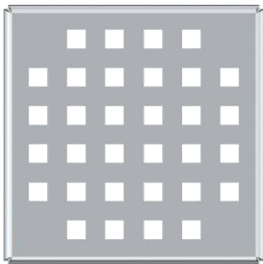
Part #	Part Name
C8979	Sink Floor Grate

SHOWER DRAIN

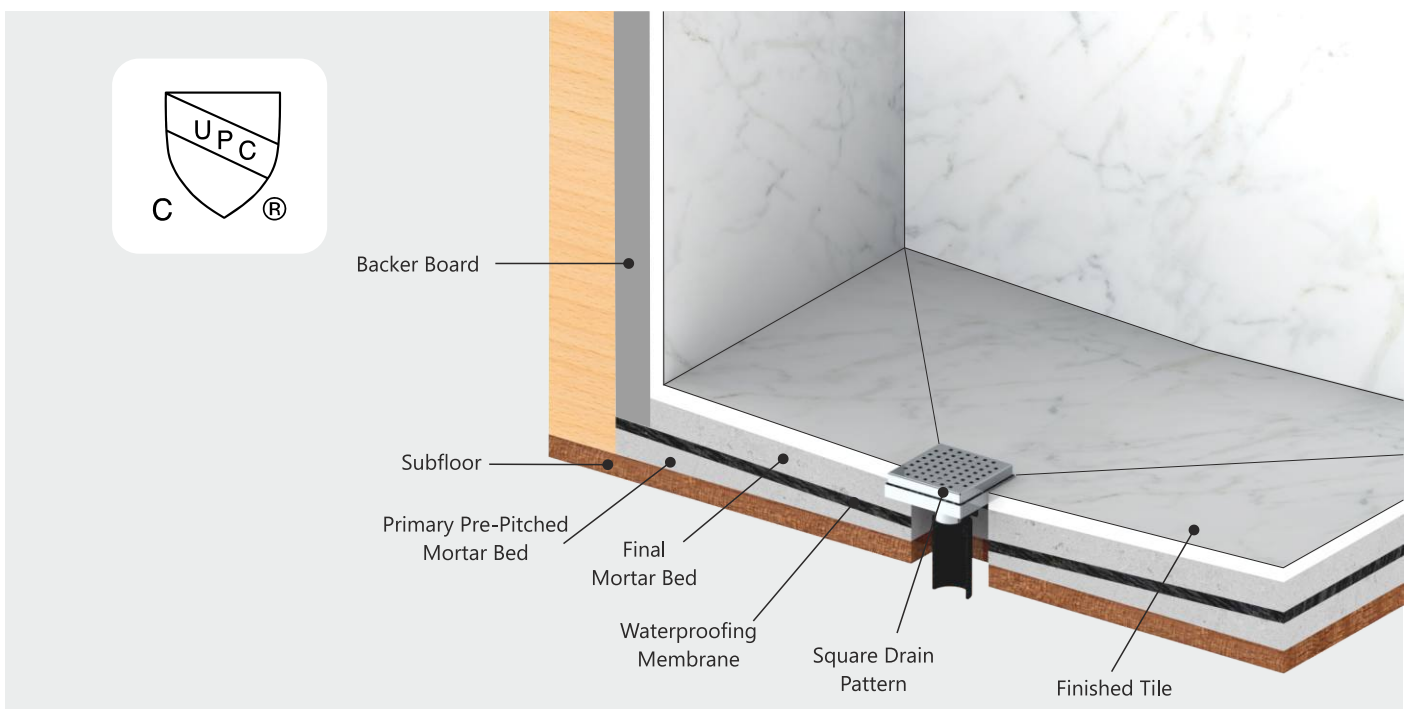




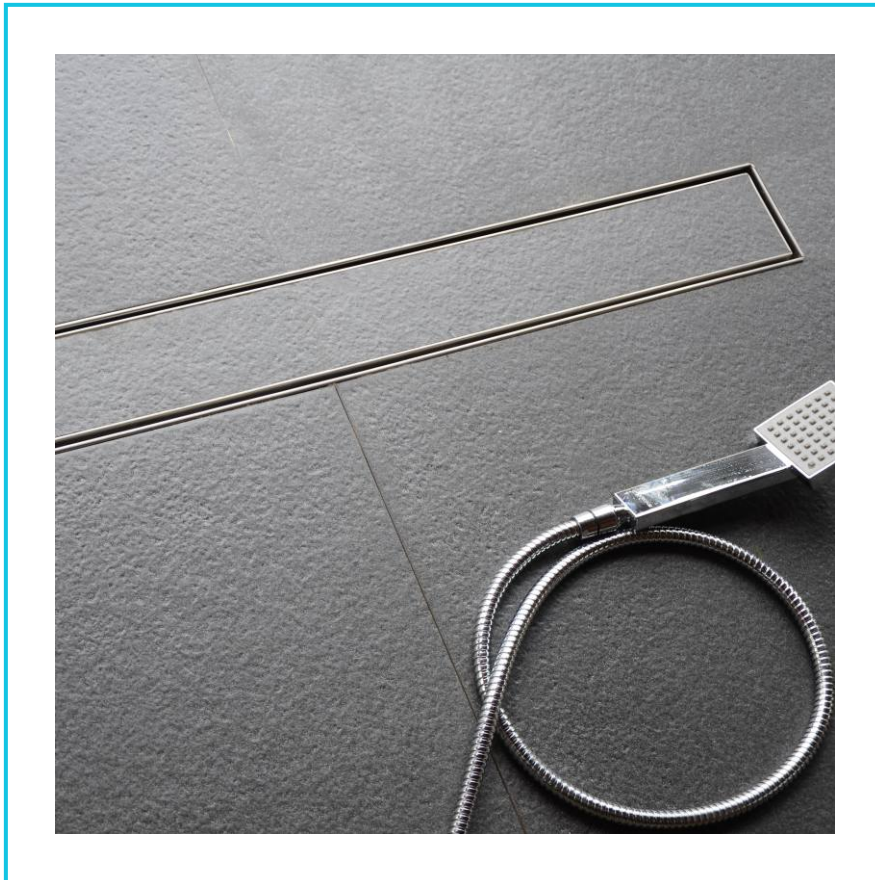
Part #	Part Name
C8519	4" Square Shower Drain (Tile-in)
C8520	6" Square Shower Drain (Tile-in)



We can also customize the drain pattern as per your design



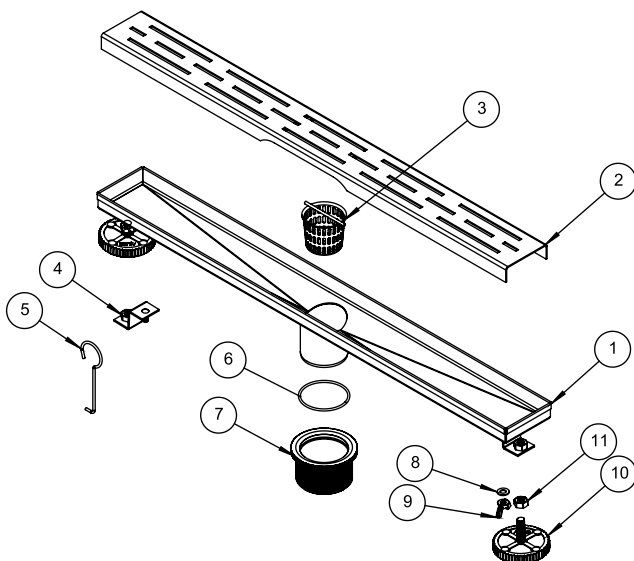
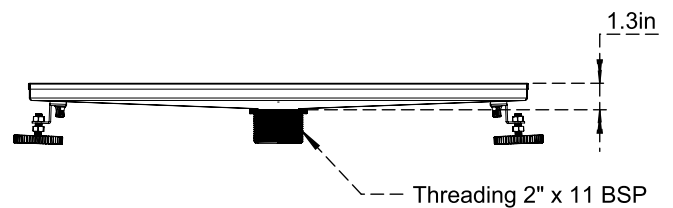
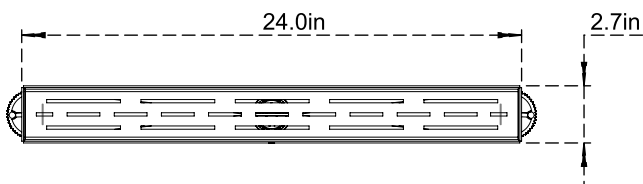
LINEAR SHOWER DRAIN



Slotted Pattern Linear Shower Drain

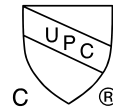


Part #	Part Name
C8954	24" Slotted Pattern Linear Shower Drain - Brushed
C8955	28" Slotted Pattern Linear Shower Drain - Brushed
C8956	32" Slotted Pattern Linear Shower Drain - Brushed
C8957	36" Slotted Pattern Linear Shower Drain - Brushed
C8958	48" Slotted Pattern Linear Shower Drain - Brushed

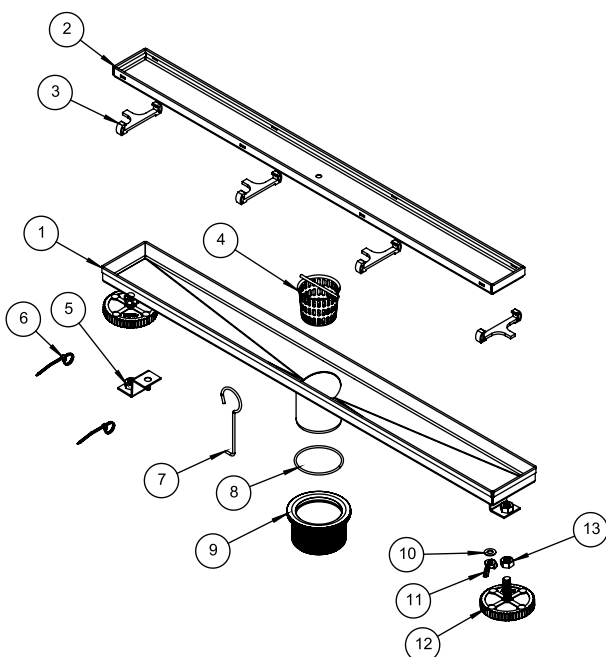
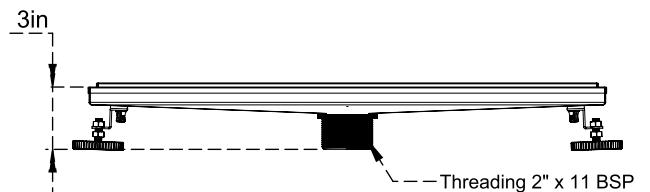
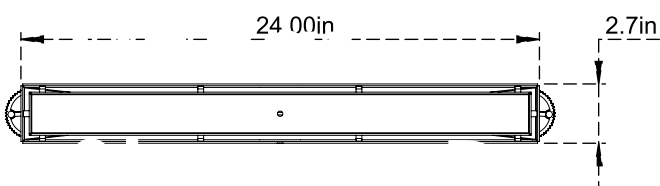


Item No.	Part No.	Part Name
1	C8954.50	Drain Body 24"
2	C8954.02	Stainless Steel grate for 24"
3	C8954.51	Stainless Strainer
4	C8954.52	Z-Bracket for leveling feet
5	C8954.10	Hook
6	C8954.08	O Ring for Adjustable Drain Barrel
7	C8969.03.G	Adjustable Drain Barrel with Groove
8	C173.04.02	Washer for Tower Assembly
9	C169.03	Wing Nut
10	C8954.06	Leveling Feet Base
11	45205.03.05	Hex Nut - M8

Linear Shower Drain (Tile-in)

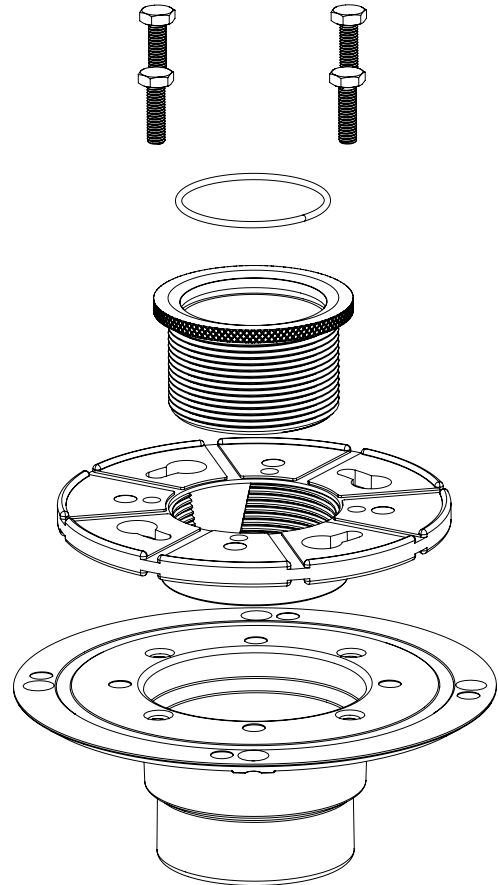


Part #	Part Name
C8971	24" Linear Shower Drain (Tile-in) - Brushed
C8972	28" Linear Shower Drain (Tile-in) - Brushed
C8973	32" Linear Shower Drain (Tile-in) - Brushed
C8974	36" Linear Shower Drain (Tile-in) - Brushed
C8975	48" Linear Shower Drain (Tile-in) - Brushed



Item No.	Part No.	Part Name
1	C8954.50	Drain Body 24"
2	C8971.01	Tile tray for 24" drain
3	C8954.05	Tray Supporter
4	C8954.51	Stainless Strainer
5	C8954.52	Z-Bracket for leveling feet
6	CT011.02	Cable Tie
7	C8954.10	Hook
8	C8954.08	O Ring for Adjustable Drain Barrel
9	C8969.03.G	Adjustable Drain Barrel with Groove
10	C173.04.02	Washer for Tower Assembly
11	C169.03	Wing Nut
12	C8954.06	Leveling Feet Base
13	45205.03.05	Hex Nut - M8

PVC Drain Base



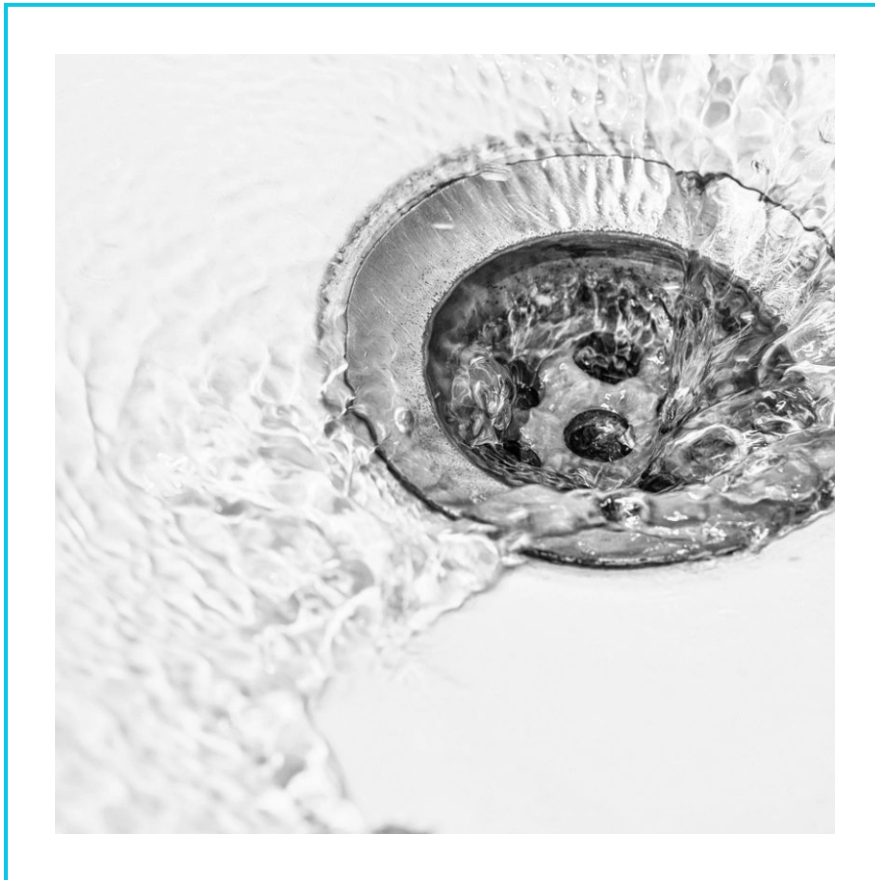
Part #	Part Name
C8969	PVC Shower Drain Base for 2" Square & Linear Shower floor Drain

Cast Iron Drain Base

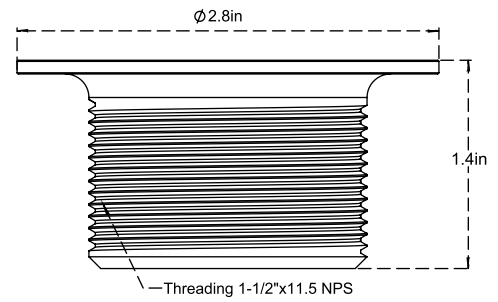


Part #	Part Name
C8970	Cast Iron Shower Drain Base for 2" Square & Linear Shower floor Drain

RESIDENTIAL DRAINS



Part #	Part Name	Thread Size
C8052	SS Tub Drain Strainer Trim Kit with Drain Body - Polished Gold	1-1/2"IPS
C8053	SS Tub Drain Strainer Trim Kit with Drain Body - Polished Chrome	1-1/2"IPS
C8054	SS Tub Drain Strainer Trim Kit with Drain Body - Brushed Nickle	1-1/2"IPS
C8065	SS Tub Drain Strainer Trim Kit with Drain Body - Matte Black	1-1/2"IPS



C8065



C8052



C8053



C8054

Bathtub Grid Strainer



C8068



C8031



C8032



C8033

Part #	Part Name
C8031	SS Bathtub Grid Strainer - Polished Gold
C8032	SS Bathtub Grid Strainer - Polished Chrome
C8033	SS Bathtub Grid Strainer - Brushed Nickle
C8068	SS Bathtub Grid Strainer - Matte Black



C8059

Part #	Part Name
C8059	Roller Ball Tub Drain
C8058	Roller Ball Tub Drain Replacement Assembly



C8524

Part #	Part Name
C8524	General purpose (Solvent weld on) Floor Drain – Screw in strainer 3" x 4"
C8523	General purpose (Solvent weld on) Floor Drain – Screw in strainer 2" x 3"



Part #	Part Name
C975	Universal Grid Drain

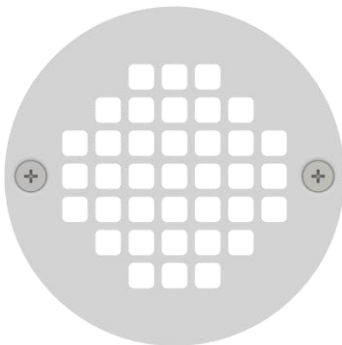


Part #	Part Name
C976	Deep Cup Bar Sink Strainer

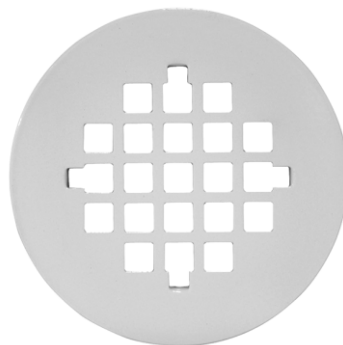
Shower Strainer



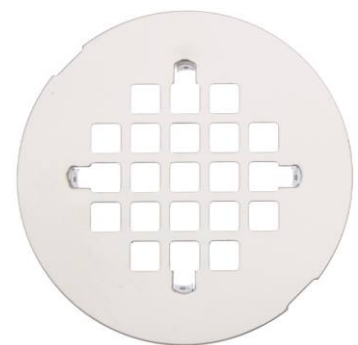
Part #	Part Name
C8036	Universal Snap Tile Shower Strainer - Brushed Nickle
C8037	Universal Screw Tile Shower Strainer - Chrome
C8005	Stainless Steel Snap-In Strainer for No Caulk Shower - SS Polished



C8037



C8036



C8005



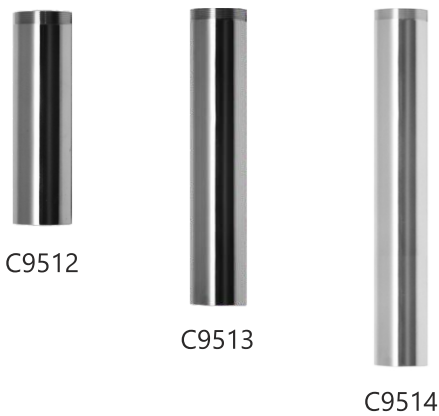
Part #	Part Name
C963	2 in. Brass No Caulk Shower Drain with 4-1/2 in. Stainless Steel Strainer

Lavatory Grid Drain With Overflow



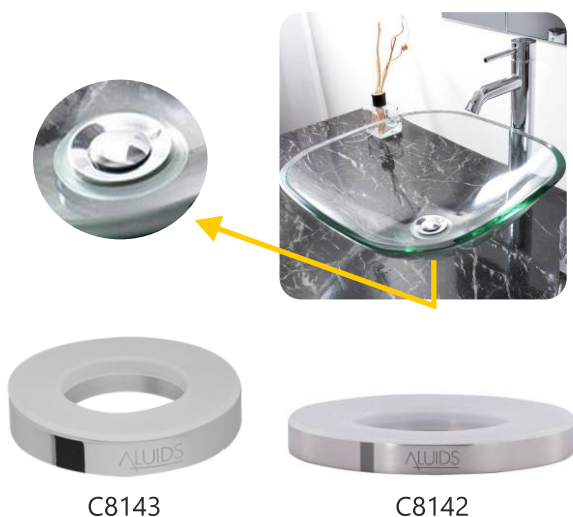
Part #	Part Name	Size (A)
C768	Chrome Plated Brass Lavatory Grid Strainer	6"
C769	Chrome Plated Brass Lavatory Grid Strainer	8"

Lavatory Grid Drain Extension



Part #	Part Name
C9512	4.5" Replacement Lavatory Grid Strainer Extension Pipe - Chrome Plated
C9513	5" Replacement Lavatory Grid Strainer Extension Pipe - Chrome Plated
C9514	6.5" Replacement Lavatory Grid Strainer Extension Pipe - Chrome Plated

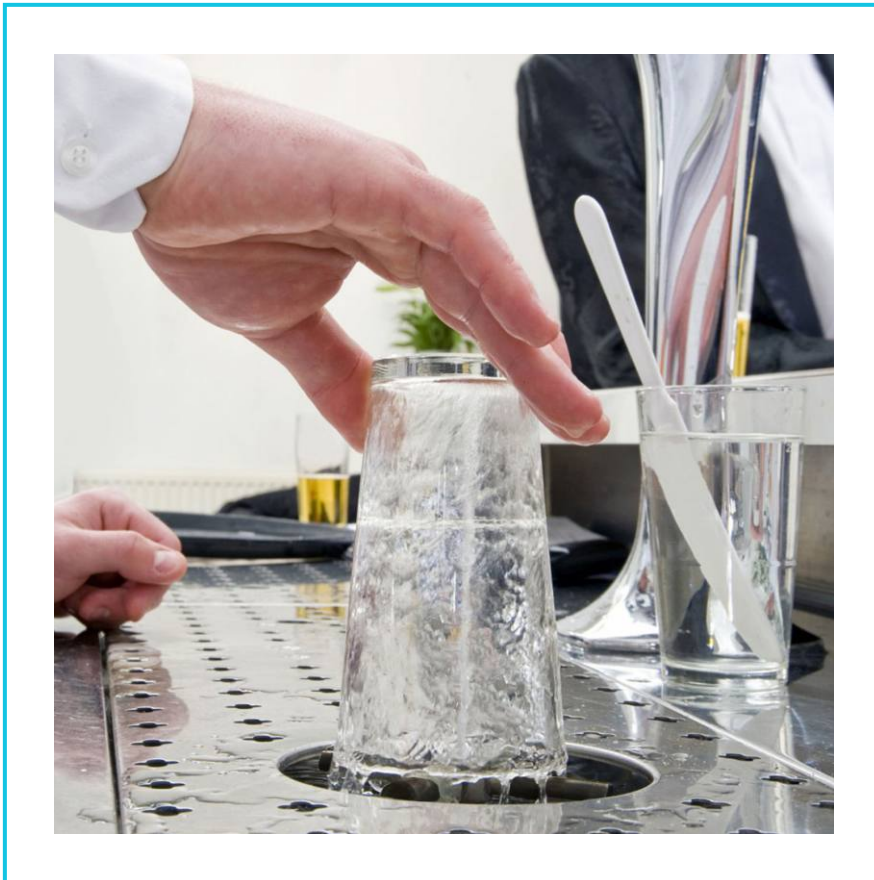
Mounting Ring for Vessel Sink



Part #	Part Name
C8142	Brass Mounting Ring for Vessel Sink - Brushed Nickle
C8143	Brass Mounting Ring for Vessel Sink - Chrome Plated

- It creates space between sink and sink deck to reach every nook and corner for cleaning.

RINSERS



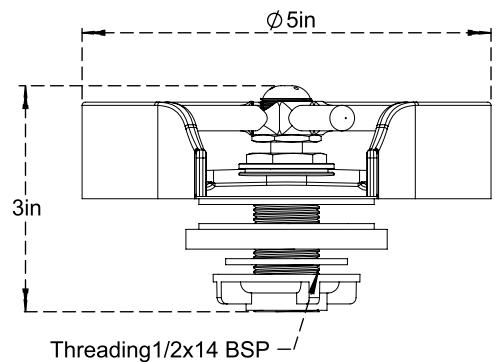
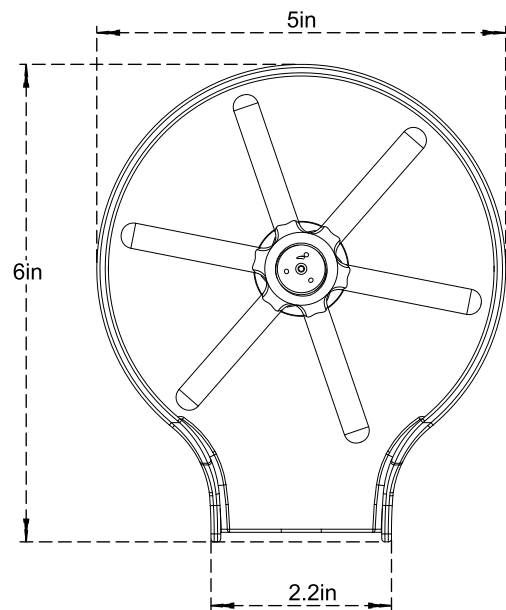
Café | Bars | Restaurants | Kitchens



THE ORIGINAL RINSER

Residential

C4400-V2



- Most efficient rinser.
- Install on either hot or cold water supply lines.
- Mounts on a standard countertop hole.
- Useful to rinse a wide variety of cups, bottles, and glasses.

Rinser Sink



C4033

Pitcher Rinser Sink Recessed-300mm



Commercial

C4033

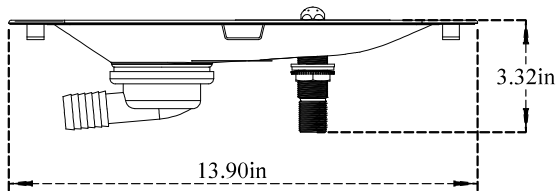


• Efficient Wider Drainage

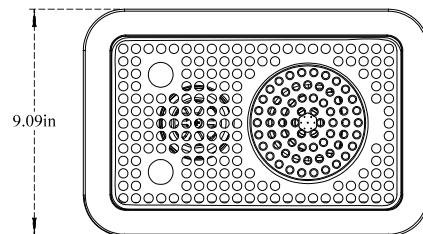
• Very Easy to Clean

• NSF Approved Rinser

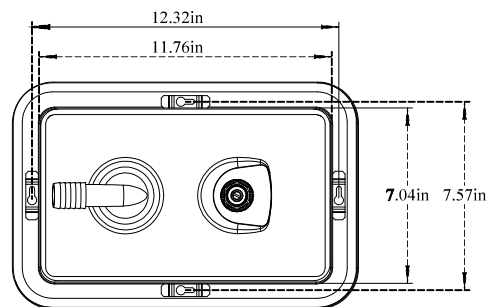
• 2yr Limited Warranty



Side



Top



Bottom

• Mounting Hardware & Hoses Included

• Heavy Duty Construction



C4044

Part #	Product Name
C4044	Krome Pitcher Rinser Sink-Counter Top-300mm
C4049	Krome Pitcher & Blender Rinser Sink-Counter Top-300mm
C4050	Krome Pitcher & Blender Rinser Sink Recessed-300mm

Recessed Rinsers



C360



C860



C4060

Part #	Product Name
C360	11-3/8" x 6-3/8" Glass Rinser Drip Tray Under Counter - Brushed Stainless
C860	11" x 6" Glass Rinser Under Counter With Rinser Disk - Brushed Stainless
C4060	6-3/8"x6-3/8" Glass Rinser Drip Tray - Brushed Stainless



C4003



C639



C4012

Part #	Product Name
C4003	24" x 7" Center Spray Glass Rinser Drip Tray - Brushed Stainless
C639	45" x 7" Double Side Spray Rinser Drip Tray - Brushed Stainless
C4012	45" x 7" Triple Rinser Drip Tray - Brushed Stainless
C466	15" x 7" Center Spray Glass Rinser Drip Tray - Brushed Stainless

Part #	Product Name
C4008	16" x 7" Center Spray Glass Rinser - Brushed Stainless
C4009	16" x 7" Center Spray Glass Rinser - Polished Chrome
C848	16" x 7" Center Spray Glass Rinser - Brushed Stainless
C4018	16" X 7" Center Spray Pitcher Rinser Tray - Vibrant Gold
C4031	25" x 8.50" Large Rinser Recessed Tray - Brushed Stainless



C848



C4008



C4220

Part #	Product Name
C4220	20" x 7" Side Spray Glass Rinser Recessed Drip Tray - Brushed Stainless

Recessed Rinsers



C335



C895



C029



C662.05

Part #	Product Name
C895	10" X 6" Bigger Pitcher Rinser – Flush Mount (Without Cover)
C335	7.32"x6.85"x2.64" Flush-Mount Frothing Pitcher Rinser/Glass Rinser
C662.05	Drain Elbow - Thread Size (1-1/2")
C029	1/2" BSP Connector With 3/8" OD X 5 Feet Hose – PP Pipe Assembly



C4042

Part #	Product Name
C4042	Recessed Milk Pitcher Rinser with Drain Board

Part #	Product Name
C359	20" x 7" Side Spray Glass Rinser Drip Tray - Brushed Stainless
C460	24" X 7" Side Spray Glass Rinser Drip Tray - Brushed Stainless
C461	30" X 7" Side Spray Glass Rinser Drip Tray - Brushed Stainless
C462	36" X 7" Side Spray Glass Rinser Drip Tray - Brushed Stainless
C463	45" X 7" Side Spray Glass Rinser Drip Tray - Brushed Stainless



C359

Part #	Product Name
C465	10" x 7" Center Spray Glass Rinser Drip Tray - Brushed Stainless
C466	15" x 7" Center Spray Glass Rinser Drip Tray - Brushed Stainless
C464	8" x 8" Center Spray Glass Rinser Drip Tray - Brushed Stainless



C466



C465

Countertop Rinsers



C882

Part #	Product Name
C882	Wooden Counter Top Pitcher Rinser



C662



C334

Part #	Product Name
C662	10"x 6" Blender Container Rinser
C334	7.32" x 6.85" x 4.54" Counter Top Frothing Pitcher Rinser/Glass Rinser



C4043

Part #	Product Name
C4043	Counter Top Milk Pitcher Rinser with Drain Board

Part #	Product Name
C4044	Krome Pitcher Rinser Sink-Counter Top-300mm
C4049	Krome Pitcher & Blender Rinser Sink-Counter Top-300mm



C4044



Download Technical Specification Sheets from our Website www.aluids.com

Rinser Accessories



C334.13



C334.04



C4016



C4135



Part #	Product Name
C334.13	Pitcher Rinser Spray Assembly
C334.04	Replacement Plastic Rinser Disk
C4016	Replacement Stainless Steel Disk for Rinser
C4135	Replacement Pipe Set For SS Rinser Disk
C4013	Stainless Steel Disk Pitcher Rinser Spray Assembly



C360.50



C4029.50



C795



C360.45.75

Part #	Product Name
C360.50	Replacement Glass Rinser Spray Assembly
C4029.50	Glass Rinser Subassembly for Drip Tray – Vibrant Gold Finish
C795	Krome Pitcher Rinser Rebuild Kit with Spring
C3553	3/8" F X 3/8" F BSP 59" Stainless Steel Elbow Flex Line Hose
C4028.50	Glass Rinser Subassembly for Drip Tray – Replacement
C360.45.75	Glass Rinser Drip Tray Repair Kit



C3553



C990

Part #	Product Name
C990	In-Line Water Pressure Regulator - 15 P.S.I.

ALUIDS

Krome USA INC.

Atlanta, GA 30340

678 666 2001 | info@aluids.com | www.aluids.com