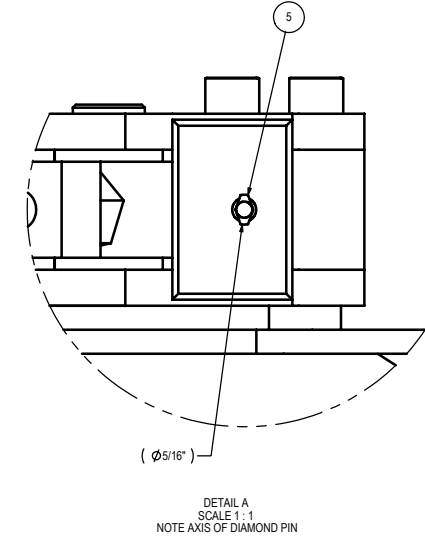
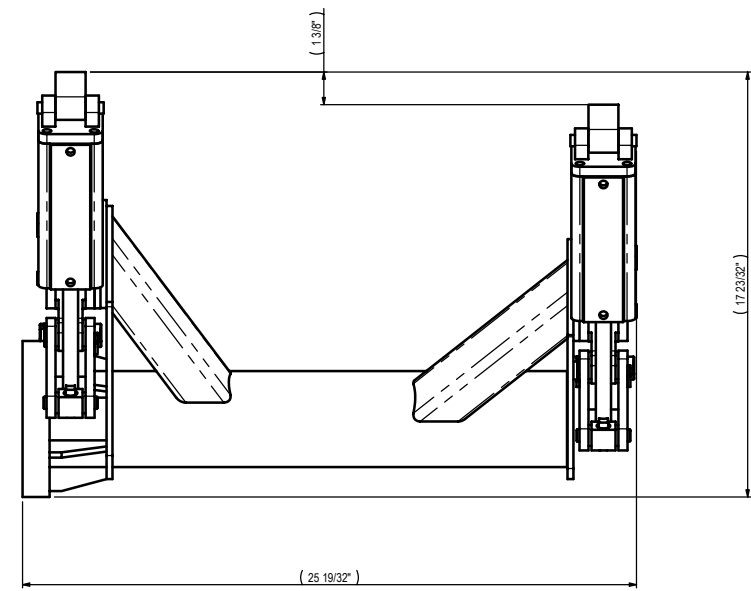
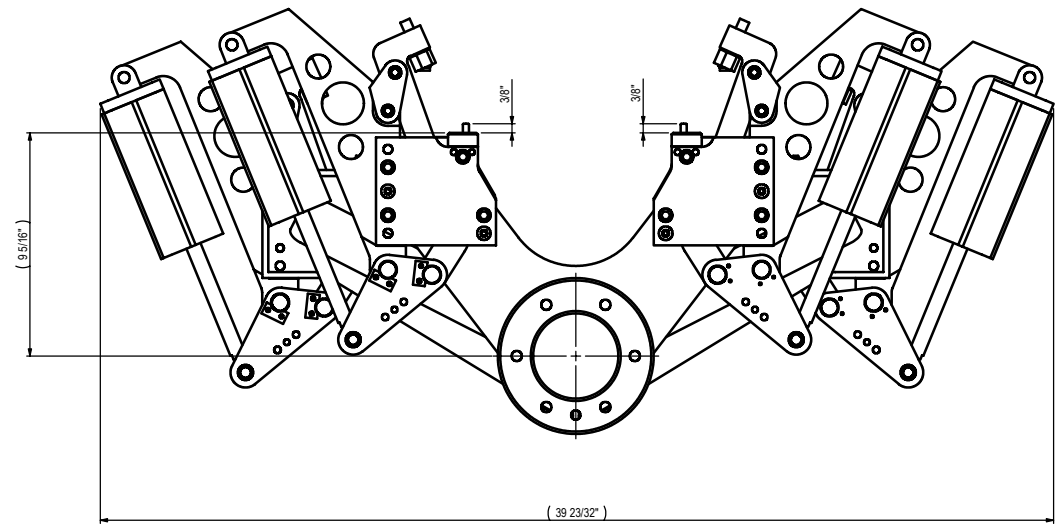
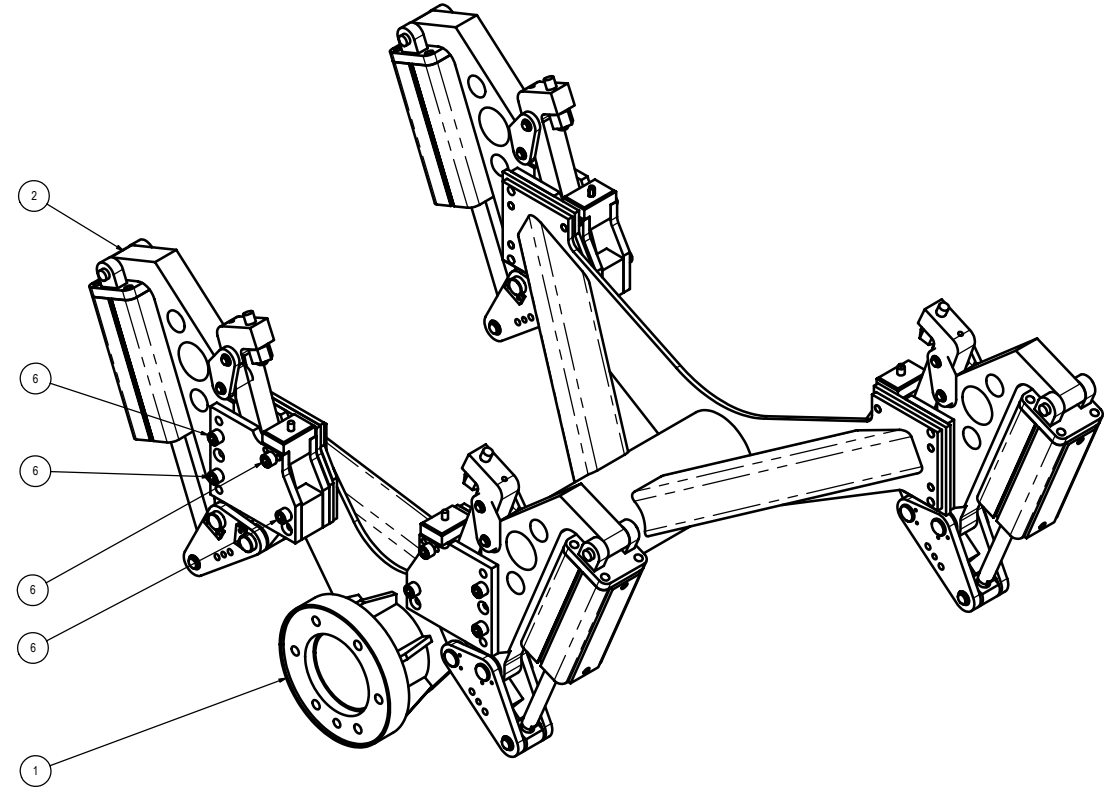
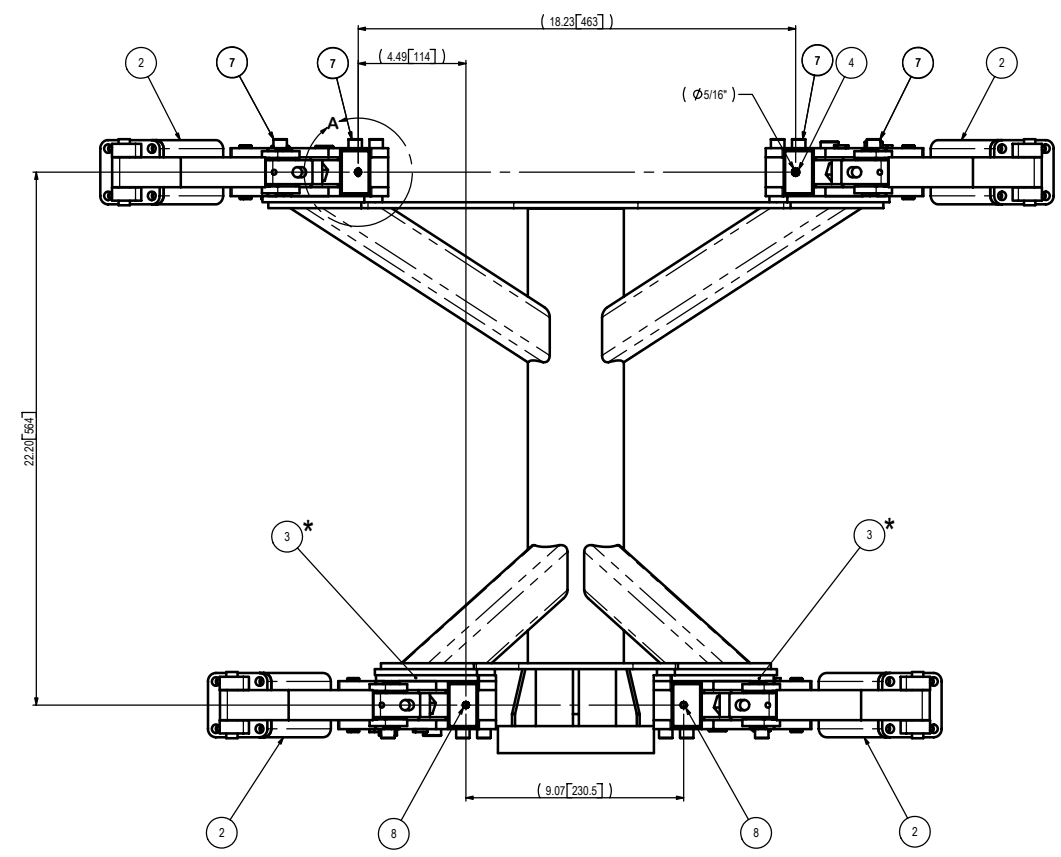


ITEM	QTY	PART NO / CATALOGUE NO	DESCRIPTION	MATERIAL / MANUFACTURER
1	1	AK0002M0010	GRIPPER FRAME	
2	4	AK0002A0002	GRIPPER CLAMP SUB-ASSEMBLY	
3	2	AK0002M0033	SHIM	8061-T6 AL FB
4	1	CL-2-RP	LOC ROUND PIN	CARR-LANE
5	1	CL-2-DPZ	LOC DIAMOND PIN	CARR-LANE
6	8	3/8-16 UNC x 2 3/4	ALLOY STL SHCS GR5	ANY
7	8	3/8-16 UNC x 2 1/2	ALLOY STL SHCS GR5	ANY
8	2	1/4 x 1 L	STL DOWEL PIN	ANY

APPLIED KINETICS STANDARD IS TO INCLUDE FASTENERS WITH BALLONS. CUSTOMER OPTION TO OMIT FASTENER BALLOONS OR FASTENERS AND FASTENER BALLOONS TO SAVE ON PROJECT HOURS



*NOTE:
MACHINE THICKNESS
OF ITEM #3 TO ACHIEVE
PROPER CLAMP ASSEMBLY
ALIGNMENT.

ZONE	REV.	DESCRIPTION	DATE	BY
NOTES				
 THIRD ANGLE PROJECTION		SolidWorks ISO NOT SCALE DRAWING NO MANUAL CHANGES	METRIC REFERENCE DIMENSIONS ARE INDICATED IN SQUARE PARENTHESES (METRIC)	DIMENSIONS SHOWN IN ROUND PARENTHESES ARE FOR REFERENCE ONLY (REF.)
ENGINEER	AKNC			
DRAWN	AKNC			
DATE	2000.08.11			
DWG. SCALE	1:1			
CLIENT	AAA AUTOMATION SERVICES	CUSTOMER	A1 CASTING COMPANY	
CLIENT PROJ. NUM.	1234	PROJECT	BELL HOUSING DEGATE	
HOUSING GRIPPER				
TOTAL QTY.	1	SIZE	D	SHEET 1 OF 1
		APPLIED KINETICS PROJECT CODE	AK0002	DRAWING NUMBER
			A0001	REV. A0

Applied Kinetics
Professional Engineering and Design Services