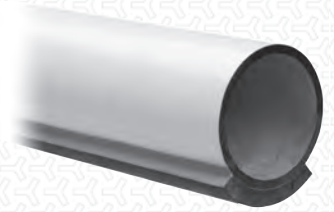
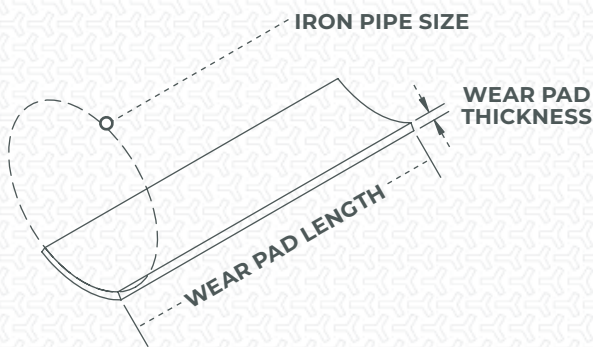


ProTek Composite Wear Pad



ProTek Composite Wear Pads are designed to prevent metal-to-metal contact in piping systems. They effectively isolate the pipe from contact with I-Beams, guides or concrete supports. These areas are the most susceptible to corrosion and cost millions to repair and maintain. Our wear pads are the most cost-effective solution to piping system corrosion.

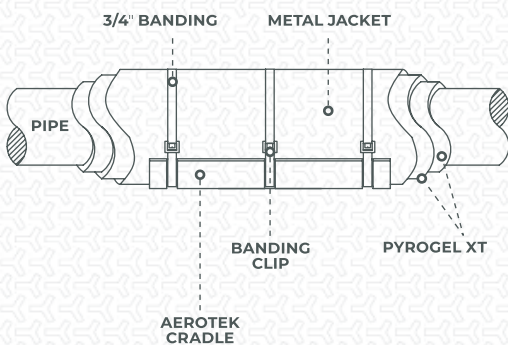


BENEFITS

- » Low cost of installation: no welding, hot work permits or highly skilled personnel required
- » Product minimizes maintenance and operational costs throughout the lifetime of the piping system
- » Wear Pad inside diameter (ID) precisely matches outer diameter of pipe
- » Wear Pad ID is pre-roughened for exceptionally high epoxy-towear pad bonding strengths as verified by ASTM D5528-01
- » APP provides on-site installation training and inspection services for all fabricators, constructors and end users that install our products at no charge

OPTION FOR INSULATED PIPES:

AeroTek Cradle



SPECIFICATIONS

COMPOSITION	APP-VEFR/EFR
MAX COMPRESSIVE STRENGTH	53,000 lbs. per ASTM E8
TEMPERATURE RANGE	-320°F to +400°F
INSTALLATION	EX-100 Epoxy System
REQUIRED ACCESSORIES	Epoxy, static mixing nozzle, manual dualepoxy applicator
CUSTOM MANUFACTURING	Available in any thickness, degrees of coverage and length

TEST DATA

PROPERTY	RESULTS	TEST METHOD
TENSILE (AT BREAK)	10,287 psi	ASTM D638-14
FLEXURAL	17,397 psi	ASTM D790-17, Procedure A, Type 1
COMPRESSION (FAILURE)	115,000	ASTM D695-15
WATER IMMERSION (24 Hours)	0.08%	ASTM D570-10
IZOD IMPACT RESISTANCE	19.7	ASTM D256-10, Method A
BARCOL HARDNESS	69	ASTM D2583-07

PROTEK WEAR PADS			
NPS	Thickness	Degree	Length
1/4"	1/4"	90°	12"
3/4"	1/4"	90°	12"
1"	1/4"	90°	12"
1-1/2"	1/4"	90°	12"
2"	1/4"	90°	12"
2-1/2"	1/4"	90°	12"
3"	1/4"	90°	12"
4"	1/4"	90°	12"
6"	1/4"	60°	12"
8"	1/4"	60°	12"
10"	1/4"	60°	12"
12"	1/4"	30°	12"
14"	1/4"	30°	12"
16"	1/4"	30°	12"
18"	1/4"	30°	12"
20"	1/4"	30°	12"
22"	1/4"	30°	12"
24"	3/8"	30°	12"
30"	3/8"	30°	12"
36"	3/8"	30°	12"

More sizes available upon request