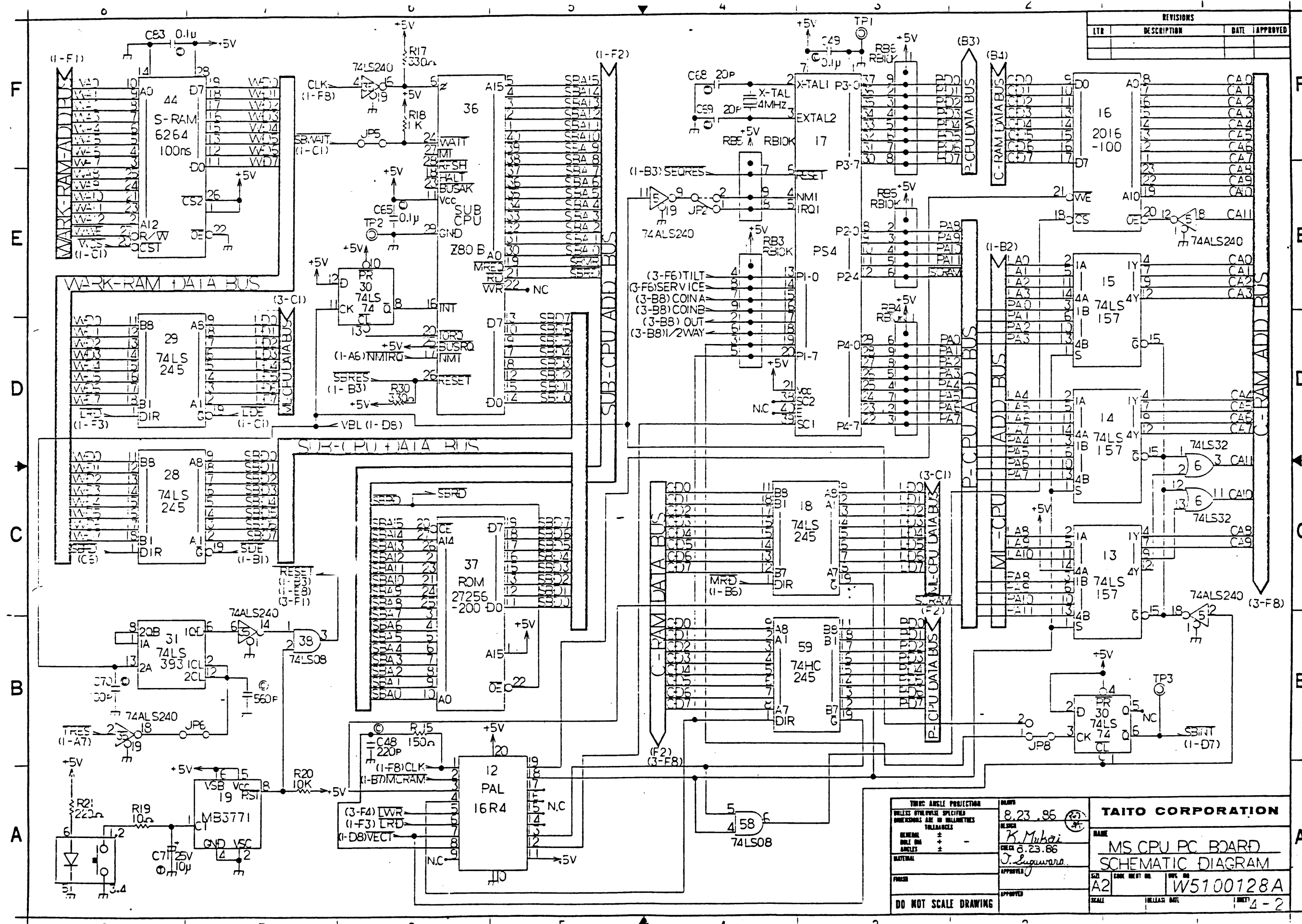


REVISIONS			
LTR	DESCRIPTION	DATE	APPROVED

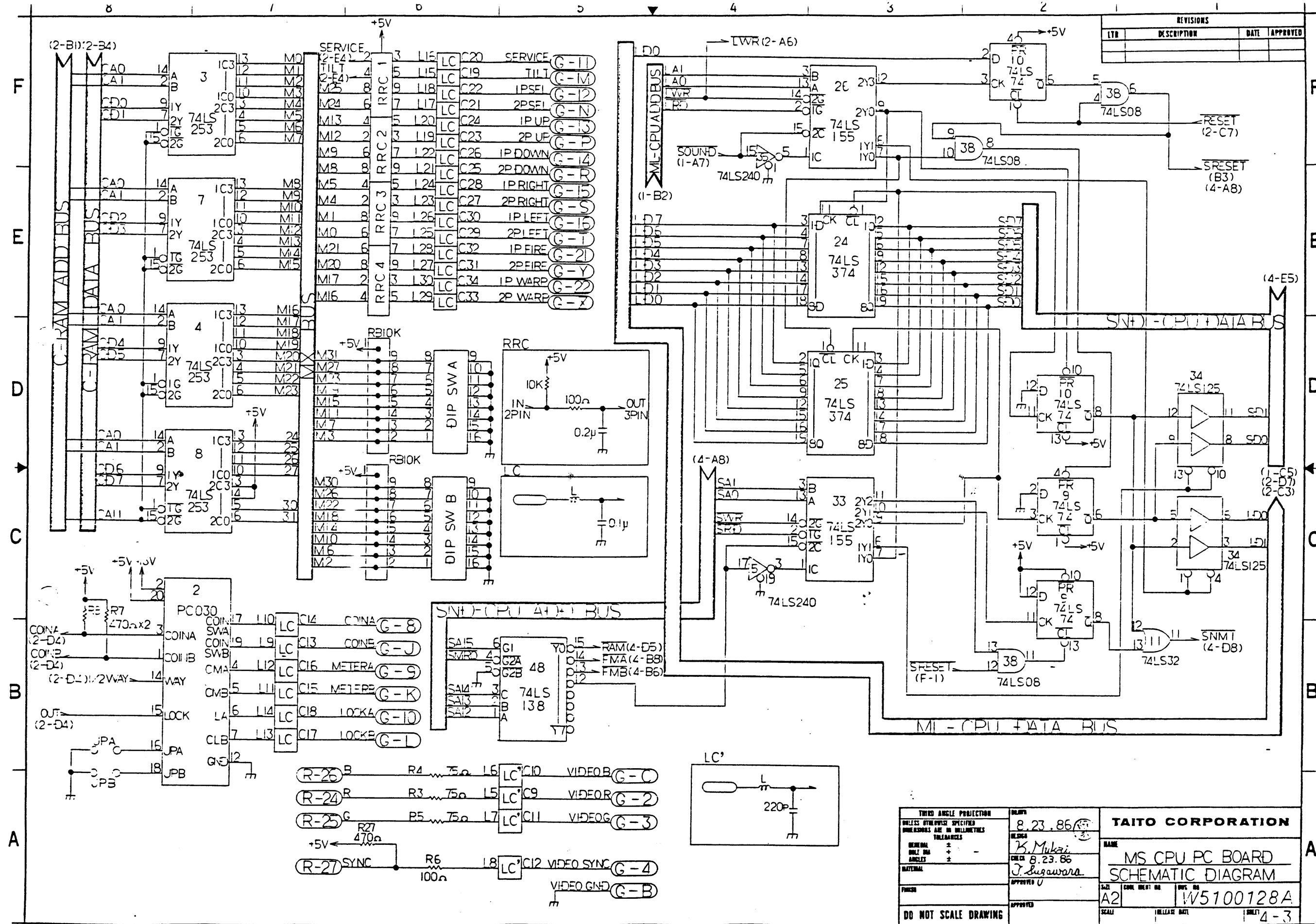
THIRD ANGLE PROJECTION	DATE
DIMENSIONS WITH UNLESS SPECIFIED	8.23.86
UNLESS OTHERWISE SPECIFIED	DESIGN
TOLERANCES	BY K. Maki
GENERAL	DATE 8.23.86
HOLE DIA	BY J. Sugawara
RADIUS	APPROVED
DO NOT SCALE DRAWING	APPROVED

J1100078A	
TAITO CORPORATION	
NAME	
MS CPU PC BOARD	
SCHEMATIC DIAGRAM	
SIZE	DATE
A2	W5100123A
SCALE	RELEASE DATE
	1 SHEET 4-1



REVISIONS			
LT#	DESCRIPTION	DATE	APPROVED

THUMB ANGLE PROJECTION UNLESS OTHERWISE SPECIFIED DIMENSIONS ARE IN MILLIMETERS TOLERANCES GENERAL ± HOLE DIA ± ANGLES ± MATERIAL FINISH DO NOT SCALE DRAWING	DATE 8.23.86 DESIGNED BY K. Mubai CHECKED BY J. Sugawara APPROVED BY APPROVED BY	TAITO CORPORATION NAME MS CPU PC BOARD SCHEMATIC DIAGRAM SIZE A2 SCALE 1:1 SHEET 4-2
--	--	--

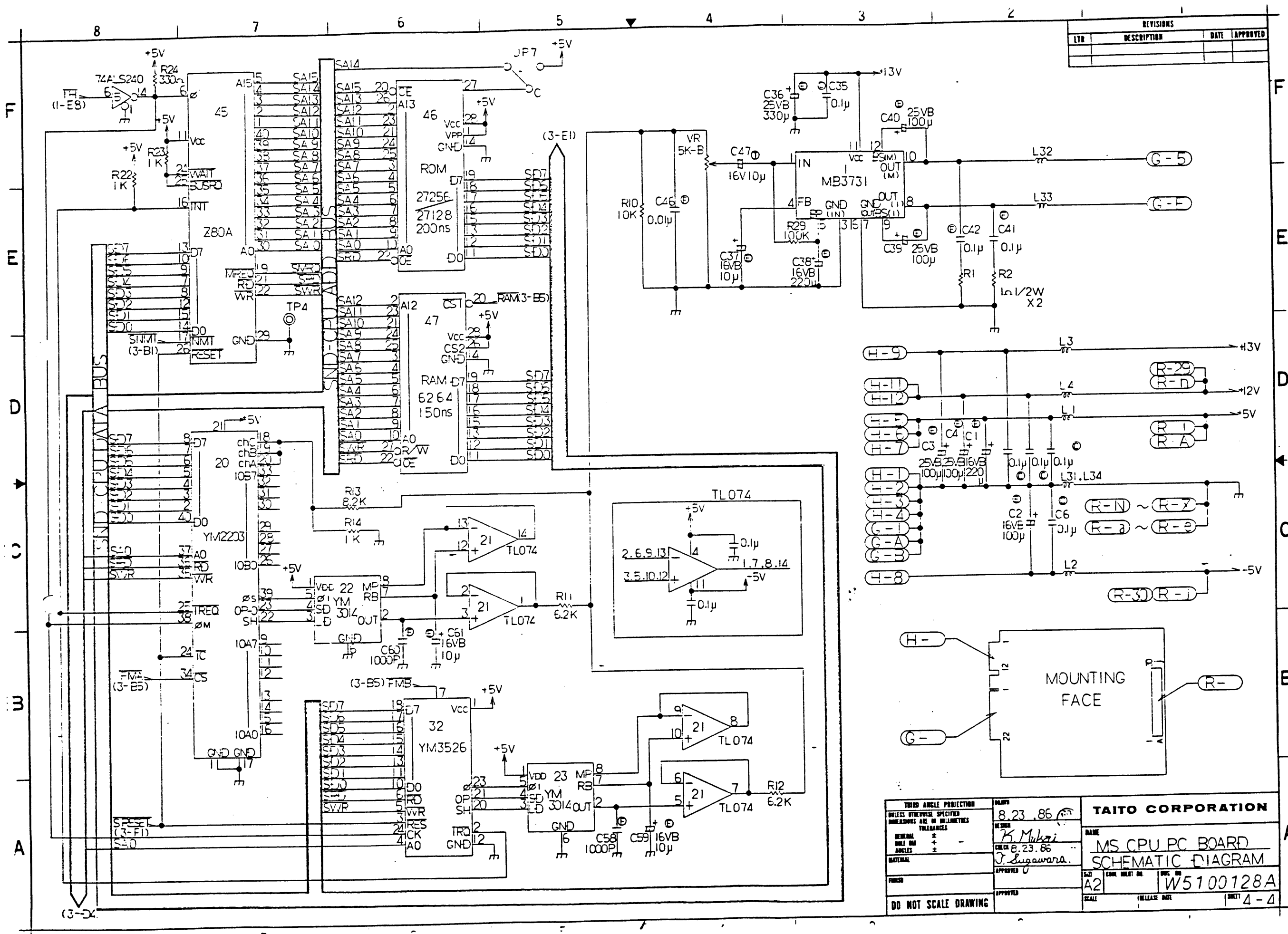


REVISIONS			
LTR	DESCRIPTION	DATE	APPROVED

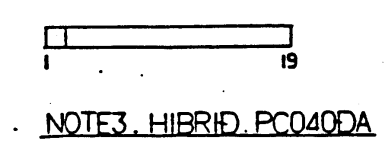
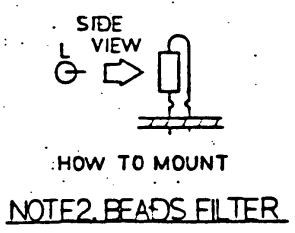
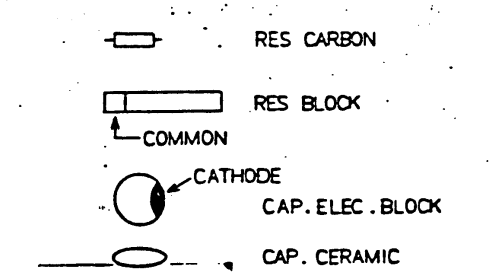
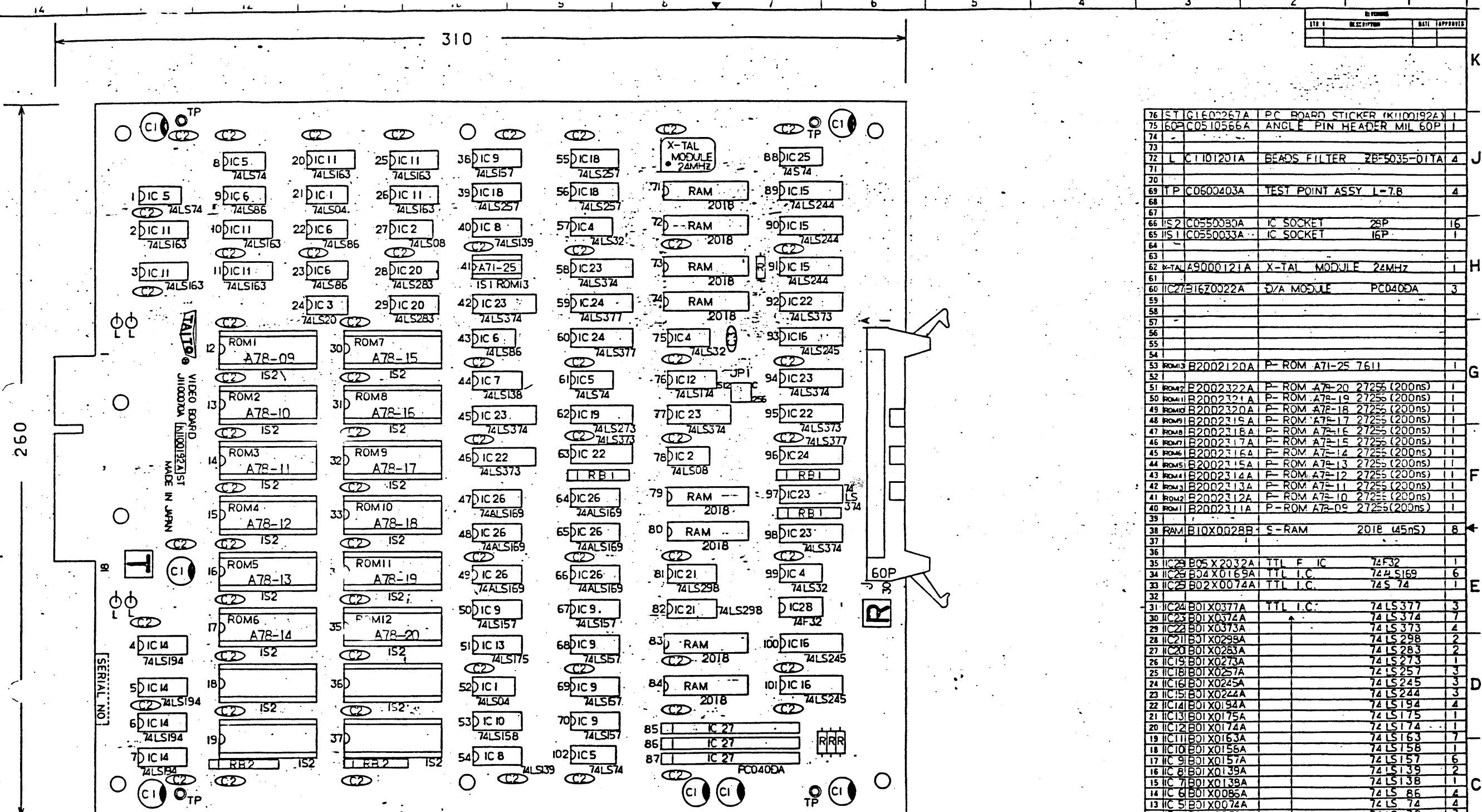
THIRD ANGLE PROJECTION	DATE
UNLESS OTHERWISE SPECIFIED DIMENSIONS ARE IN MILLIMETERS	8.23.86
TOLERANCES	DESIGN
GENERAL	K. Mukai
HOLE DIA	CHECK 8.23.86
ANGLES	J. Sugawara
MATERIAL	APPROVED
FINISH	
DO NOT SCALE DRAWING	

TAITO CORPORATION	
NAME	
MS CPU PC BOARD	
SCHEMATIC DIAGRAM	
SIZE	DATE
A2	W5100128A
SCALE	1/4" = 1"
RELEASE DATE	4-3

REVISIONS			
LYR	DESCRIPTION	DATE	APPROVED



THIRD ANGLE PROJECTION UNLESS OTHERWISE SPECIFIED DIMENSIONS ARE IN MILLIMETRES TOLERANCES	DATE 8.23.86	TAITO CORPORATION	
GENERAL HOLE DIA ANGLES	BY K. Mukari	NAME MS CPU PC BOARD	
MATERIAL	CHECKED J. Sugawara	SCHEMATIC DIAGRAM	
FINISH	APPROVED	SHEET NO. A2	FILE NO. W5100128A
DO NOT SCALE DRAWING	APPROVED	SCALE	RELEASE DATE SHEET 4-4



NOTE1. SYMBOL MARK

NOTE2. BEADS FILTER

NOTE3. HYBRID PC040DA

ITEM NO.	DESCRIPTION	QTY	REMARKS
76	ST GL60257A	PC BOARD STICKER (K1100192A)	1
75	60P C0510566A	ANGLE PIN HEADER MIL 60P	1
74			
73			
72	L C1101201A	BEADS FILTER ZB-5035-01TA	4
71			
70			
69	TP C0600403A	TEST POINT ASSY L-7R	4
68			
67			
66	HS2 C0550030A	IC SOCKET 28P	16
65	HS1 C0550033A	IC SOCKET 16P	1
64			
63			
62	X-TAL A9000121A	X-TAL MODULE 24MHZ	1
61			
60	IC27 B1670022A	D/A MODULE PC040DA	3
59			
58			
57			
56			
55			
54			
53	ROM3 B2002120A	P-ROM A71-25 7611	1
52			
51	ROM2 B2002322A	P-ROM A7R-20 27255 (200ns)	1
50	ROM11 B2002321A	P-ROM A7R-19 27255 (200ns)	1
49	ROM10 B2002320A	P-ROM A7R-18 27255 (200ns)	1
48	ROM9 B2002319A	P-ROM A7R-17 27255 (200ns)	1
47	ROM8 B2002318A	P-ROM A7R-16 27255 (200ns)	1
46	ROM7 B2002317A	P-ROM A7R-15 27255 (200ns)	1
45	ROM6 B2002316A	P-ROM A7R-14 27255 (200ns)	1
44	ROM5 B2002315A	P-ROM A7R-13 27255 (200ns)	1
43	ROM4 B2002314A	P-ROM A7R-12 27255 (200ns)	1
42	ROM3 B2002313A	P-ROM A7R-11 27255 (200ns)	1
41	ROM2 B2002312A	P-ROM A7R-10 27255 (200ns)	1
40	ROM1 B2002311A	P-ROM A7R-09 27255 (200ns)	1
39			
38	RAM B10X0028B	S-RAM 2018 (45nS)	8
37			
36			
35	IC29 B05X2032A	TTL F IC 74F32	1
34	IC28 B04X0169A	TTL I.C. 74LS169	6
33	IC25 B02X0074A	TTL I.C. 74LS74	1
32			
31	IC24 B01X0377A	TTL I.C. 74LS377	3
30	IC23 B01X0374A	74LS374	7
29	IC22 B01X0373A	74LS373	4
28	IC21 B01X0298A	74LS298	2
27	IC20 B01X0263A	74LS263	2
26	IC19 B01X0273A	74LS273	1
25	IC18 B01X0257A	74LS257	3
24	IC16 B01X0245A	74LS245	3
23	IC15 B01X0244A	74LS244	3
22	IC14 B01X0194A	74LS194	4
21	IC13 B01X0175A	74LS175	1
20	IC12 B01X0174A	74LS174	1
19	IC11 B01X0163A	74LS163	7
18	IC10 B01X0156A	74LS158	1
17	IC9 B01X0157A	74LS157	6
16	IC8 B01X0139A	74LS139	2
15	IC7 B01X0138A	74LS138	1
14	IC6 B01X0086A	74LS86	4
13	IC5 B01X0074A	74LS74	4
12	IC4 B01X0032A	74LS32	3
11	IC3 B01X0020A	74LS20	1
10	IC2 B01X0006A	74LS08	2
9	IC1 B01X0004A	TTL I.C. 74LS04	2
8	RB2 A2231069A	RES BLOCK 10K9S	2
7	RB1 A2231065A	RES BLOCK 1K9S	3
6	TR A2000065A	RES CARBON 1K \pm M/W \pm 5%	4
5	IC3 A1200247A	CAP CERAMIC 50V 120p	1
4	IC2 A1200123A	CAP CERAMIC 25V 100000p	160
3	IC1 A1000135A	ELEC BLOCK 16V 220	7
2			
1	J1100070A	VIDEO PCB (260x310)	1

PARTS LIST

TAITO CORPORATION
VIDEO PC BOARD ASSY
K1100192A

