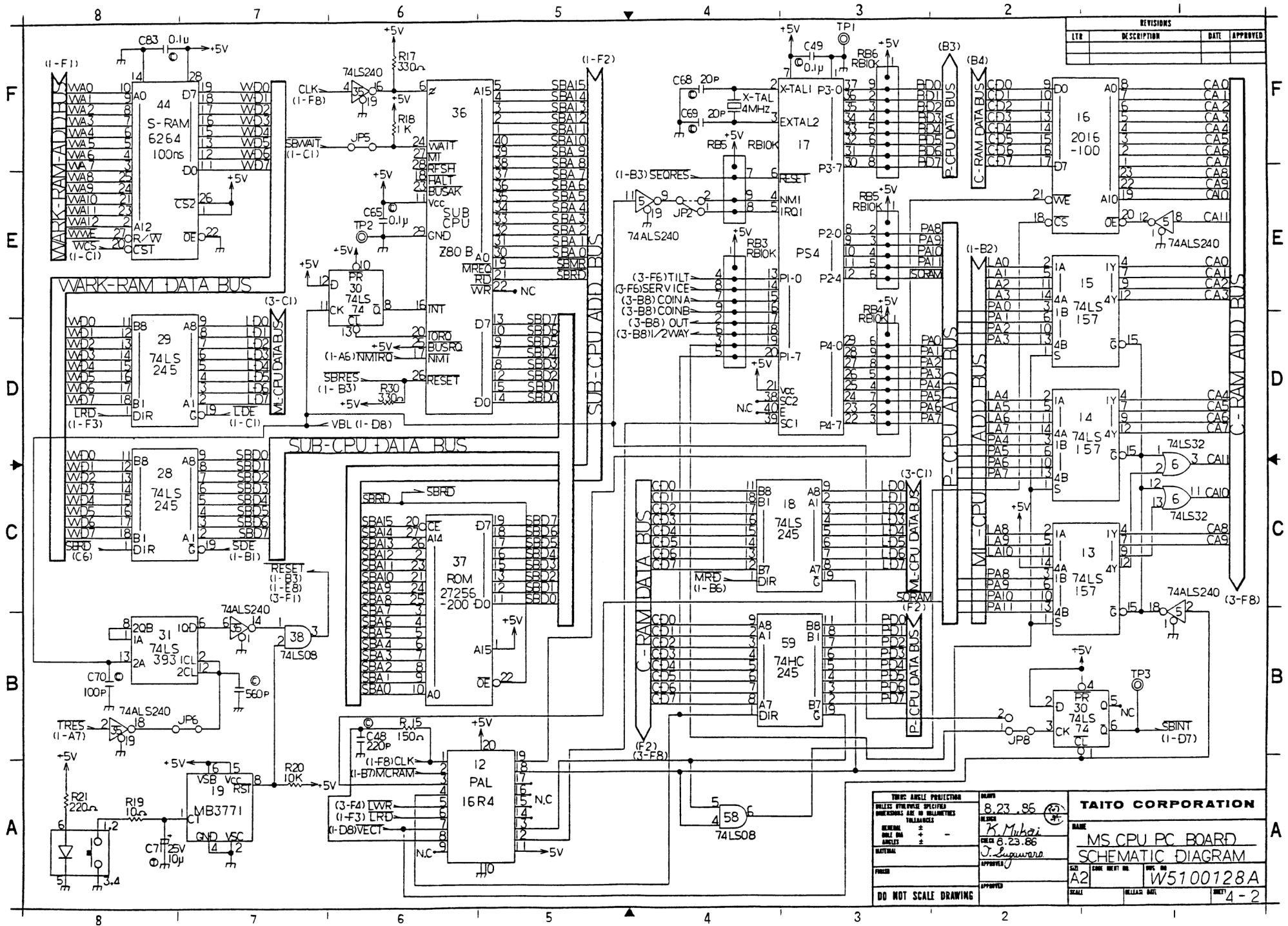


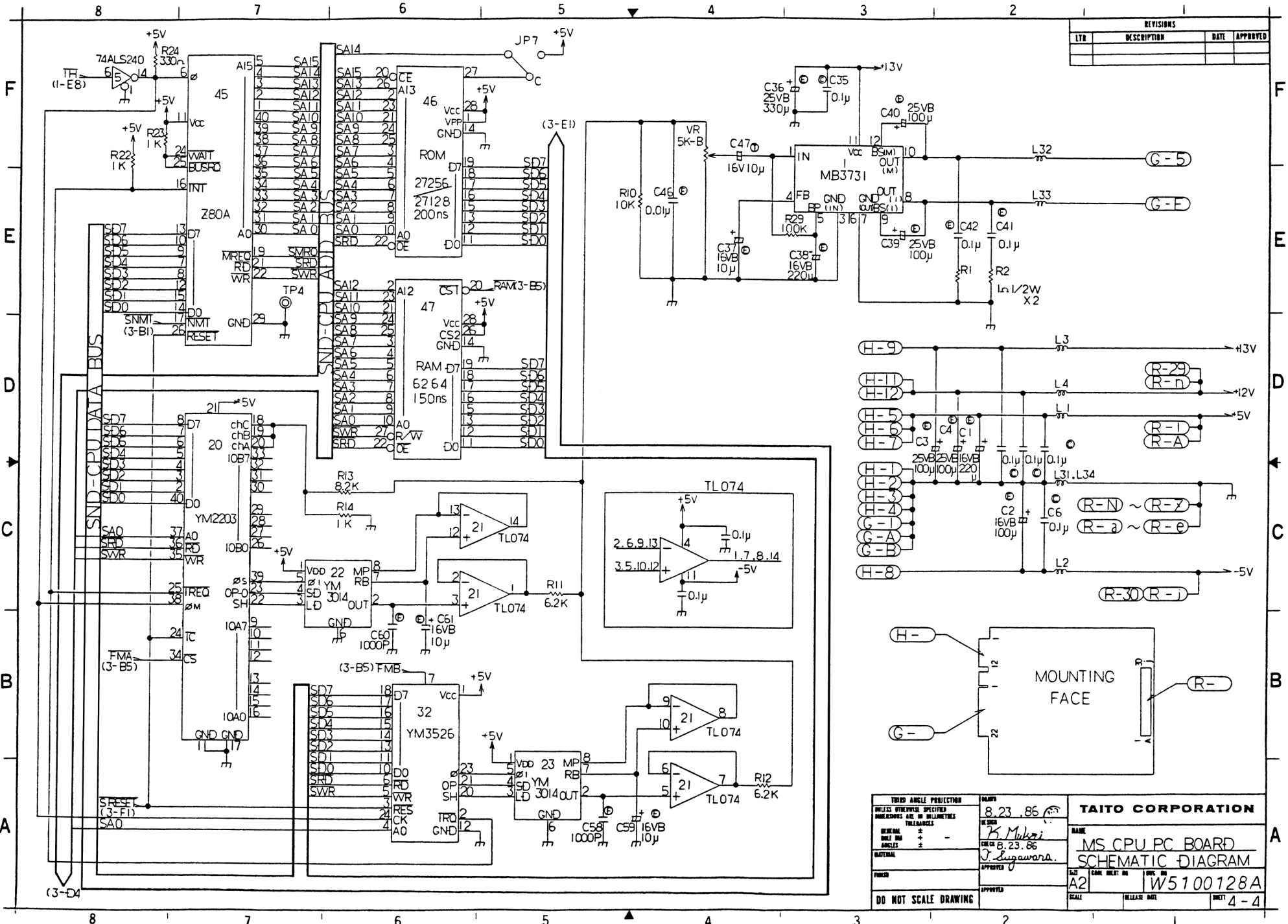
REVISIONS			
LT#	DESCRIPTION	DATE	APPROVED

THIRD ANGLE PROJECTION		DATE	J1100078A	
COLLECT VIEW FIRST SPECIFIED		8.23.86	TAITO CORPORATION	
DIMENSIONS ARE IN MILLIMETERS		DESIGNER	MS CPU PC BOARD	
TOLERANCES		B. Mukzi	SCHEMATIC DIAGRAM	
FRACTIONAL ±		DATE	A2	
DECIMAL ±		8.23.86	W5100128A	
ANGLES ±		APPROVED	SCALE	
MATERIAL		J. Sugawara	SHEET 4-1	
FINISH				
DO NOT SCALE DRAWING				



REVISIONS			
LTR	DESCRIPTION	DATE	APPROVED

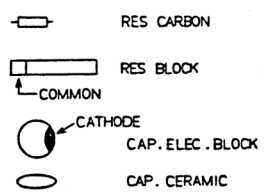
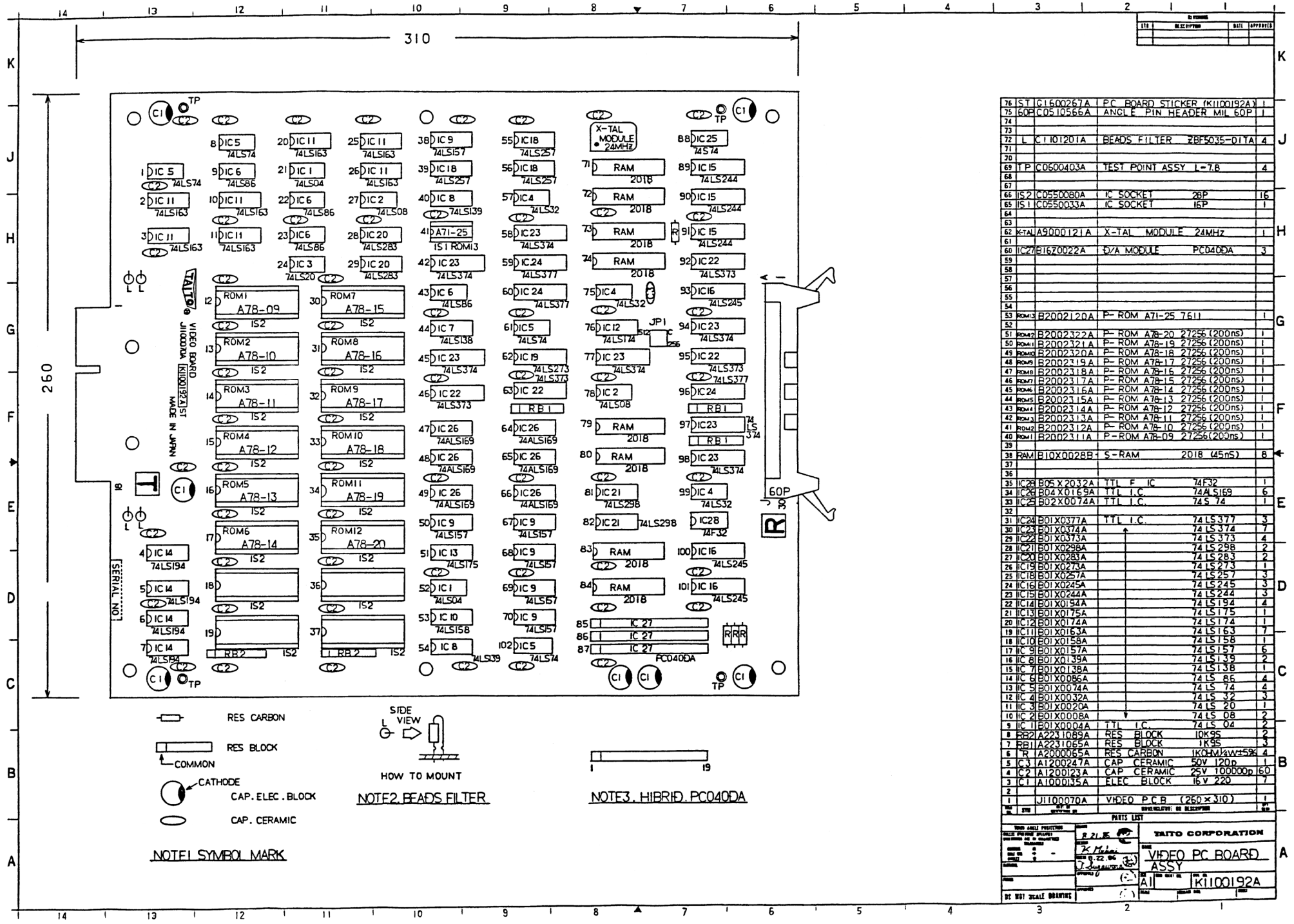
THICK ANGLE PROJECTION UNLESS OTHERWISE SPECIFIED DIMENSIONS ARE IN MILLIMETERS TOLERANCES: GENERAL: ± 0.25 HOLE DIA: ± 0.05 MATERIAL: FINISH: DO NOT SCALE DRAWING	DRAWN: 8.23.85 DESIGNED: K. Mubari CHECKED: 8.23.86 APPROVED: J. Suresh DATE: SCALE: SHEET: 4-2	TAITO CORPORATION NAME: MS CPU PC BOARD SCHEMATIC DIAGRAM FILE NO: W5100128A
---	---	--



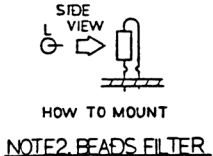
REVISIONS			
LT#	DESCRIPTION	DATE	APPROVED

THIRD ANGLE PROJECTION	DATE
UNLESS OTHERWISE SPECIFIED DIMENSIONS ARE IN MILLIMETERS	8.23.86
TOLERANCES	FRS
GENERAL	K. Miki
ANGLE	8.23.86
MATERIAL	J. Sugawara
DESIGNED BY	
APPROVED BY	
DO NOT SCALE DRAWING	

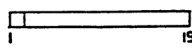
TAITO CORPORATION	
NAME	MS CPU PC BOARD
SCHEMATIC DIAGRAM	
S/D	CHK
A2	W5100128A
SCALE	1/4
ILLUSTR. NO.	
SHIT	4-4



NOTE 1. SYMBOL MARK



NOTE 2. BEADS FILTER

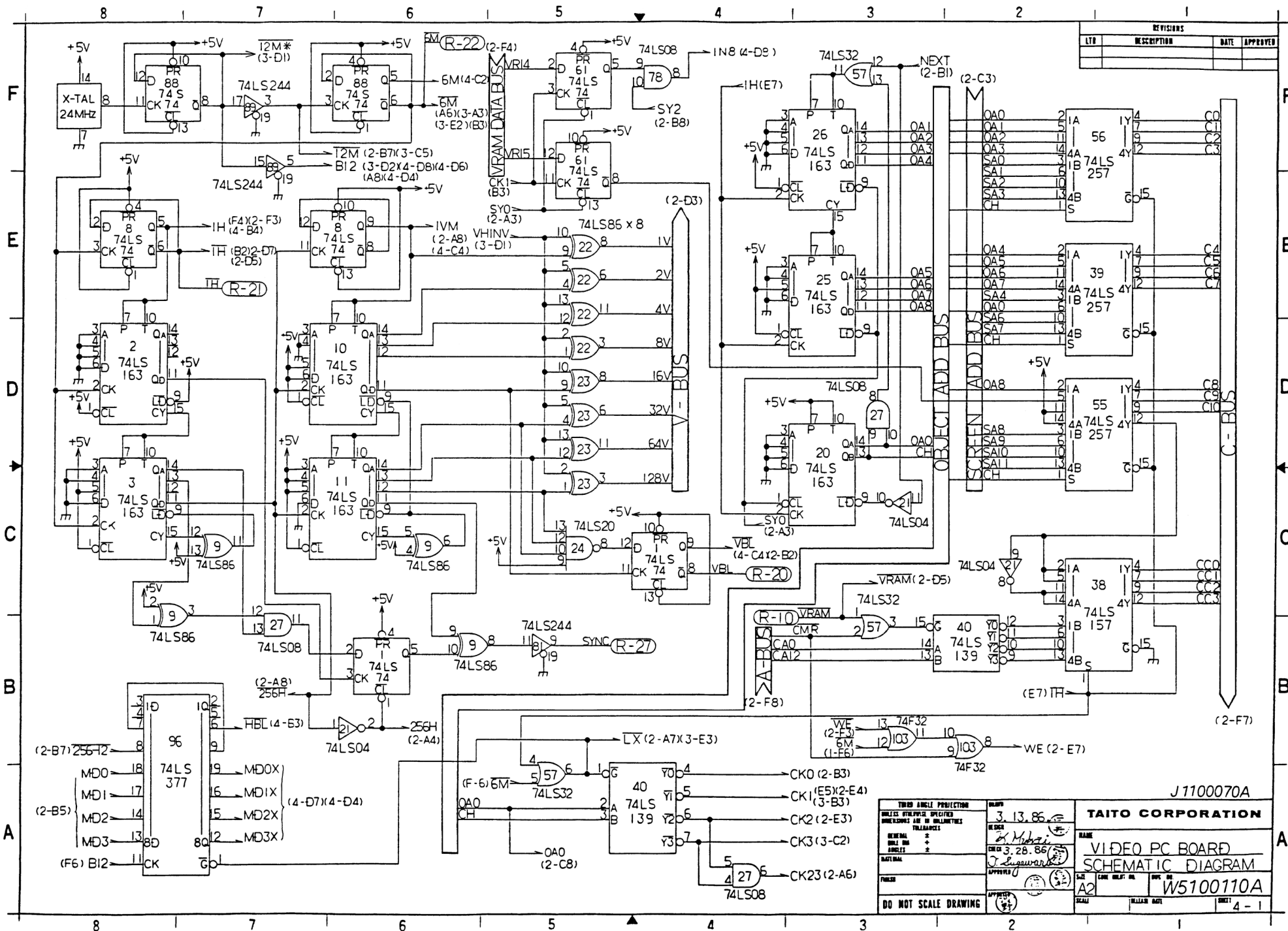


NOTE 3. HYBRID PC040DA

NO.	DESCRIPTION	DATE	APPROVED

76	ST	G1600267A	PC BOARD STICKER (K1100192A)	1
75	60P	C0510565A	ANGLE PIN HEADER MIL 60P	1
74				
73				
72	L	C1101201A	BROADS FILTER ZBF5035-011A	4
71				
70				
69	P	C0500403A	TEST POINT ASSY L-7.8	4
68				
67				
66	IS2	C0550080A	IC SOCKET 28P	16
65	IS1	C0550033A	IC SOCKET 16P	1
64				
63				
62	X-TAL	A9000121A	X-TAL MODULE 24MHZ	1
61	C27	B1670022A	D/A MODULE PC040DA	3
59				
58				
57				
56				
55				
54				
53	ROM3	B2002120A	P-ROM A71-25 7611	1
52				
51	ROM2	B2002322A	P-ROM A78-20 27255 (200ns)	1
50	ROM1	B2002321A	P-ROM A78-19 27255 (200ns)	1
49	ROM4	B2002320A	P-ROM A78-18 27255 (200ns)	1
48	ROM5	B2002319A	P-ROM A78-17 27255 (200ns)	1
47	ROM6	B2002318A	P-ROM A78-16 27255 (200ns)	1
46	ROM7	B2002317A	P-ROM A78-15 27255 (200ns)	1
45	ROM8	B2002316A	P-ROM A78-14 27255 (200ns)	1
44	ROM9	B2002315A	P-ROM A78-13 27255 (200ns)	1
43	ROM10	B2002314A	P-ROM A78-12 27255 (200ns)	1
42	ROM11	B2002313A	P-ROM A78-11 27255 (200ns)	1
41	ROM12	B2002312A	P-ROM A78-10 27255 (200ns)	1
40	ROM11	B2002311A	P-ROM A78-09 27255 (200ns)	1
39				
38	RAM1	B10X0028B	S-RAM 2018 (45ns)	8
37				
36				
35	IC24	B05X2032A	TTL F IC 74F32	1
34	C28	B04X0169A	TTL I.C. 74LS169	6
33	IC23	B02X0074A	TTL I.C. 74S74	1
32				
31	IC24	B01X0377A	TTL I.C. 74LS377	3
30	IC23	B01X0374A	TTL I.C. 74LS374	7
29	IC22	B01X0373A	TTL I.C. 74LS373	4
28	IC21	B01X0298A	TTL I.C. 74LS298	2
27	IC20	B01X0283A	TTL I.C. 74LS283	2
26	IC19	B01X0273A	TTL I.C. 74LS273	1
25	IC18	B01X0257A	TTL I.C. 74LS257	1
24	IC18	B01X0245A	TTL I.C. 74LS245	3
23	IC18	B01X0244A	TTL I.C. 74LS244	3
22	IC14	B01X0194A	TTL I.C. 74LS194	4
21	IC13	B01X0175A	TTL I.C. 74LS175	1
20	IC12	B01X0174A	TTL I.C. 74LS174	1
19	IC11	B01X0163A	TTL I.C. 74LS163	7
18	IC10	B01X0158A	TTL I.C. 74LS158	1
17	IC9	B01X0157A	TTL I.C. 74LS157	6
16	IC8	B01X0139A	TTL I.C. 74LS139	2
15	IC7	B01X0138A	TTL I.C. 74LS138	1
14	IC6	B01X0096A	TTL I.C. 74LS96	4
13	IC5	B01X0074A	TTL I.C. 74LS74	1
12	IC4	B01X0032A	TTL I.C. 74LS32	3
11	IC3	B01X0020A	TTL I.C. 74LS20	1
10	IC2	B01X0008A	TTL I.C. 74LS08	2
9	IC1	B01X0004A	TTL I.C. 74LS04	2
8	RB2	A2231089A	RES BLOCK 10K95	2
7	RB1	A2231065A	RES BLOCK 1K95	3
6	R	A2000065A	RES CARBON 1K0M/MW±5%	4
5	C1	A120027A	CAP CERAMIC 50V 100P	1
4	C2	A1200123A	CAP CERAMIC 50V 100000P	60
3	CT	A1000135A	FLC BLOCK 16V 220	1
2				
1	J1	J1100070A	VIDEO P.C.B (260x310)	1

DATE: 8/22/86
 DRAWN BY: [Signature]
 CHECKED BY: [Signature]
 TAITO CORPORATION
 VIDEO PC BOARD ASSY
 K1100192A



REVISIONS			
LT#	DESCRIPTION	DATE	APPROVED

TIMED ANGLE PROJECTION DIMENSIONS UNLESS SPECIFIED DIMENSIONS ARE IN MILLIMETERS TOLERANCES FINISHES MATERIAL FINISH DO NOT SCALE DRAWING	DATE 3.13.86 DESIGNED BY CHECKED BY APPROVED BY (Signature)
--	--

J1100070A	
TAITO CORPORATION	
NAME VIDEO PC BOARD	
SCHEMATIC DIAGRAM	
DATE A2	REV. NO. W5100110A
SCALE	SHEET 4-1

