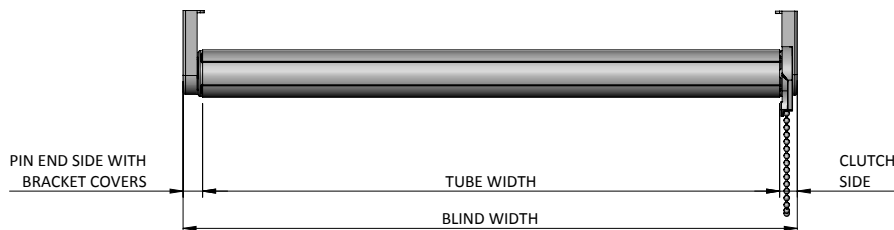


SPECIFICATIONS

DEDUCTION TABLE



CLUTCH	CLUTCH SIDE	PIN END	RB360/ RB380		RB360/ RB380/ RB390		RB560		RB580/ RB590		RBGAL		ADAPTERS	
			BRACKET COVER	CLUTCH SIDE	PIN END	CLUTCH SIDE	PIN END	CLUTCH SIDE	PIN END	CLUTCH SIDE	PIN END	CLUTCH SIDE	PIN END	RA2xx
R3/R8	0.44" [12mm]	0.16" [5mm]	0.16" [5mm]	0.08" [3mm]	0.44" [12mm]	-	-	-	-	-	-	-	-	-
R16	0.53" [14mm]	0.16" [5mm]	-	-	-	0.08" [3mm]	0.44" [12mm]	0.08" [3mm]	0.43" [11mm]	0.13" [4mm]	0.46" [12mm]	0" [0mm]	-	
R24	0.52" [14mm]	0.16" [5mm]	-	-	-	-	-	0.08" [3mm]	0.43" [11mm]	0.13" [4mm]	0.46" [12mm]	0" [0mm]	-	
RGAL	0.56" [15mm]	0.16" [5mm]	-	-	-	0.08" [3mm]	0.44" [12mm]	0.08" [3mm]	0.43" [11mm]	0.13" [4mm]	0.46" [12mm]	0" [0mm]	0.03" [1mm]	
RGAL400	0.5" [13mm]	0.16" [5mm]	-	-	-	-	-	0.08" [3mm]	0.43" [11mm]	0.13" [4mm]	0.46" [12mm]	0" [0mm]	0.03" [1mm]	

MAX HOLD CAPACITY

CLUTCH	LOAD	TUBE	CORD or BEAD CHAIN
R3	3.4 Lbs (1.5kg)	1" [25mm]	Both
R3	3 Lbs (1.4kg)	1-1/8" [28mm]	Both
R8	8 Lbs (3.6kg)	1-1/8" [28mm]	Both
R8	7.2 Lbs (3.3kg)	1-1/4" [32mm]	Both
R8	6 Lbs (2.7kg)	1-1/2" [38mm]	Both
R16	16 Lbs (7.3kg)	1-1/2" [38mm]	Bead
R16	12 Lbs (5.5kg)	2" [50mm]	Bead
R24	24 Lbs (10.9kg)	1-1/2" [38mm]	Bead
R24	18 Lbs (8.2kg)	2" [50mm]	Bead
G200	24 Lbs (10.9kg)	1-1/2" [38mm]	Bead
G200	18 Lbs (8.2kg)	2" [50mm]	Bead
G200	14.4 Lbs (6.5kg)	2-1/2" [63mm]	Bead
G400	40 Lbs (18.2kg)	2" [50mm]	Bead
G400	32 Lbs (14.5kg)	2-1/2" [63mm]	Bead
G400	25 Lbs (11.4kg)	3-1/4" [83mm]	Bead

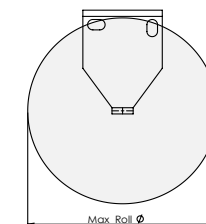
Please note that the loads are max loads for clutches. Max loads will not produce comfortable pull forces.

TUBE ADAPTER COMPATIBILITY CHART

CLUTCH/ TUBE	1" [25mm]	1-1/8" [28mm]	1-1/4" [32mm]	1-1/2" [38mm]	2" [50mm]	2-1/2" [63mm]	3-1/4" [83mm]
R3	Compatible	Compatible	-	-	-	-	-
R8	Compatible	Compatible	Compatible	Compatible	-	-	-
R16	-	-	-	Compatible	RA2	-	-
R24	-	-	-	Compatible	RA2	-	-
G200	-	-	-	Compatible	RA2	RA25	-
G400	-	-	-	Compatible	RA2	RA25	RA25

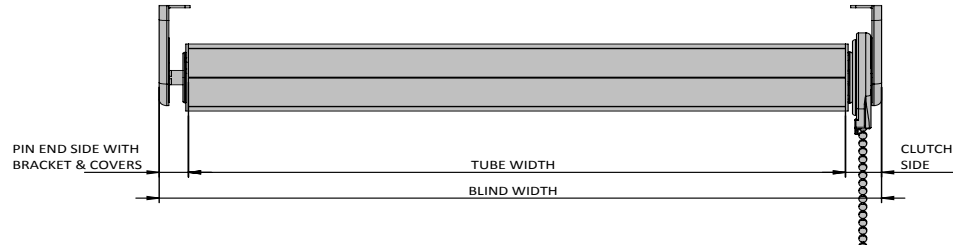
MAX ROLL

BRACKET	MAX ROLL SIZE	R3-R8	R16	R24	G200	G400
RB360	2.75" [69mm]	Compatible	-	-	-	-
RB380	3.65" [92mm]	Compatible	-	-	-	-
RB390	4" [101mm]	Compatible	-	-	-	-
RB560	3" [76mm]	-	Compatible	-	Compatible	-
RB580	4" [101mm]	-	Compatible	Compatible	Compatible	Compatible
RB590	5.5" [139mm]	-	Compatible	Compatible	Compatible	Compatible
RBGAL	4" [101mm]	-	Compatible	Compatible	Compatible	Compatible



SPECIFICATIONS

DEDUCTION TABLE



	PIN ENDS			PER COVER	PER BRACKET		ADAPTERS		
	CLUTCH SIDE	PIN END SIDE	HD PIN END	BRACKET COVER	SLB6xxxx	SLNB6xxxx	SLA4xxx	RA25xx	Other*
SL5/SL20	.45" [12mm]	.30" [8mm]	.33" [9mm]	.7" [2mm]	.19" [5mm]	.18" [5mm]	.06" [2mm]	.03" [1mm]	.00" [0mm]
SL10/SL15	.38" [10mm]	.30" [8mm]	.33" [9mm]	.7" [2mm]	.19" [5mm]	.18" [5mm]	.06" [2mm]	.03" [1mm]	.00" [0mm]
SL30	.50" [13mm]	.30" [8mm]	.33" [9mm]	.7" [2mm]	.19" [5mm]	.18" [5mm]	.06" [2mm]	.03" [1mm]	.00" [0mm]
G200	.56" [15mm]	.30" [8mm]	.33" [9mm]	.7" [2mm]	.19" [5mm]	.18" [5mm]	.06" [2mm]	.03" [1mm]	.00" [0mm]
G400	.50" [13mm]	.30" [8mm]	.33" [9mm]	.7" [2mm]	.19" [5mm]	.18" [5mm]	.06" [2mm]	.03" [1mm]	.00" [0mm]

These deductions allow an easy and quick installation (instal the pin end first, then the clutch side)

*All other adapters require no further deductions

MAX HOLD CAPACITY

CLUTCH	LOAD	TUBE	CORD or BEAD CHAIN
SL5	5.6lbs (2.5kg)	1" [25mm]	Both
SL10	11 lbs (5.0kg)	1½" [28mm]	Both
SL15	16.5 lbs (7.5kg)	1½" [28mm]	Both
SL15	12 lbs (5.5kg)	1½" [38mm]	Both
SL20	20 lbs (9.1kg)	1½" [38mm]	Bead
SL20	15 lbs (6.8kg)	2" [50mm]	Bead
SL30	22 lbs (10.0kg)	2" [50mm]	Bead
SL30	18 lbs (8.2kg)	2½" [63mm]	Bead
SL30	14.4 lbs (6.5kg)	3¼" [83mm]	Bead
G200	24 lbs (10.9kg)	1½" [38mm]	Bead
G200	18 lbs (8.2kg)	2" [50mm]	Bead
G200	14.4 lbs (6.5kg)	2½" [63mm]	Bead
G400	40 lbs (18.2kg)	2" [50mm]	Bead
G400	32 lbs (14.5kg)	2½" [63mm]	Bead
G400	25lbs (11.4kg)	3¼" [83mm]	Bead

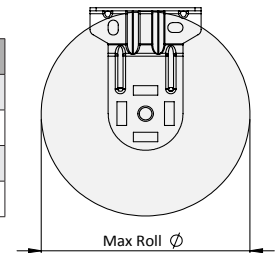
Please note that the loads are max loads for clutches. Max loads will not produce comfortable pull forces.

TUBE ADAPTER COMPATIBILITY CHART

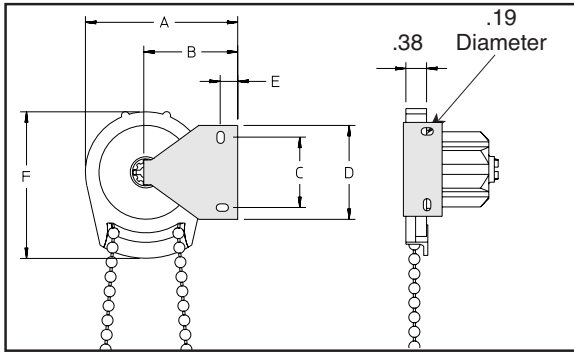
CLUTCH/TUBE	1" [25mm]	1-1/8" [28mm]	1-1/4" [32mm]	1-1/2" [40mm]	43mm	1-1/2" [38mm]	2" [50mm]	2-1/2" [63mm]	3-1/4" [83mm]
SL5/SL10	Compatible	Compatible	SLA03x	SLA04x	SLA43x	SLA53x	-	-	-
SL15	-	Compatible	SLA03x	SLA04x	SLA43x	SLA53x	-	-	-
SL20/G200	-	-	-	-	-	Compatible	RA2	RA25	-
SL30/G400	-	-	-	-	-	Compatible	RA2	RA25	RA25

MAX ROLL

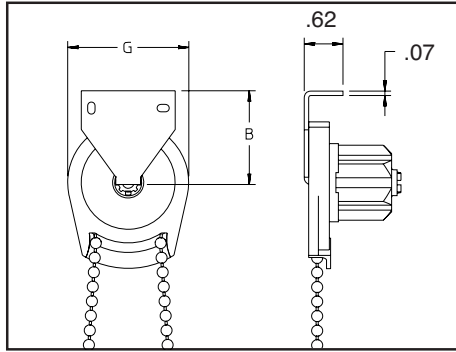
BRACKET	MAX ROLL SIZE	SL5/SL10	SL15/SL20/G200	SL30/G400
SLNBxx650xx	2.35" [59.0mm]	Compatible	-	-
SLxx660xx	3" [76.2mm]	Compatible	Compatible	-
SLxx680xx	4" [101.6mm]	Compatible	Compatible	Compatible
SLxx690xx	5" [127.5mm]	Compatible	Compatible	Compatible



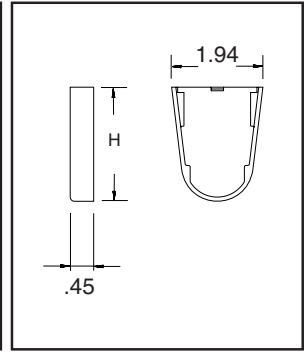
R-Series Hardware Measurements



WALL or INSIDE MOUNT

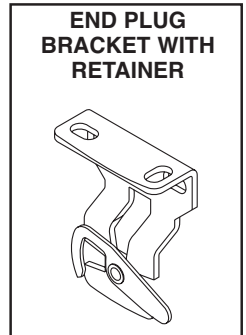
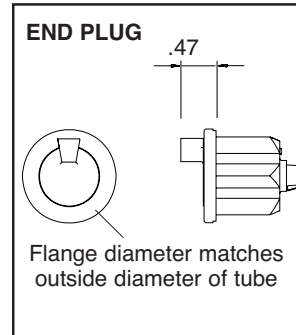


CEILING MOUNT



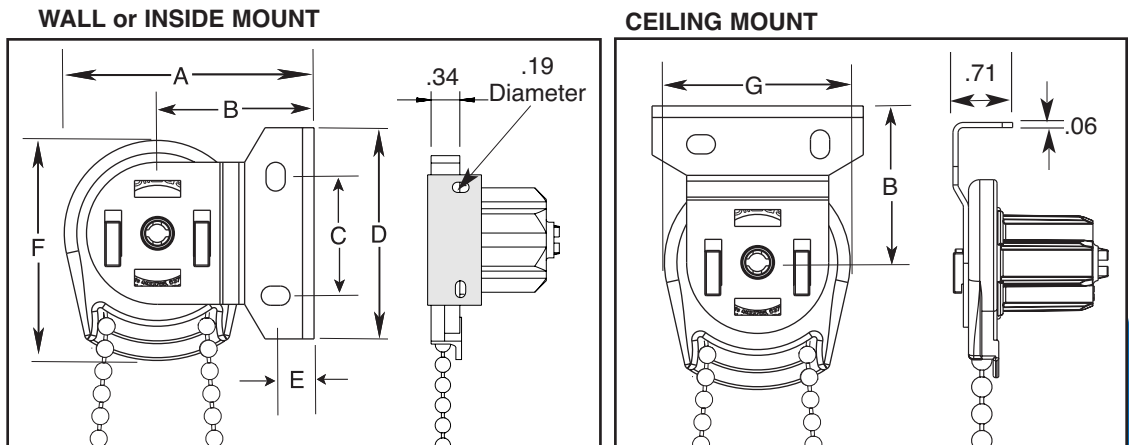
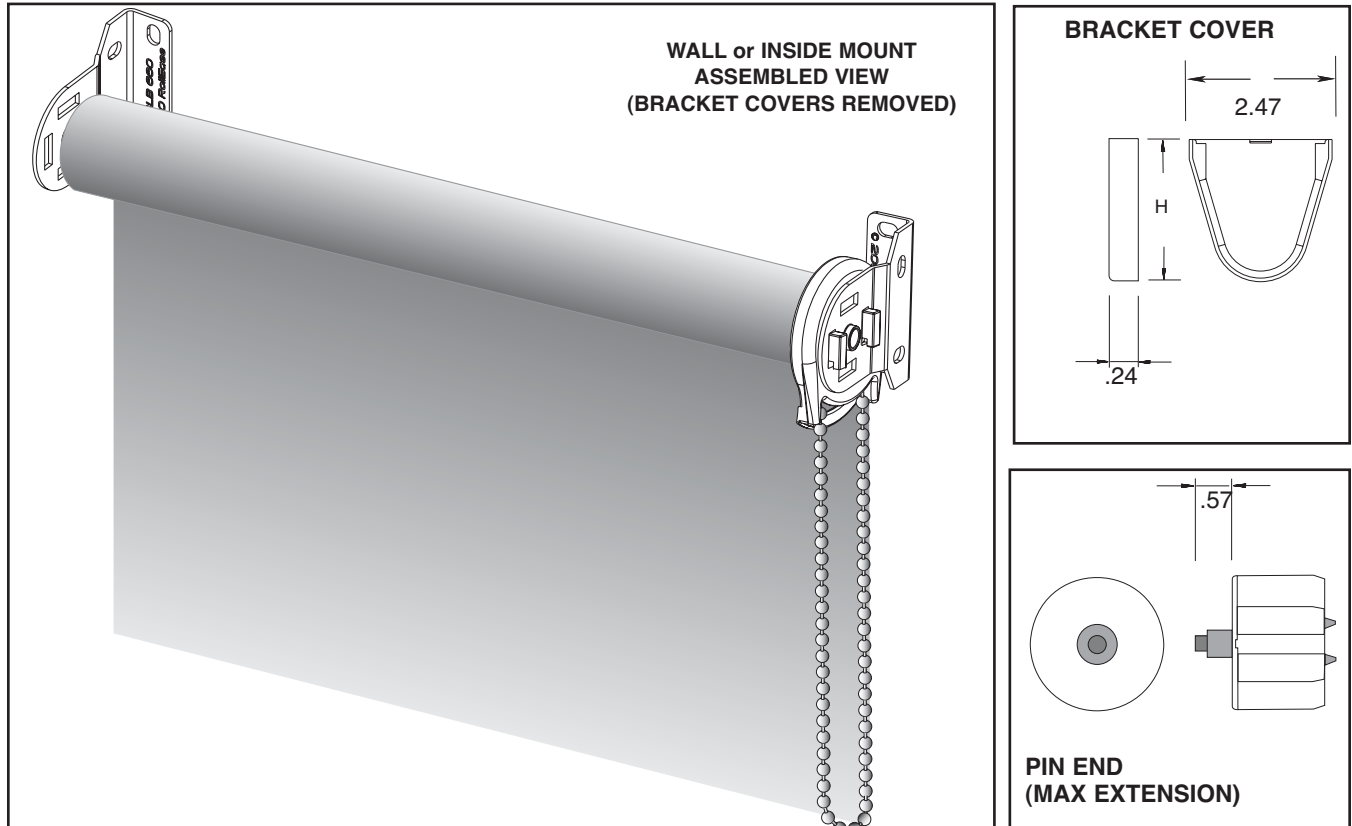
BRACKET COVER

CLUTCH MODEL	BRACKET MODEL	A	B	C	D	E	F	G	H
R3	360	2.24	1.5	1.06	1.5	0.28	1.82	1.48	2.19
	380	2.74	2.0	1.06	1.5	0.28	1.82	1.48	2.70
R8	360	2.48	1.5	1.06	1.5	0.28	2.35	1.95	2.19
	380	2.98	2.0	1.06	1.5	0.28	2.35	1.95	2.70
R16	560	2.95	1.62	2.0	2.5	0.31	3.21	2.65	N/A
	580	3.45	2.12	2.0	2.5	0.30	3.21	2.65	N/A
	RBGAL	3.56	2.25	1.75	3.0	0.60	3.21	2.65	N/A
R24 & SA24	580	3.91	2.12	2.0	2.5	0.31	4.29	3.58	N/A
	RBGAL	3.56	2.25	1.75	3.0	0.60	3.21	2.65	N/A



All dimensions in inches, see decimal/fraction/metric conversion chart in this section

Skyline Component Dimensions



LIGHT GAP (DEDUCTIONS)

Clutch/Bkt	Pin End/Bkt	TOTAL
SL-5	+	=
SL-10	0.62 +	0.45 = 1.07
SL-15	0.62 +	0.45 = 1.07
SL-20	0.63 +	0.54 = 1.17
SL-30	0.63 +	0.54 = 1.17

CLUTCH MODEL	BRACKET PART NO.	A	B	C	D	E	F	G	H
SL-5	SLB660	2.37	1.60	1.25	2.20	0.34	1.74	1.46	2.47
SL-10	SLB660	2.60	1.60	1.25	2.20	0.34	2.30	1.94	2.47
SL-15	SLB660	2.74	1.60	1.25	2.20	0.34	2.60	2.27	2.47
SL-20	SLB660	2.98	1.60	1.25	2.20	0.34	3.06	2.67	2.47
SL-30	SLB680	3.93	2.14	1.25	2.20	0.42	4.30	3.58	3.00

Assumes half compression on pin end side

Dimensions in inches
(see conversion chart for metric or fractions)

TECHNICAL

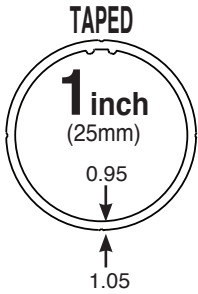
ROLLEASE ACMEDA

SKYLINE & R-SERIES MAX ROLL DIAMETER

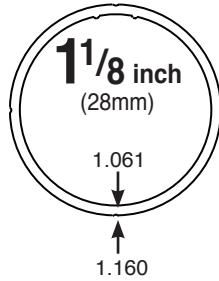
For more information, please reference our Quick Reference Guides or our Installation Instructions to ensure the best quality of system operation.

MAXIMUM ROLL DIAMETER BY BRACKET

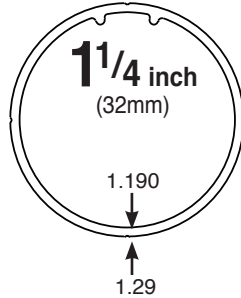
SKYLINE	SLB660	3.00"	76.20 mm
	SLB680R	4.00"	101.60 mm
	SLB690R	5.00"	127.50 mm
	SLNB650	2.35"	59.00 mm
	SLNB660	3.00"	76.20 mm
	SLNB680	4.00"	101.60 mm
	SLNB690	5.00"	127.5 mm
	SLB660DBH Skyline Horizontal Dual Bracket	3.00"	76.20 mm
	SLB660DBV Skyline Vertical Dual Bracket	3.00"	76.20 mm
	SLDB32 Skyline RV Dual Bracket	2.00"	50.80 mm
	SLDB38 Skyline Universal Dual Bracket	2.39"	60.00 mm
	SLDB48 Skyline Universal Dual Bracket	2.70"	68.00 mm
	RB18-1001-xxx000 Double V Slim Bracket	2.56"	65.00 mm
SKYLINE FASCIA	Skyline 3" Fascia Bracket SLFBKT3	2.75"	70.00 mm
	Skyline 4" Fascia Bracket SLFBKT4	3.75"	95.00 mm
	Skyline 5" Fascia Base Bracket with SL Insert RE0020202 Dual	2.75"	70.00 mm
	Skyline 5" Fascia Base Bracket with SL Insert RE0020202 Single	4.75"	120.70 mm
SKYLINE CASSETTE	Skyline Cassette 80 Bracket CRUSLB	1.63"	41.00 mm
	Skyline Cassette 120 Bracket CRUSLB660	2.87"	73.00 mm
	Skyline Cassette 120 Bracket CRUSLB680	2.87"	73.00 mm
R-SERIES	R-Series R3-R8 Brackets RB360 / RSLB360	2.75"	70.00 mm
	R-Series R3-R8 Brackets RB380 / RSLB380	3.65"	92.00 mm
	R-Series R3-R8 Brackets RB390	4.00"	101.60 mm
	R-Series R16 RB560 / RSLB560	3.00"	76.00 mm
	R-Series R16-R24 Brackets RB580 / RSLB580	4.00"	101.60 mm
	R-Series R16-R24 Brackets RB590	5.50"	139.70 mm
	R-Series Heavy Duty Brackets RBGAL	4.00"	101.60 mm
R-SERIES CASSETTE	R-Series Cassette 80 Bracket CRUBKT	1.63"	41.00 mm
	R-Series Cassette 120 Bracket CRUBKT53	2.87"	73.00 mm
	R-Series Cassette 120 Bracket CRUBKT53L	2.87"	73.00 mm



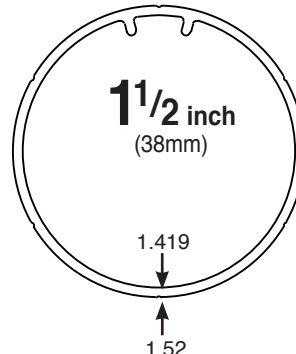
RTEA1T



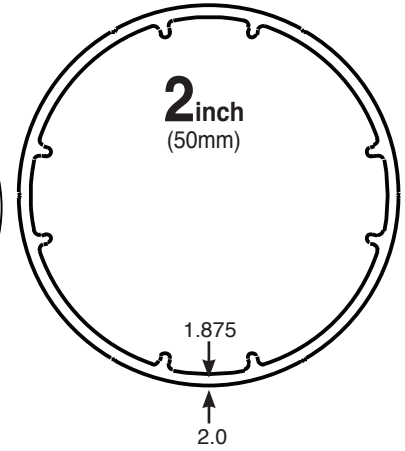
RTEA2T



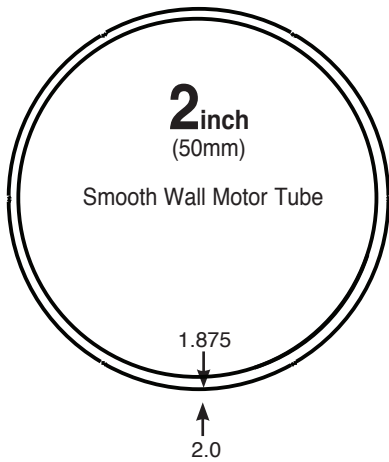
RTEA3T



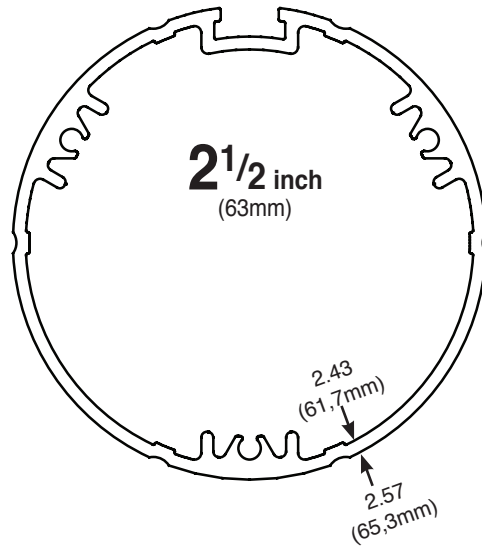
RTEA4T



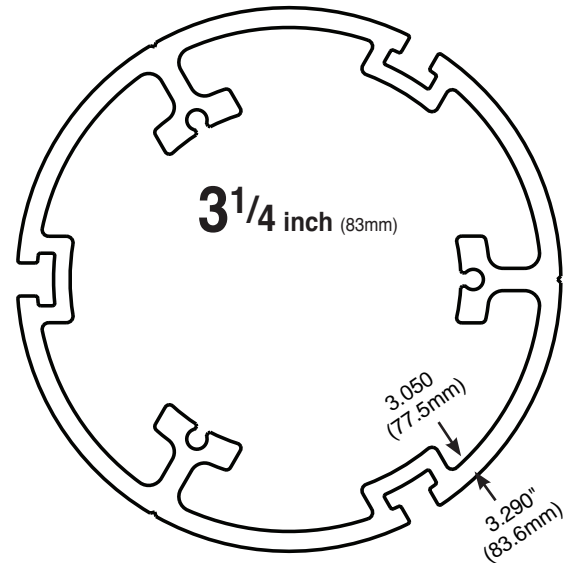
RTEA5T



RTEASW5T



RTEA6T



RTEA7T

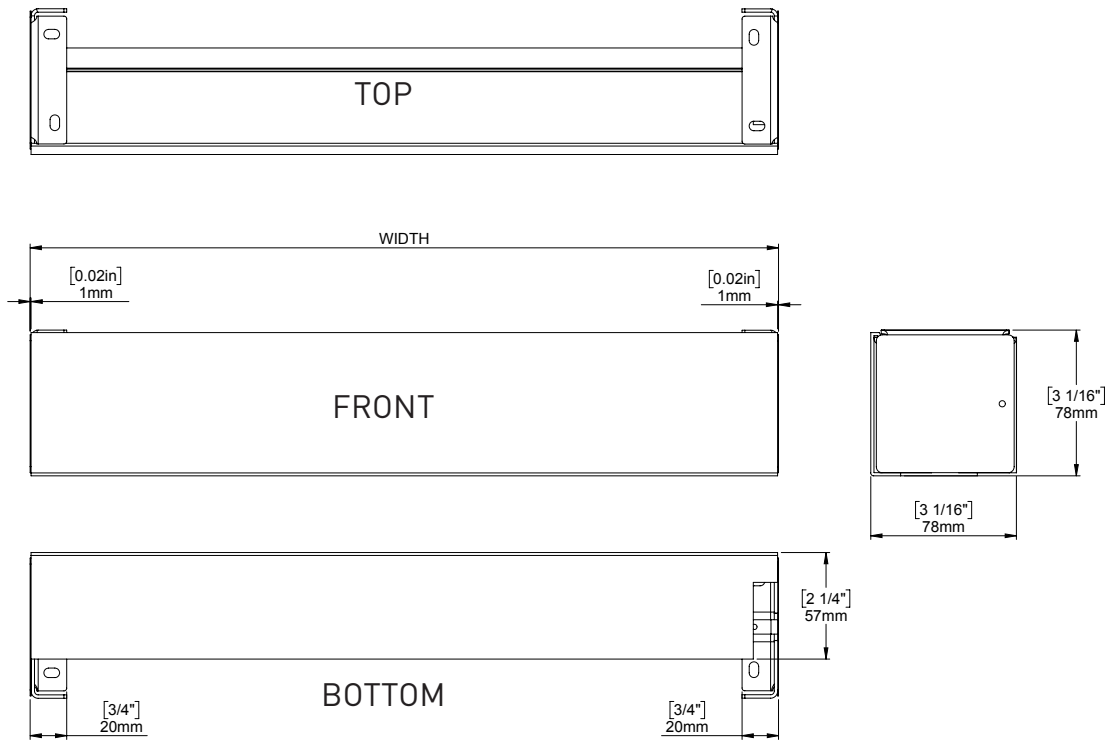
RollEase Headquarters
200 Harvard Avenue
Stamford, CT 06902-6320 USA
Office: 203.964.1573 / 800.552.5100
Fax: 203.964.0513 Order Fax: 203.358.5865
www.rollease.com

RollEase Distribution Center
320 Expo Boulevard
Lenoir, NC 28645 USA

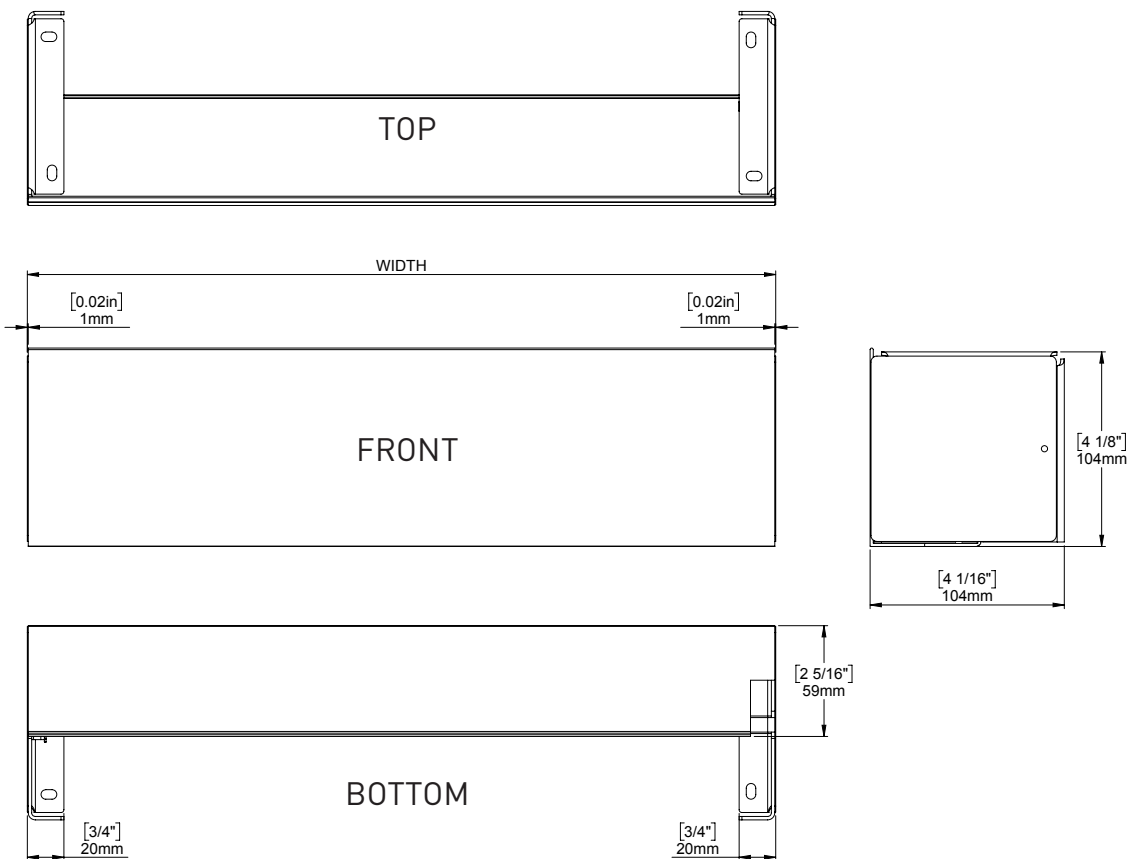
RollEase West
7310 West Roosevelt Street, Suite 26
Phoenix, AZ 85043 USA
Office: 623.936.5818
Order Fax: 623.936.5294

ARCHITECTURAL VIEWS

3" FASCIA

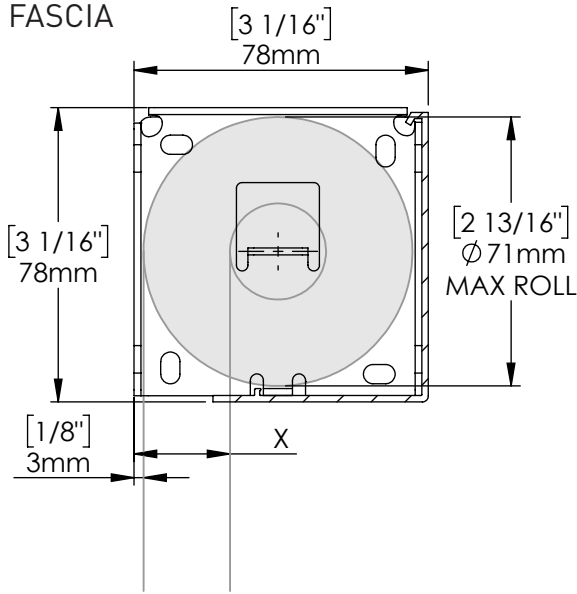


4" FASCIA

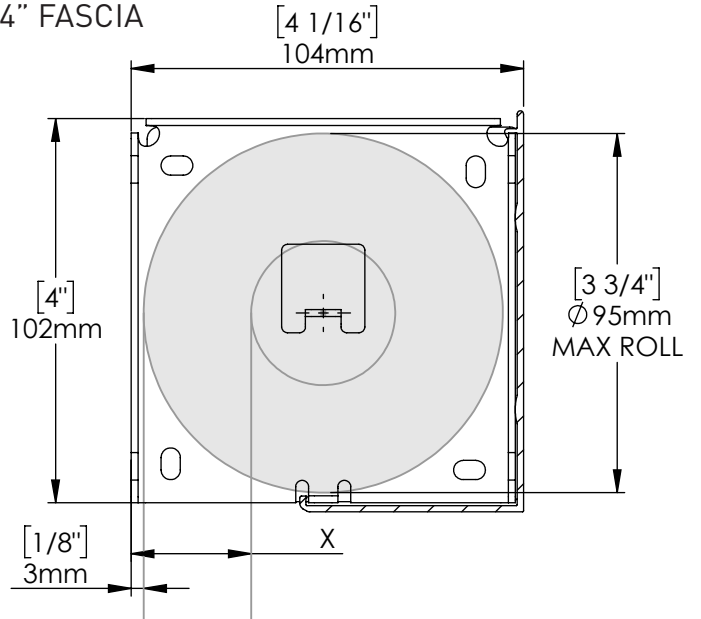


MAXIMUM ROLL DIAMETERS

3" FASCIA



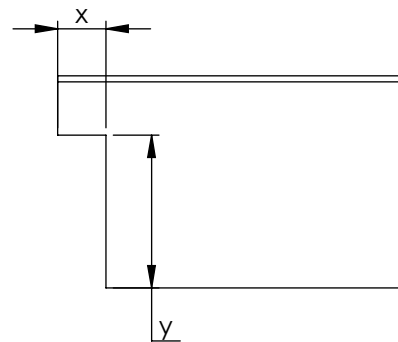
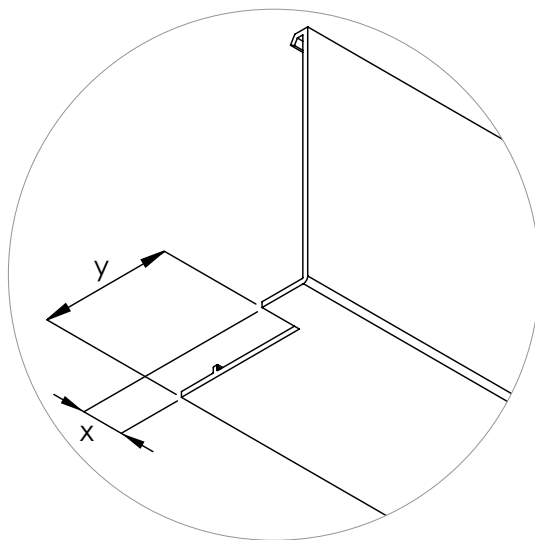
4" FASCIA



System	Tube	Max Distance from back of bracket X
3"	1"	25mm [1"]
	1-1/8"	24mm [15/16"]
	1-1/4"	22mm [7/8"]
	1-1/2"	19mm [3/4"]

System	Tube	Max Distance from back of bracket X
4"	1-1/2"	32mm [1-1/4"]
	2"	26mm [1"]
	2-1/2"	19mm [3/4"]
	3-1/4"	9mm [3/8"]

FASCIA DEDUCTIONS + NOTCH



CONFIGURATION	NOTCH DIMENSIONS		FASCIA DEDUCTIONS	
	x	y	With Bracket Covers	Without Bracket Covers
3" FASCIA PANEL FOR R8 CLUTCH	13mm [1/2"]	41mm [1 - 5/8"]	Shade Width - 2mm [0.08"]	Shade Width
3" FASCIA PANEL FOR R16 CLUTCH				
4" FASCIA PANEL FOR R16 CLUTCH	14mm [9/16"]	51mm [2"]		
4" FASCIA PANEL FOR R24 CLUTCH				
4" FASCIA PANEL FOR G200 CLUTCH	13mm [1/2"]	41mm [1 - 5/8"]		
4" FASCIA PANEL FOR G400 CLUTCH				
4" FASCIA PANEL FOR G400 CLUTCH	14mm [9/16"]	51mm [2"]		

R-Series Hardware Measurements

BEAD CHAIN

It is very important that the #10 metal bead chain used with RollEase clutches meets the following specifications.

QUALIFIED #10 metal bead chain, 50-51 beads per foot, with a bead diameter of 3/16" (.1875")

("Qualified" means that the chain must have uniform bead spacing) Plastic or metal chain break strength to be 40 lb minimum, stainless steel 85 lbs minimum

Some #10 metal chain that is sold within the window covering industry is unqualified, and the spacing may vary between 47 and 52 beads per foot. This chain will not work properly in RollEase clutches. The problems encountered may include noisy operation, excessive wear, and higher than normal pull force. Please be sure you have the correct bead chain!

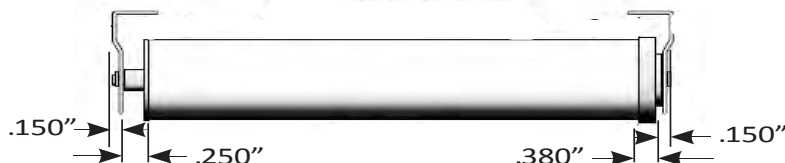
RollEase, Inc. offers qualified #10 chain in metal and plastic as long length spools or as pre-made continuous loops.

Roller Shade Deduction Chart: R-SERIES

To use this chart, select the components that you will use from the chart below. Next, add the deduction values together to get a sum total. **If you use a component more than once (like brackets), be sure to add its value each time it is used.** In the example, we have two Skyline SLB660 brackets, a Skyline Pin End, and an SL10 clutch. The sum would be:

$$.150'' + .150'' + .250'' + .380'' = .930''$$

You would then subtract this sum from the measured opening width to obtain the maximum cut length for your tube.



	R-SERIES Component	Deduction (in)	Deduction (mm)
Clutches	R3	.440	11.2
	R8	.440	11.2
	R16	.525	13.3
	R24	.520	13.2
	RGAL	.570	14.5
	RGAL400	.500	12.7
	R24 Spring Assist	.520	13.2
End Plug/ Adapters	R-Series End Plug	.160	4.1
	R-Series Cassette End Plug	.170	4.3
	Silent Pin End	.750 to 1.750	19.0 to 44.5
	Link System	.640	16.0
	R-Series 2" Adapter	.000	0.0
	R-Series 2.5" Adapter	.030	0.8
Brackets/ Covers	R-Series R3-R8 Brackets (Clutch) (RB360, RB380, RB390)	.080	2.0
	R-Series R3-R8 Brackets (End Plug) (RB360, RB380, RB390)	.440	11.2
	R-Series R3-R8 Bracket Covers	.160	4.1
	R-Series R3-R8 Brackets with Skyline Pin End (Clutch) (RSLB360, RSLB380)	.080	2.0
	R-Series R3-R8 Brackets with Skyline Pin End (End Plug) (RSLB360, RSLB380)	.210	5.3
	R-Series R16 Brackets (Clutch) (RB560)	.080	2.0
	R-Series R16 Brackets (End Plug) (RB560)	.440	11.2
	R-Series R16-R24 Brackets (Clutch) (RB580, RB590)	.080	2.0
	R-Series R16-R24 Brackets (End Plug) (RB580, RB590)	.430	10.9
	R-Series R16-R24 Brackets with Skyline Pin End (Clutch) (RSLB560, RSLB580)	.210	5.3
	R-Series R16-R24 Brackets with Skyline Pin End (End Plug) (RSLB560, RSLB580)	.080	2.0
	R-Series Heavy Duty Brackets (Clutch) (RBGAL)	.130	3.3
	R-Series Heavy Duty Brackets (End Plug) (RBGAL)	.460	11.7



Roller Shade Deduction Chart: R-SERIES

	R-SERIES Component	Deduction (in)	Deduction (mm)
Fascia And Pocket	R-Series 3" Fascia Bracket (Clutch) (RB361RTN, RB362RTN, RB561RTN) (3" Pocket)	.070	1.8
	R-Series 3" Fascia Bracket (End Plug) (RB361RTN, RB362RTN, RB561RTN) (3" Pocket)	.400	10.2
	R-Series 3" Fascia Bracket End Cap	.080	2.0
	R-Series 4" Fascia Bracket (Clutch) (RB581RTN) (4" and 6" Pocket)	.070	1.8
	R-Series 4" Fascia Bracket (End Plug) (RB581RTN) (4" and 6" Pocket)	.400	10.2
	R-Series 4" Fascia Bracket Cover	.040	1.0
	R-Series 5" Fascia Base Bracket + Insert Single (Clutch) (5" Pocket)	.290	7.4
	R-Series 5" Fascia Base Bracket + Insert Single (End Plug) (5" Pocket)	.650	16.5
	R-Series 5" Fascia Base Bracket + Insert Dual (Clutch) (5" Pocket)	.290	7.4
	R-Series 5" Fascia Base Bracket + Insert Dual (End Plug) (5" Pocket)	.330	8.4
	R-Series 5" Fascia Bracket Cover	.110	2.8
	Cassette	R-Series Cassette 80 Bracket (Clutch) (CRUBKT)	.070
R-Series Cassette 80 Bracket (End Plug) (CRUBKT)		.070	1.8
R-Series Cassette 80 Intermediate Bracket (CRIMBKT)		.070	1.8
R-Series Cassette 80 End Caps		.080	2.0
R-Series Cassette 100 and 120 Bracket (Clutch) (CRUBKT53L)		.070	1.8
R-Series Cassette 100 and 120 Bracket (End Plug) (CRUBKT53L)		.070	1.8
R-Series Cassette 100 and 120 Intermediate Bracket (CRIMBKT53L)		.070	1.8
R-Series Cassette 100 and 120 End Caps		.100	2.5
Motors	Somfy 30 Series	.570	14.5
	Somfy 40 Series	.670	17.0
	Somfy 50 Series	.790	20.0

Note: This chart gives exact component measurements taken from part drawings. RollEase recommends taking an additional .125" deduction for inside mount shades to ensure that the fit of the shade is not too tight.

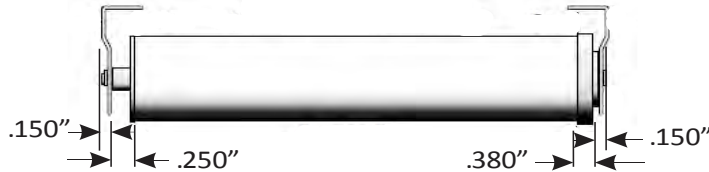


Roller Shade Deduction Chart - Skyline

To use this chart, select the components that you will use from the chart below. Next, add the deduction values together to get a sum total. If you use a component more than once (like brackets), be sure to add its value each time it is used. In the example, we have two Skyline SLB660 brackets, a Skyline Pin End, and an SL10 clutch. The sum would be:

$$.150'' + .150'' + .250'' + .380'' = .930''$$

You would then subtract this sum from the measured opening width to obtain the maximum cut length for your tube.



	SKYLINE Component	Deduction (in)	Deduction (mm)
Clutches	SL5	.450	11.5
	SL10	.380	9.7
	SL15	.380	9.7
	SL20	.450	11.5
	SL30	.500	12.7
	RGALH	.570	14.5
	RGAL400H	.500	12.7
Pin Ends/ Adapters	Skyline Pin End	.250	6.4
	Skyline HD Pin End	.250	6.4
	Silent Pin End	.750 to 1.750	19.0 to 44.5
	Link System	.640	16.0
	Spring Assist Pin End (PESA)	.250	6.4
	Skyline Adapter (1 1/4, 1 1/2, 40mm)	.063	1.6
	Skyline 2 Adapter	.000	0.0
Skyline 2.5 Adapter	.030	0.8	



Roller Shade Deduction Chart - Skyline

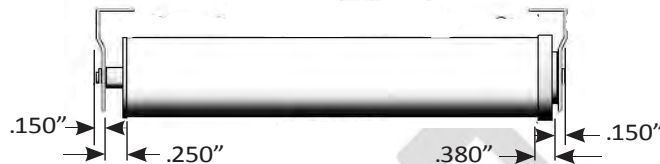
	SKYLINE Component	Deduction (in)	Deduction (mm)
Brackets/ Covers	Skyline Standard Bracket (SLB660)	.150	3.8
	Intermediate Skyline Bracket (SLB660i, SLB680i)	.470	11.9
	Skyline Ribbed Bracket (SLB680R, 690R)	.150	3.8
	Skyline Narrow Bracket (SLNB660, SLNB680, SLNB690)	.170	4.3
	Skyline Narrow Intermediate Bracket (SLNB660i, SLNB680i, SLNB690i)	.470	11.9
	Skyline Horizontal Dual Bracket (SLB660DBH)	.190	4.9
	Skyline Vertical Dual Bracket (SLB660DBV)	.190	4.9
	Skyline Universal Dual Bracket (SLDB32, SLDB38, SLDB48)	.190	4.9
	Skyline Intermediate Universal Dual Bracket (SLDB38i, SLDB48i)	.470	11.9
	Skyline Standard Bracket Cover	.063	1.6
	Skyline Narrow Bracket Cover	.063	1.6
	Skyline Dual Bracket Cover	.080	2.0
Fascia	Skyline 3 Fascia Bracket (SLFBKT3)	.210	5.3
	Skyline 3 Fascia Bracket End Cap	.080	2.0
	Skyline 4 Fascia Bracket (SLFBKT4)	.210	5.3
	Skyline 4 Fascia Bracket Cover	.040	1.0
	Skyline 5 Fascia Base Bracket + Insert	.290	7.4
	Skyline 5 Fascia Bracket Cover	.110	2.8
Cassette	Skyline Cassette 80 (CRUSLB)	.190	4.9
	Skyline Cassette 80 Intermediate Bracket (CRUSLBI)	.360	9.1
	Skyline Cassette 80 End Caps	.080	2.0
	Skyline Cassette 100 and 120 Bracket (CRUSLB660, CRUSLB680)	.190	4.9
	Skyline Cassette 100 and 120 Intermediate Bracket (CRUSLB660i, CRUSLB680i)	.370	9.4
	Skyline Cassette 100 and 120 End Caps	.100	2.6
Motors	Somfy 30 Series	.570	14.5
	Somfy 40 Series	.670	17.0
	Somfy 50 Series	.790	20.0

Note: This chart gives exact component measurements taken from part drawings. RollEase recommends taking an additional .125" deduction for inside mount shades to ensure that the fit of the shade is not too tight.

To use this chart, select the components that you will use from the chart below. Next, add the deduction values together to get a sum total. **If you use a component more than once (like brackets), be sure to add its value each time it is used.** In the example, we have two Skyline SLB660 brackets, a Skyline Pin End, and an SL10 clutch. The sum would be:

$$.150'' + .150'' + .250'' + .380'' = .930''$$

You would then subtract this sum from the measured opening width to obtain the maximum cut length for your tube.



Roller Shade Deduction Chart - Motors

	Motor Component	Deduction (in)	Deduction (mm)
Motors	Rollease Acmeda 18mm	.394	10.0
	Rollease Acmeda 25mm	.458	11.6
	Rollease Acmeda 28mm	.394	10.0
	Rollease Acmeda 35mm	.394	10.0
	Rollease Acmeda 45mm	.394	10.0
	Crown for 18mm DC motor in 1.000" tube (MTCR-18-1)	.126	3.2
	Crown for 18mm DC motor in 1.125" tube (MTCR-18-1.125)	.106	2.7
	Crown for 25mm Switch motor in 1.125" tube (MTCR-25-1.125)	.000	0.0
	Crown for 25mm DC motor in 1.25" tube (MTCR-25-1.25)	.059	1.5
	Crown for 25mm DC motor in 1.5" tube (MTCR-25-1.5)	.059	1.5
	Crown for 28mm DC motor in 1.5" tube (MTCR-28-1.5)	.106	2.7
	Crown Set for 28mm DC motor in 2.0" Ribbed tube (MTCR-28-2)	.106	2.7
	Crown for 35mm motor in 2.0" Ribbed tube (MTCR-35-2)	.106	2.7
	Crown for 45mm motor in 2.0" Smooth tube (MTCR-45-2SW)	.170	4.3
	Crown Adapter 28mm motor in S45 Crowns (MTCRDR-28-S45)	.106	2.7
	Crown Adapter 35mm motor in S45 Crowns (MTCRDR-35-S45)	.106	2.7
	Crown for 45mm motor in 2.5" tube (MTCR-45-2.5)	.130	3.3
	Crown for 45mm motor in 3.25" tube (MTCR-45-3.25)	.160	4.1
	18mm motor to Skyline bracket (MTAD-18-SL)	.100	2.5
	25mm, 28mm, 38mm motor to Skyline bracket (MTAD-252835-SL)	.100	2.5

45mm motor to Skyline bracket (MTAD-45-SL)	.080	2.0
18mm motor to R Series bracket (MTAD-18-RS)	.040	1.0
25mm, 28mm, 38mm motor to R Series bracket (MTAD-252835-RS)	.080	2.0
45mm motor to R Series bracket (MTAD-45-RS)	.080	2.0

Note: This chart gives exact component measurements taken from part drawings. RollEase recommends taking an additional .125" deduction for inside mount shades to ensure that the fit of the shade is not too tight.