

# BARFORD



[WWW.BARFORD.COM](http://WWW.BARFORD.COM)



# CONTENTS

## **SCREENERS/CRUSHERS**

<b>SR124 Heavy Duty Screener</b>	<b>3-4</b>
<b>S104 Inclined Screener</b>	<b>5-6</b>
<b>T516 Tracked Trommel</b>	<b>7-8</b>
<b>T512 Tracked Stockpile Conveyor</b>	<b>9</b>
<b>SM312 Wheeled Screener</b>	<b>10-11</b>
<b>US70 Portable Screener</b>	<b>12</b>
<b>J700X500 Jaw Crusher</b>	<b>13</b>
<b>640J PTO Crusher</b>	<b>14-15</b>
<b>BF7042 Bin Feeder</b>	<b>16-17</b>
<b>BF7048M Bin Feeder</b>	<b>18-19</b>
<b>LTF80 Tracked Conveyor</b>	<b>20-21</b>

## **CONVEYORS**

<b>TR100-48 Tracked Conveyor</b>	<b>22-23</b>
<b>TR8048M Tracked Conveyor</b>	<b>24-25</b>
<b>TR8048 Tracked Conveyor</b>	<b>26-27</b>
<b>TR8036 Tracked Conveyor</b>	<b>28-29</b>
<b>TR6536 Stockpile Conveyor</b>	<b>30-31</b>
<b>R6536TR Stockpile Conveyor</b>	<b>32</b>
<b>W5032 Wheeled Conveyor</b>	<b>33-34</b>

## **TRAILERS**

<b>D15 Dump Trailer</b>	<b>35</b>
<b>D16 Dump Trailer</b>	<b>36</b>
<b>MP14 Dump Trailer</b>	<b>37</b>
<b>750I Distribution Trailer</b>	<b>38</b>
<b>L22 Low Loader</b>	<b>39</b>
<b>L27 Low Loader</b>	<b>40</b>





# Barford SR124 Heavy Duty Screener

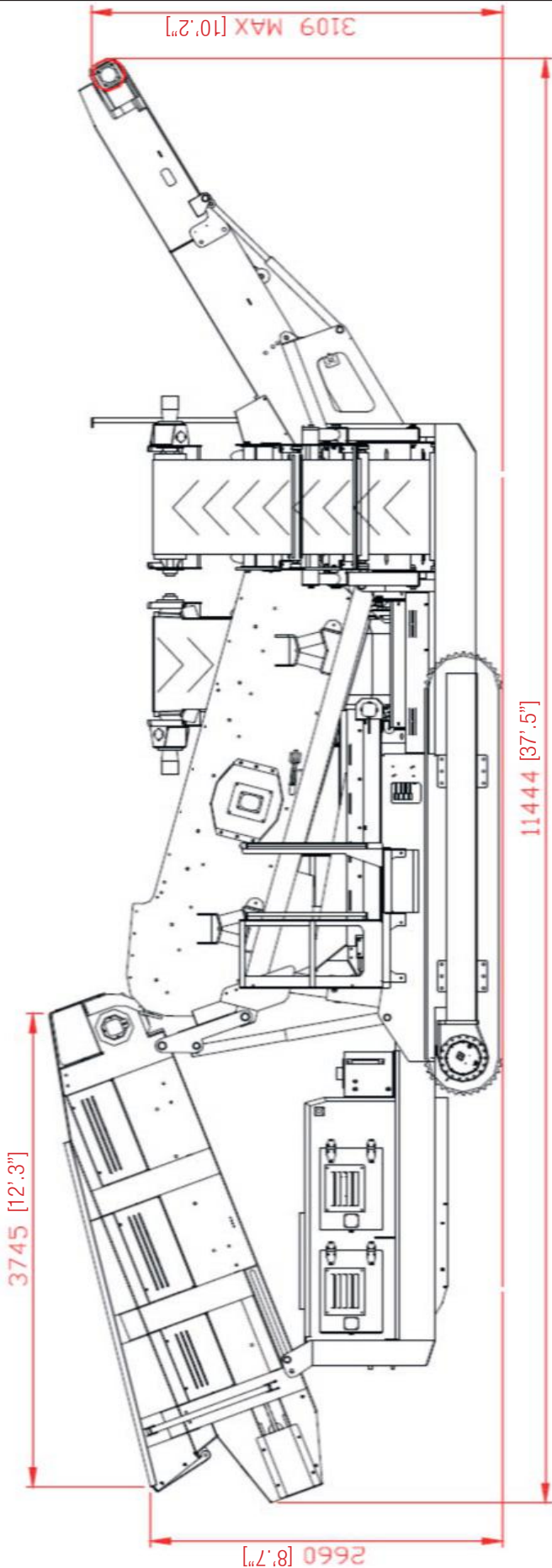


**Barford SR124 Heavy Duty 3 Way Split Screen, 12' x 4'2" (3.66m x 1.28m) Screenbox, CAT 4.4 (56kw/75hp), Remote Control Movement, Fits in 40Ft HC Container**

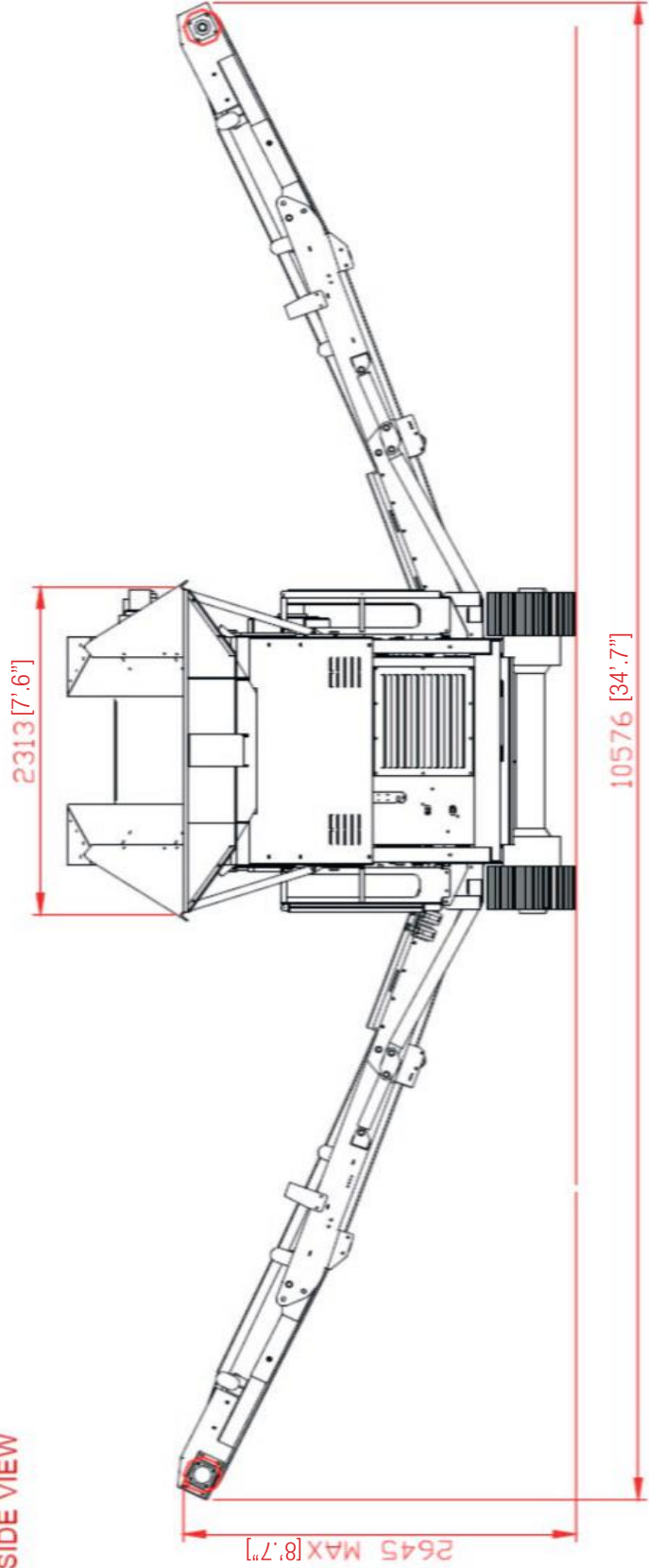
Visit our website for full inventory  
[www.barford.com](http://www.barford.com)



# Barford SR124 Heavy Duty Screener



SIDE VIEW



END VIEW





# Barford S104 Inclined Screener

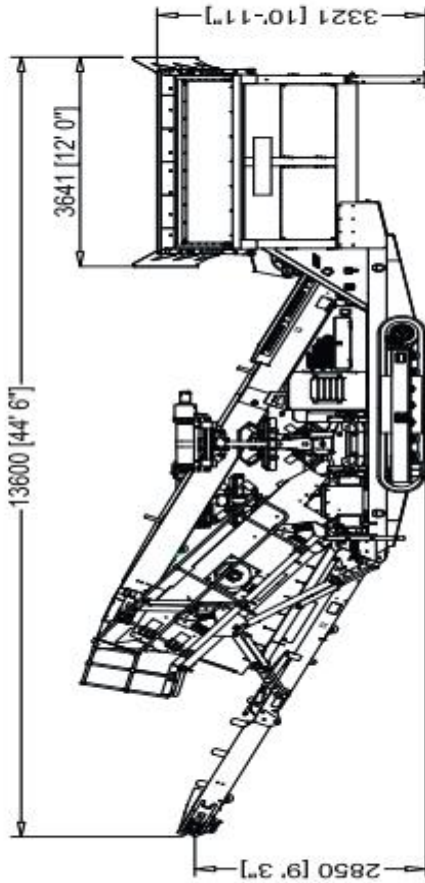
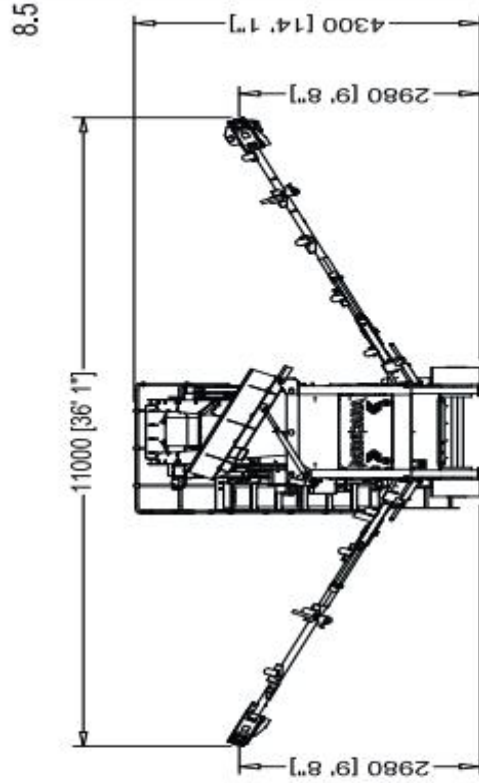


**Barford S104 Track Mounted Screening Machine Inclined 3 Way Split Screen c/w 3m x 1.2m Screenbox, 3A JCB EcoMax Engine 68KW / 91HP, Remote Control Movement**

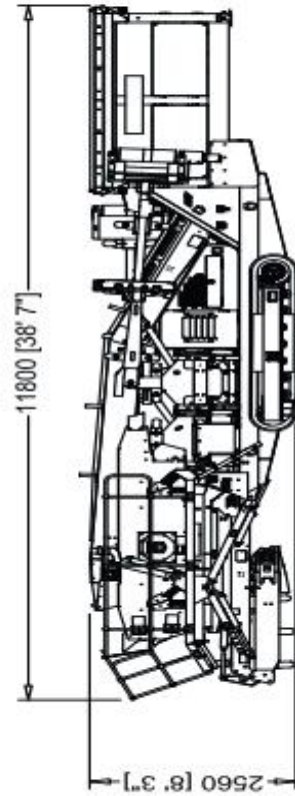
Visit our website for full inventory  
[www.barford.com](http://www.barford.com)



# Barford S104 Inclined Screener



WORKING



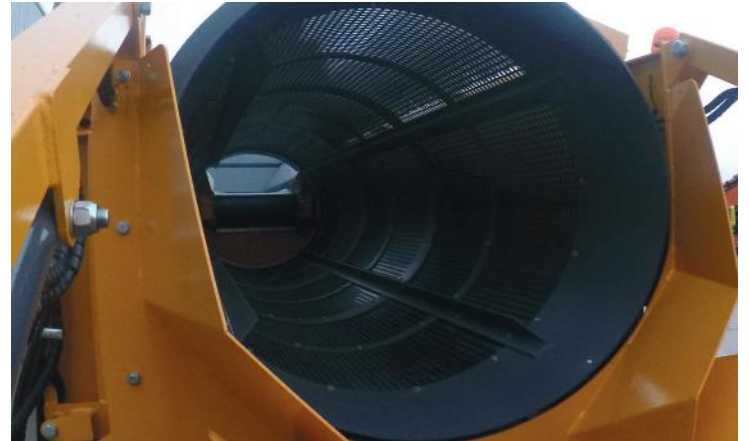
TRANSPORT

SR410





# Barford T516 Tracked Trommel

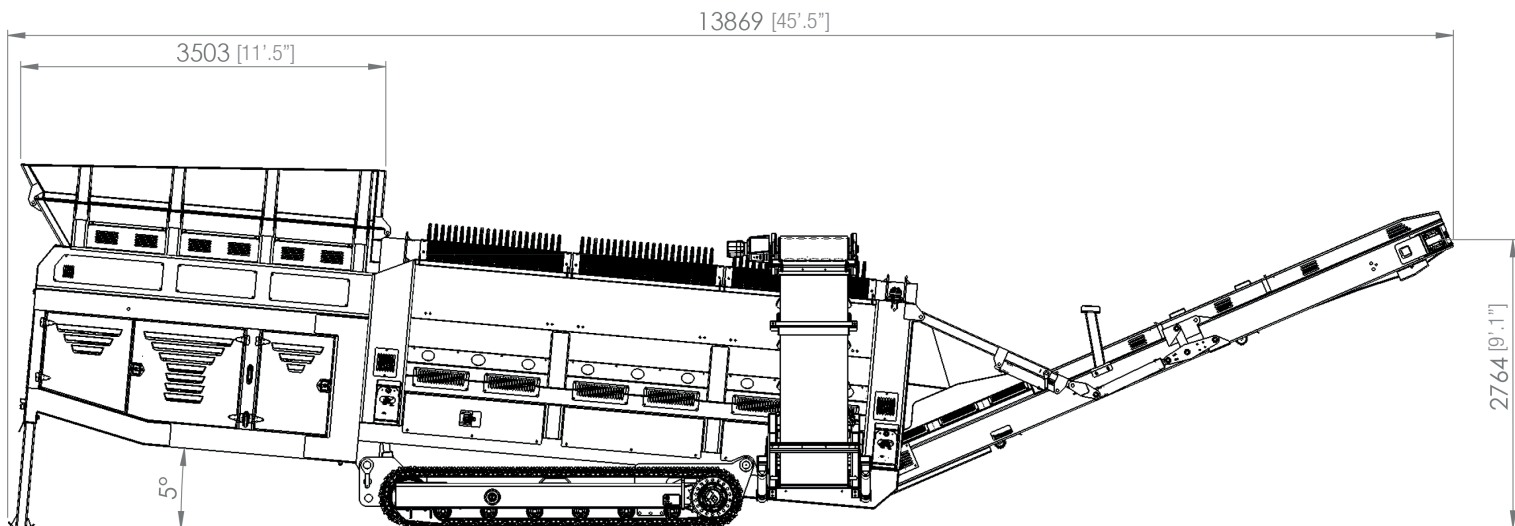
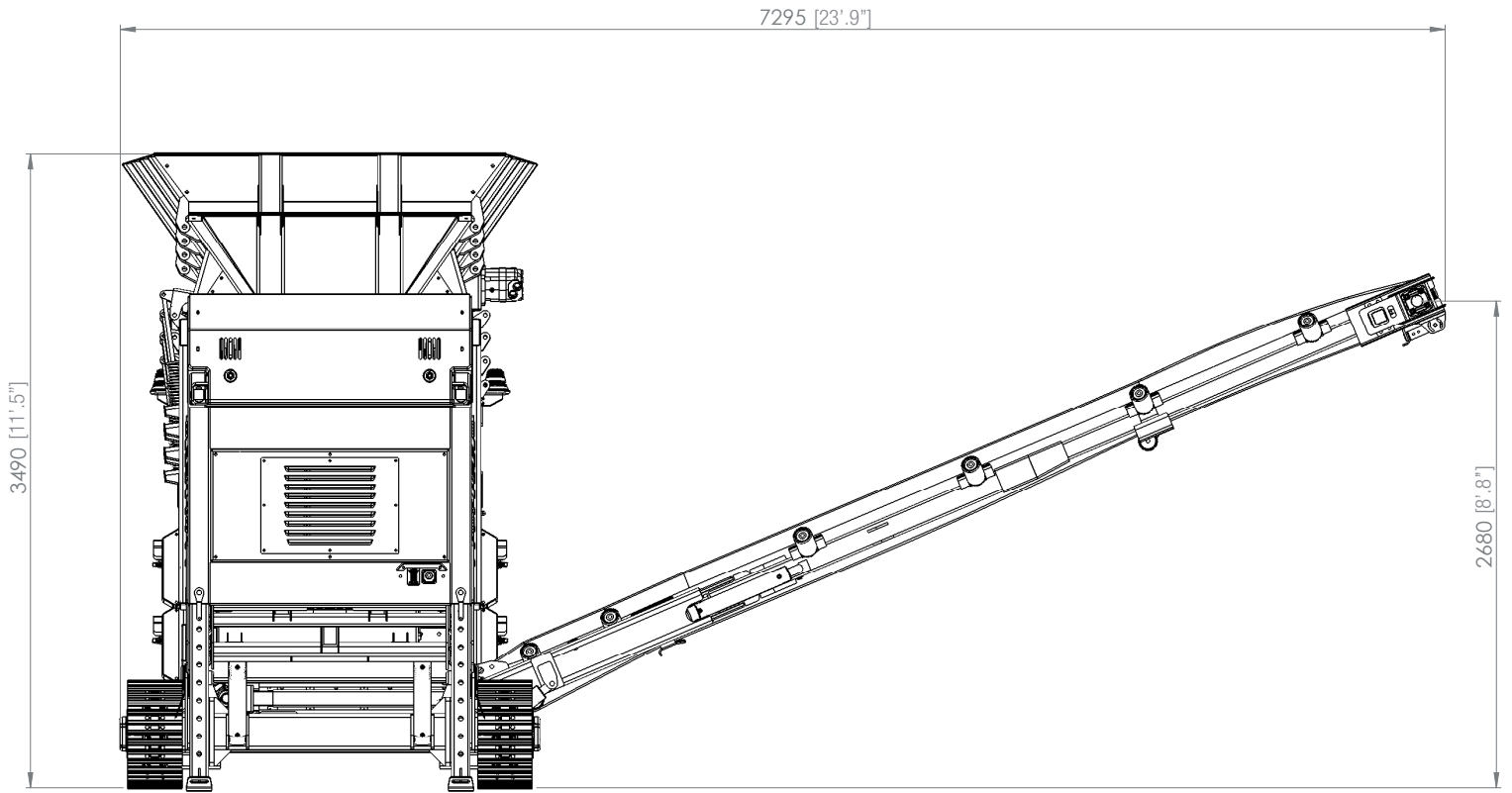


**5'x16' Drum, Variable Screening Angle, Hopper Capacity: 3.8M<sup>3</sup>, Feeder Belt Width 950mm, Side Conveyor Belt Width 650mm, Transfer Conveyor Belt Width 1050mm, Oversize Conveyor Belt Width 950mm, Chevron Belt, Power Unit: CAT 4.4 74KW Engine, Tracks: 2.9M Tracks \* 300mm Shoes, Remote Control Movement**

Visit our website for full inventory  
[www.barford.com](http://www.barford.com)



# Barford T516 Tracked Trommel







# Barford T512 Tracked Stockpile Conveyor



**5'x13' Long Direct Drive Drum, Variable Speed Feeder and Drum, Adjustable Brush Tensioners, Hopper Capacity 3.5M3 (4.6Cubic Yards), Feeder Belt Width 900mm, Fines Conveyor Belt Width 900mm, Stockpile Conveyor Belt Width 750mm, Chevron Belt, CAT 2.2 4**

**Visit our website for full inventory**  
**[www.barford.com](http://www.barford.com)**



# Barford SM312 Wheeled Screener



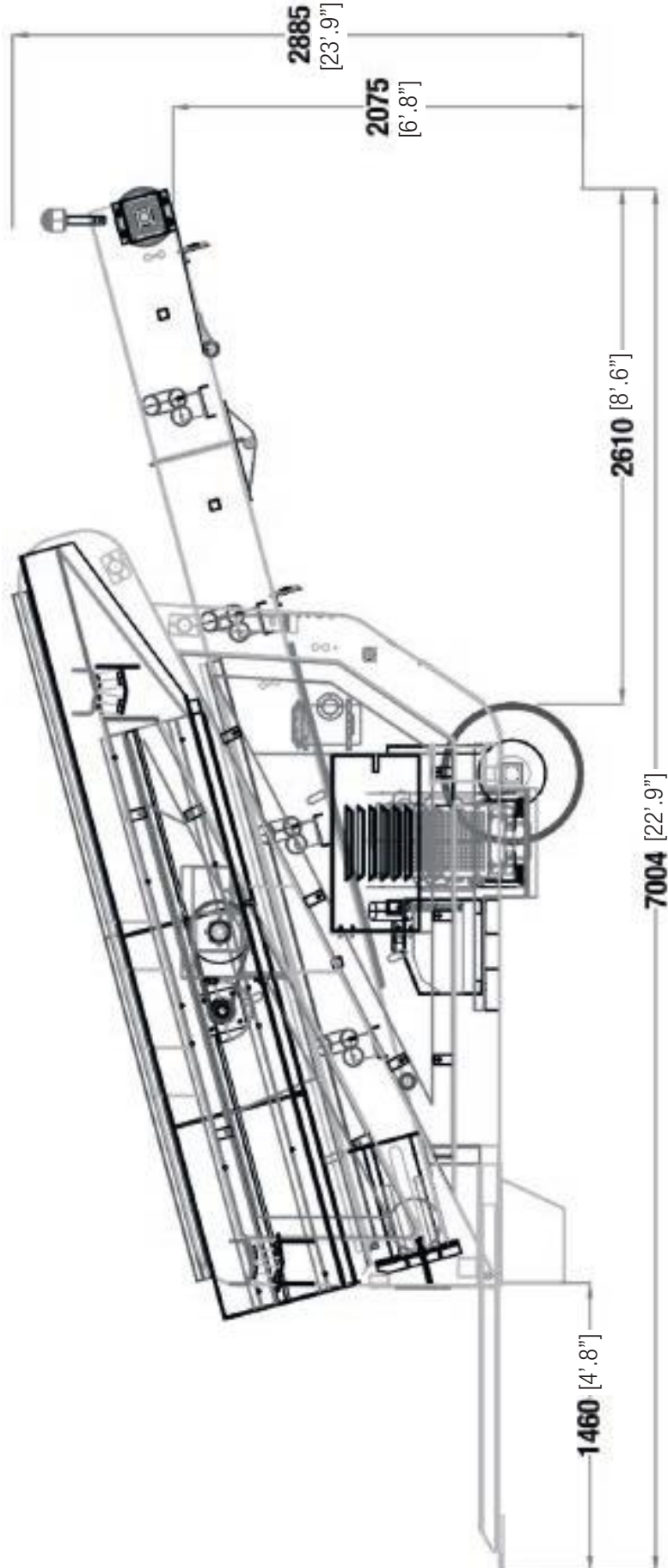
Single Axle Mobile 12' X 4' (3m x 1.29m) Double Deck Screen c/w Double Drive Pump to suit Auxiliary, Extended Folding Fines Conveyor, CAT 2.2 37kw Engine, Removable Towbar

Visit our website for full inventory  
[www.barford.com](http://www.barford.com)





# Barford SM312 Wheeled Screener





# Barford US70 Portable Skid Mounted Screener



**Portable Skid Mounted Electric Drive Double Deck Screener, 1100W Motor, 3.2sqm (70sqft) Total Screening Area, Woven Wire Mesh, Extra Wide 3-Sided Enclosed Support Frame, Deck Sorters & Divider to give 3 Product Grades.**

Visit our website for full inventory  
[www.barford.com](http://www.barford.com)





# Barford J700X500 Jaw Crusher



Barford 7x5 - 700x500 Electric Powered Hook Lift Jaw Crusher

---

Visit our website for full inventory  
[www.barford.com](http://www.barford.com)

---



# Barford 640J PTO Jaw Crusher



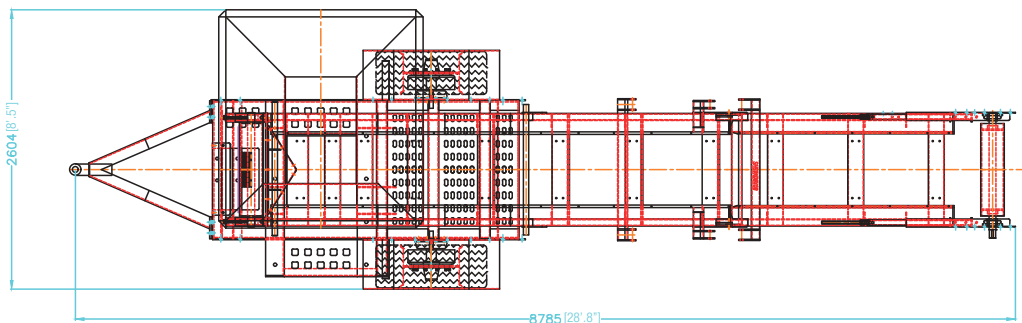
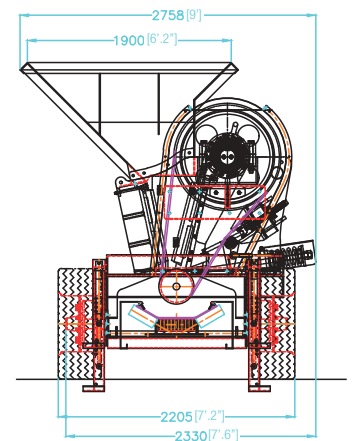
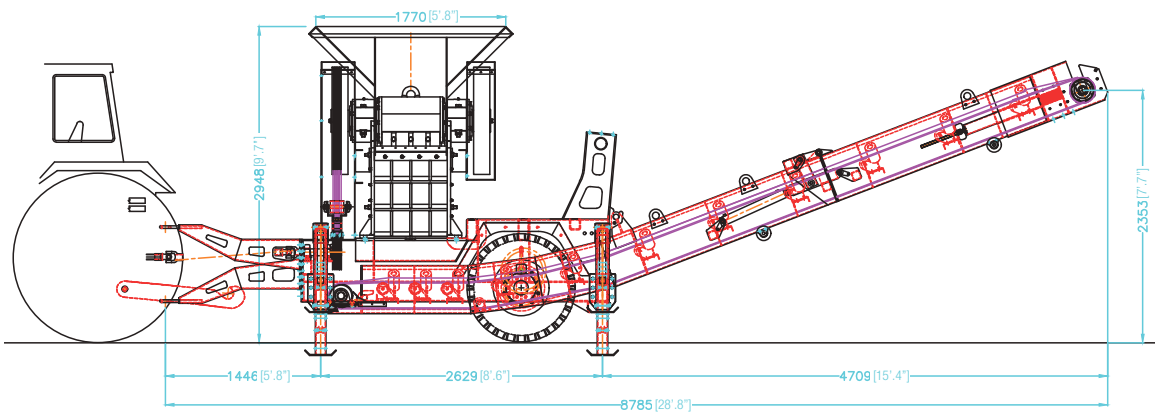
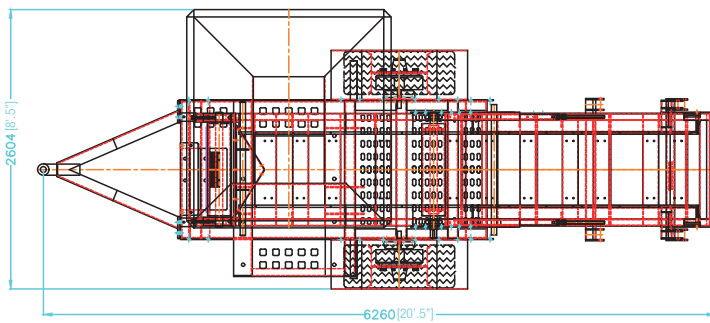
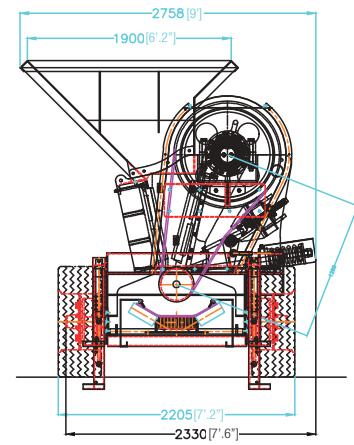
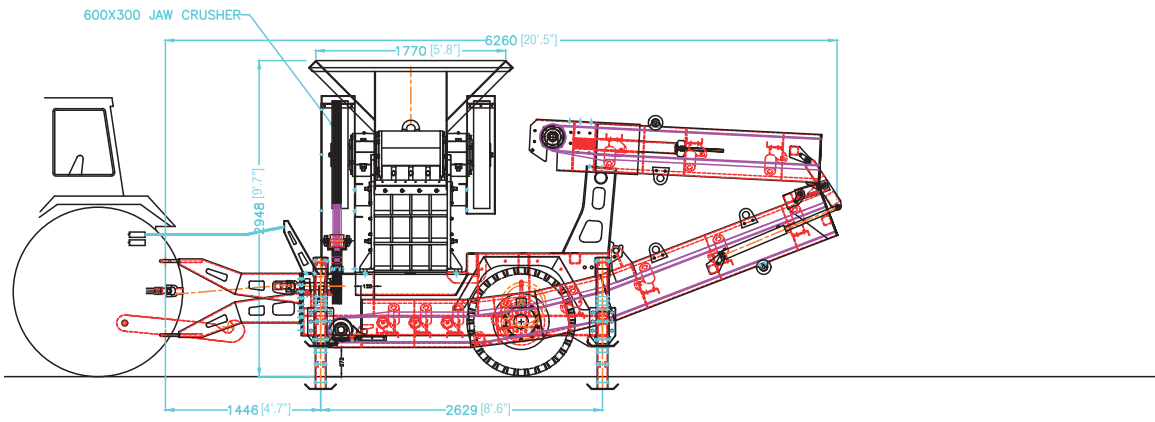
**600 x 400 (24"x16") Direct Drive PTO Jaw Crusher, Removable Folding Discharge Conveyor, Hydraulic Jack Legs, Recommended Tractor Requirement 100HP.  
Also available with an Over Band Magnet**

**Visit our website for full inventory**  
**[www.barford.com](http://www.barford.com)**





# Barford 640J PTO Jaw Crusher





# Barford BF7042 Tracked Bin Feeder



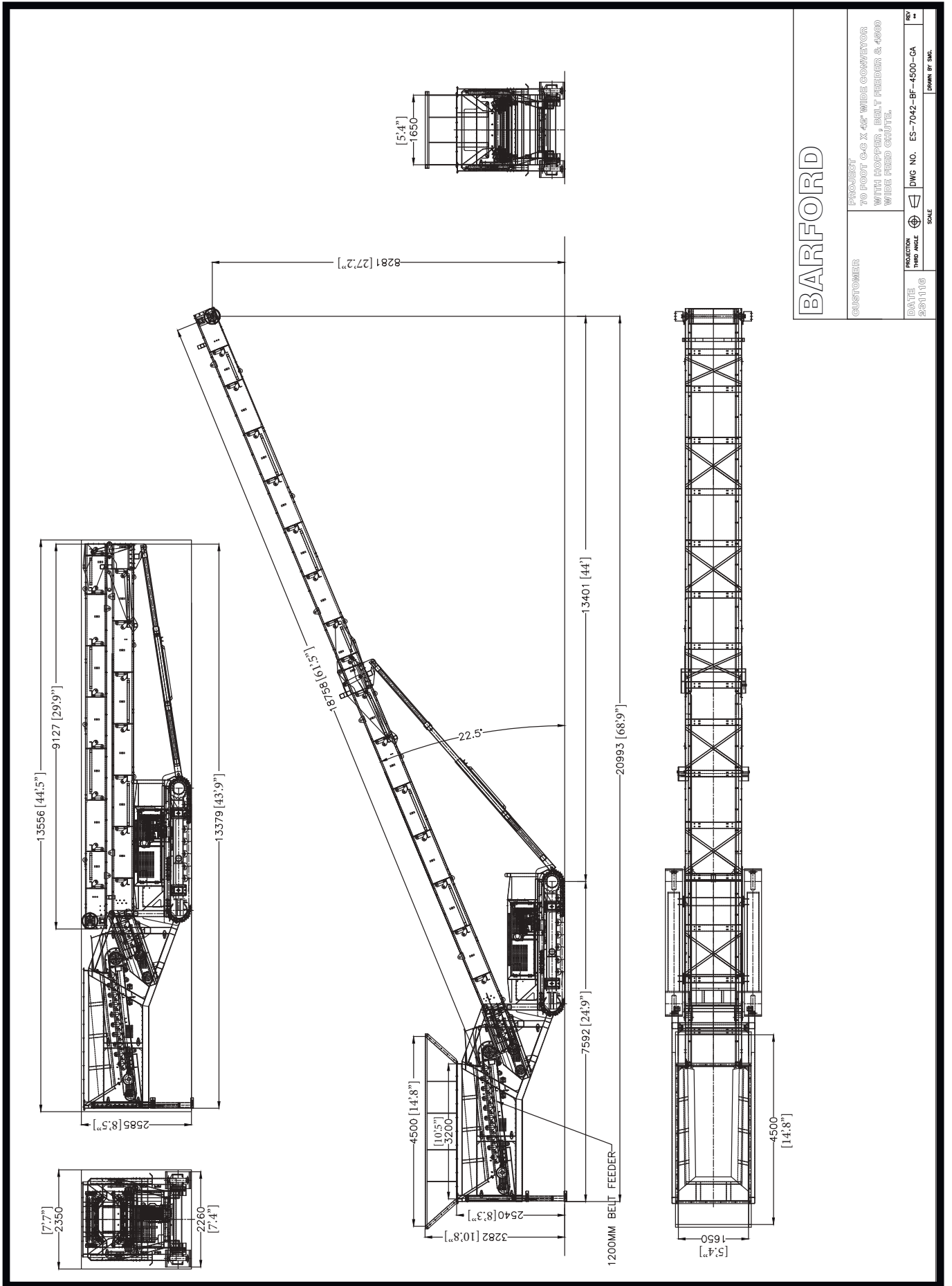
**Tracked Bin Feeder 70ft x 42", Twin Drive Discharge Belt, Hyd Slew Hubs, Hyd legs under Feeder, Hyd Fold on Discharge, Galvanized Legs & Check Valves in Rams, Cat 4.4, Elect Auto-mation Control Movement (Fits in 45Ft HQ Container)**

Visit our website for full inventory  
[www.barford.com](http://www.barford.com)





# Barford BF7042 Tracked Bin Feeder



**BARFORD**

CUSTOMER

PROJECT  
70 FOOT 6'6" X 4'8" WIDE CONVEYOR  
WITH HOPPER, BELT FEEDER & 4000  
WIDE FEED CHUTE.

DATE  
201110

PROJECTION  
THIRD ANGLE

DWG NO. ES-7042-BF-4500-CA

SCALE

REV

DRAWN BY SWC



# Barford BF7048M Tracked Bin Feeder



**Barford BF7048M - Tracked Bin Feeder 70ft x 48", Twin Drive Discharge Belt, Hyd Slew Hubs, Hyd legs under Feeder, Hyd Fold on Discharge, Galvanized Legs & Check Valves in Rams, Cat 4.4, Elect Automation Control Movement c/w Reversible Hydraulic Mulch Agitator/Auger**

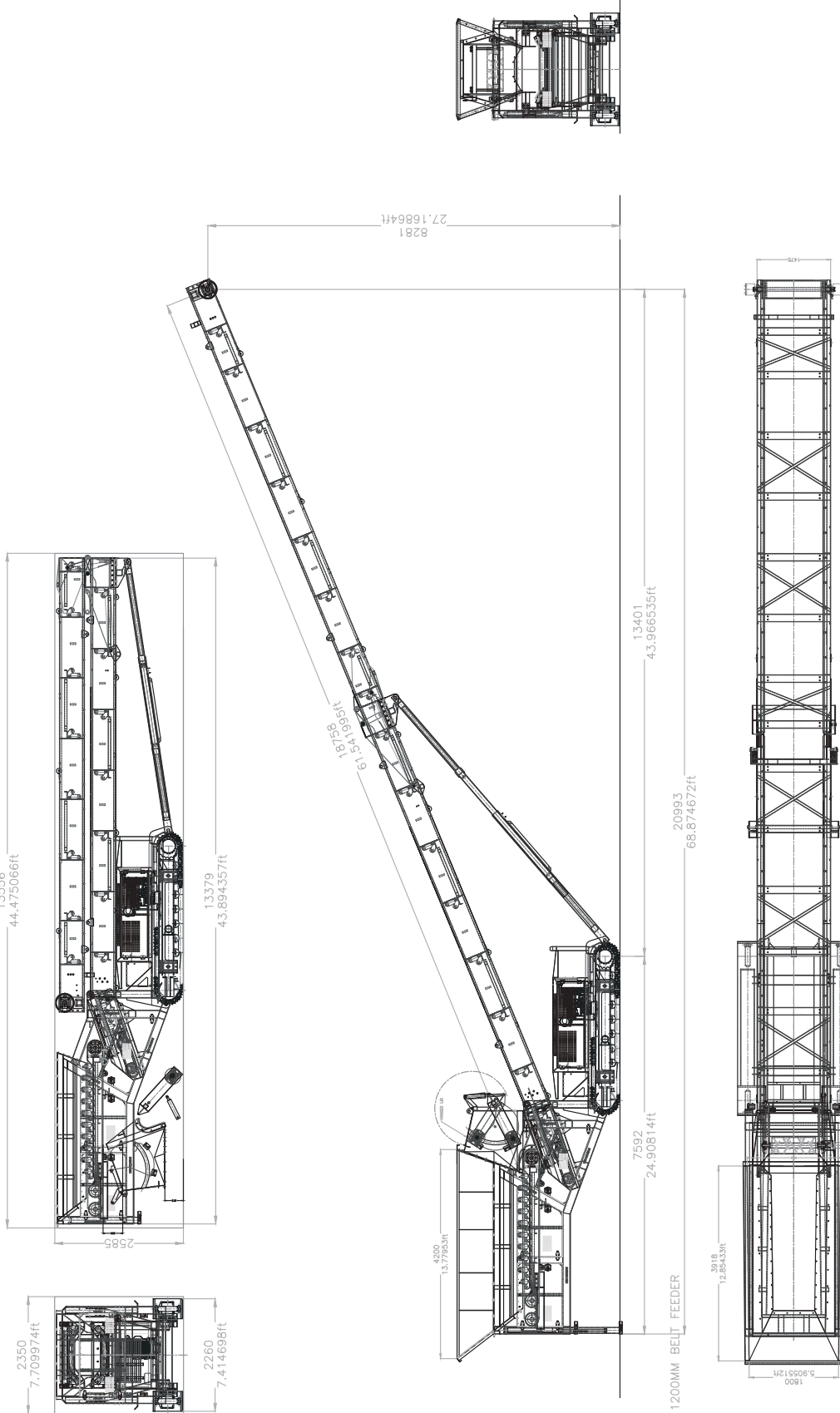
Visit our website for full inventory  
[www.barford.com](http://www.barford.com)





# Barford BF7048M Tracked Bin Feeder

FIRST ANGLE PROJECTION. IF IN DOUBT ASK?



**BARFORD**

CUSTOMER	PROJECT
	20 FOOT Ø6 X 48" WIDE CONVEYOR WITH HOPPER, BELT FEEDER & 4300 LIONS HOPPER
DATE	DWG NO.
00/00/18	ES-7048-BF-4200-MUL
PROJECTION	SCALE
FIRST ANGLE	AS SHOWN
DRAWN BY: SMC	



# Barford LTF80 Tracked Conveyor



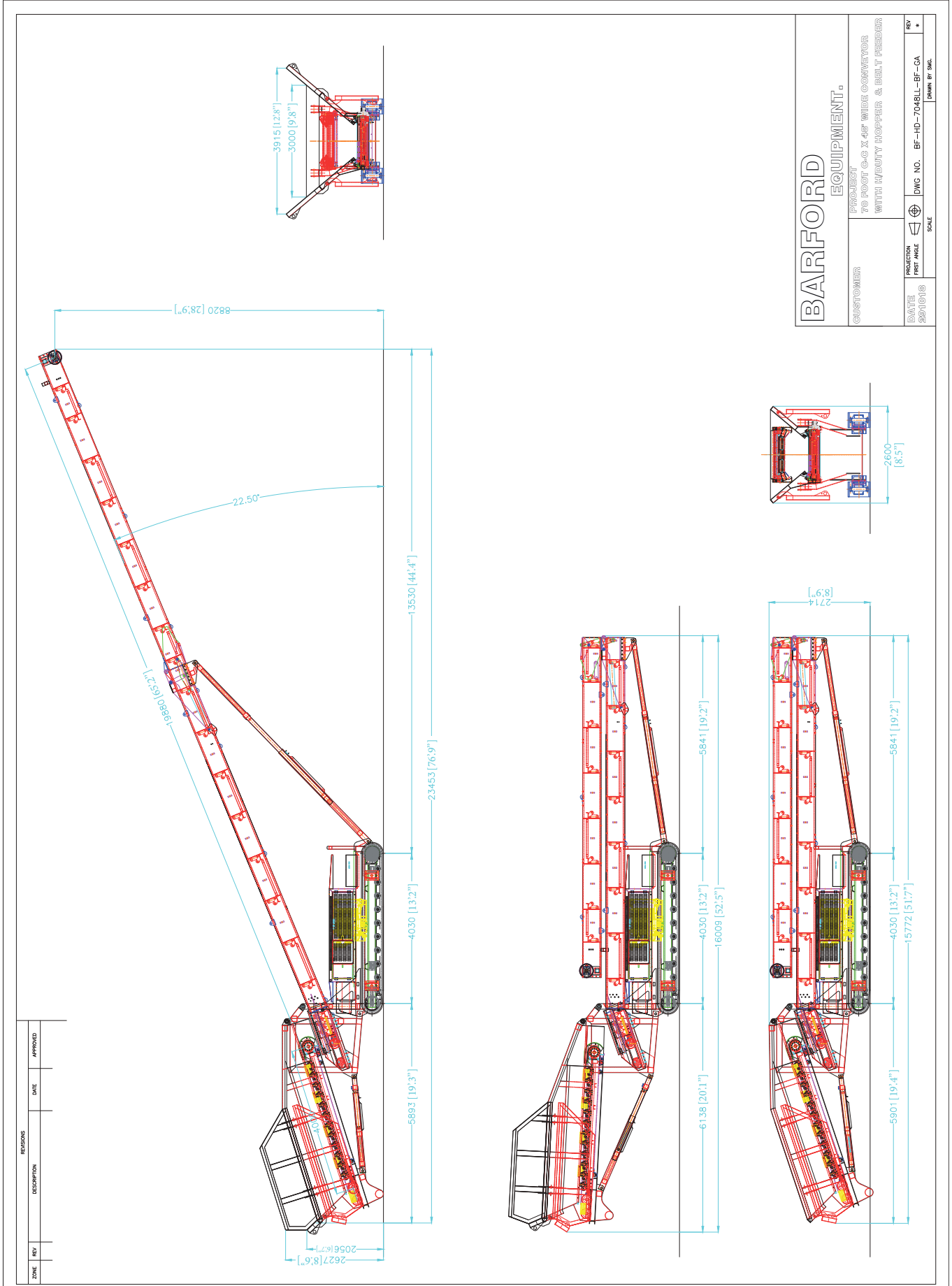
**Tracked Low Level Conveyor 80ft x 48", Twin Gearbox Drive, Twin Drive Discharge Belt, Cast Iron Pumps, Hyd Slew Hubs, Hyd legs under Feeder, Hyd Fold on Discharge, Galvanized Legs & Check Valves in Rams, Cat 4.4 LRC Accert 96kw Engine, Elect Automation**

**Visit our website for full inventory**  
**[www.barford.com](http://www.barford.com)**





# Barford LTF80 Tracked Conveyor





# Barford TR100-48 Tracked Conveyor



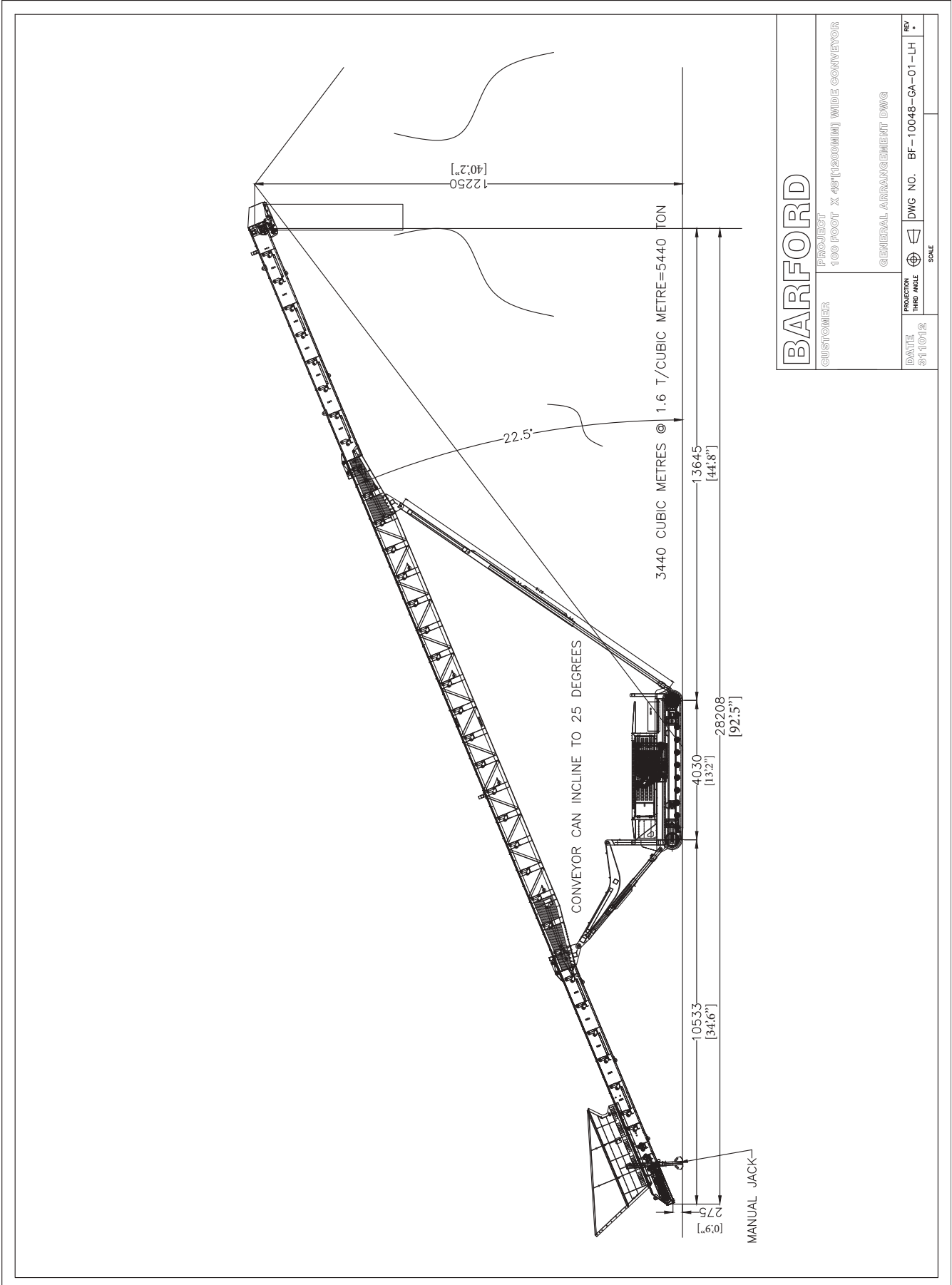
**Tracked Conveyor 100ft x 48", Twin Drive, Hyd Slew Hubs, Hyd Raise/Lower, Hyd Head Fold, Galvanized Legs & Guards, Cat 4.4 Engine & Hyd Oil Cooler, Remote Control Movement, Central Greasing**

Visit our website for full inventory  
[www.barford.com](http://www.barford.com)





# Barford TR100-48 Tracked Conveyor





# Barford TR8048M Tracked Conveyor



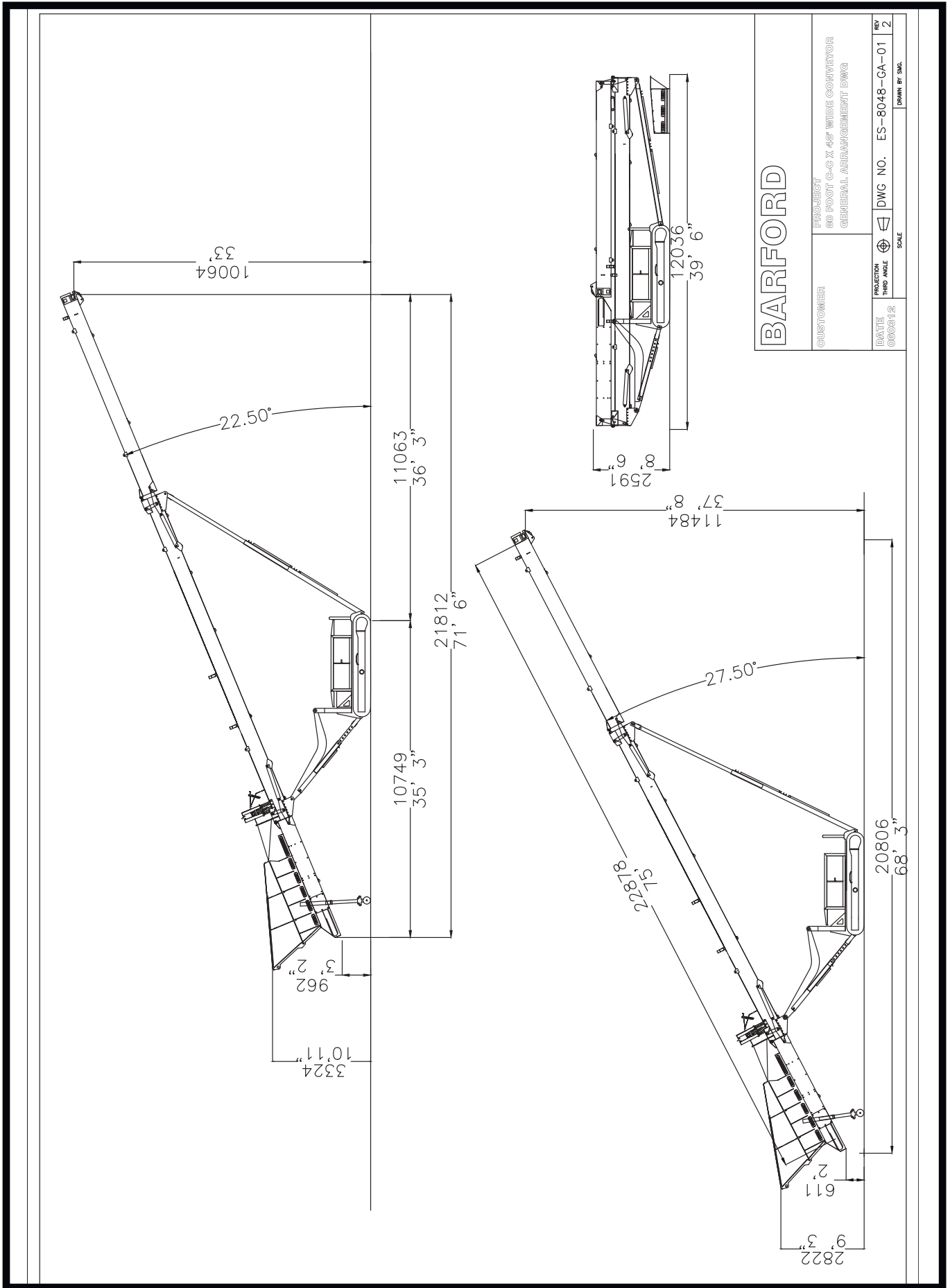
**Barford TR8048M - Tracked Conveyor 80ft x 48", Reversible Hydraulic Auger/Agitator Attachment, Twin Drive, Hyd Slew Hubs, Hyd Raise/Lower, Hyd Head Fold, Galvanized Legs & Guards, Cat 4.4 Engine & Hyd Oil Cooler, Remote Control Movement, Central Greasing**

Visit our website for full inventory  
[www.barford.com](http://www.barford.com)





# Barford TR8048M Tracked Conveyor





# Barford TR8048 Tracked Conveyor



**Tracked Conveyor 80ft x 48", Twin Drive, Hyd Slew Hubs, Hyd Raise/Lower, Hyd Head Fold, Galvanized Legs & Guards, Cat 2.2 Turbo Engine & Hyd Oil Cooler, Remote Control Movement, Central Greasing**

---

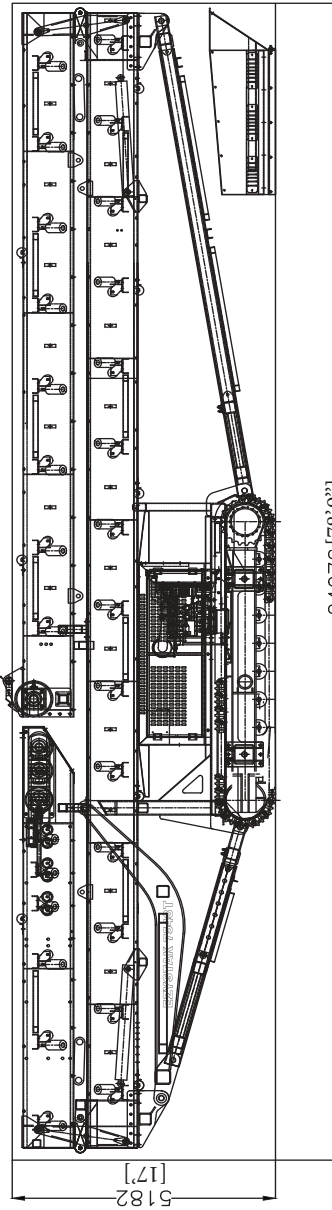
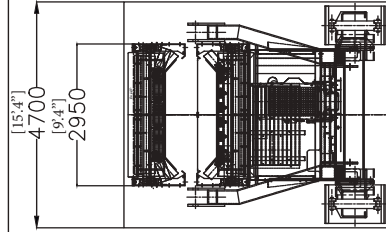
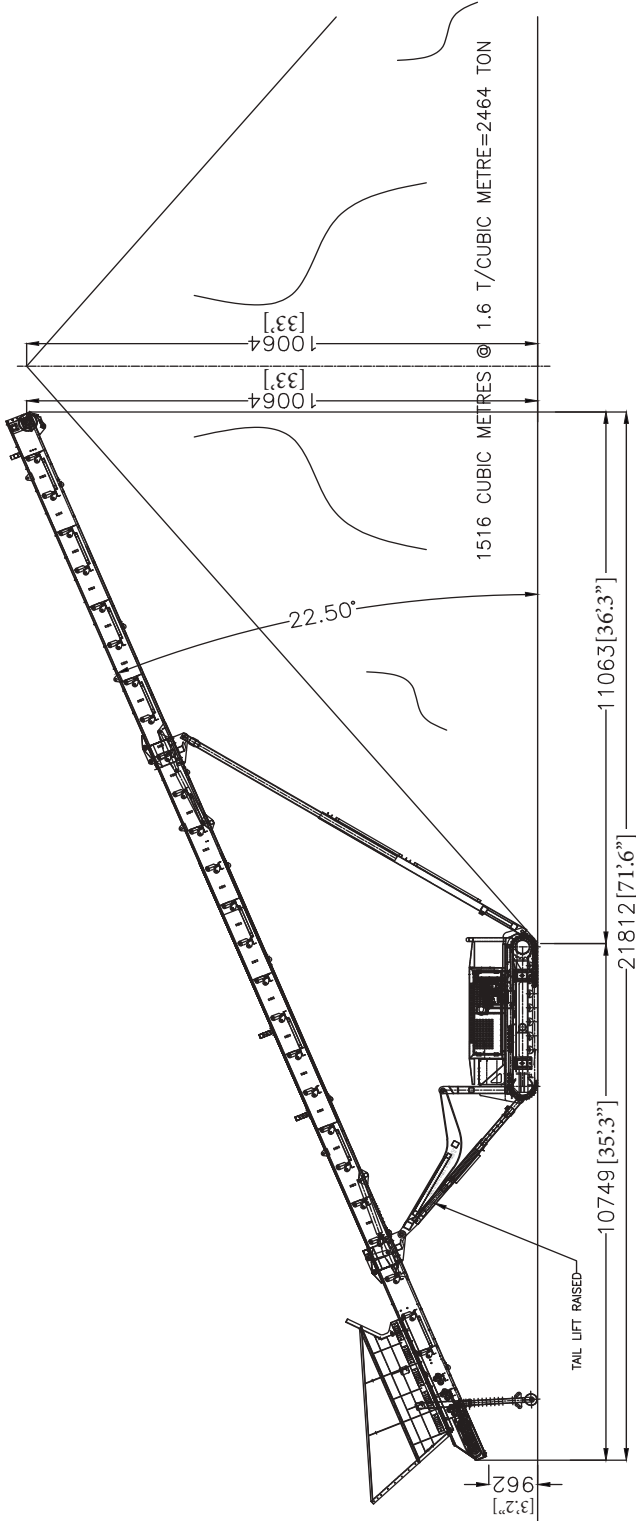
**Visit our website for full inventory**  
**[www.barford.com](http://www.barford.com)**

---





# Barford TR8048 Tracked Conveyor



INTERNAL DIMENSIONS OF A HIGH SHIPPING CONTAINER

**BARFORD**

CUSTOMER PROJECT  
80 FOOT G X 48" WIDE CONVEYOR  
GENERAL ARRANGEMENT DWG

DATE 060812 PROJECTION THIRD ANGLE DWG NO. ES-7548-GA-01 REV 2 DRAWN BY SMC SCALE



# Barford TR8036 Tracked Conveyor



**Tracked Conveyor 80ft x 36". Twin Drive. Hyd Slew Hubs. Hyd Raise/Lower. Hyd Head Fold. Galvanized Legs & Guards. Cat 2.2 Turbo Engine & Hyd Oil Cooler, Remote control movement, Central greasing**

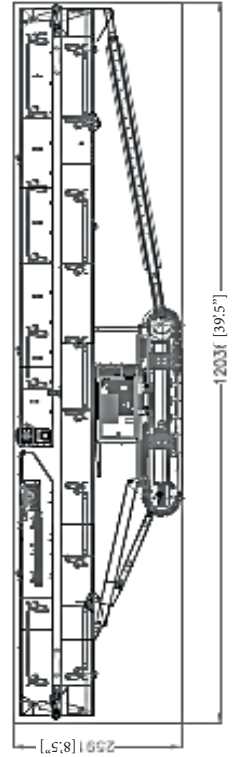
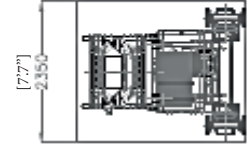
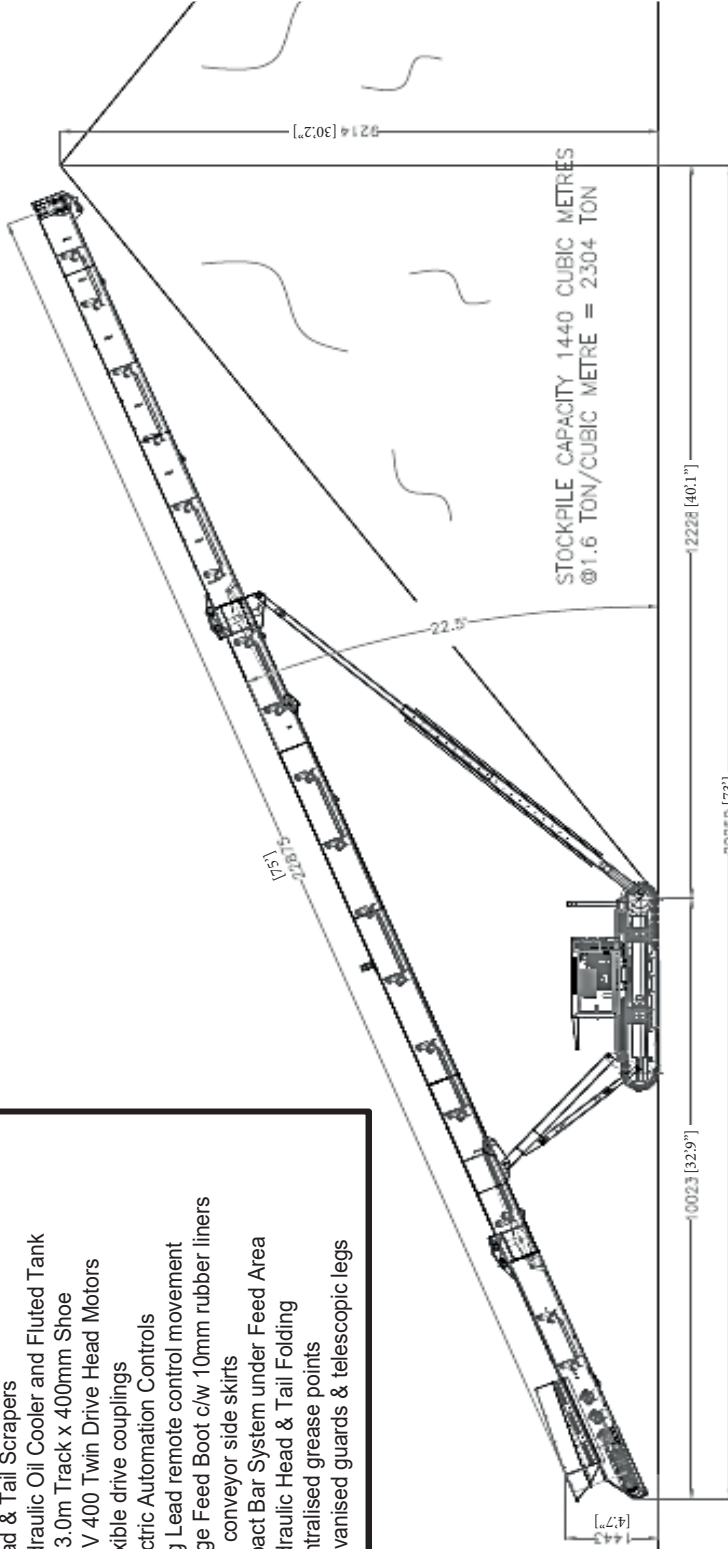
**Visit our website for full inventory**  
**[www.barford.com](http://www.barford.com)**



# Barford TR8036 Tracked Conveyor

## Specification

- 24m (80ft) long Conveyor
- 900mm (36") Heavy 3 ply Belt
- CAT 2.2 engine 45kw (60hp)
- Lockable engine compartment
- Flashing beacon and warning siren
- Head & Tail Scrapers
- Hydraulic Oil Cooler and Fluted Tank
- On 3.0m Track x 400mm Shoe
- OMV 400 Twin Drive Head Motors
- Flexible drive couplings
- Electric Automation Controls
- Dog Lead remote control movement
- Large Feed Boot c/w 10mm rubber liners
- Full conveyor side skirts
- Impact Bar System under Feed Area
- Hydraulic Head & Tail Folding
- Centralised grease points
- Galvanised guards & telescopic legs



INTERNAL DIMENSIONS OF A HIGH SHIPPING CONTAINER

Barford Equipment Ltd

TR8036  
Tracked Stockpile  
Conveyor

Date: 01/01/2017 TR8036-GA-001





# Barford TR6536 Tracked Stockpile Conveyor

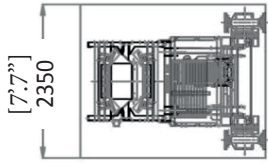


**Barford TR6536 Tracked Stockpile Conveyor 65ft x 36" c/w Large Rubber Lined Feed Hopper, Galvanized Inner Telescopic Legs, Galvanized Roller Guards, Cat 2.2 engine**

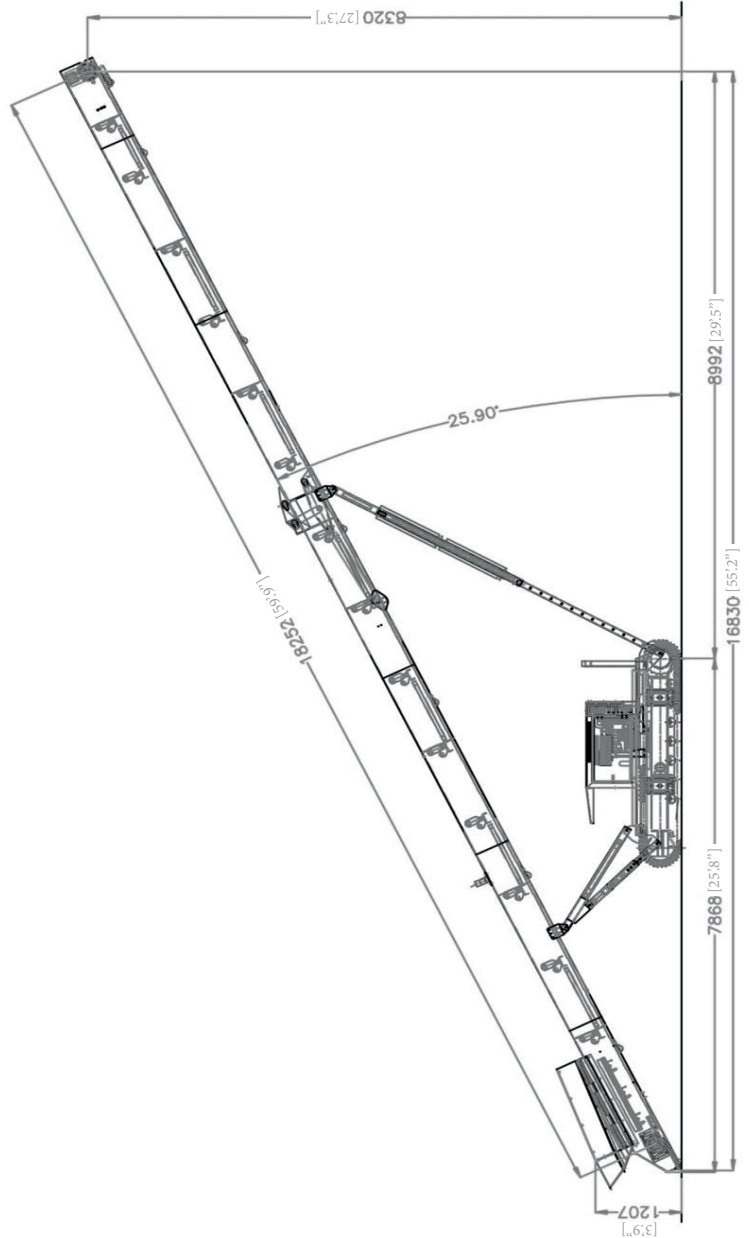
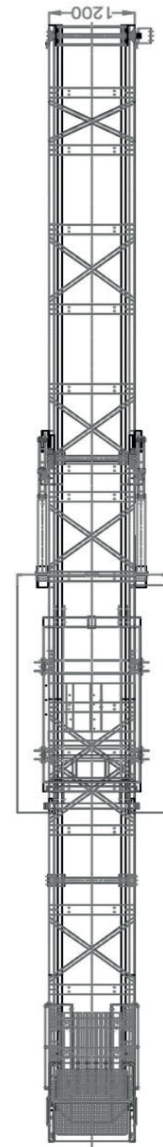
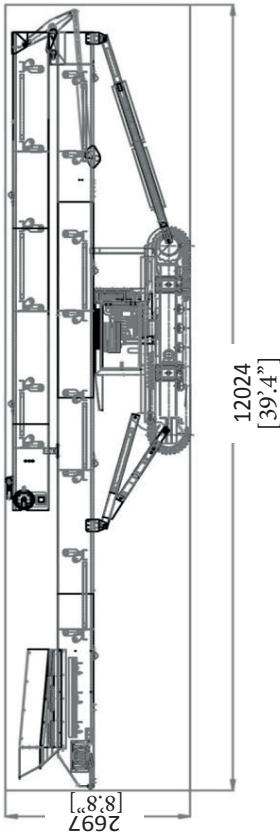
Visit our website for full inventory  
[www.barford.com](http://www.barford.com)



# Barford TR6536 Tracked Stockpile Conveyor



Internal sizes of 40ft High Cube Shipping Container



## Specification

- 65ft long Conveyor
- 900mm wide Heavy 3 ply Belt
- CAT 2.2 engine (50hp)
- Lockable engine compartment
- Flashing beacon and warning siren
- Head & Tail Scrapers
- Hydraulic Oil Cooler and Fluted Tank
- On 2.5 metre Track x 400mm Shoe
- OMV 500 Head Drive
- Flexible drive coupling
- Electric Automation Controls
- Dog Lead remote control movement
- Large Feed Boot c/w rubber liners
- 3m long conveyor side skirts
- Impact Bar System under Feed Area
- Hydraulic Head Folding
- Centralised grease points
- Galvanised guards & telescopic legs

**Barford Equipment Ltd**

**TR6536  
Tracked Conveyor**

**Date:- 01/01/2017 TR-6536-GA-001**





# Barford R6536TR Tracked Stockpile Conveyor



**Radial Tracked Stockpile Conveyor 65ft x 36", Hydraulic Drive Slewing Wheels, Crawler Tracks at Feed Hopper, Rubber Lined Feed Hopper. Hydraulic Raise/Lower. Galvanized Inner Telescopic Legs. Galvanized Roller Guards. Cat 2.2 Engine**

**Visit our website for full inventory**  
**[www.barford.com](http://www.barford.com)**





# Barford W5032 Wheeled Conveyor



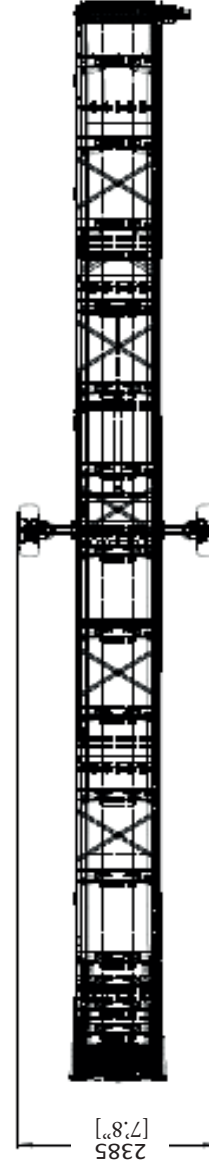
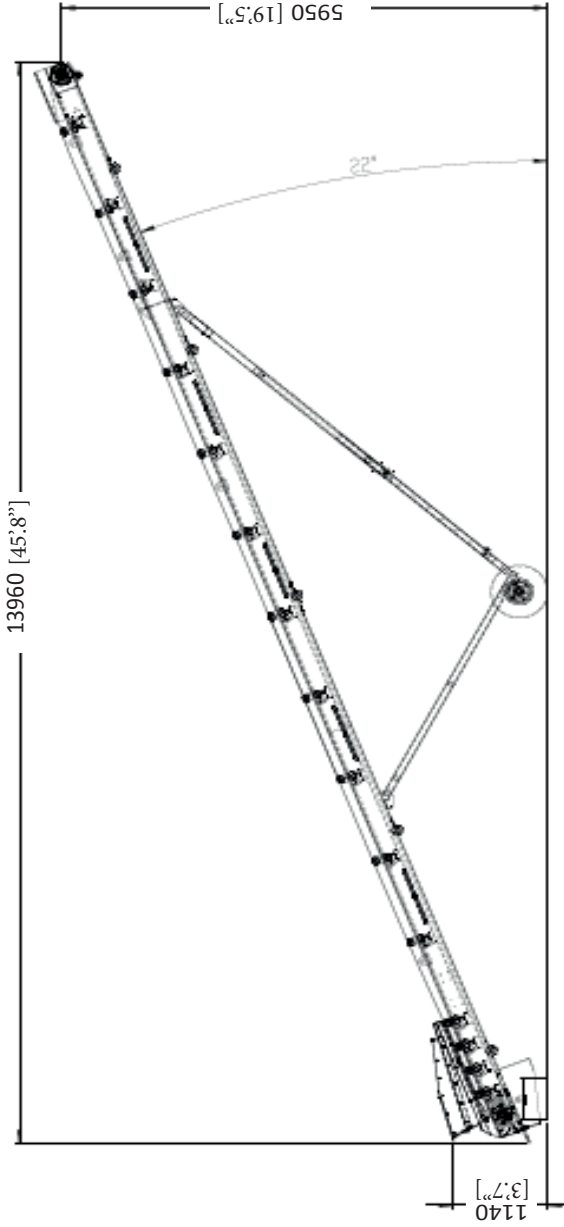
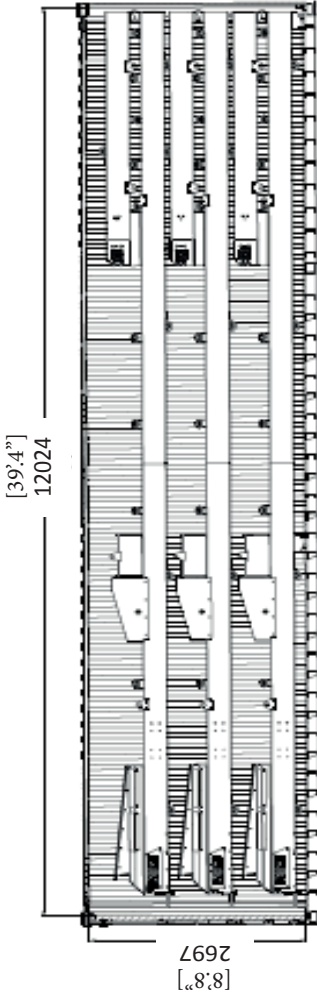
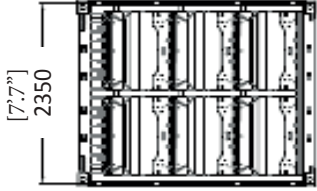
Radial Wheeled Stockpiler, Hydraulic Drive, 15.0m x 800mm Conveyor, 250 Tons per Hour

Visit our website for full inventory  
[www.barford.com](http://www.barford.com)



# Barford W5032 Wheeled Conveyor

6no. W5032 Units:-  
40ft High Cube Container



### Specification

- 50ft long Conveyor
- 800mm wide 2 ply Belt (5mm cover)
- Base Ballast Weight
- Hydraulic plug-in drive
- Head & Tail Scrapers
- 9.00x15.3 Swivelling Wheels
- 10/75 15.3 10 ply Tubeless Tyres
- OMV 400 Head Drive
- Flexible drive coupling
- Feed Boot c/w rubber liners
- Clustered rollers under Feed Area
- Head Section Folding
- Centralised grease points
- Galvanised guards & telescopic legs

**Barford Equipment Ltd**

**W5032  
Wheeled Conveyor**

Date:- 01/01/2017 W-5032-GA-001





# Barford D15 Dump Trailer



**15 Ton Twin Axle Dump Trailer c/w Sprung Draw Bar, Hydraulic Up & Over Tail Door, Hydraulic brakes, 10 stud axle, Mudguards, Mud Flaps, LED Lights**

Visit our website for full inventory  
[www.barford.com](http://www.barford.com)





# Barford D16 Dump Trailer



**16 Ton Twin Axle Dump Trailer c/w Sprung Draw Bar, Hydraulic Up & Over Tail Door, Hydraulic brakes, 10 stud axle, Mudguards, Mud Flaps, LED Lights**

Visit our website for full inventory  
[www.barford.com](http://www.barford.com)



# Barford MP14 Dump Trailer



**14 Ton Twin Axle Multi Purpose Dump Trailer c/w Aluminium Ramps, Sprung Draw Bar**  
**Options: Commercial Axles, Air Brakes, Hardox Floor**

---

Visit our website for full inventory  
[www.barford.com](http://www.barford.com)

---





# Barford 750l Material Distribution Trailer



**Twin Axle material distribution trailer c/w 10 stud axles, transfer & front sliding conveyor, 3ply 5mm cover belt**

Visit our website for full inventory  
[www.barford.com](http://www.barford.com)





# Barford L22 Low Loader



**19 Ton Twin Axle Low Loader 22ft Long Chassis, Twin Sprung Braked 8 stud Axles c/w Twin Wheels, Sprung Drawbar, Solid Sprung Ramps, Timber Floor, Bucket Well, 2no. Tool boxes. Options: Commercial Axles, Air Brakes, Hydraulic Ramps, Bale Wedge, Bale Rack**

**Visit our website for full inventory**  
**[www.barford.com](http://www.barford.com)**



# Barford L27 Low Loader



**27 Ton Tri Axle Low Loader 28ft Long Chassis, Twin Sprung Braked 8 Stud Axles, Hydraulic Brakes, Twin Wheels, Sprung Drawbar, Timber Floor, Bucket Well, Heavy Duty Ramps  
Options: Commercial Axles, Air Brakes, Hydraulic Ramps, Bale Wedge, Bale Rack**

**Visit our website for full inventory**  
**[www.barford.com](http://www.barford.com)**