

# DRUM HANDLING EQUIPMENT

For Steel, Fiber and Plastic Drums



Beacon Industries, Inc.  
12300 Old Tesson Rd.  
St. Louis, MO 63128-2247 USA  
Phone: (314) 487-7600 Fax: (314) 487-0100  
E-Mail: [sales@beacontechology.com](mailto:sales@beacontechology.com)  
[beacontechology.com](http://beacontechology.com)

# DRUM PICKER

BDRUM

The Drum Jacks, models **BDRUM-55FP** and **BDRUM-55S**, are the perfect solution to any of your drum transporting needs. Compact design allows for maximum maneuverability in restrictive areas. Constructed of steel with capacities up to 1,000 lbs. The unique pallet jack handle design allows quick and familiar operation.

Model **BDRUM-55FP** has an adjustable beak design which allows it to grab just about any drum - 30 & 55 gallon steel, plastic or fiber drums. With a 20 inch vertical lift, drums can be placed or removed from pallets, spill containers and scales.

Model Number	Lift Height	Capacity (pounds)	Overall Size (W x L x H)
BDRUM-55-FP	20"	1,000	43-1/2" x 39" x 48"

Model **BDRUM-55S** has a unique grapple system which grasps the drum securely into the steel saddle prior to lifting it vertically. The drum is held in this position during transport, enabling open drums to be handled without spillage. Moving up and down ramps is now safe and easy. Quick and easy drum handling without using a dolly.

Model Number	Lift Height	Capacity (pounds)	Overall Size (W x L x H)
BDRUM-55S	5"	1,000	29" x 41" x 48"



BDRUM-55FP



BDRUM-55S

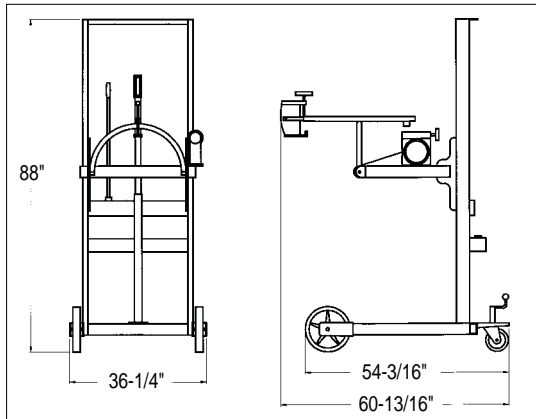
# PORTABLE DRUM LIFT

BDRUM-LRT

## Lift, Rotate and Transport 55 Gallon Steel Drums

The multifunctional unit, model **BDRUM-LRT**, has a hand pump that lifts drums from ground level to a raised height of 68", bottom of drum in horizontal position. A gear mechanism will provide a controlled rotation for the drum. A floor lock is standard to stabilize the unit in a fixed position.

Model **BDRUM-LRT-DC**, has a 12V DC battery powered lift operation and a gear mechanism rotation.



BDRUM-LRT-DC  
(12V DC Battery Lift)



BDRUM-LRT  
(Hand Pump Lift)

Model Number	Lift Operation	Lift* Height	Capacity (pounds)
BDRUM-LRT	Hand Pump	68"	550
BDRUM-LRT-DC	12V DC Battery	64"	550

\*Lift height is based on bottom of drum in horizontal position