



Quality Access Doors- FAST!

# SUBMITTAL/TECHNICAL DATA SHEET

## APPLICATION

For flush installation in walls or ceilings when it is required to conceal the door panel

## FEATURES

Door is recessed 1"

## SPECIFICATIONS

MATERIAL: Steel

DOOR: 16 gauge, Recessed 1"

MOUNTING FRAME: 14 gauge

HINGE: Concealed, pivoting rod type, for wall applications over 24"x24" we supply a concealed pin hinge

STANDARD LATCH: Flush to surface, screwdriver operated cam latch

OPTIONAL LATCHES/LOCKS: Cylinder lock and key, allen head cam latch, spanner head cam latch

FINISH: Steel: 5-stage iron phosphate preparation with prime coat of White alkylid baked-on enamel

SKU: **BA-AT-5020**

## SPECIALTY DOORS

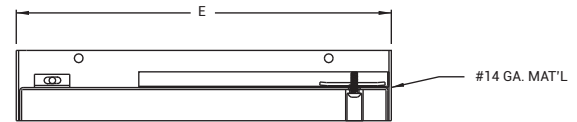
RECESSED ACCESS DOOR



## DIMENSIONS AND APPEARANCE

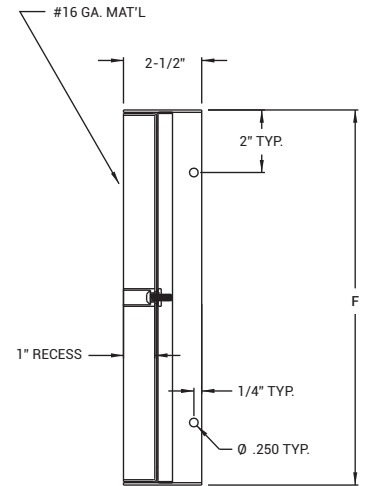
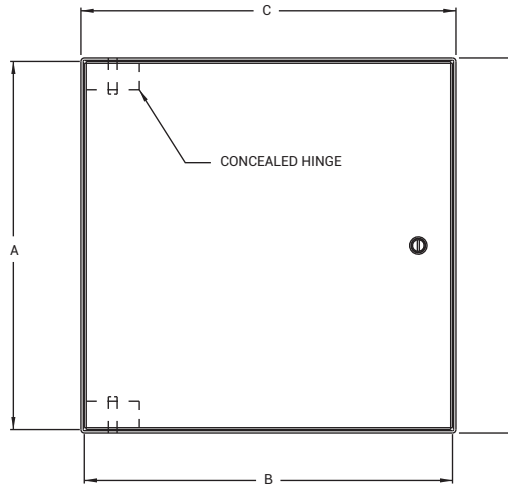
>> CLICK TO VIEW ADDITIONAL DETAILS AND PRICING <<

DOOR SIZE W x H INCHES (MM)	LATCHES	WEIGHT	
		LBS	KG
12 x 12 (305 x 305)	1	7	3.0
18 x 18 (457 x 457)	2	13	5.9
24 x 24 (610 x 610)	2	21	9.5
24 x 36 (610 x 914)	2	30	13.8



Wall or ceiling opening is  $W + 3/8"$  (9 mm)  
For detailed specifications see submittal sheet

MANUFACTURED BY ACUDOR



For a complete list of options visit  
[www.BestAccessDoors.com](http://www.BestAccessDoors.com)

## PROJECT DATA

Custom Sizes Available - Fast!

PROJECT NAME :	QTY	W	H	OPTIONS
ARCHITECT :				
DEALER :				
CONTRACTOR :				
LOCATION :	SPECIAL INSTRUCTIONS :			
DATE :				
TAGGING INSTRUCTIONS :	SUBMITTAL APPROVAL : (signature or stamp)			

Scan or Click



To view Pricing and Additional Product Info.

TELEPHONE:  
1-800-483-0823  
FAX:  
1-888-828-6021



228 PARK AVE. S. #76520  
NEW YORK, NY, 10003



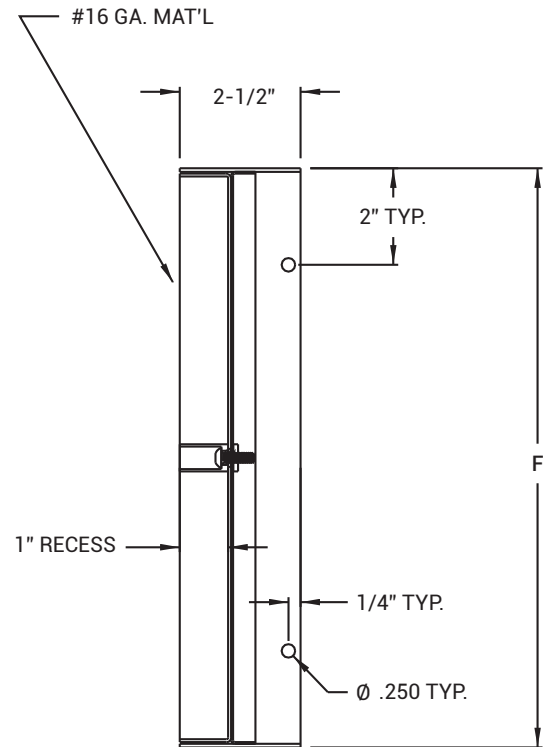
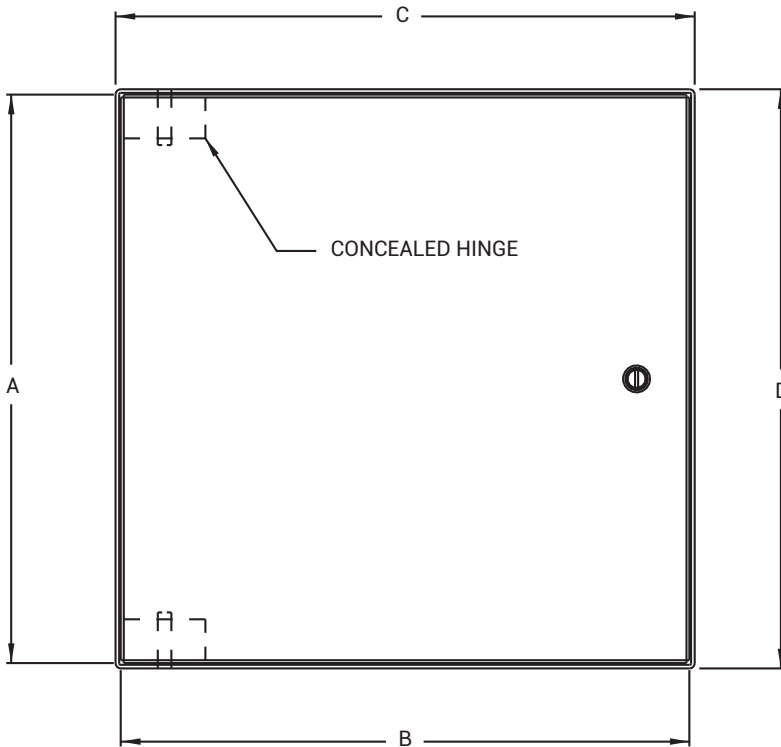
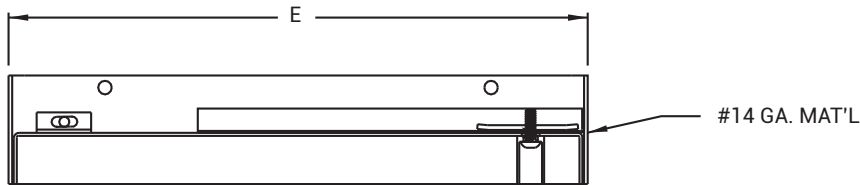
WEBSITE:  
[www.BestAccessDoors.com](http://www.BestAccessDoors.com)

E-MAIL:  
[info@bestaccessdoors.com](mailto:info@bestaccessdoors.com)

# BA-AT-5020

## SPECIALTY DOORS RECESSED ACCESS DOOR

NOMINAL DOOR SIZE	A	B	C	D	E	F	LOCK
Inches (mm)							
12 x 12 (305 x 305)	11.81 (300)	11.81 (300)	12.00 (305)	12.00 (305)	12.00 (305)	12.00 (305)	1
18 x 18 (457 x 457)	17.81 (452)	17.81 (452)	18.00 (457)	18.00 (457)	18.00 (457)	18.00 (457)	2
24 x 24 (610 x 610)	23.81 (605)	23.81 (605)	24.00 (610)	24.00 (610)	24.00 (610)	24.00 (610)	2
24 x 36 (610 x 914)	35.81 (910)	23.81 (605)	24.00 (610)	36.00 (914)	24.00 (610)	36.00 (914)	2



MANUFACTURED BY ACUDOR