



Quality Access Doors- FAST!

SUBMITTAL/TECHNICAL DATA SHEET

APPLICATION

- Installation in Drywall, Plaster, Masonry, Tile or any flush surface
- Economical and attractive access door for walls & ceilings

FEATURES

- Formed door panel
- Concealed hinge

SPECIFICATIONS

MATERIAL: 18 gauge steel door and frame

DOOR: Flush to frame with reinforced edges

DOOR FRAME: 1" wide outside flange with 1 7/16" deep mounting Frame: Knock over mounting tabs provided on 6x6, 8x8, 10x10 and 12x12

HINGE: Concealed Hinge Pin

LATCH: Stainless steel slot screw-driver operated cam latch

FINISH: 5 Stage iron phosphate preparation with prime coat of White alkyd baking enamel

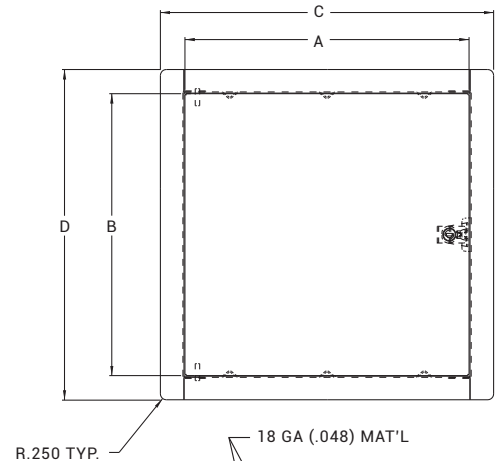


SKU: **BA-ED-2002**
UNIVERSAL FLUSH

■ DIMENSIONS AND APPEARANCE >> CLICK TO VIEW ADDITIONAL DETAILS AND PRICING <<

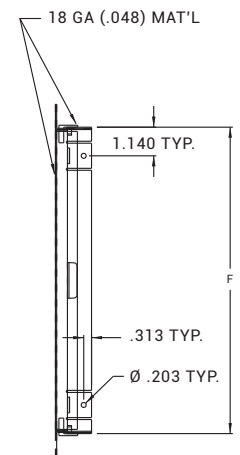
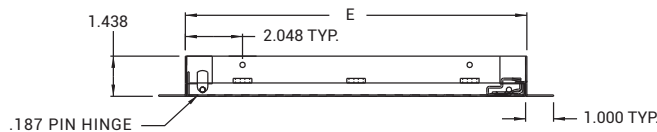
STANDARD SIZES:

DOOR SIZE W x H INCHES (MM)	LATCHES	WEIGHT	
		LBS	KG
6 x 6 (152 x 152)	1	1.7	0.8
8 x 8 (203 x 203)	1	2.5	1.1
10 x 10 (254 x 254)	1	3.5	1.6
12 x 12 (305 x 305)	1	4.6	2.1
14 x 14 (356 x 356)	1	5.8	2.6
16 x 16 (406 x 406)	1	7.2	3.3
18 x 18 (457 x 457)	1	8.8	4.0
20 x 20 (508 x 508)	1	10.4	4.7
24 x 24 (610 x 610)	1	14.2	6.4
24 x 36 (610 x 914)	2	17.0	7.7



Wall opening is $W + 3/8"$ (9 mm)
 For detailed specifications see submittal sheet

MANUFACTURED BY ACUDOR



For a complete list of options visit www.BestAccessDoors.com

■ PROJECT DATA

Custom Sizes Available - Fast!

PROJECT NAME :	QTY	W	H	OPTIONS
ARCHITECT :				
DEALER :				
CONTRACTOR :				
LOCATION :	SPECIAL INSTRUCTIONS :			
DATE :				
TAGGING INSTRUCTIONS :	SUBMITTAL APPROVAL : (signature or stamp)			

Scan or Click



To view Pricing and Additional Product Info.

TELEPHONE:
1-800-483-0823
 FAX:
1-888-828-6021



228 PARK AVE. S. #76520
 NEW YORK, NY, 10003

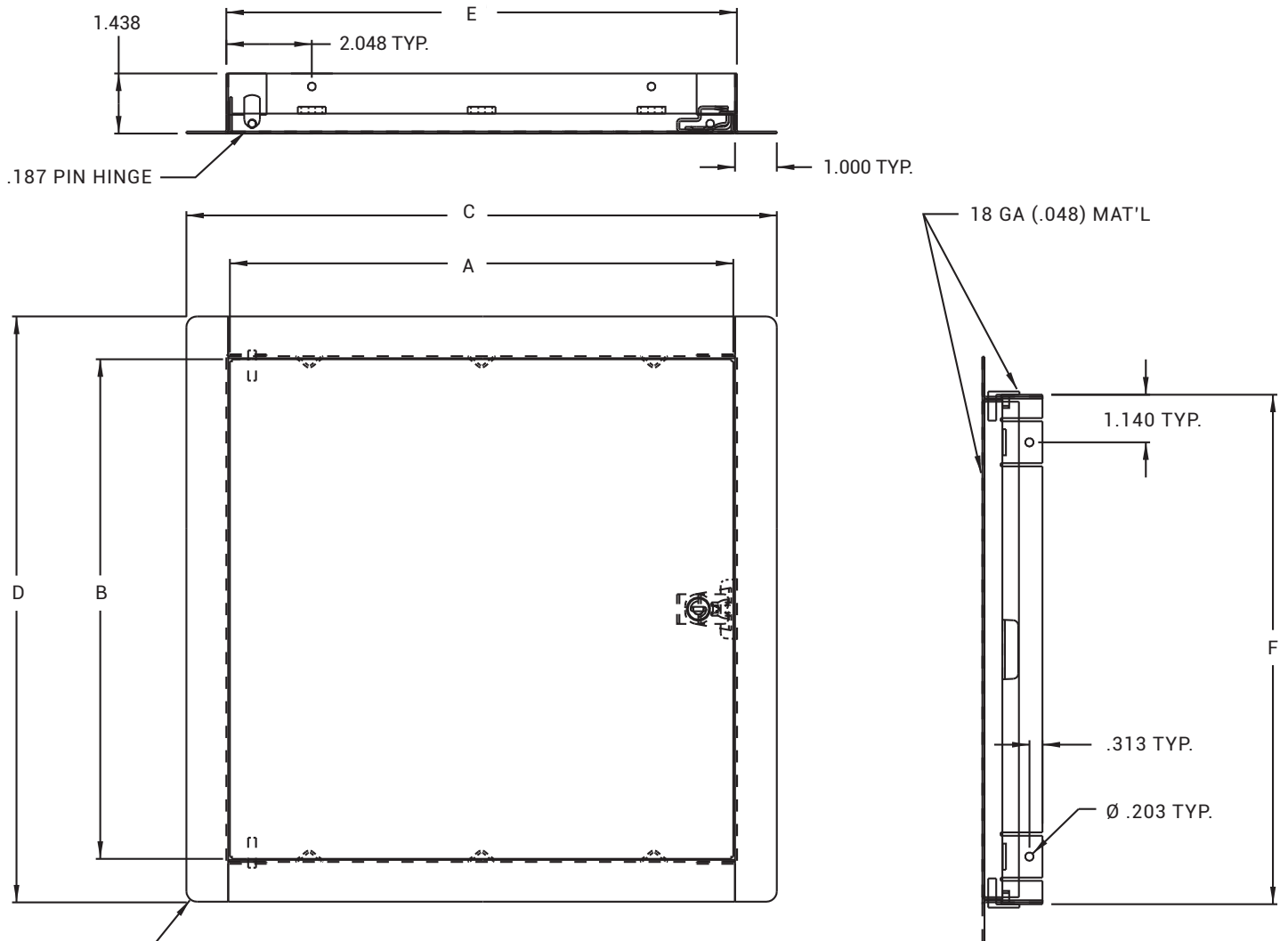


WEBSITE:
www.BestAccessDoors.com
 E-MAIL:
info@BestAccessDoors.com

BA-ED-2002 FLUSH ACCESS DOOR

NOMINAL DOOR SIZE	A	B	C	D	E	F	LOCK
6 x 6 (152 x 152)	6.04 (153)	5.95 (151)	8.125 (206)	8.00 (203)	6.22 (152)	6.19 (158)	1
8 x 8 (203 x 203)	8.04 (204)	7.95 (202)	10.125 (257)	10.00 (254)	8.22 (203)	8.19 (208)	1
10 x 10 (254 x 254)	10.04 (255)	9.95 (253)	12.125 (308)	12.00 (305)	10.22 (250)	10.19 (250)	1
12 x 12 (305 x 305)	12.04 (306)	11.95 (304)	14.125 (359)	14.00 (356)	12.22 (304)	12.19 (304)	1
14 x 14 (356 x 356)	14.04 (357)	13.95 (354)	16.125 (410)	16.00 (406)	14.22 (356)	14.19 (356)	1
16 x 16 (406 x 406)	16.04 (408)	15.95 (405)	18.125 (460)	18.00 (457)	16.22 (356)	16.19 (356)	1
18 x 18 (457 x 457)	18.04 (458)	17.95 (456)	20.125 (511)	20.00 (508)	18.22 (457)	18.19 (457)	1
20 x 20 (508 x 508)	20.04 (509)	19.95 (507)	22.125 (562)	22.00 (559)	20.22 (508)	20.19 (508)	1
24 x 24 (610 x 610)	24.04 (611)	23.95 (608)	26.125 (663)	26.00 (660)	24.22 (610)	24.19 (610)	1
*24 x 36 (610 x 914)	24.04 (611)	35.95 (913)	26.125 (663)	38.00 (965)	24.25 (610)	36.25 (921)	2

* NOTE: 24 x 36 - FRAME MADE WITH 16 GA (.060) MAT'L



MANUFACTURED BY ACUDOR