

# PM2 SQSHXVO C

## PRISM Shower Range Prism Exposed Sequential Shower Valve Only Chrome



### Features:

- 15mm inlet connections
- Easy replacement with adjustable inlets so you can use on existing pipework centres between 136mm and 158mm
- Thermostatic cartridge with preset temperature stop at 42°C
- Supplied with 2 x 8L/min flow regulators
- Bottom outlet

### Product Certifications:



WRAS Certificate No: 2205903  
WRAS Expiry Date: 31/05/2027

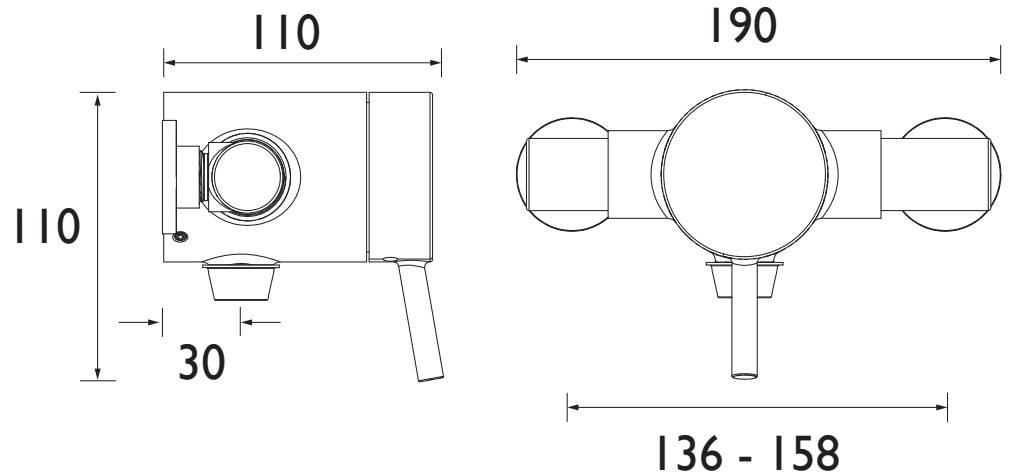
For more products, visit our website:  
<http://www.bristan.com>



### Specification

Finish/Colour:	Chrome Plated
Main Construction Material:	Brass
No of Controls:	1
Shower Type:	Sequential
Shower Head Type:	None
Shower Kit:	N/A
Valve/Cartridge Type:	Sequential Cartridge
Maximum Hot Water Supply Temperature °C:	65
Plumbing System Suitability:	Suitable for all plumbing systems
Minimum Dynamic Pressure (bar):	0.2
Maximum Dynamic Pressure (bar):	5
Maximum Static Pressure (bar):	10
Connection Inlet:	15mm Compression
Connection Outlet:	15mm Compression
Isolation Valve Included:	No
Check Valve Included:	Yes

### Dimensions (measurements in mm)



### Flow Rates (l/min)

System Pressure (bar)	0.2	0.5	1	2	3	5
Valve Only (mixed)	10.8	19.5	24.3	34.4	42.1	54.3
With Flow Limiters Fitted (mixed)	8.8	13.5	12.6	13.6	14.5	13.3

## TECHNICAL DATA SHEET



# BRISTAN

D5