

Product Name: SuperJoist Blocking

Product Category: Structural Metal Stud Framing:
Specification Section 05 40 00

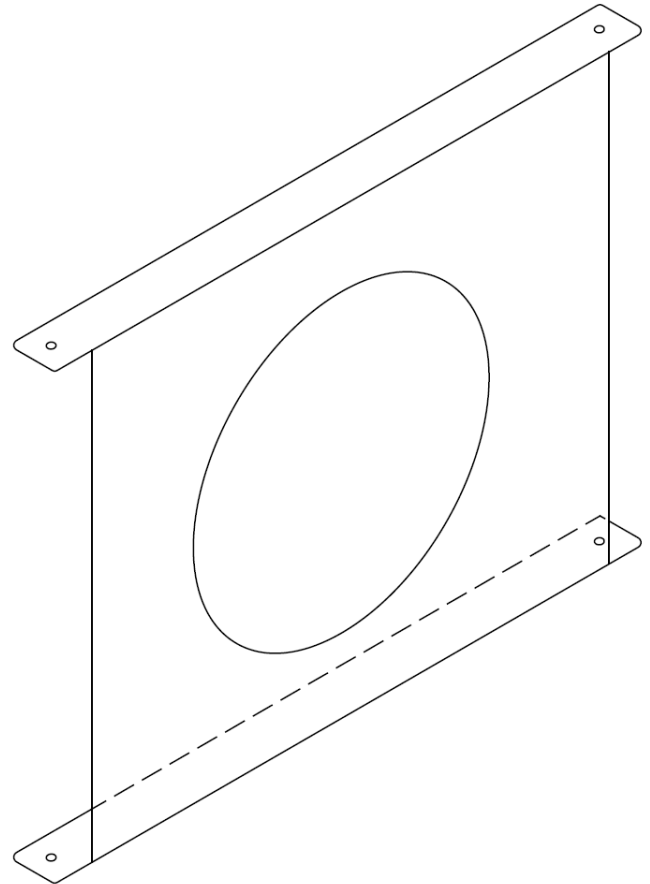
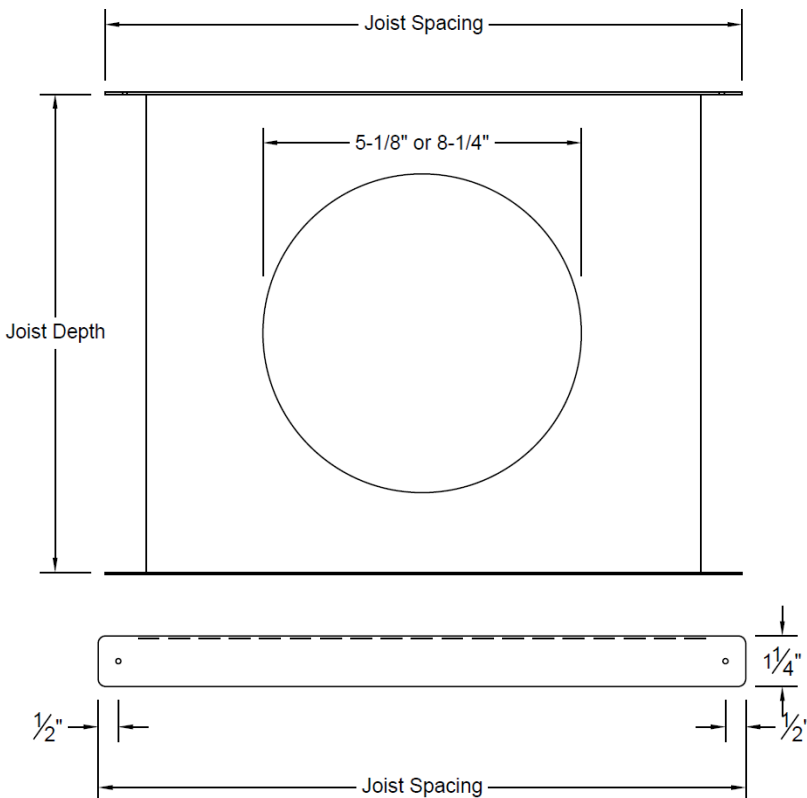
Available Coatings: G60 (standard)

Product Description: Structural blocking to prevent rotation of studs and joists. Blocking has been specially designed to both provide torsional stiffness and align studs to required spacing.

Material Notes: See table on next page for available combinations of joist depth, spacing, flange width, thickness, and yield strength

Web Depths: 8", 10", 12", 14", 16", 18"

Joist spacing: 16" (standard) 12" available



Super Stud products comply with the applicable provisions of the following:

- International Building Code (IBC) 2006 - 2015
- Sheet Steel: ASTM A1003 & ASTM A653
- Galvanized Coating: ASTM A653
- Members & Tolerances: ASTM C955
- Meets ASTM C1007 when installed properly in structure
- 3rd Party Certification: Manufacturing verified and inspected by Home Innovation Research Labs, Inc.

SuperJoist Blocking Sizes

(all values in inches unless noted)

Joist depth	Spacing	Flange width	Product Name	Min Thickness	Gauge	Yield Strength	Hole Diameter (inches)
8	16	2	8000SJB200-16 OC BLOCKING	0.0428	18	33	8.25
8	16	2.5	8000SJB250-16 OC BLOCKING	0.0428	18	33	8.25
8	16	3	8000SJB300-16 OC BLOCKING	0.0428	18	33	8.25
8	16	3.5	8000SJB350-16 OC BLOCKING	0.0428	18	33	8.25
8	12	2	8000SJB200-12 OC BLOCKING	0.0428	18	33	5.125
8	12	2.5	8000SJB250-12 OC BLOCKING	0.0428	18	33	5.125
8	12	3	8000SJB300-12 OC BLOCKING	0.0428	18	33	5.125
8	12	3.5	8000SJB350-12 OC BLOCKING	0.0428	18	33	5.125
10	16	2	1000SJB200-16 OC BLOCKING	0.0428	18	33	8.25
10	16	2.5	1000SJB250-16 OC BLOCKING	0.0428	18	33	8.25
10	16	3	1000SJB300-16 OC BLOCKING	0.0428	18	33	8.25
10	16	3.5	1000SJB350-16 OC BLOCKING	0.0428	18	33	8.25
10	12	2	1000SJB200-12 OC BLOCKING	0.0428	18	33	5.125
10	12	2.5	1000SJB250-12 OC BLOCKING	0.0428	18	33	5.125
10	12	3	1000SJB300-12 OC BLOCKING	0.0428	18	33	5.125
10	12	3.5	1000SJB350-12 OC BLOCKING	0.0428	18	33	5.125
12	16	2	1200SJB200-16 OC BLOCKING	0.0428	18	33	8.25
12	16	2.5	1200SJB250-16 OC BLOCKING	0.0428	18	33	8.25
12	16	3	1200SJB300-16 OC BLOCKING	0.0428	18	33	8.25
12	16	3.5	1200SJB350-16 OC BLOCKING	0.0428	18	33	8.25
12	12	2	1200SJB200-12 OC BLOCKING	0.0428	18	33	5.125
12	12	2.5	1200SJB250-12 OC BLOCKING	0.0428	18	33	5.125
12	12	3	1200SJB300-12 OC BLOCKING	0.0428	18	33	5.125
12	12	3.5	1200SJB350-12 OC BLOCKING	0.0428	18	33	5.125
14	16	2	1400SJB200-16 OC BLOCKING	0.0428	18	33	8.25
14	16	2.5	1400SJB250-16 OC BLOCKING	0.0428	18	33	8.25
14	16	3	1400SJB300-16 OC BLOCKING	0.0428	18	33	8.25
14	16	3.5	1400SJB350-16 OC BLOCKING	0.0428	18	33	8.25
14	12	2	1400SJB200-12 OC BLOCKING	0.0428	18	33	5.125
14	12	2.5	1400SJB250-12 OC BLOCKING	0.0428	18	33	5.125
14	12	3	1400SJB300-12 OC BLOCKING	0.0428	18	33	5.125
14	12	3.5	1400SJB350-12 OC BLOCKING	0.0428	18	33	5.125
16	16	2	1600SJB200-16 OC BLOCKING	0.0538	16	50	8.25
16	16	2.5	1600SJB250-16 OC BLOCKING	0.0538	16	50	8.25
16	16	3	1600SJB300-16 OC BLOCKING	0.0538	16	50	8.25
16	16	3.5	1600SJB350-16 OC BLOCKING	0.0538	16	50	8.25
16	12	2	1600SJB200-12 OC BLOCKING	0.0538	16	50	5.125
16	12	2.5	1600SJB250-12 OC BLOCKING	0.0538	16	50	5.125
16	12	3	1600SJB300-12 OC BLOCKING	0.0538	16	50	5.125
16	12	3.5	1600SJB350-12 OC BLOCKING	0.0538	16	50	5.125
18	16	2	1800SJB200-16 OC BLOCKING	0.0538	16	50	8.25
18	16	2.5	1800SJB250-16 OC BLOCKING	0.0538	16	50	8.25
18	16	3	1800SJB300-16 OC BLOCKING	0.0538	16	50	8.25
18	16	3.5	1800SJB350-16 OC BLOCKING	0.0538	16	50	8.25
18	12	2	1800SJB200-12 OC BLOCKING	0.0538	16	50	5.125
18	12	2.5	1800SJB250-12 OC BLOCKING	0.0538	16	50	5.125
18	12	3	1800SJB300-12 OC BLOCKING	0.0538	16	50	5.125
18	12	3.5	1800SJB350-12 OC BLOCKING	0.0538	16	50	5.125