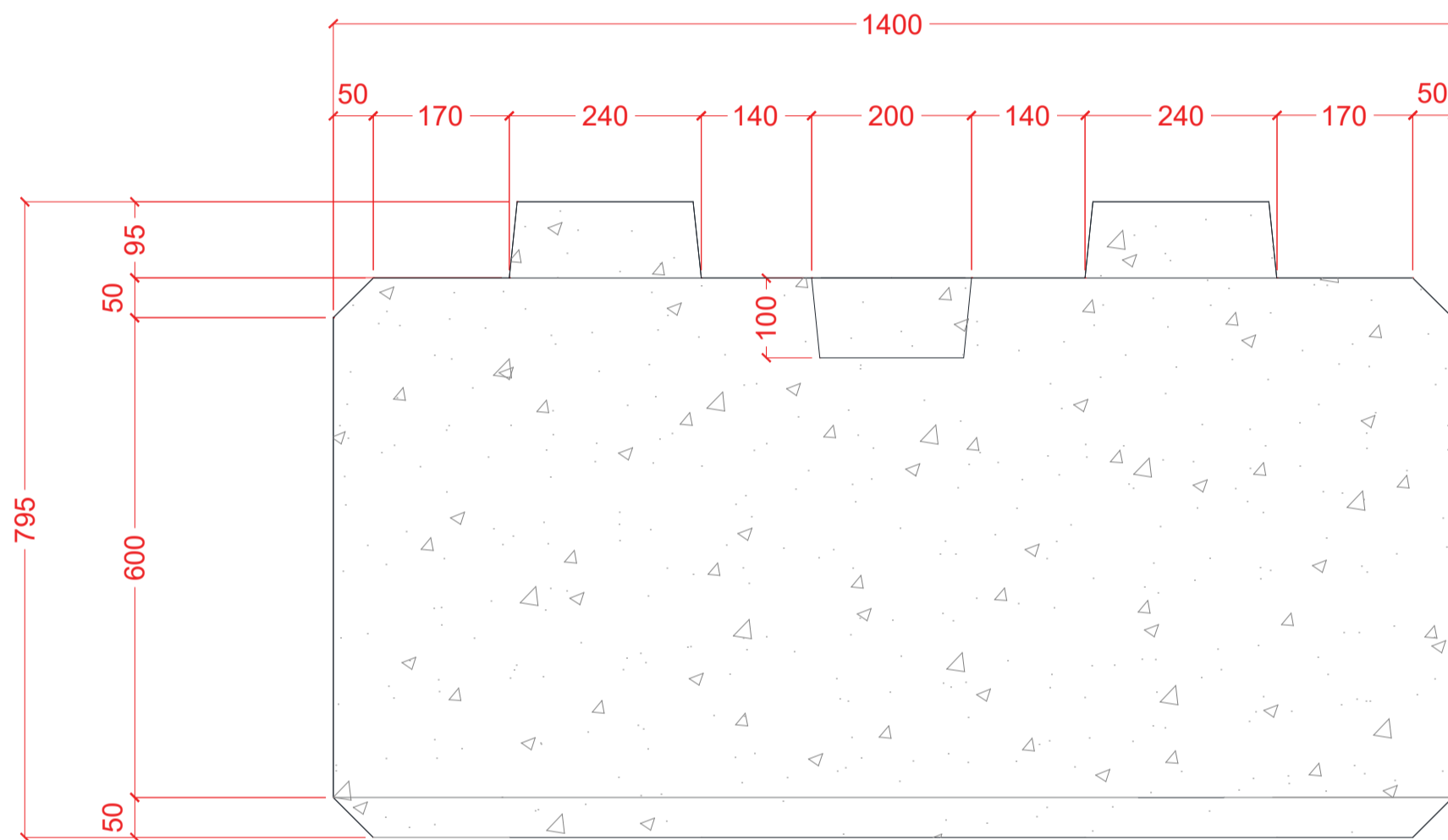
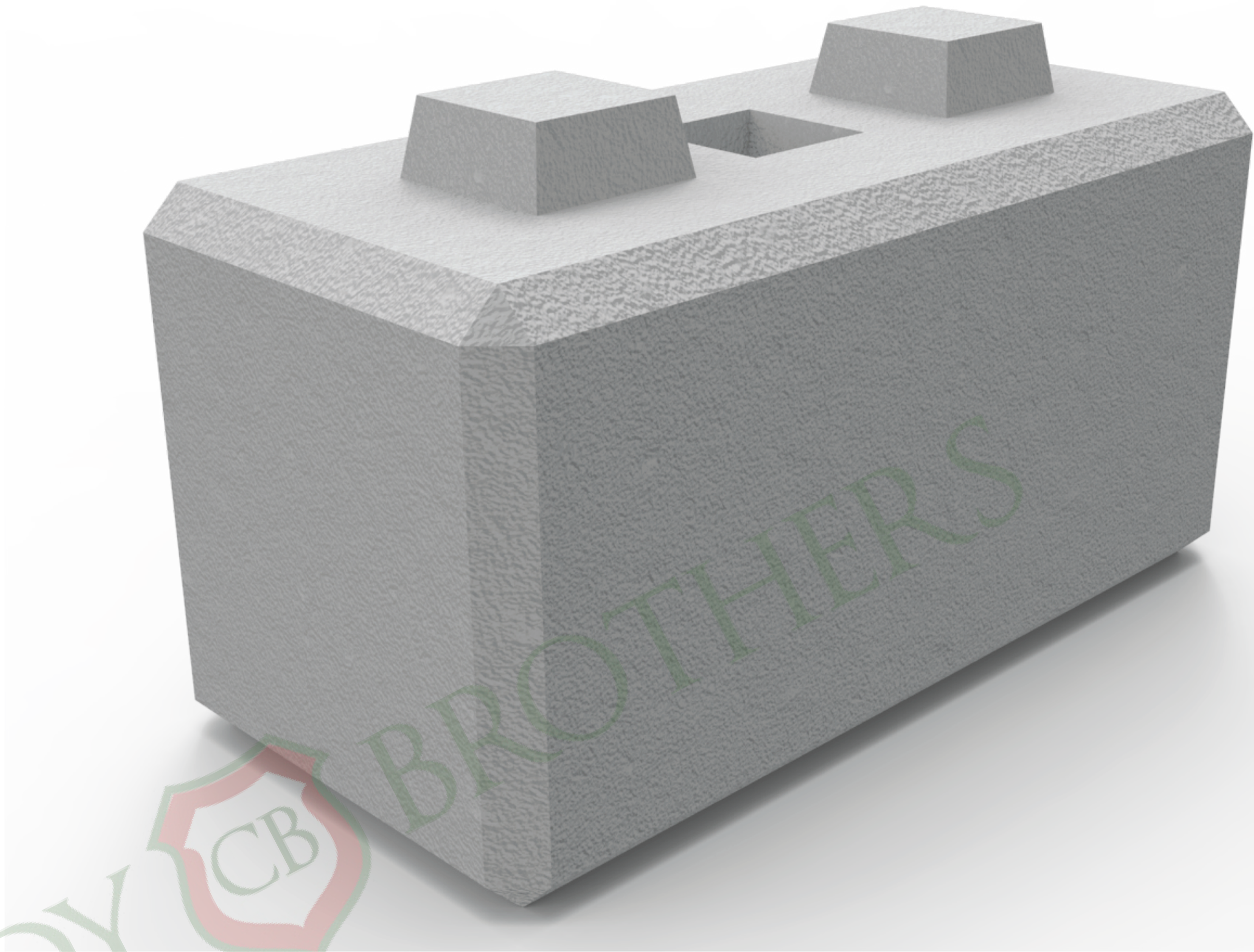
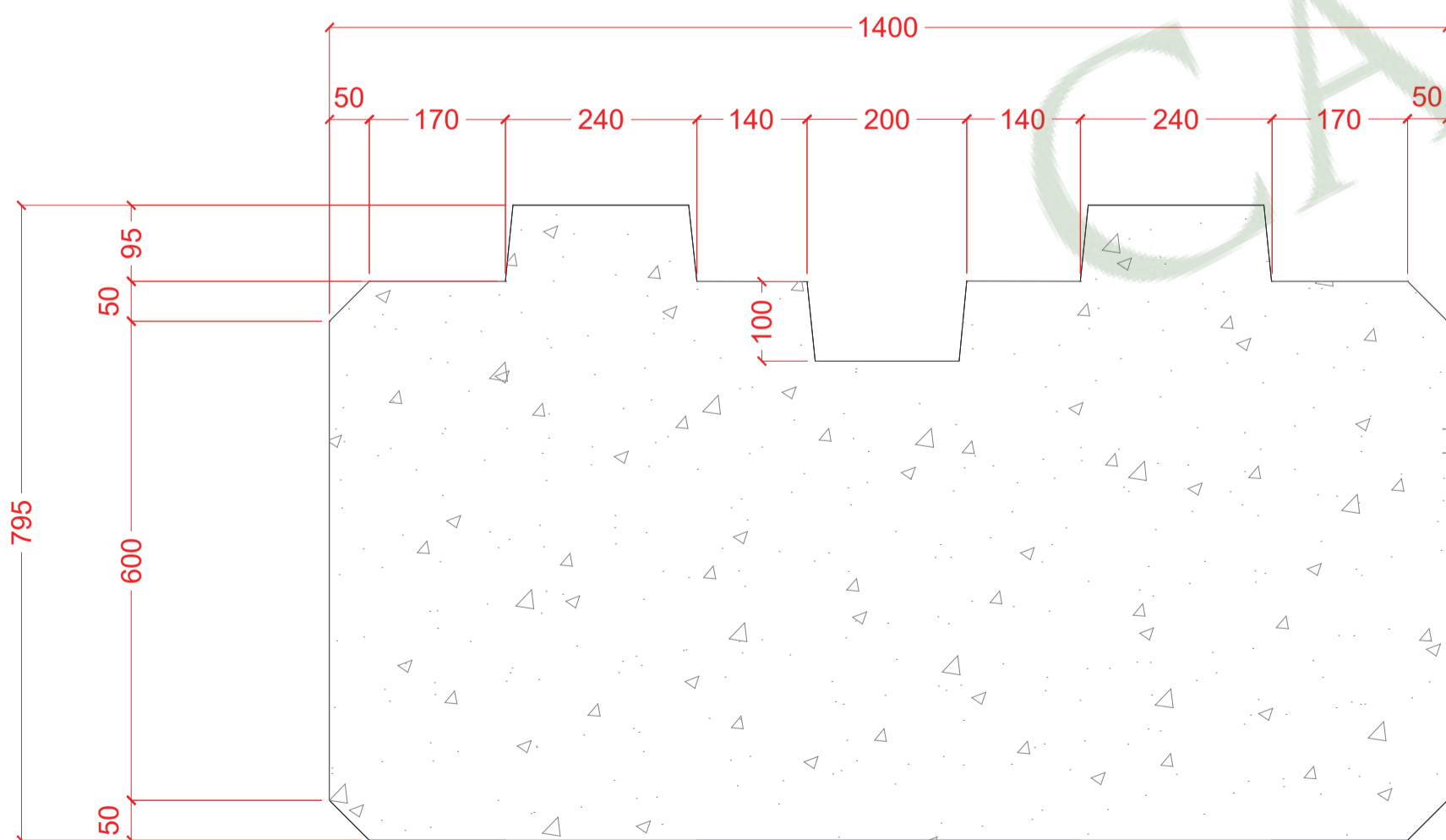


Kelly Block

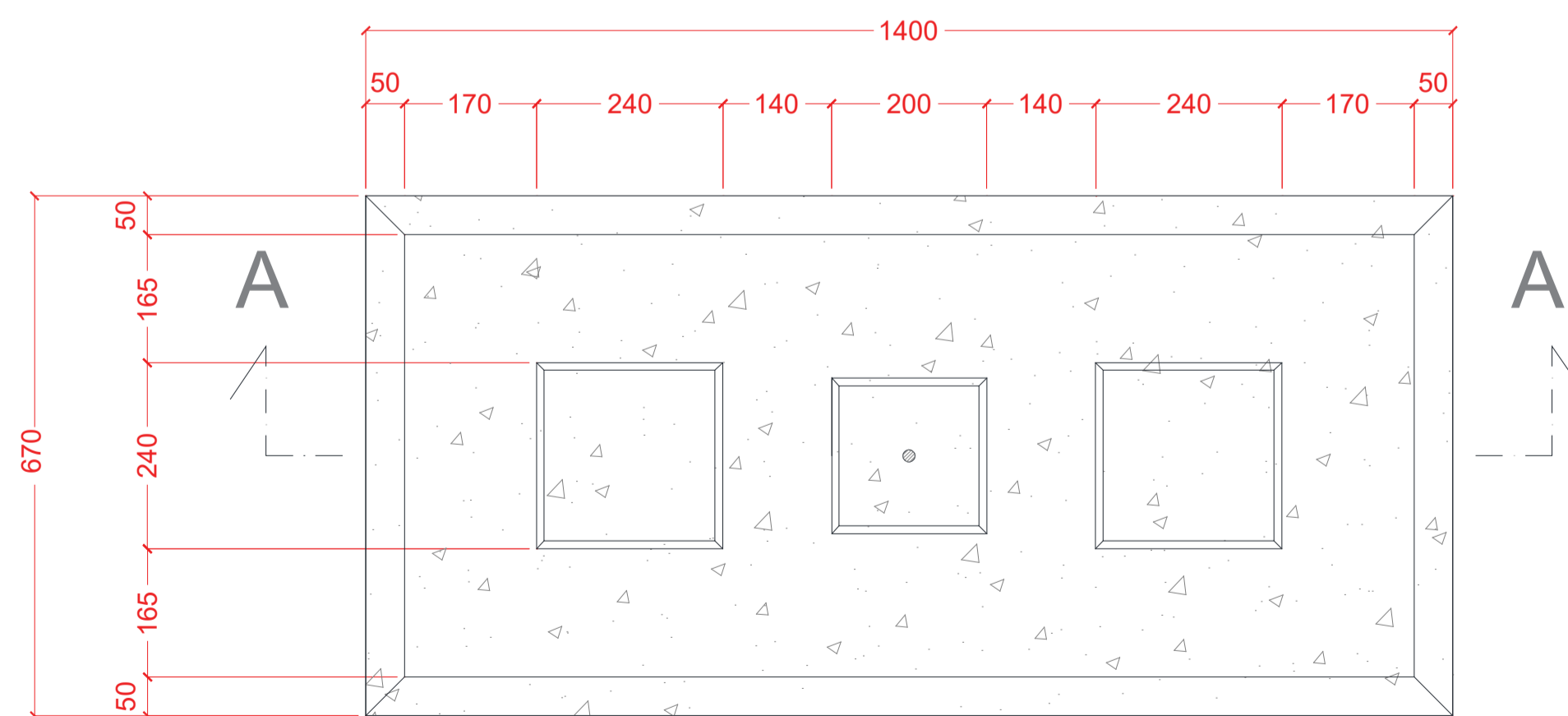
WEIGHT 1600 KG
50mm CHAMFER ON EDGES
CONCRETE 30/35 N/mm



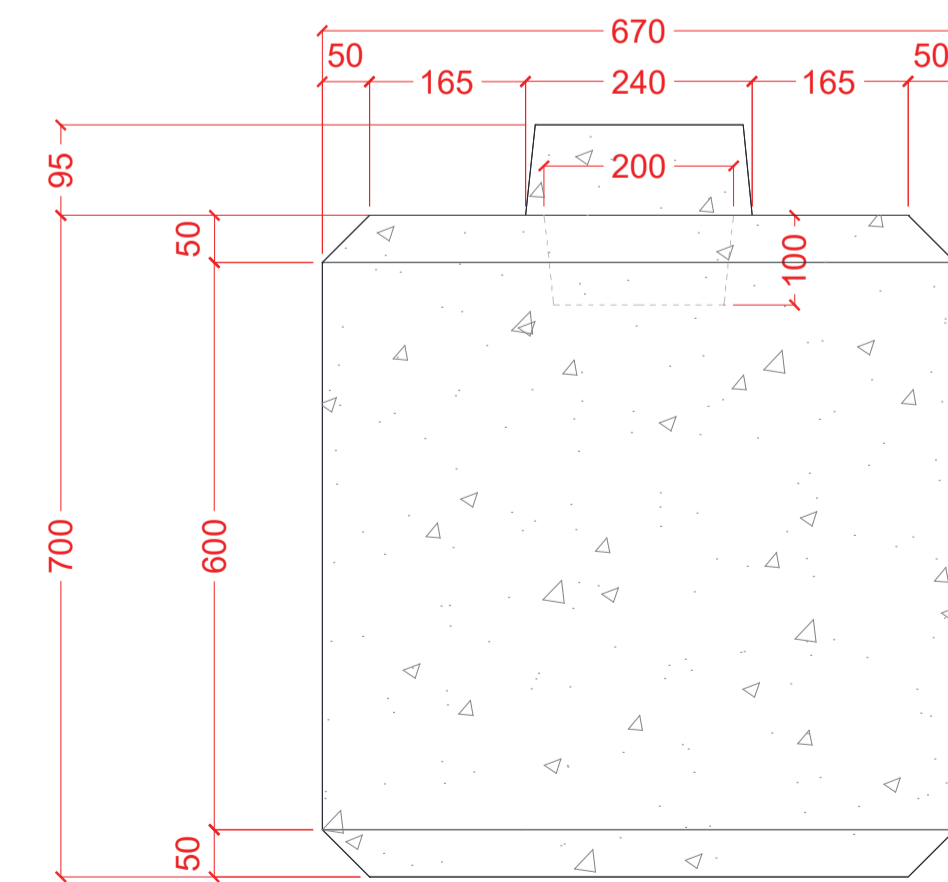
FRONT ELEVATION



SECTION A-A



PLAN



SIDE ELEVATION