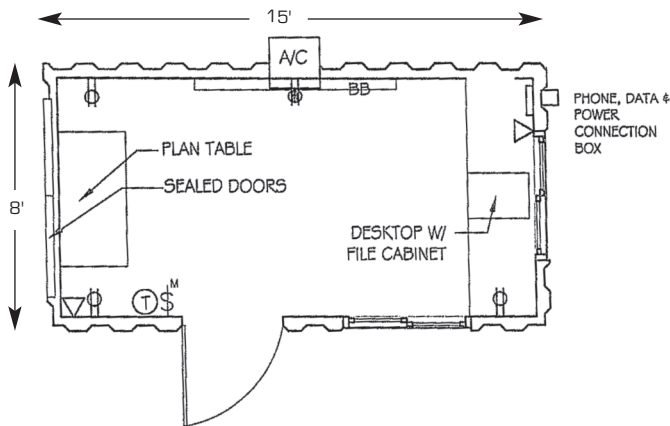


CASSONE

OFFICE CONTAINER OC15 1 OFFICE



ADDITIONAL FLOOR PLANS ARE AVAILABLE. FLOOR PLANS AND SPECIFICATIONS MAY VARY FROM THOSE SHOWN ABOVE AND ARE SUBJECT TO AVAILABILITY.

NOTES: _____

CUSTOMER APPROVAL

Customer Signature _____ Date _____

Print Name _____



OC15 1 OFFICE FEATURES

SIZE

- 8' x 15' Box

INTERIOR

- 1 Office
- VCG Interior Walls
- Vinyl Floors

ELECTRIC

- Fluorescent Ceiling Lights
- 100 Amp Breaker Panel

WINDOWS AND DOORS

- 46" x 27" Sliding Windows
- Steel Exterior Doors

HEATING AND COOLING

- 1 Thru Wall AC Unit
- Electric Baseboard Heat

EXTERIOR

- Reinforced Corrugated Steel
- Security Package Available

1.800.640.8844 or 631.585.7800

1900 Lakeland Avenue, Ronkonkoma, New York 11779
FAX: 631.585.7895 ■ WBE & DBE CERTIFIED



WWW.CASSONE.COM