

General description

The insulated access doors for rectangular ducting (INSUL-FAD) and for round ducting (INSUL-CAD) consist of two panels connected between themselves with two screws, springs and knobs. The **insulated** inner panel, fitted with a polyethylene sheet of 6 mm thickness, will be slid inside the duct, and the outside panel will then be compressed by tightening both knobs.



Access doors allow easy admittance to the ventilation ducting for the purpose of inspection and cleaning.

- Available for high temperature : HT-INSUL-CAD and HT-INSUL-FAD
- Available in stainless steel 304* : INSUL-CAD-SS and INSUL-FAD-SS
- Available for high temperature in stainless steel 304 * : HT-INSUL-CAD-SS and HT-INSUL-FAD-SS

* also available in stainless steel 316 on request

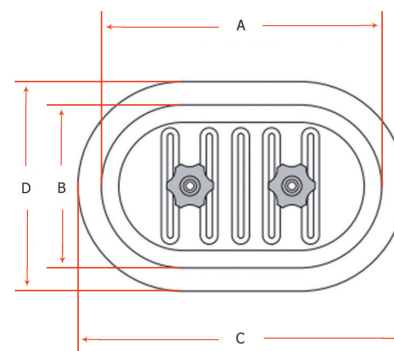
Technical specification

		INSUL	HT-INSUL	INSUL-SS	HT-INSUL-SS
PANELS	Material	Galvanized steel Z275		Stainless steel 304	
INSULATION AND SEALING GASKET	Material	Polyethylene	Ceramic	Polyethylene	Ceramic
	Thickness	6 mm	4 mm	6 mm	4 mm
	Density	+/- 33 Kg / m³	+/- 160 Kg / m³	+/- 33 Kg / m³	+/- 160 Kg / m³
COMPONENTS COMPRESSION SYSTEM	Screws	2 screws crimped on internal panel M8x100 or M10x100		2 stainless steel 304 screws crimped on internal panel M8x100 or M10x100	
	Springs	2 compressions springs			
	Knobs	2 plastic knobs with metal insert M8 or M10	2 steel knobs with metal insert M8 or M10	2 plastic knobs with metal insert M8 or M10	2 steel knobs with metal insert M8 or M10
OPERATING TEMPERATURES		Up to 80°C	Up to 200°C (will meet 400°/2h certification)	Up to 80°C	Up to 200°C (will meet 400°/2h certification)

Self-adhesive template comes with each door, for accurate cut-out

Sizes

Door type	Nominal sizes (mm)	Actual Dimensions (mm)			
		A	B	C	D
18	180 x 80	170	72	197	101
25	250 x 150	250	150	274	186
30	300 x 200	300	200	329	228
40	400 x 300	380	280	403	303
50	500 x 400	500	400	532	432
60	600 x 450	600	450	627	480



A & B = opening dimensions
C & D = external dimensions

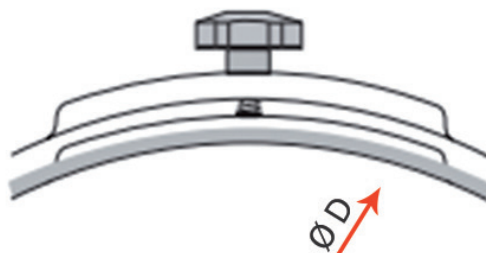
Information contained herein is based on careful tests and experience. It reflects our knowledge and is for guidance purpose only. It is given in good faith and user should ensure that the product is fit for purpose before any application. The quoted values are average and should not be taken as maximum or minimum values for specific purposes. Manufacturer and distributor are not responsible for any non-recommended use or consequential damage.

CAD selection chart for round ducting

Duct dia. \ Door size	180x80 mm	250x150 mm	300x200 mm	400x300 mm	500x400 mm	600x450 mm
100 mm	+	-	-	-	-	-
125 mm	+	+	-	-	-	-
140 mm	+	+	-	-	-	-
150 mm	+	+	-	-	-	-
160 mm	+	+	-	-	-	-
180 mm	-	+	-	-	-	-
200 mm	-	+	-	-	-	-
224 mm	-	+	-	-	-	-
250 mm	-	+	-	-	-	-
280 mm	-	+	+	-	-	-
300 mm	-	+	+	-	-	-
315 mm	-	+	+	-	-	-
355 mm	-	+	+	-	-	-
400 mm	-	-	+	+	-	-
450 mm	-	-	+	+	-	-
500 mm	-	-	+	+	-	-
550 mm	-	-	-	+	+	-
560 mm	-	-	-	+	+	-
600 mm	-	-	-	+	+	-
630 mm	-	-	-	+	+	-
700 mm	-	-	-	+	+	-
710 mm	-	-	-	+	+	-
800 mm	-	-	-	+	+	-
850 mm	-	-	-	+	+	-
900 mm	-	-	-	+	+	+
1000 mm	-	-	-	-	+	+
1120 mm	-	-	-	-	+	+
1250 mm	-	-	-	-	+	+
1400 mm	-	-	-	-	+	+
1500 mm	-	-	-	-	+	+
1600 mm	-	-	-	-	+	+
1800 mm	-	-	-	-	+	+

For non standard duct diameter it is recommended to use the curved access doors with a diameter directly superior the requested diameter.

+ : Available on request
 - : Not available



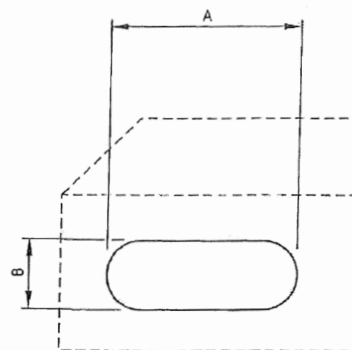
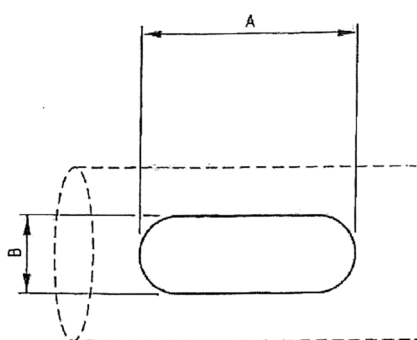
Information contained herein is based on careful tests and experience. It reflects our knowledge and is for guidance purpose only. It is given in good faith and user should ensure that the product is fit for purpose before any application. The quoted values are average and should not be taken as maximum or minimum values for specific purposes. Manufacturer and distributor are not responsible for any non-recommended use or consequential damage.

Recommendations (based on EN 12097)

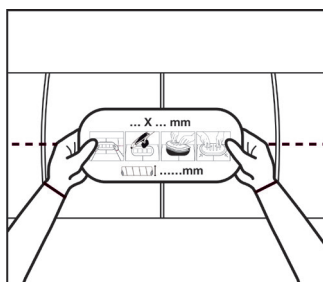
Access door needs to be fitted :

- before and after every fitting (dampers, fire dampers, filters, duct fans, duct heaters,...)
- after more than one change of direction of more than 45° as from the access door
- after more than one change of airflow as from the access door
- at least every 7,5 m

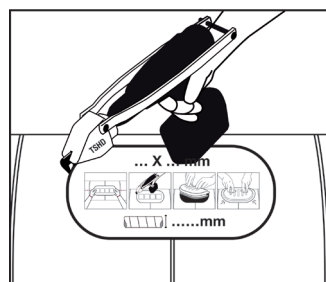
ROUND DUCTING (CAD)		RECTANGULAR DUCTING (FAD)	
Nominal duct diameter (mm)	Minimal size of access door (mm) A x B	Width of duct where access door is fitted (mm) S	Minimal size of access door (mm) A x B
$100 \leq D < 200$	180 x 80	$S \leq 200$	180 x 80
$200 \leq D \leq 315$	250 x 150	$200 < S \leq 400$	300 x 200
$315 < D \leq 500$	300 x 200	$400 < S \leq 500$	400 x 300
$500 < D$	400 x 300	$500 < S$	500 x 400



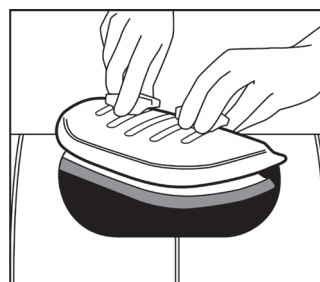
Application



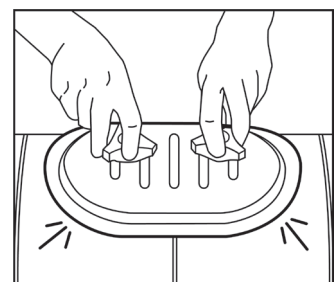
1. Stick self-adhesive template on to duct (a template is provided with each door)



2. Using Turbo Shears or similar cut around template taking care not to exceed the size of the template (the door will function correctly when cut to template size +0 mm -3 mm).



3. Install door by unscrewing the hand knobs until thread is level with top of bolt. Using both hands place the door in the hole at an angle.



4. Turn straight and pull out slightly to align. Then tighten knobs.

Information contained herein is based on careful tests and experience. It reflects our knowledge and is for guidance purpose only. It is given in good faith and user should ensure that the product is fit for purpose before any application. The quoted values are average and should not be taken as maximum or minimum values for specific purposes. Manufacturer and distributor are not responsible for any non-recommended use or consequential damage.