


Position	Qty.	Description
	1	<p data-bbox="320 338 526 367"><b>Unilift KP 150 A 1</b></p> <div data-bbox="435 409 592 752" style="text-align: center;">  </div> <p data-bbox="711 770 1193 795" style="text-align: center;"><b>Note! Product picture may differ from actual product</b></p> <p data-bbox="320 801 632 862">Product No.: <a href="#">011K4700</a> Submersible drainage pump</p> <p data-bbox="320 891 847 1037">Vertical single-stage stainless steel submersible pump with vertical discharge port and integrated submersible 1-phase canned motor in insulation class F with thermal overload protection.</p> <p data-bbox="320 1070 839 1187">The pump is fitted with suction strainer and a carrying handle and is supplied with a 5 m mains cable and float switch for automatic start and stop.</p> <p data-bbox="320 1220 847 1305">The impeller is a semi-open impeller for 10 mm free passage suitable for pumping groundwater, surface water, rain water and similar liquids.</p> <p data-bbox="320 1339 839 1400">The pump has a double shaft seal consisting of two lip seals with grease in-between.</p> <p data-bbox="320 1433 887 1550">The pump has an outer casing ensuring continuous cooling of the motor by the pumped liquid. The rotor shaft operates in two maintenance-free carbon bearings cooled by the pumped liquid.</p> <p data-bbox="320 1583 839 1608">The motor is filled with a non-toxic motor liquid.</p> <p data-bbox="320 1641 919 1758"><b>Liquid:</b> Pumped liquid: Any Newtonian liquid Liquid temperature range: 0 .. 50 °C Density: 998.2 kg/m<sup>3</sup></p> <p data-bbox="320 1792 759 1852"><b>Technical:</b> Maximum particle size: 10 mm</p> <p data-bbox="320 1886 887 2083"><b>Materials:</b> Pump housing: Stainless steel DIN W.-Nr. 1.4301 AISI 304 Impeller: Stainless steel DIN W.-Nr. 1.4031 AISI 304</p>



Company name:

Created by:

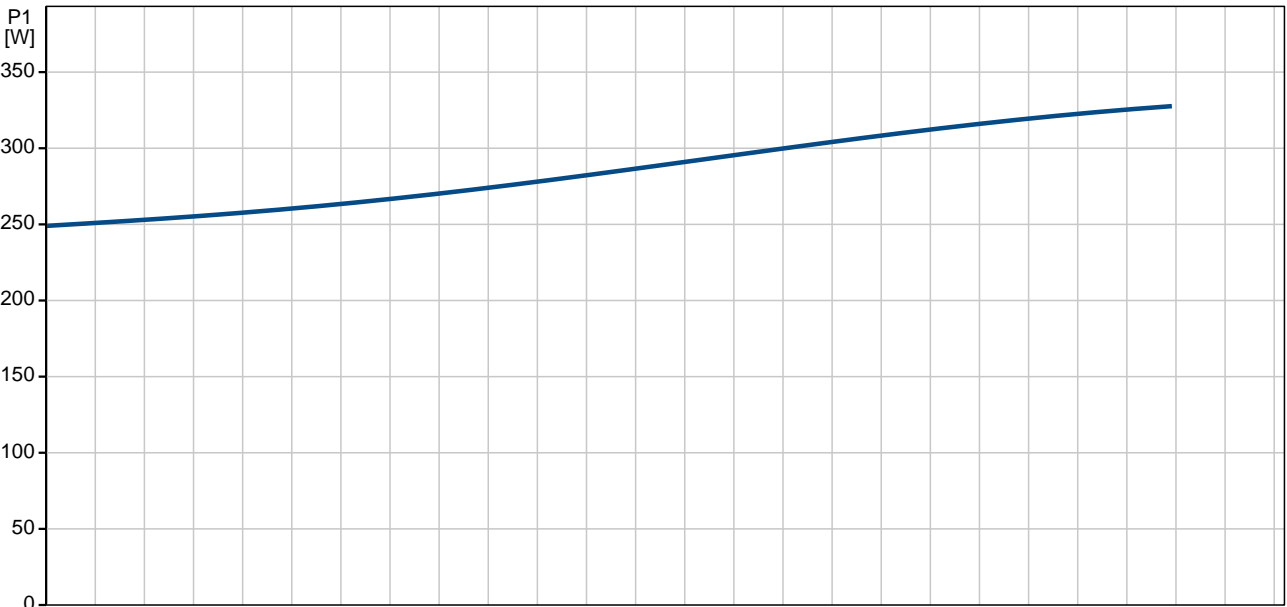
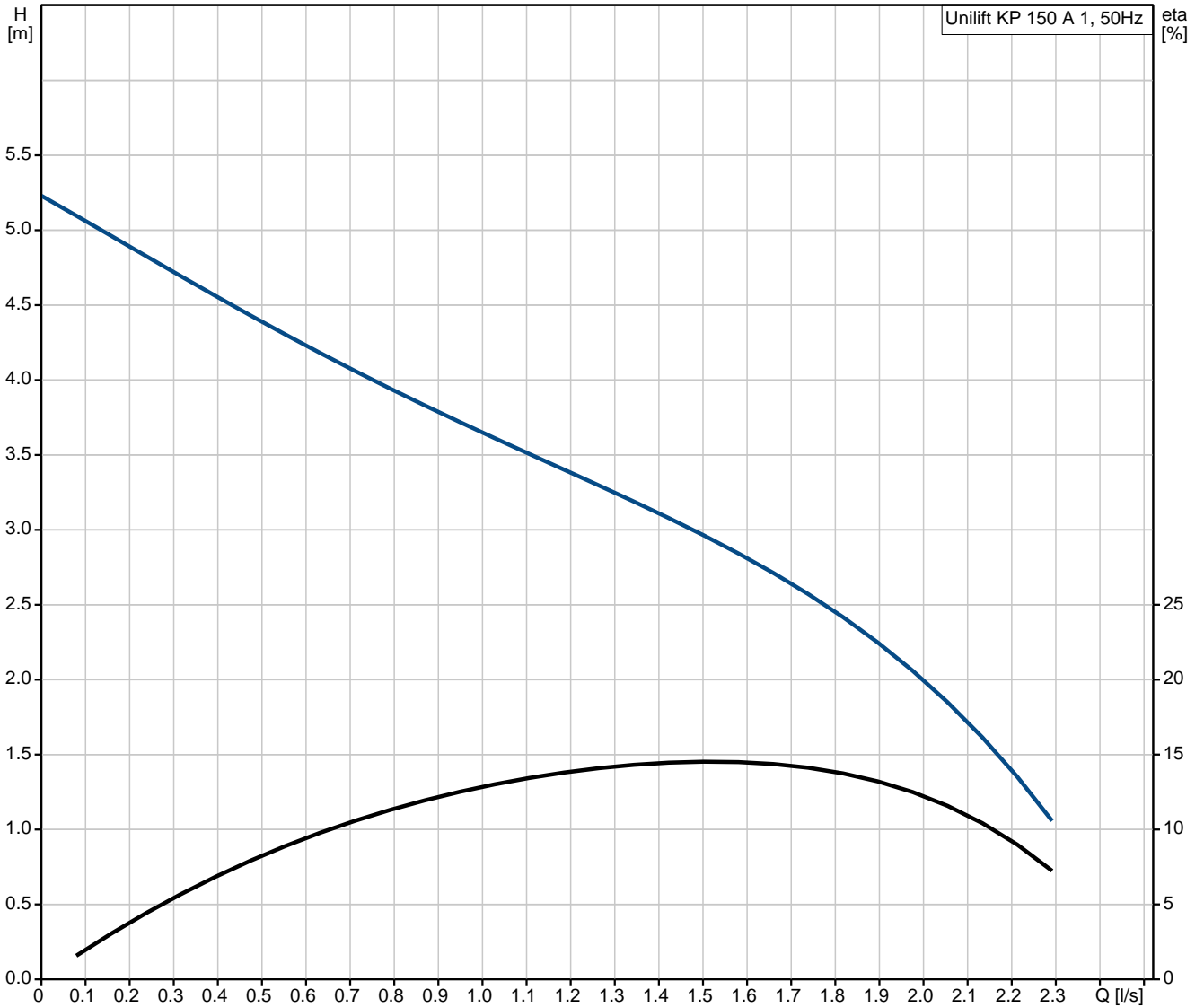
Phone:

Date:

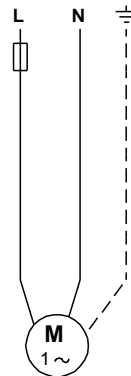
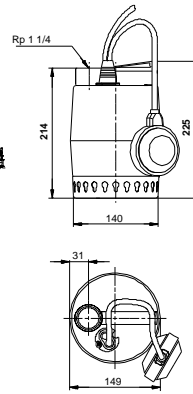
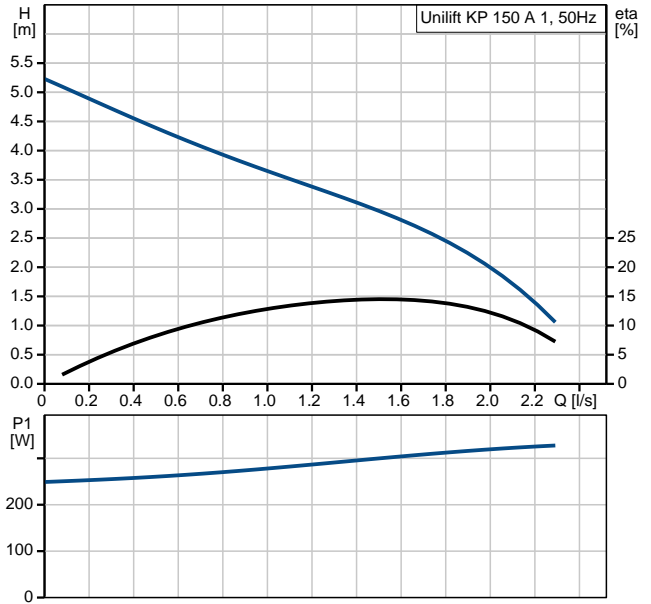
1/29/2016

Position	Qty.	Description
		<p><b>Installation:</b></p> <p>Pump outlet: Rp 1 1/4 Maximum installation depth: 2 m</p> <p><b>Electrical data:</b></p> <p>Power input - P1: 300 W C run: 8 µF Mains frequency: 50 Hz Rated voltage: 1 x 230-240 V Rated current: 1.3 A Capacitor size - run: 8 µF/400 V Enclosure class (IEC 34-5): IP68 Insulation class (IEC 85): F Length of cable: 5 m Type of cable plug: AU</p> <p><b>Others:</b></p> <p>Net weight: 6.5 kg Gross weight: 7 kg Shipping volume: 0.013 m<sup>3</sup></p>

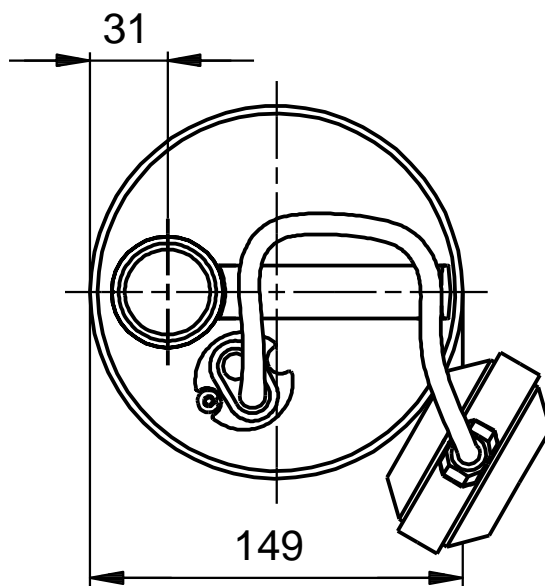
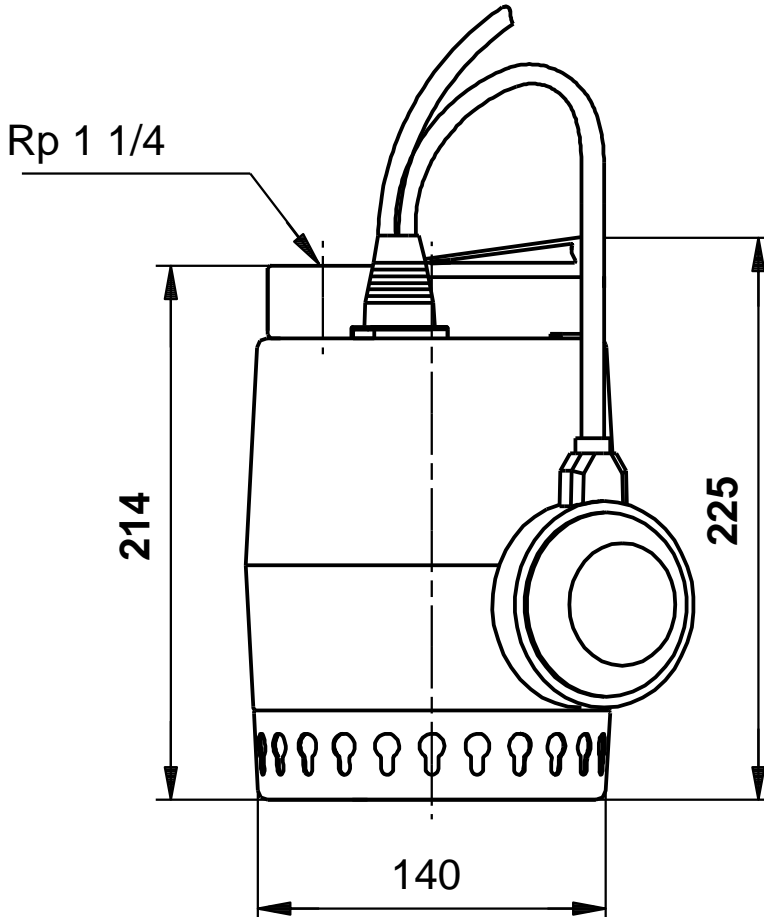
**011K4700 Unilift KP 150 A 1 50 Hz**



Description	Value
<b>General information:</b>	
Product name:	Unilift KP 150 A 1
Product No:	011K4700
EAN number:	5700391247842
Price:	On request
<b>Technical:</b>	
Max flow:	2.36 l/s
Head max:	5.5 m
Maximum particle size:	10 mm
Model:	A
<b>Materials:</b>	
Pump housing:	Stainless steel DIN W.-Nr. 1.4301 AISI 304
Impeller:	Stainless steel DIN W.-Nr. 1.4031 AISI 304
<b>Installation:</b>	
Pump outlet:	Rp 1 1/4
Maximum installation depth:	2 m
<b>Liquid:</b>	
Pumped liquid:	Any Newtonian liquid
Liquid temperature range:	0 .. 50 °C
Density:	998.2 kg/m <sup>3</sup>
<b>Electrical data:</b>	
Power input - P1:	300 W
C run:	8 µF
Mains frequency:	50 Hz
Rated voltage:	1 x 230-240 V
Rated current:	1.3 A
Capacitor size - run:	8 µF/400 V
Enclosure class (IEC 34-5):	IP68
Insulation class (IEC 85):	F
Motor protec:	CONTACT
Thermal protec:	internal
Length of cable:	5 m
Type of cable plug:	AU
<b>Controls:</b>	
Level switch:	float switch
<b>Others:</b>	
Net weight:	6.5 kg
Gross weight:	7 kg
Shipping volume:	0.013 m <sup>3</sup>

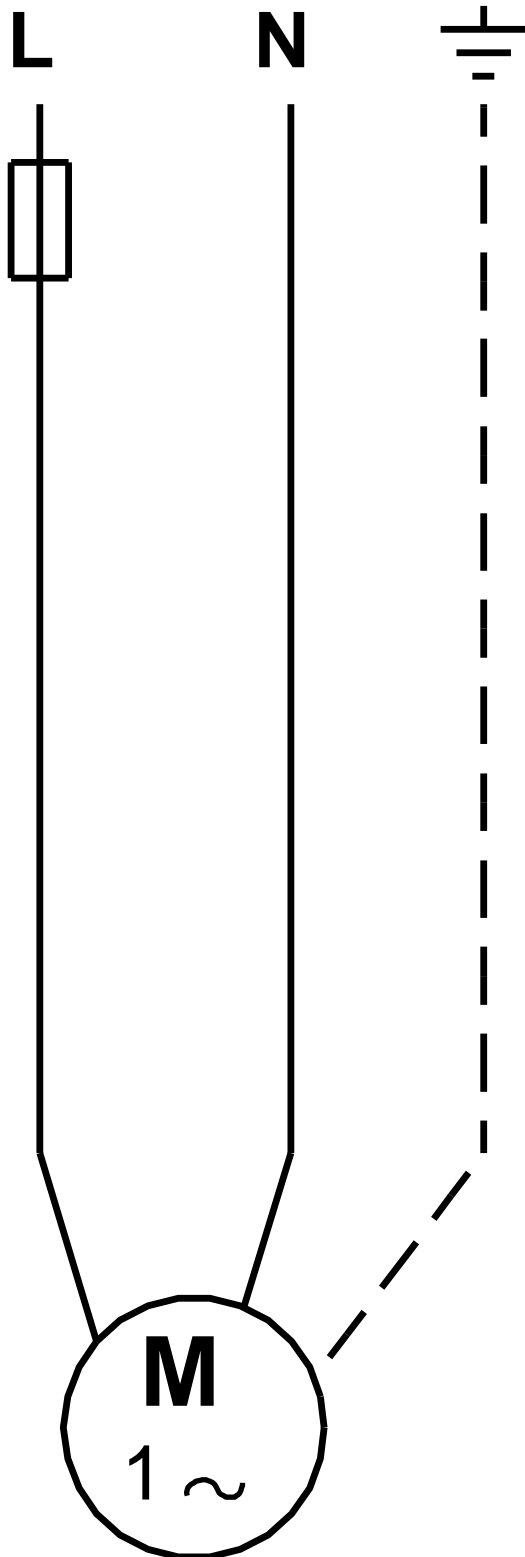


## 011K4700 Unilift KP 150 A 1 50 Hz



Note! All units are in [mm] unless others are stated.  
Disclaimer: This simplified dimensional drawing does not show all details.

**011K4700 Unilift KP 150 A 1 50 Hz**



Note! All units are in [mm] unless others are stated.