

# **dacor**®

The Life of the Kitchen.®

## **PARTS CATALOG**

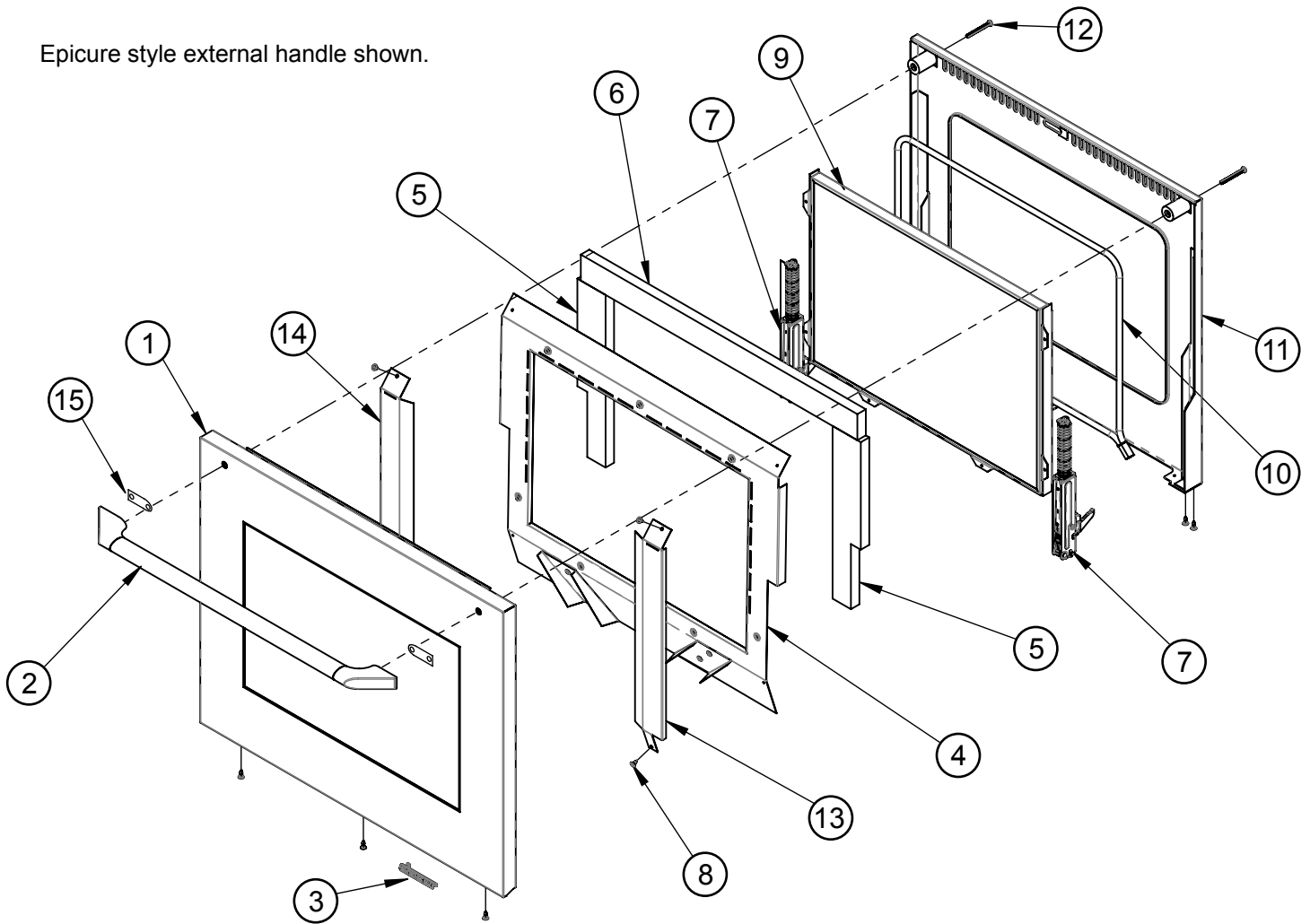
### **DT0230 Wall Oven**

<b>Page #</b>	<b>Description</b>
<b>2</b>	<b>Door Assembly</b>
<b>3</b>	<b>Door Parts</b>
<b>4</b>	<b>Chassis Assembly</b>
<b>5</b>	<b>Chassis Parts</b>
<b>6</b>	<b>Control Panel</b>
<b>7</b>	<b>Sub-Chassis Electrical Components</b>
<b>8</b>	<b>Oven Cell Components</b>
<b>9</b>	<b>Miscellaneous Components</b>

Revised 12-11-2014

# DT0230 Wall Oven Door Assembly

Epicure style external handle shown.



# DT0230 Wall Oven Door Parts

## Complete Door Assemblies

Part #	Description
702094-01	COMPLETE TOP DOOR ASSEMBLY, DTO230B
702094-02	COMPLETE BOTTOM DOOR ASSEMBLY, DTO230B
702091-01	COMPLETE TOP DOOR ASSEMBLY, DTO230FS
702091-02	COMPLETE BOTTOM DOOR ASSEMBLY, DTO230FS
702087-01	COMPLETE TOP DOOR ASSEMBLY, DTO230S
702087-02	COMPLETE BOTTOM DOOR ASSEMBLY, DTO230S
702094-11	COMPLETE TOP DOOR ASSEMBLY, DTO230W
702094-12	COMPLETE BOTTOM DOOR ASSEMBLY, DTO230W
702094-05	COMPLETE TOP DOOR ASSEMBLY, DTOV230B
702094-06	COMPLETE BOTTOM DOOR ASSEMBLY, DTOV230B

## Door Components

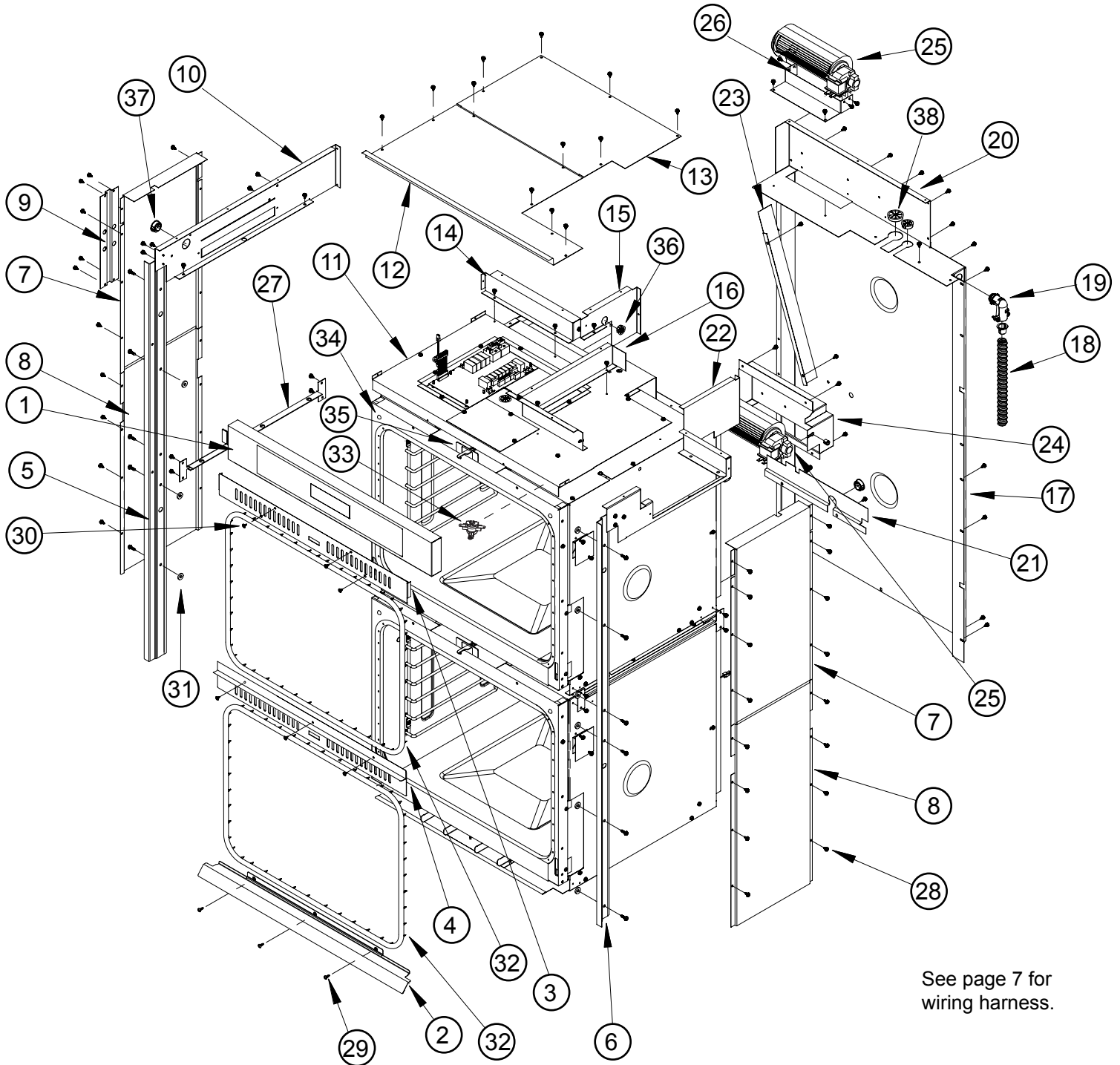
Item	Part #	Description	Item	Part #	Description
<b>1</b>	702092-01	ASSEMBLY, DOOR SKIN, DTO230B	<b>8</b>	83263	SCREW, PHIL TRS, #8 X 3/8, BLACK
	702088	ASSEMBLY, DOOR SKIN, DTO230FS		<b>9</b>	72968
	702085	ASSEMBLY, DOOR SKIN, DTO230S	<b>10</b>		100015
	702092-05	ASSEMBLY, DOOR SKIN, DTO230W		<b>11</b>	702086-01 <sup>2</sup>
	702092-03	ASSEMBLY, DOOR SKIN, DTOV230B	702086-03 <sup>2</sup>		ASSEMBLY, DOOR LINER, DTO[V]230B, DTO230W
<b>2</b>	13659-001	ASSEMBLY, DOOR HANDLE, STAINLESS	701875-04BP <sup>3</sup>		DOOR LINER <sup>3</sup>
	13659-019	ASSEMBLY, DOOR HANDLE, BLACK	<b>12</b>	100026	SCREW, #10-32 X 2.0, TORX
	13659-021	ASSEMBLY, DOOR HANDLE, WHITE		83688	SCREW, HANDLE, MILLENNIA
	72937-01	DOOR HANDLE, MILLENNIA	<b>13</b>	108040-02	HINGE BRACKET COVER, RIGHT
<b>3</b>	72510CH <sup>1</sup>	LOGO, DACOR, 3", CHROME <sup>1</sup>	<b>14</b>	108040-01	HINGE BRACKET COVER, LEFT
<b>4</b>	108041B	HEAT SHIELD	<b>15</b>	92008	SPACER, DOOR HANDLE
<b>5</b>	105353	INSULATION, SIDE, DOOR		<sup>2</sup> Pre-assembled, includes door liner, window pack w/ gasket, hinges, hinge covers, all insulation, heat shields, air deflectors.	
<b>6</b>	105352	INSULATION, TOP, DOOR	<sup>3</sup> Door liner alone.		
<b>7</b>	108760	HINGE DTO[V]230B, DTO230W			
	108008	HINGE DTO130[F]S			

<sup>1</sup> For use on upper door only.

<sup>2</sup> Pre-assembled, includes door liner, window pack w/ gasket, hinges, hinge covers, all insulation, heat shields, air deflectors.

<sup>3</sup> Door liner alone.

# DT0230 Wall Oven Chassis Assembly



See page 7 for wiring harness.

# DT0230 Wall Oven Chassis Parts

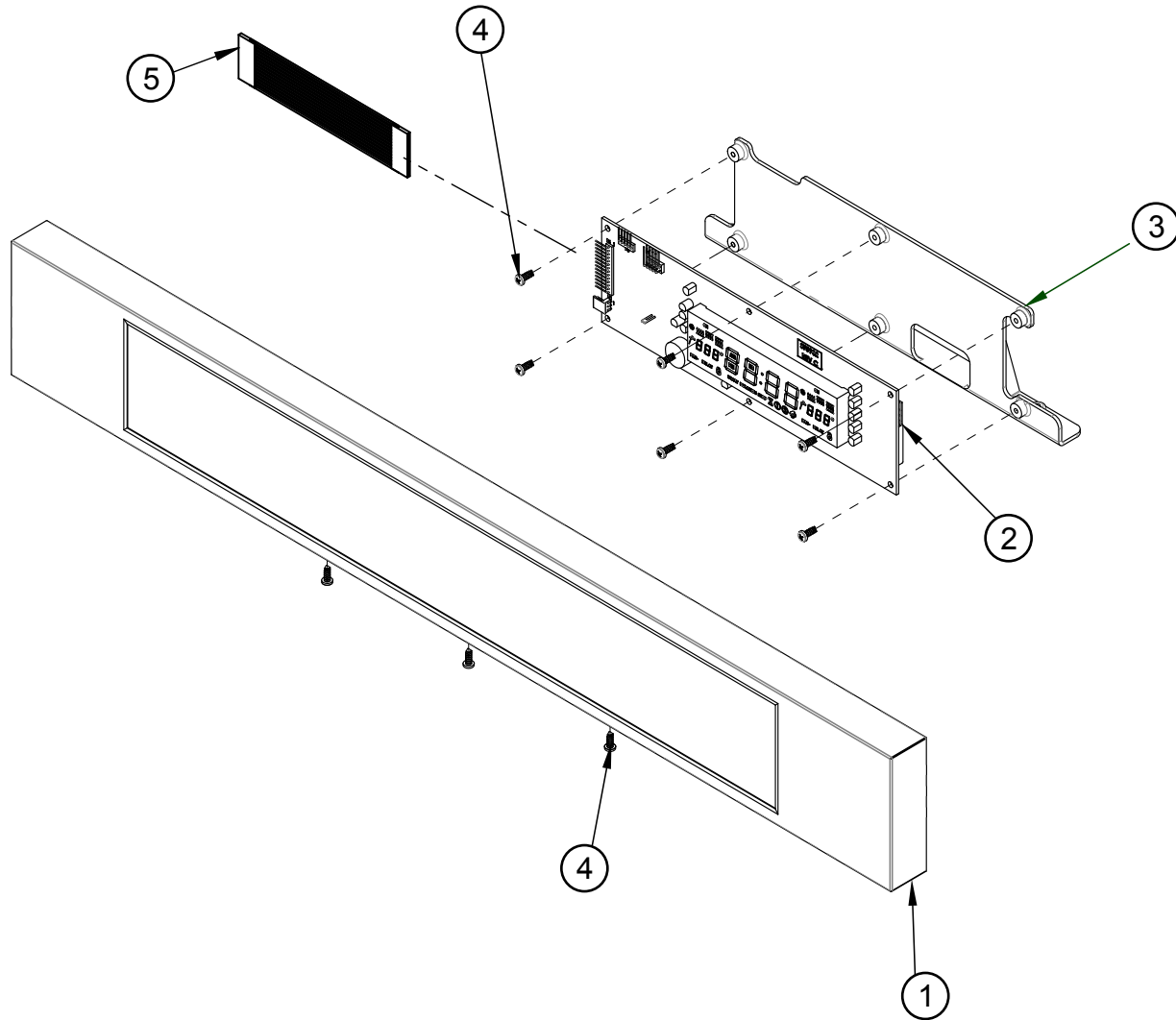
Item	Part #	Description
<b>1</b>	-	ASSY, BEZEL/CAPACITIVE TOUCH <sup>1</sup>
<b>2</b>	107280-01B	EXHAUST GRILL, DTO[V]230B
	107280	EXHAUST GRILL, DTO230[F]S
	107280-01W	EXHAUST GRILL, DTO230W
<b>3</b>	107833B	INTAKE GRILL, TOP
<b>4</b>	702068B	INTAKE GRILL, LOWER
<b>5</b>	107477-02B	TRIM POST, LEFT, BLACK
	107477-02W	TRIM POST, LEFT, WHITE
<b>6</b>	107477-01B	TRIM POST, RIGHT, BLACK
	107477-01W	TRIM POST, RIGHT, WHITE
<b>7</b>	105462	HEAT SHIELD, DUCT
<b>8</b>	105463	HEAT SHIELD, LOWER DUCT
<b>9</b>	105478	COVER, MEAT PROBE WIRE
<b>10</b>	107642	TOP LEFT SIDE
<b>11</b>	-	SUB-CHASSIS <sup>2</sup>
<b>12</b>	107830	SERVICE PANEL, TOP
<b>13</b>	107831	COVER, TOP REAR
<b>14</b>	108118	COOLING FAN FRONT COVER
<b>15</b>	108119	SIDE COVER, COOLING
<b>16</b>	108221	CONDUIT CORNER
<b>17</b>	107862	COVER, BACK

Item	Part #	Description
<b>18</b>	26420	CONDUIT, 1/2" FLEX
<b>19</b>	82195	1/2" 90° SQUEEZE CONNECTOR
<b>20</b>	107829	COVER, TOP REAR
<b>21</b>	107863	COVER, DOUBLE OVEN
<b>22</b>	107641	TOP RIGHT SIDE
<b>23</b>	107676	DUCT, REAR
<b>24</b>	107458	HOUSING, LOWER FAN
<b>25</b>	82986	FAN, COOLING
<b>26</b>	108092	EXTENSION, COOLING FAN
<b>27</b>	107640	OVEN SUPPORT BRACKET
<b>28</b>	83023	SCREW, SLOT, HWH, #10 X 3/8
<b>29</b>	83709	SCREW, #8 X 1/2", TORX, BLK
<b>30</b>	83263	SCREW, PHIL TRS, #8 X 3/8, BLK
<b>31</b>	83555	FIBER WASHER
<b>32</b>	108074	DOOR GASKET
<b>33</b>	92321	HIGH LIMIT SWITCH
<b>34</b>	108537	RUBBER BUMPER
<b>35</b>	100090	DOOR LATCH
<b>36</b>	92191-01	BUSHING, SPLIT .75"
<b>37</b>	92191-02	BUSHING, SPLIT 1.0"
<b>38</b>	92191-03	BUSHING, SPLIT 1.375"

<sup>1</sup> See page 6 for individual components

<sup>2</sup> See page 7 for individual components

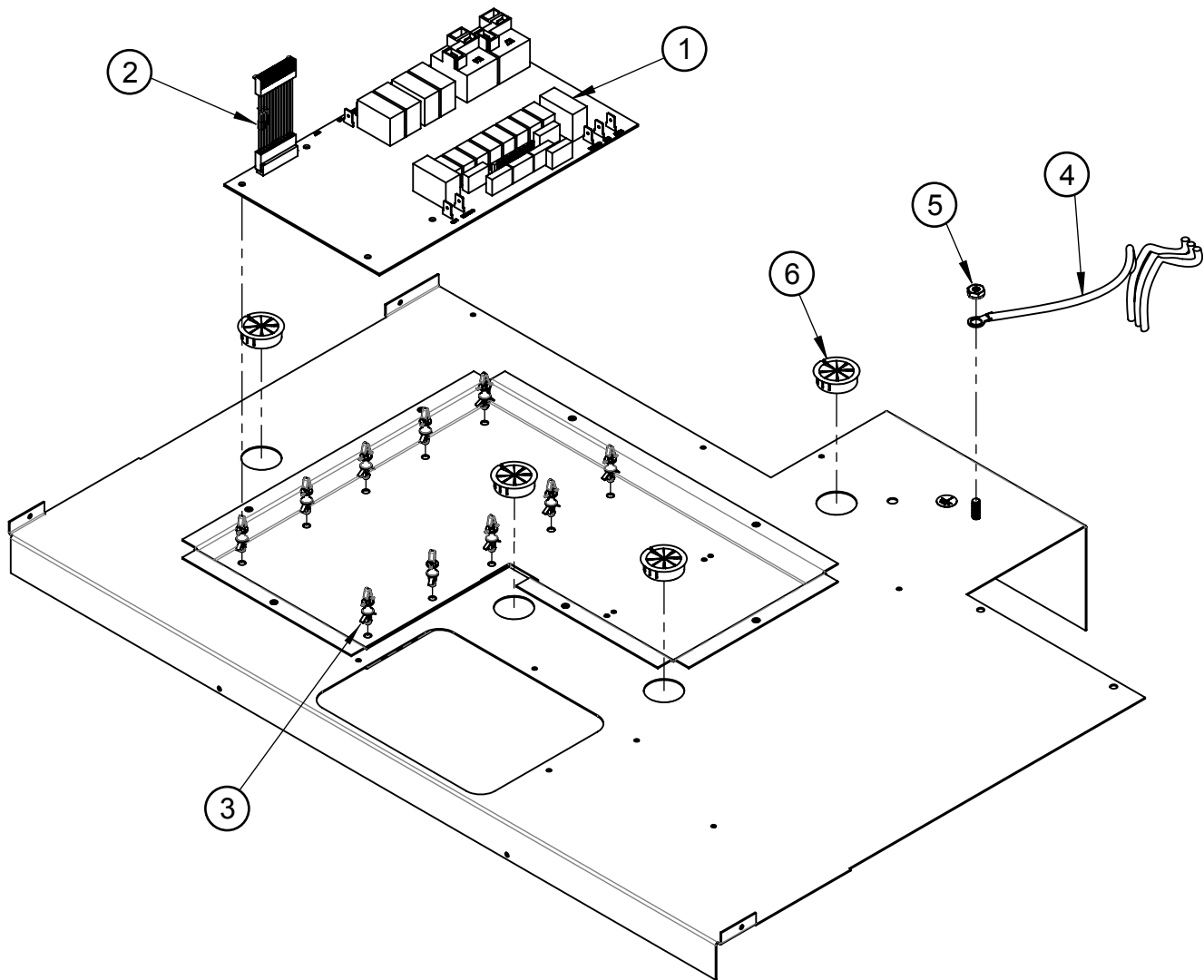
# DT0230 Wall Oven Control Panel Assembly



Item		Description
<b>1</b>	702095-02*	ASSEMBLY, BEZEL/CAPACITIVE TOUCH, DTO230B
	702072-02*	ASSEMBLY, BEZEL/CAPACITIVE TOUCH, DTO230[F]S
	702178-02*	ASSEMBLY, BEZEL/CAPACITIVE TOUCH, DTO230S - 208 VOLT
	702095-12*	ASSEMBLY, BEZEL/CAPACITIVE TOUCH, DTO230W
	702095-06*	ASSEMBLY, BEZEL/CAPACITIVE TOUCH, DTOV230B
<b>2</b>	108049	CONTROL BOARD, DTO230
	108421	CONTROL BOARD, DTO230 - 208 VOLT
<b>3</b>	105334	CONTROL BOARD BASE
<b>4</b>	105486	SCREW, 6-19 X 3/8"
<b>5</b>	105655	RIBBON CABLE

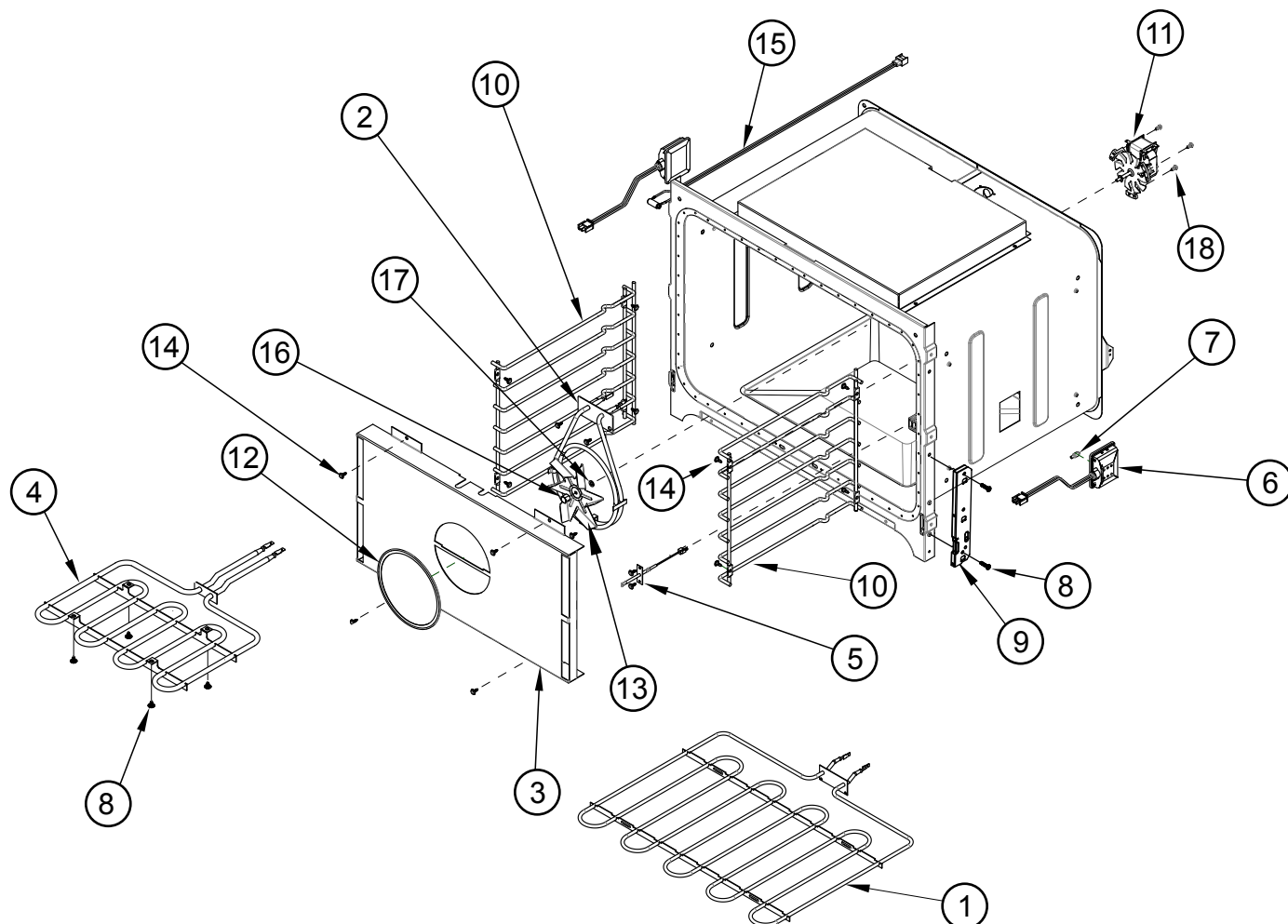
\* Includes items 2, 3, 5 and 6 screws.

# DT0230 Sub-Chassis Electrical Components



Item	Part #	Description
1	102380	RELAY BOARD
2	105448	WIRING HARNESS, POWER BOARD
3	83538	PCB SUPPORT, NYLON
4	108086	WIRING HARNESS, MAIN
5	83009	NUT, KEPS, #10-24
6	92191-02	BUSHING, SPLIT 1.0"
-	105729	WIRING HARNESS EXTENSION RELAY BOARD/TOUCH PAN (not shown)

# DT0230 Wall Oven Cell Components



Item	Part #	Description
1	106898	BAKE ELEMENT
	108211	BAKE ELEMENT - 208 VOLT
2	82377 <sup>2</sup>	CONVECTION ELEMENT <sup>2</sup>
	82378 <sup>2</sup>	CONVECTION ELEMENT - 208 VOLT <sup>2</sup>
3	105329BP <sup>2</sup>	CONVECTION BAFFLE <sup>2</sup>
4	102369	BROIL ASSEMBLY
	108210	BROIL ASSEMBLY - 208 VOLT
5	72752	SENSOR, TEMPERATURE
6	107111	ASSY, HALOGEN LIGHT, 120V, 20W
7	107112	BULB, HALOGEN, 120V, 20W
8	83534	SCREW, WAFER HEAD, #8 X 3/8
9	107510	HINGE RECEPTACLE
10	106991	RACK SUPPORT

Item	Part #	Description
11	700633 <sup>1</sup>	KIT, CONVECTION FAN <sup>1</sup>
12	82891 <sup>2</sup>	FILTER, CONVECTION <sup>2</sup>
13	101511	CONVECTION FAN BLADE
14	83708	SCREW, TORX WAFER HEAD, #8 X 1/2"
15	72717 <sup>2</sup>	MEAT PROBE SOCKET <sup>2</sup>
16	102137	HEX NUT, CONVECTION FAN
17	102136	WASHER, CONVECTION FAN
18	83379	SCREW, #8-1/2 THREAD TYPE A
19	102468 <sup>3</sup>	PLUG, PROBE, OVEN CELL (not shown) <sup>3</sup>

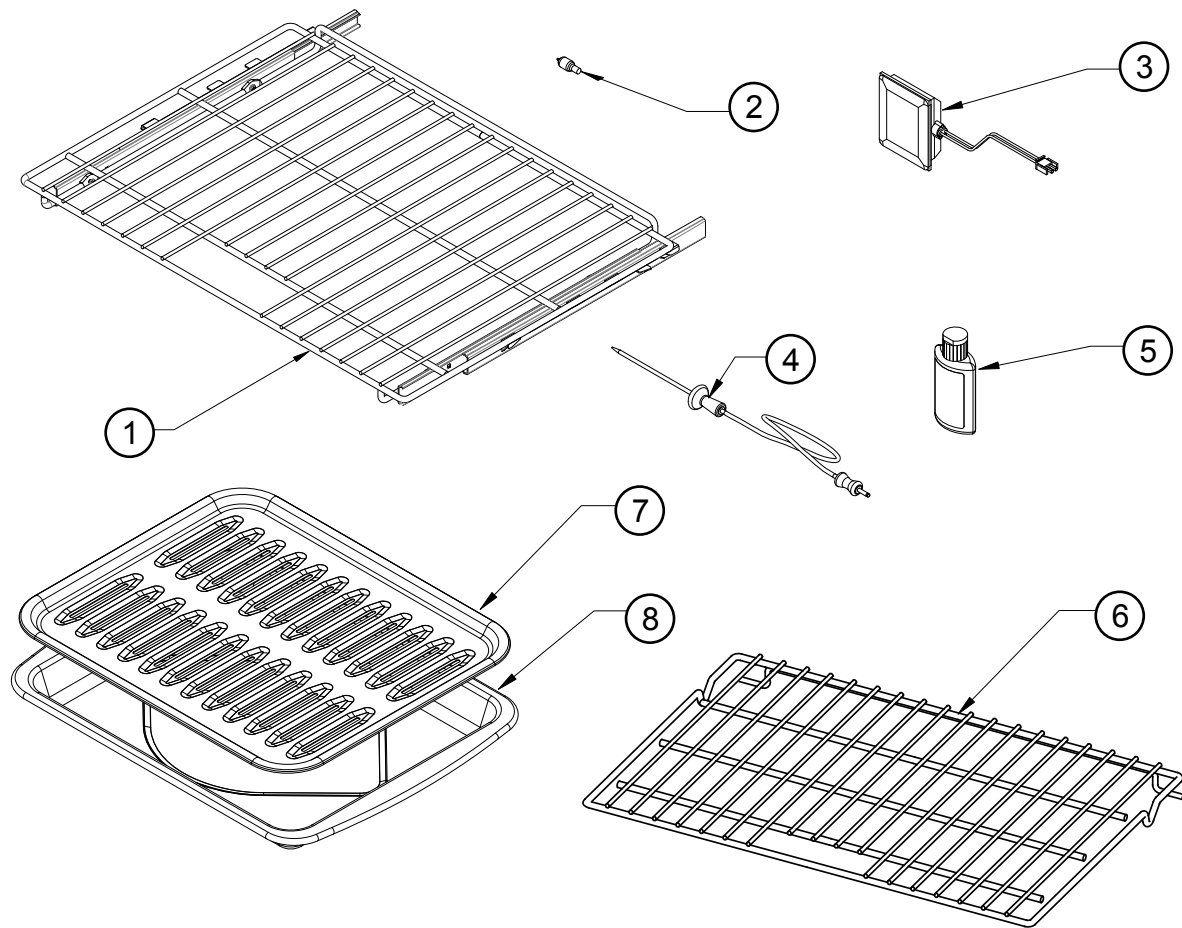
<sup>1</sup> Kit includes motor, fan blade, fan blade washer and mounting nut.

<sup>2</sup> Used on upper oven only.

<sup>3</sup> Used on lower oven only.



# DT0230 Wall Oven Miscellaneous Parts



Item	Part #	Description
1	701464	OVEN RACK, GLIDERACK TYPE
2	107112	BULB, HALOGEN, 120V, 20W
3	107111	ASSEMBLY, LIGHT, HALOGEN, 120V, 20W
4	72723	MEAT PROBE
5	100852	STAINLESS STEEL CLEANER
6	106992	OVEN RACK, STANDARD
7	82106	PORCELAIN GRILL
8	82107	PORCELAIN PAN