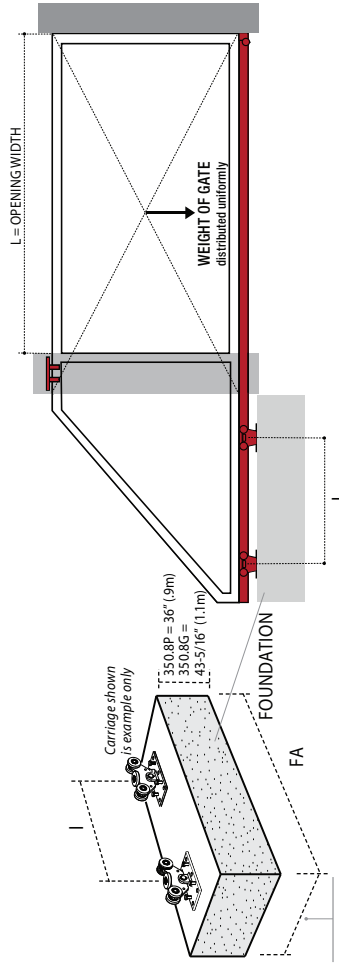
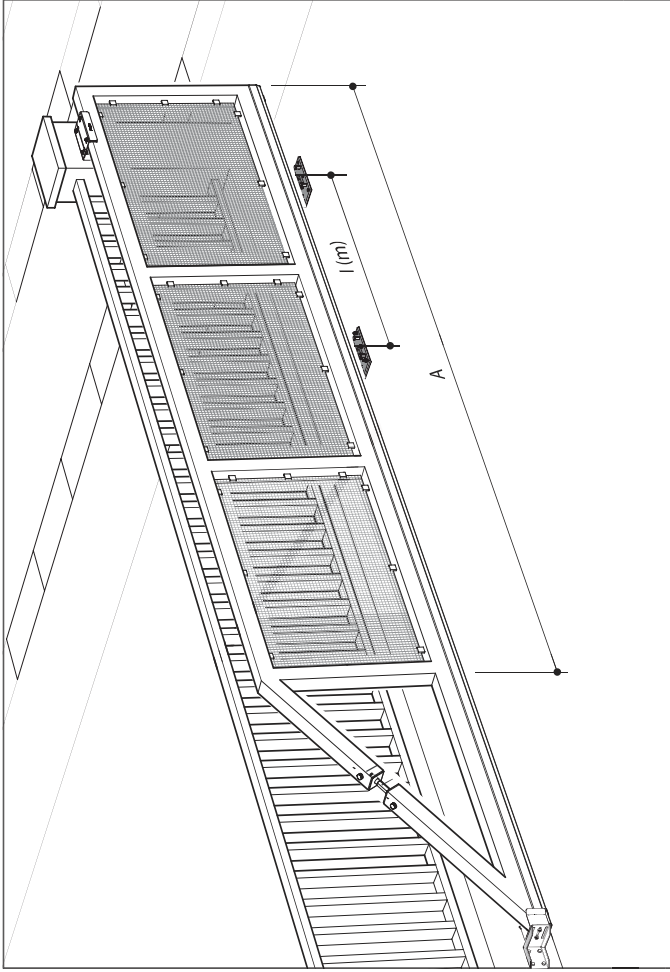
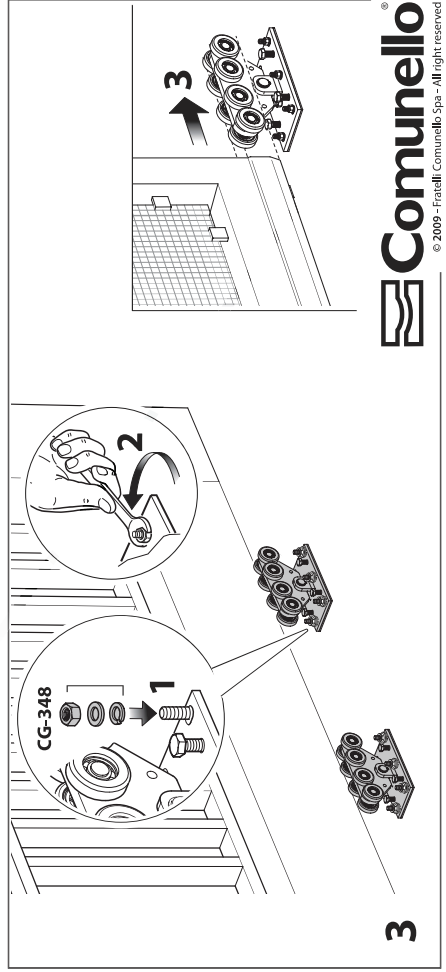
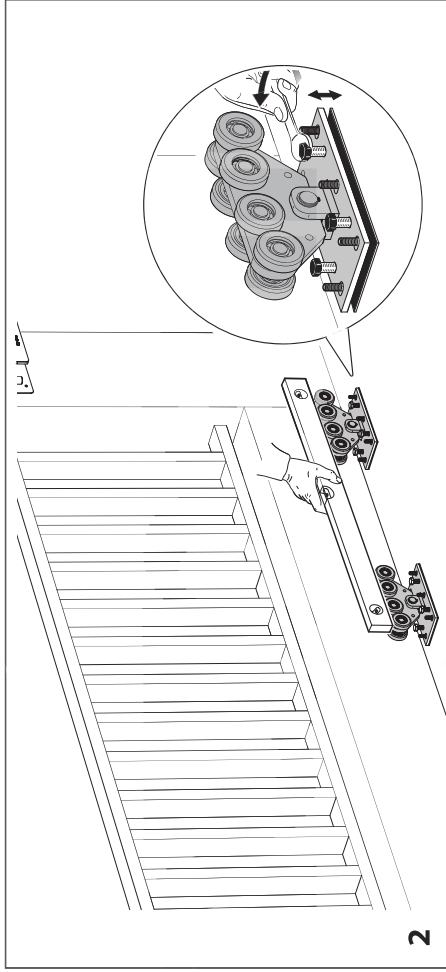
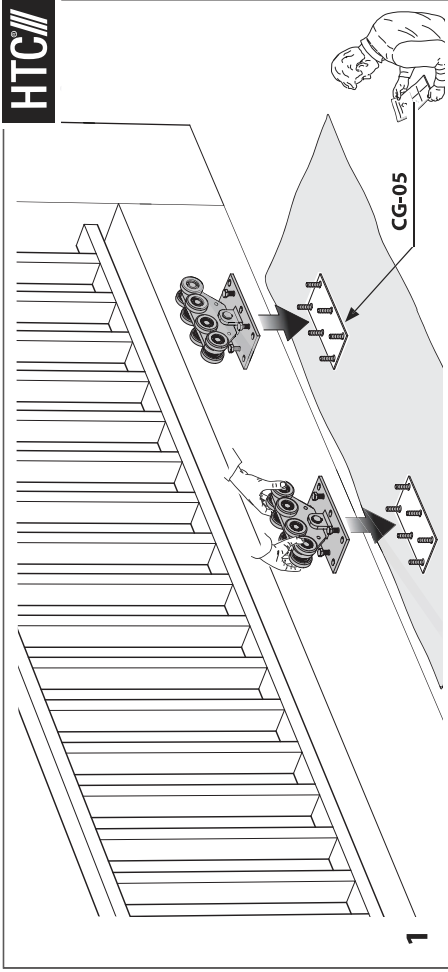


CGS-350.8G - 8 wheel carriage, monobloc body

HEIGHT		BASE PLATE LENGTH		BASE PLATE WIDTH		AIR GAP (Grade to Bottom of Track)		FULL HEIGHT (Grade to Top of Track)		BOLT HOLE SIZE		BOLT HOLE SPACING (L) (Center-to-Center)		BOLT HOLE SPACING (W) (Center-to-Center)		CARRIAGE PLATE THICKNESS	
Inch	mm	Inch	mm	Inch	mm	Inch	mm	Inch	mm	Inch	mm	Inch	mm	Inch	mm	Inch	mm
9 11/16	246	19 3/4	500	7 7/8	200	4 7/16	112	9 15/16	252	1 3/16 X 13/16	30X21	17 5/16	440	6	152	3/4	20

Illustrations not to scale and are for reference only. Imperial units shown are for reference only, use millimeters for most accurate sizes.

All pictures, technical drawings and related specifications belong to Fratelli Comunello Spa and they are defended by rules of copyright. All uses not expressly authorized will be legally prosecuted. Product specifications are subject to change without notice.



350.8P = 24" (6m)
350.8G = 31-1/2" (8m)

CBS 350.8 Grande (FI max=4000 Kg)										
Weight (Kg)	L=8 m		L=10 m		L=12 m		L=14 m		L=16 m	
	FA (M)	I (M)	FA (M)	I (M)	FA (M)	I (M)	FA (M)	I (M)	FA (M)	I (M)
800	2,40	1,50	2,80	1,90	3,30	2,40	3,80	2,90	4,40	3,50
850	2,50	1,60	2,90	2,00	3,40	2,50	4,00	3,10	4,60	3,70
900	2,60	1,70	3,10	2,20	3,60	2,70	4,20	3,30	4,90	4,00
950	2,70	1,80	3,20	2,30	3,80	2,90	4,40	3,50	5,10	4,20
1000	2,80	1,90	3,30	2,50	4,00	3,10	4,60	3,70	5,30	4,40
1050	2,90	2,00	3,50	2,60	4,10	3,20	4,80	3,90	5,60	4,70
1100	3,00	2,10	3,70	2,80	4,30	3,40	5,10	4,20	5,90	5,00
1150	3,20	2,30	3,80	2,90	4,50	3,60	5,30	4,40	6,20	5,30
1200	3,30	2,40	4,00	3,10	4,70	3,80	5,60	4,70	6,50	5,60