



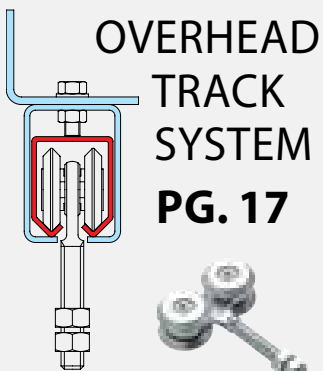
ARCHITECTURAL
IRON DESIGNS, INC.

SLIDING & BI-FOLDING GATE SYSTEMS

Manufactured in Italy by



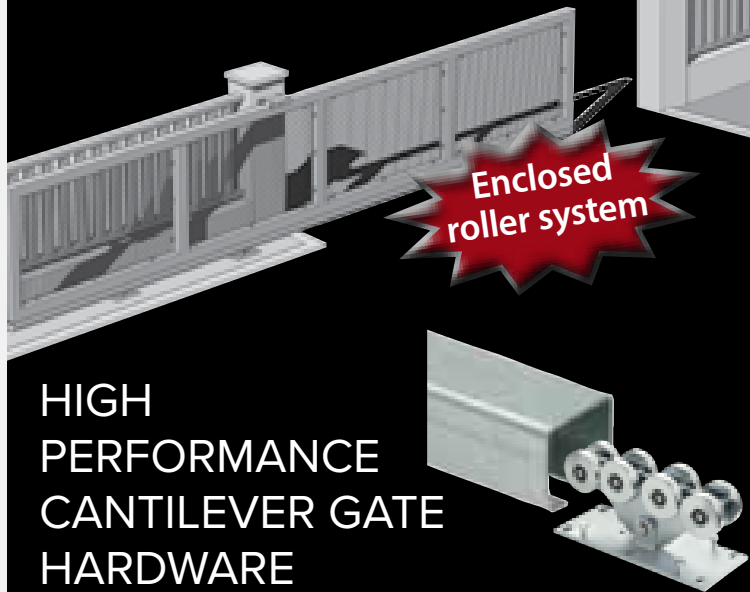
Scan code to be taken to the
AIDI resource center for valuable
product downloads



OVERHEAD
TRACK
SYSTEM
PG. 17



PG. 2



HIGH
PERFORMANCE
CANTILEVER GATE
HARDWARE



Ranger

Telescoping
Gate System
PG. 29



GROUND TRACK ROLLING
GATE SYSTEMS
PG. 18



Albatros

A bi-folding
gate system
PG. 37



2E Chimney Rock Rd., Bridgewater, NJ 08807 | Ph: (908) 757-2323
Fax: (908) 757-3439 | www.archirondesign.com | aisales@archirondesign.com

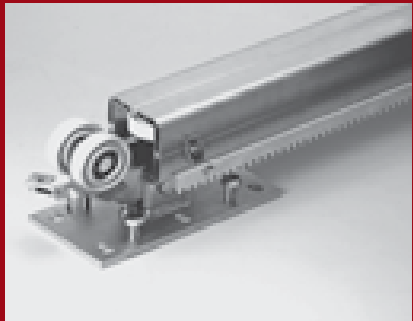
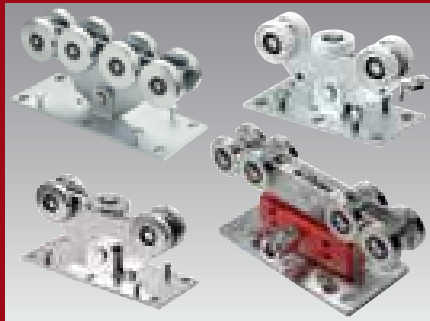


High Performance Cantilever Gate Hardware

Accommodates
4,400 lbs at 65ft opening
20,000lbs at 30ft opening



Enclosed roller system helps comply with ASTM F2200 & UL325 safety standards.



Manufactured by

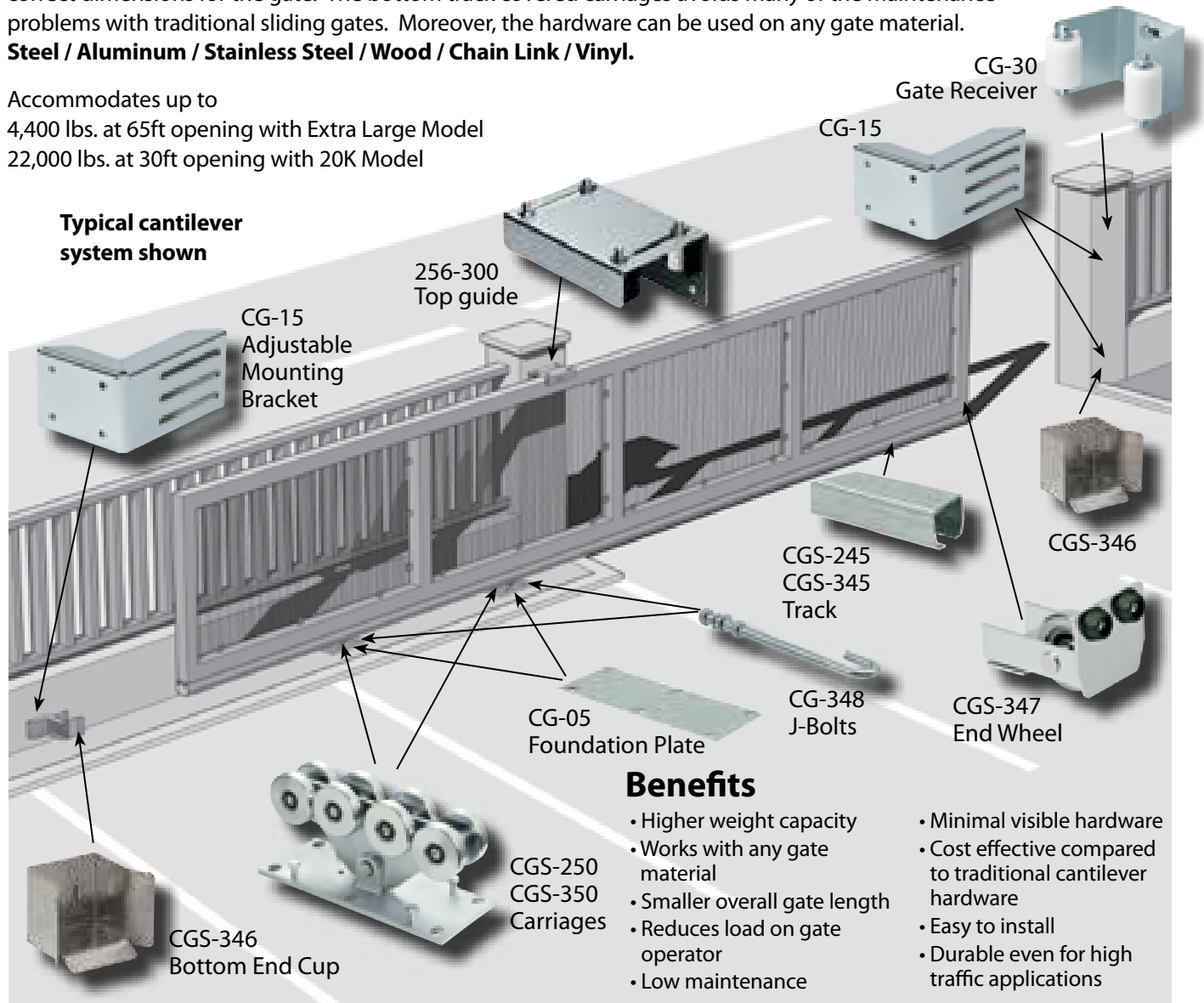


Scan code to watch video

The **COMUNELLO** Cantilever gate hardware offers a professional solution that satisfies your requirements for installing a cantilever gate, even with complicated applications or large dimensions. It is the perfect choice, with its complete line of accessories and a product configurator to calculate the correct dimensions for the gate. The bottom track covered carriages avoids many of the maintenance problems with traditional sliding gates. Moreover, the hardware can be used on any gate material.

Steel / Aluminum / Stainless Steel / Wood / Chain Link / Vinyl.

Accommodates up to
 4,400 lbs. at 65ft opening with Extra Large Model
 22,000 lbs. at 30ft opening with 20K Model



Typical cantilever system shown

Benefits

- Higher weight capacity
- Works with any gate material
- Smaller overall gate length
- Reduces load on gate operator
- Low maintenance
- Minimal visible hardware
- Cost effective compared to traditional cantilever hardware
- Easy to install
- Durable even for high traffic applications

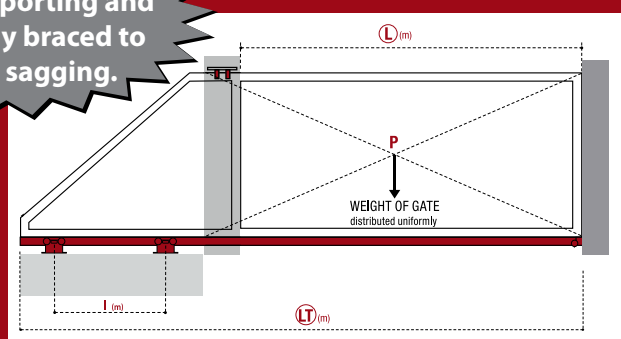
NOTE: WE ONLY SUPPLY THE HARDWARE, NOT THE GATE ITSELF

The gate itself must be self supporting and adequately braced to prevent sagging.

Call us at :
908-757-2323
 for **FREE** assistance in configuring the specifications for your cantilever gate project.

Based on the gate dimensions, we can supply you with:

- Length of counter balance
- Load calculations
- Bill of materials
- Installation instructions



GALVANIZED STEEL TRACK							
Model	CGS - 350.5XL	CGS - 350.8G	CGS - 350.8P	CGS - 250.8P	CGS - 250.8M	CGS - KIT150	
Opening & Weight Range	30 ft. up to 7700 lbs. 65 ft. up to 4400 lbs.	16 ft. up to 4000 lbs. 60 ft. up to 1800 lbs.	10 ft. up to 1700 lbs. 26 ft. up to 1000 lbs.	8 ft. up to 1300 lbs. 19 ft. up to 800 lbs.	8 ft. up to 900 lbs. 14 ft. up to 500 lbs.	8 ft. up to 660 lbs. 13 ft. up to 330 lbs.	
Carriages							
	CGS-350.5XL Extra Large Carriage Monobloc Body		CGS-350.8G Grande Carriage Monobloc Body		CGS-250.8P Large Carriage Multiplate Body		CGS-250.8M Small Carriage Multiplate Body
Tracks available in 9'10" or 19'8" lengths							
	CGS-345XL Extra Large 7½" W x 6½" H Raw Track Available 9'10" only		CGS-345G Grande Galvanized Track 5½" W x 5½" H		CGS-345P Large Galvanized Track 4" W x 3½" H		CGS-245P Large Galvanized Track 4" W x 3½" H
Accessories							
	CGS-347XL End Wheel for UL325 Compliance		CGS-347G End Wheel for UL325 Compliance		CGS-347P End Wheel for UL325 Compliance		CGS-347M End Wheel for UL325 Compliance
	CGS-346XL Bottom End Cup		CGS-346G Bottom End Cup		CGS-346P Bottom End Cup		CGS-346M Bottom End Cup
	CG-30G Gate Receiver 4" to 6"		CG-30G Gate Receiver 4" to 6"		CG-30P Gate Receiver 3-3/8" to 4-1/2"		CG-30M Gate Receiver 2" to 3"
	CG-15G Adjustable Mounting Bracket		CG-15G Adjustable Mounting Bracket		CG-15P Adjustable Mounting Bracket		CG-15M Adjustable Mounting Bracket
Anchoring and Installation Accessories							
	CG-348-M20 J-Bolt, Galvanized M20 x 15"		CG-348-M20 J-Bolt, Galvanized M20 x 15"		CG-348-M16 J-Bolt, Galvanized M16 x 15"		CG-348-M16 J-Bolt, Galvanized M16 x 15" 8x
	CG-05G Foundation Plate		CG-05G Foundation Plate		CG-05P Foundation Plate		CG-05P Foundation Plate

Included in Kit:
2x CGS-150.5M Mini Carriage Multiplate Body
 Choice of
 CGS-245M Small Galvanized Track:
1x 19'8"
3x 6'6"
1x CGS-347M End wheel
1x CGS-346M Bottom end cup
1x 255-220-C Top Guide with roller covers

TOP GUIDE OPTIONS

Adjustable Guiding Plate with roller covers to avoid pinch points.

255-220-C
For up to 2½" frame

256-220
For up to 3" frames

256-300
For up to 4½" frames

CGI-251
Stainless steel
For up to 2½ - 4" frames

SIDE MOUNT GUIDE OPTIONS

USE FOR GATES WITH AN ARCHED TOP OR PROTRUDING PICKETS

Galvanized & Aluminum Guide Rail

CG-254
Galvanized 1½" I.D. U-Channel, 9'10"

RG-387-19.68FT
Galvanized 1½" I.D. U-Channel, 19'8"

RG-387-9.84FT
Galvanized 1½" I.D. U-Channel, 9'10"

CG-237-20FT
Aluminum 1½" I.D. U-Channel, 20'

CG-237-10FT
Aluminum 1½" I.D. U-Channel, 10'

CG-252-30
Single Roller, 1¼" dia.









CG-253-40
10" Side Roller
1¼" dia.
2" clearance
Use 2 per gate min.

CG-258-30
Double Roller
1¼" dia.

230-30, 1¼" dia.
230-40, 1½" dia.

Rubber Rollers
2-3/8" dia.
RR3
3" Roller
RR6
6" Roller
RR12
12" Roller

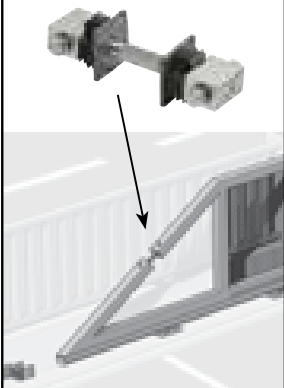
Nylon Replacement Rollers
230-30, 1¼" dia.
230-40, 1½" dia.

STAINLESS TRACK	
Model	CGI-350.5P
Opening & Weight Range	13 ft. up to 700 lbs. 26 ft. up to 400 lbs.
Carriages	
	CGI-350.5P Large Carriage Monobloc Body
Tracks available in 9'10" or 19'8" lengths	
	CGI-345P Large Stainless Steel Track 4" W x 3½" H
Accessories	
2x 	CGI-347P End Wheel for UL325 Compliance
1x 	CGI-346P Bottom End Cup
1x 	CG-30P Gate Receiver 3-3/8" to 4-1/2"
2x 	CG-15P Adjustable Mounting Bracket
Anchoring and Installation Accessories	
12x 	CGI-348-M16 J-Bolt, Stainless Steel M16 x 15"
2x 	CGI-05P Foundation Plate

ALUMINUM TRACK		
Model	CGA - 350.5P	CGA - 350.5M
Opening & Weight Range	20 ft. up to 700 lbs. 30 ft. up to 400 lbs.	10 ft. up to 550 lbs. 16 ft. up to 300 lbs.
Carriages with Nylon Wheels		
	CGA-350.5P Large Carriage Monobloc Body Nylon Wheels	CGA-350.5M Small Carriage Monobloc Body Nylon Wheels
Tracks available in 9'10" or 19'8" lengths		
	CGA-345P Large Aluminum Track 4 3/16" W x 4 1/32" H	CGA-345M Small Aluminum Track 3 3/4" W x 3 3/8" H
Accessories		
2x 	CGA-347P End Wheel for UL325 Compliance	CGA-347M End Wheel for UL325 Compliance
1x 	CGS-346P Bottom End Cup	CGA-346M Bottom End Cup
1x 	CG-30P Gate Receiver 3-3/8" to 4-1/2"	CG-30M Gate Receiver 2" to 3"
2x 	CG-15P Adjustable Mounting Bracket	CG-15M Adjustable Mounting Bracket
Anchoring and Installation Accessories		
12x 	CG-348-M16 J-Bolt, Galvanized M16 x 15"	CG-348-M16 J-Bolt, Galvanized M16 x 15" 8x
2x 	CG-05P or CGI-05P Foundation Plate	CG-05P or CGI-05P Foundation Plate

CGI-40
Tension Bar - Stainless Steel
Fits 50mm metric tubing
USA 2½" sq. min. (shimmed)
With turnbuckle action

*Use for minor adjustment
of gate sag*



duragates.com

- **Browse models**
- **Download**
 - CAD drawings
 - Spec sheets
 - Installation Instructions
- **Read FAQs**
- **View the gate gallery**
- **Request a quote**

CGS-450.9-20K



Carriage with 44,000 lbs. capacity for heavy cantilever gates

Up to 100 ft opening width

Target Application Examples:

- 30 ft gate opening weighing 20,000 lbs
- 50 ft gate opening weighing 18,000 lbs
- 65 ft gate opening weighing 17,000 lbs

Features:

- 1-3/8" (35 mm) thick monoblock steel body
- High capacity shielded bearing to ensure high load performance
- All components are made of high quality steel
- Center alignment wheel to ensure stability during movement
- Adjustment screws for vertical alignment

Designed for high security applications:

- Data Centers
- Power Stations
- Secure Industrial Facilities
- Military



CGS-495-20K
Raw steel track
8" x 8" x 1/2" thick



CGS-496-20K
Galvanized bottom end cup

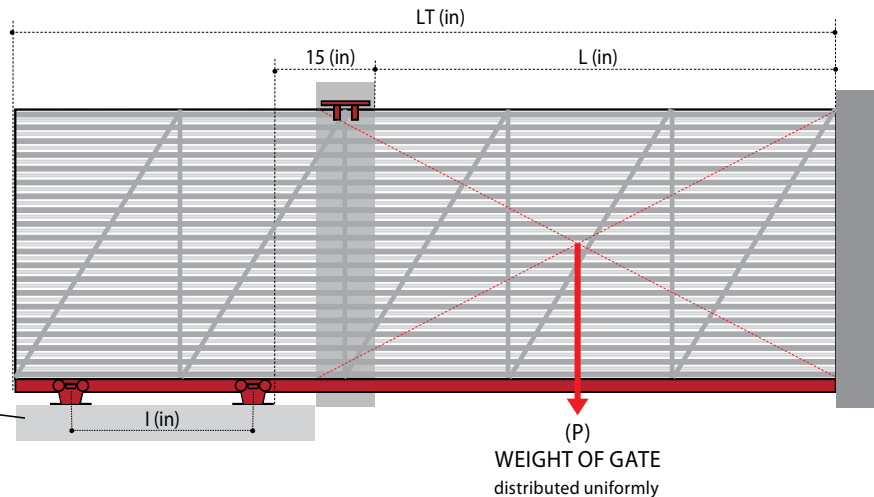
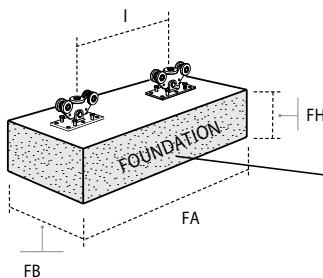


CGS-497-20K
Galvanized end wheel for track



CGS-499
1100 lb load capacity guide roller
(use in pairs)

The structural calculations of the cement foundation (FA x FB x FH), the carriage spacing (I), and the type of anchoring, should all be determined by a structural engineer.



GALVANIZED STEEL TRACK

<u>MODEL</u>	<u>TYPICAL GATE</u>	<u>INCLUDES</u>	<u>GATE RANGE</u>
CGS-KIT150	GATE OPENING: 12FT WEIGHT OF OPENING: 300LB TOTAL GATE LENGTH: 18FT	20ft of track, 2 carriages, 1 end cup, 1 end wheel, and 1 top guide plate	8 ft at 660 lbs 13 ft at 330 lbs
CGS-250.8M	GATE OPENING: 16FT WEIGHT OF OPENING: 600LB TOTAL GATE LENGTH: 22FT	30ft of track, 2 carriages, 2 end cups, 2 end wheels, 1 top guide plate and 8 J-bolts	8 ft at 900 lbs 14 ft at 500 lbs
CGS-250.8P	GATE OPENING: 18FT WEIGHT OF OPENING: 800LB TOTAL GATE LENGTH: 24FT	30ft of track, 2 carriages, 2 foundation plates, 2 end cups, 2 end wheels, 1 top guide plate and 12 J-bolts	8 ft at 1300 lbs 19 ft at 800 lbs
CGS-350.8P	GATE OPENING: 24FT WEIGHT OF OPENING: 1200LB TOTAL GATE LENGTH: 33FT	40ft of track, 2 carriages, 2 foundation plates, 2 end cups, 2 end wheels, 1 top guide plate and 12 J-bolts	10 ft at 1700 lbs 26 ft at 1000 lbs
CGS-350.8G	GATE OPENING: 30FT WEIGHT OF OPENING: 1800LB TOTAL GATE LENGTH: 39FT	40ft of track, 2 carriages, 2 foundation plates, 2 end cups, 2 end wheels, 1 top guide plate and 12 J-bolts	16 ft at 4000 lbs 60 ft at 1800 lbs
CGS-350.5XL	GATE OPENING: 30FT WEIGHT OF OPENING: 3800LB TOTAL GATE LENGTH: 40FT	40ft of track, 2 carriages, 1 top guide plate and 12 J-bolts	30 ft at 7700 lbs 65 ft at 4400 lbs

ALUMINUM TRACK

<u>MODEL</u>	<u>TYPICAL GATE</u>	<u>INCLUDES</u>	<u>GATE RANGE</u>
CGA-350.5M	GATE OPENING: 16FT WEIGHT OF OPENING: 300LB TOTAL GATE LENGTH: 21FT	30ft of track, 2 carriages, 2 end cups, 2 end wheels, 1 top guide plate and 8 J-bolts	10 ft at 550 lbs 16 ft at 300 lbs
CGA-350.5P	GATE OPENING: 24FT WEIGHT OF OPENING: 600LB TOTAL GATE LENGTH: 32FT	40ft of track, 2 carriages, 2 foundation plates, 2 end cups, 2 end wheels, 1 top guide plate and 12 J-bolts	20 ft at 700 lbs 30 ft at 400 lbs

STAINLESS TRACK

<u>MODEL</u>	<u>TYPICAL GATE</u>	<u>INCLUDES</u>	<u>GATE RANGE</u>
CGI-350.5P	GATE OPENING: 20FT WEIGHT OF OPENING: 300LB TOTAL GATE LENGTH: 26FT	30ft of track, 2 carriages, 2 foundation plates, 2 end cups, 2 end wheels, 1 top guide plate and 12 J-bolts	13 ft at 700 lbs 26 ft at 400 lbs

**CALL 908-757-2323 FOR DETAILED GATE CONFIGURATION
OR
VISIT DURAGATES.COM**

Company: _____ Contact: _____ Phone: _____

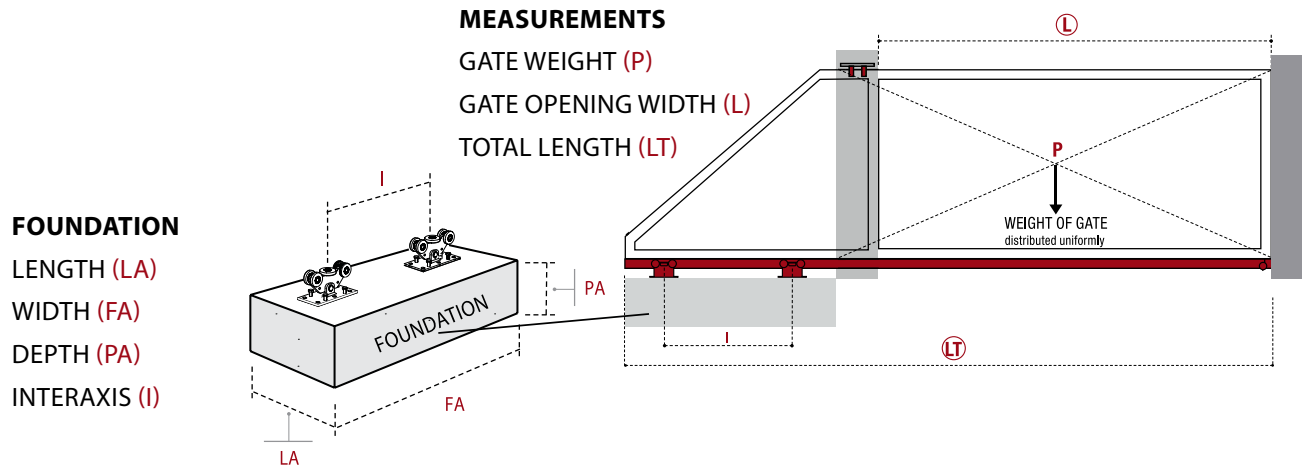
Email: _____ Job Name: _____

DuraGates cantilever hardware is an application specific engineered product. Each gate application should be configured based on the opening width of the gate (L) and the weight (P) "over the opening" to determine the total gate length (LT), carriage spacing (I), and the concrete foundation dimensions.

IS THIS PROJECT?
 A new gate
 Existing Gate / Retrofit

Please provide the following information for an application specific configuration, parts list, and pricing.

<p>1 MATERIAL OF THE GATE (OR FRAME)</p> <p><input type="checkbox"/> Steel <input type="checkbox"/> Wood <input type="checkbox"/> Aluminum <input type="checkbox"/> PVC <input type="checkbox"/> Chain Link <input type="checkbox"/> Stainless Steel</p>	<p>DURAGATES TRACK</p> <p>MATERIAL REQUIRED</p> <p><input type="checkbox"/> Galvanized Steel <input type="checkbox"/> Aluminum <input type="checkbox"/> Stainless Steel</p>	<p>GATE FRAME SIZE</p> <p><input type="checkbox"/> 1-1/2" <input type="checkbox"/> Square <input type="checkbox"/> 2" <input type="checkbox"/> Round <input type="checkbox"/> 2-1/2" <input type="checkbox"/> Other</p>
<p>2 OPENING WIDTH Typically the post to post measurement L = _____ ft. / in.</p>		
<p>3 WEIGHT OF THE GATE "over the opening" If the weight is given for the full gate, specify the assumed gate length and label it as full gate weight</p> <p>P = _____ lbs. Full gate weight _____ lbs. Assumed gate length _____ ft. / in.</p>		
<p>4 OPTIMIZE FOR MINIMUM TAIL LENGTH OR COST?</p> <p>✦ Often two or more models will carry the load, so knowing which is more important for the application guides us to the best result. ✦ Space available in "Open" position. _____ ft. / in.</p> <p>OPTIMIZE FOR:</p> <p><input type="checkbox"/> Minimum tail length <input type="checkbox"/> Lowest hardware cost</p>		
<p>5 IS GATE FLAT ON TOP?</p> <p><input type="checkbox"/> Yes <input type="checkbox"/> No _____</p>	<p>7 GATE LOCK OPTIONS</p> <p><i>Manually Operated Gate</i></p> <p><input type="checkbox"/> Key Operated Lock <input type="checkbox"/> Mechanical Code Lock</p> <p><i>Automated Gate</i></p> <p><input type="checkbox"/> Mag Lock <input type="checkbox"/> NO LOCK</p>	<p>8 GATE AUTOMATION / DRIVE SYSTEM</p> <p><input type="checkbox"/> Standard Carriages </p> <p><input type="checkbox"/> Integrator Carriages </p>
<p>6 IS GATE AUTOMATION NEEDED?</p> <p><input type="checkbox"/> Yes <input type="checkbox"/> No _____</p>		



Frequently Asked Questions

Q: Where do I start?

A: The first step is to think about what kind of gate design and gate material you want. The advantage of using our hardware is that you can use practically any gate design with any gate material. Then, let us know the size of the opening and the approximate weight of just the opening part of the gate. We will then come back to you with the suggested model, overall length of gate including counterbalance and size of the foundation required. Armed with that information you can then complete your gate design.

Q: I have seen most cantilever track with a top track system. What are the advantages of the Duragates system over the top track system?

A: There are several advantages actually.

- First of all, the weight of the gate is transferred to the ground, hence it can bear a lot more load than a top track. Besides there are less chances of the track bending/buckling
- You can use any gate material versus mainly steel/aluminum for the top track system
- You can design any gate shape versus only a straight gate for the top track
- Performs better in the snow
- Looks much better versus the industrial look of the top track system
- Our system needs a smaller counterbalance versus the top track thus reducing the overall gate length
- You don't need an elaborate system of posts to mount the gate to. Posts tend to shift over time causing problems in the future. Our system only needs a top guide plate that can be installed even on masonry columns

Q: Can I use any gate material?

A: Yes, you can use practically any gate material as long as you can mechanically attach the gate to the bottom track. In case of a steel or aluminum gate you can just weld the gate to the track, or even use the track itself as the bottom frame of the gate.

Q: The system looks very simple. What am I missing?

A: You are not missing anything! The system is actually very simple. Just a track, 2 wheels and some related accessories. Not just that, it is also very aesthetically appealing with minimal visible hardware.

Q: I live in very heavy snow conditions. How does it perform in these conditions?

A: The product actually works better in the snow than most traditional sliding gate hardware systems.

- The wheels are always covered with the track, hence you never have to clean the wheels.
- There are no exposed rollers unlike some other cantilever systems
- The path of the gate travel has to be cleared of snow, which would have to be done for any gate
- You may have to adjust the foundation depth based on the frost line in your local area

Q: I don't know the weight of my gate. Where do I go from here?

A: We urge you to at least roughly estimate the weight of the gate based on the materials and design used. It is an important starting point in order for us to help you configure the overall gate dimensions.

Q: My gate is very small. Can I use your system?

A: Absolutely. Our system can be used for openings as small as 2 to 3 ft in residential and even indoor applications. You don't need to pour a foundation for small gates/doors such as these. See our project gallery for examples.

Q: Which gate operator can I use?

A: Our system is totally independent of the gate operator. You can use a gate operator of your choice. In fact the face of the bottom track provides a nice surface to mount the gear rack to (for rack/pinion type operators). The track slides very smoothly on the carriages thereby reducing the load on the operator.

Q: What kind of maintenance does it require?

A: None really. The carriages have sealed bearings. Depending on usage, the bearings may wear out eventually and it is then advisable to replace the entire carriage. If you ever want to service the gate, simply remove the end caps and slide the gate off the track.

Q: How much effort will I need to operate the gate?

A: The track slides very smoothly on the carriages and you can operate the gate with just one hand. Of course, depending on the weight of the gate and the application you may want to install a gate operator. Due to the smooth operation, the load on the operator is also reduced.

Q: Can the gate travel at an incline?

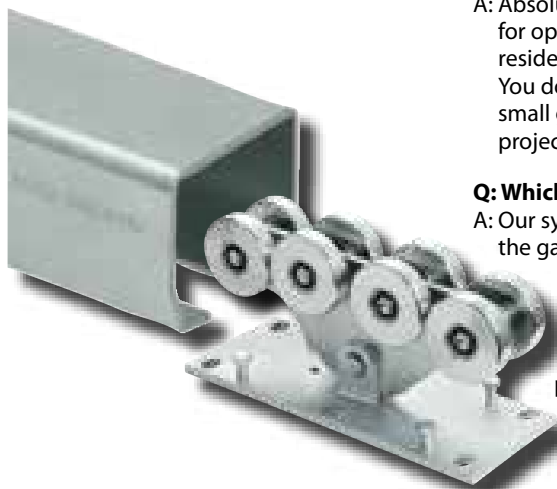
A: Unfortunately that is one application where the gate won't work. The carriages have to be installed horizontally and in one line. However, since it is cantilevered off the ground, the ground itself can be at an incline. You just have to install the gate high enough to clear the highest point on the ground.

Q: Can I install the carriages on a post instead of on the ground?

A: We highly discourage installing the carriages on the post as it will not be able to bear a high load and will also cause problems once the post starts to shift. In fact the system is designed to avoid all the problems associated with mounting the carriages to a post. We realize that there is an added cost involved in making a foundation. However, for light duty applications, many of our customers have been able to post mount the carriages or not pour a foundation. Once you understand how the system works, please use your judgment to determine what could work in your application.

Q: I have an arch top on my gate. What do I use for the top guide?

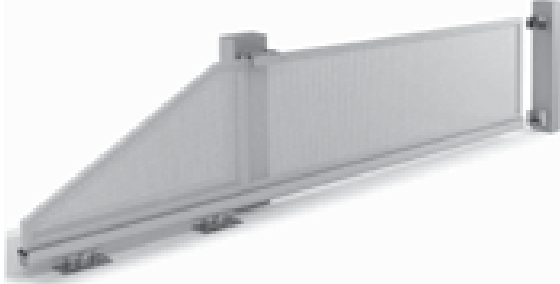
A: For arched and other gate shapes we recommend using the monorail CG-254 and the roller CG-252. This galvanized steel monorail can be installed horizontally somewhere along the full length of the gate and will provide adequate support.



duragates.com

WHY CHOOSE OVER OTHER SLIDING/ROLLING GATE SYSTEMS?

DuraGates enclosed roller system



Benefits of using DuraGates Hardware!

- **Higher Weight Capacity**
With the weight of the gate transferred to the ground, gate openings of up to 65 ft. & 17,000 lbs. or 30-foot & 20,000 lbs. can be accommodated.
- **Enclosed Track**
Enclosed track system helps comply with ASTM F2200 & UL325 safety standards. DuraGates hardware is perfect for snowy, icy, rainy... any environment as the rollers are enclosed inside the track and not affected by precipitation, eliminating the need for constant cleaning and maintenance.
- **Use with any Gate Material**
The gate can be welded, bolted, or mechanically attached to the bottom track.
- **Smaller Overall Gate Length**
The counterbalance is shorter than traditional cantilever hardware which works especially well when space is restricted.
- **Easy Installation**
Once the 2 carriages are mounted on the concrete pad, simply slide the gate on the carriages and add the end wheels.
- **Durability**
High quality rollers and track result in years of trouble-free operation.
- **Reduced Load on Gate Motor**
The gate will roll smoothly and can be operated with one hand. This reduces the load on the gate motor resulting in a longer life and reduced maintenance on the motor.
- **Low Maintenance**
Enclosed, sealed bearing equipped roller construction requires NO lubrication. The sealed bearings stand up to dusty environments where grit would eat up non-sealed bearing designs.
- **Minimal Visible Hardware**
DuraGates requires no wires or overhead track and makes for a more aesthetically pleasing gate system. DuraGates bottom track hardware can be used with arched top rolling gates and allows for greater flexibility in gate design. Automated gates can also have the gear racked mounted inside the bottom track.
- **Unobstructed Driveway**
No track on the ground to trip over and will also work with sloping driveways as the gate travels off the ground.

V-track systems

Pros:

- Nice slide action if there is nothing in the way of the rollers like a garden hose, rock, or other obstruction.



Cons:

- Needs digging of trench along length of driveway for proper installation.
- Ground track can be obstructed by objects laying over it.
- Rollers can possibly be derailed.
- In freezing weather: snow and ice can obstruct the track. When open, the track has potential to be in the way of snow plowing. Rollers can freeze up and no longer slide smoothly.

Overhead track systems

Pros:

- A closed roller system can sometimes prevent snow and ice from impeding the rolling action of the gate.



Cons:

- Bearings in these systems are not typically sealed, requiring more maintenance and grease to keep the bearings within the trucks running smoothly. Grease will accumulate grit, especially in dusty environments and requires constant cleaning to maintain smooth gate action.
- Overhead systems do not usually work well with ornamental gates as the required track looks very industrial if not hidden by the gate.
- Arched top gates are not an option.
- Gate weight is constantly pulling down on the track resulting in limited weight capacity.

Chainlink exposed-roller systems

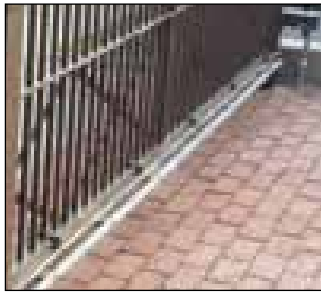
Pros:

- Economical: As this system uses the bottom pipe of the chainlink gate there is no track to purchase, only the rollers to support and guide the gate.



Cons:

- These gates have little aesthetic appeal, and typically only used in industrial applications.
- The gate can get very dirty from the wheel lubrication spreading along the gate frame.
- These gates typically have the least smooth action.
- The rollers are exposed and require constant cleaning.
- Gate requires a minimum 50% counter balance (tail section).



This residence is on a busy street and did not have the space for a swing gate. The homeowner needed an ornamental sliding gate with a decorative top to blend in with an existing fence.

The solution, DuraGates. By using the monorail track, CG-254, and the nylon roller, CG-252, the gate was fabricated with the matching spear points of the fence.



This large entrance required sturdy gates with minimal visible hardware. This client decided to use DuraGates Aluminum Track Model, CGA-350.5P. The gate cantilevers over the driveway instead of having V-Groove track mounted on the ground in the entrance. When the gates are both open, they tuck nicely behind the two brick walls. By choosing the aluminum model, there is no chance of rust or corrosion, making these gates a low maintenance addition to the property.

Both gates have been installed with a Deimos gate operator by BFT and are controlled via remote control.

To deter unauthorized parking, property management required an automated sliding gate so that only their tenants would have access to the apartment parking lot.

To achieve this, DuraGates cantilever hardware was installed as a ground track system would not be possible due to the uneven ground at the entry point. DuraGates also complies with the required ASTM F2200 & UL325 safety standards.



Due to the hardware's versatility, this gate was fabricated to match the deck rails on a porch in order to keep the owner's dogs from venturing out into the yard. The CGS-250.8M galvanized steel track model was used. Due to the small size of the carriages and minimal hardware used to create the gate, it is quite aesthetically pleasing. To a passerby, this front porch would look to be enclosed, since the gate hardware is mostly hidden.



This client chose Integrator model CGS-500.8M for his sliding gate. The Integrator is a new galvanized steel cantilever system with an internal gear-rack drive system. This means the gear rack is installed inside of the DuraGates bottom track hiding it from view. From the outside of the property there is no visible gate hardware. The gate blends seamlessly into the surrounding fence.

THE EVOLUTION CONTINUES

The Integrator

The all new galvanized steel cantilever system with internal gear-rack drive system.

Integrated protection:

- ...from the weather
- ...from tampering
- ...from personal injury
- ...from unsightly chains

Automation ready.

Makes the mechanics disappear for a clean simple look.

Comunello quality - DuraGates support!



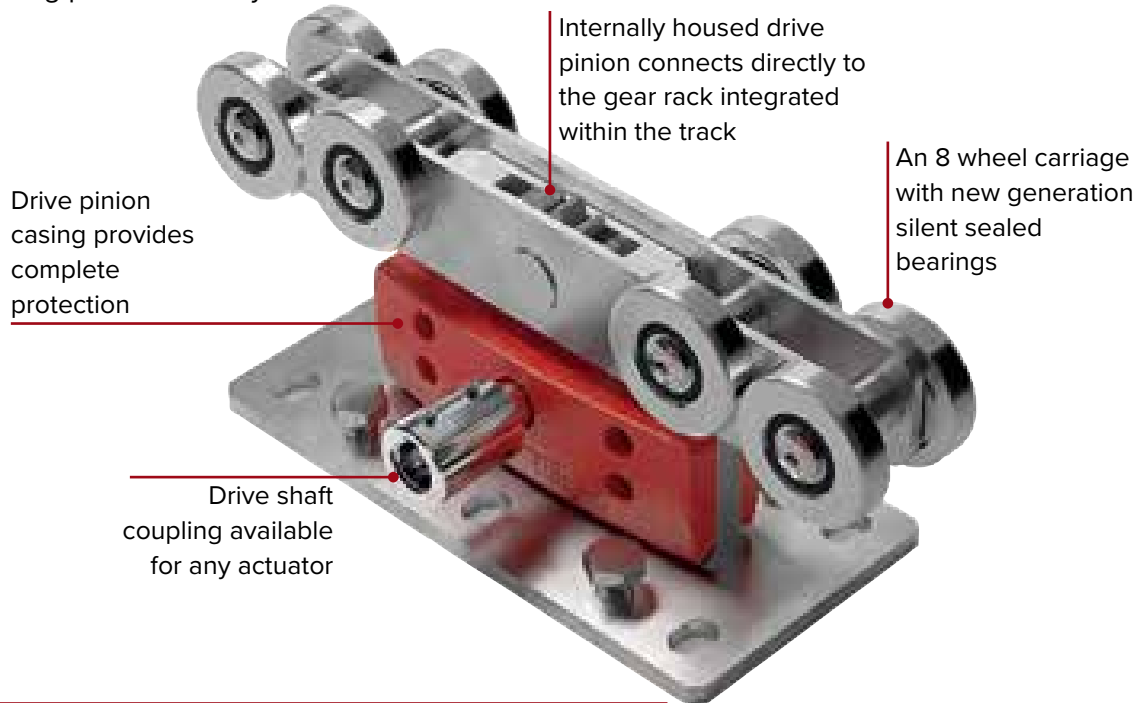
Manufactured by
 **COMUNELLO**
LIFE MADE EASY



Watch a video for more information.

The Integrator hides the drive gear in the carriage and the gear rack inside the track and couples the gate operator directly to the carriage for a unique integrated system that completely hides the drive mechanics.

- The drive pinion and gear rack are completely protected inside the carriage and track, which guarantees excellent protection from ice blockages and other weather related problems.
- Carriage with integrated pinion provides for an easy installation: simply connect the carriage directly to the gate operator using the drive shaft coupling
- Suitable for temperatures ranging from -22°F to 176°F.
- The integrated drive system protects the moving parts and gives a clean, elegant look while increasing personal safety.



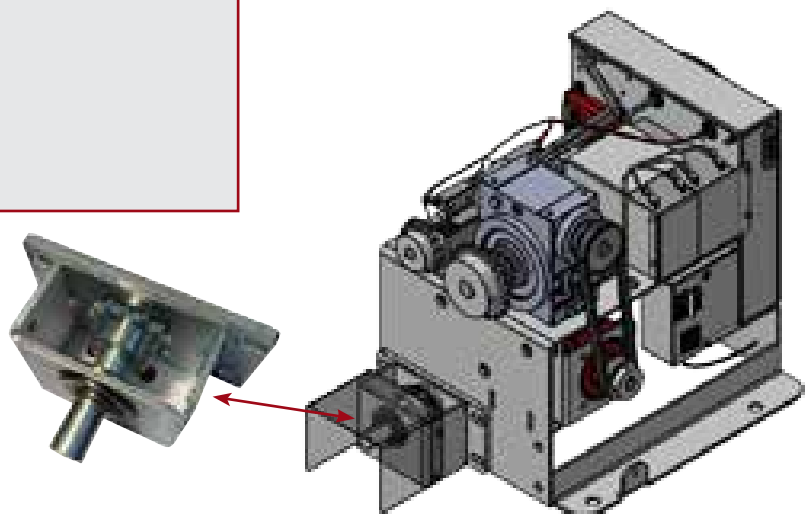
Features & Benefits:












- Noiseless bearings of new generation shielded to protect against dust suitable for temperatures from -22°F to 176°F
- Self-balancing
- 8 support wheels for each carriage
- Quiet operation
- Increased personal safety
- Next Gen technology

CGS-MP-ADP

Jack Shaft Chain Drive Adaptor

When used in conjunction with the CG-58 coupling, this allows a typical chain drive gate operator to be used to drive the DuraGates Integrator carriage to open, close, and control a cantilever slide gate.



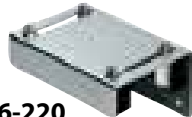
Model	CGS-500.8M	CGS-500.8P	CGS-500.8G
Opening range: Weight:	10 ft. up to 840 lbs. 24 ft. up to 830 lbs.	12 ft. up to 1400 lbs. 35 ft. up to 1300 lbs.	16 ft. up to 2700 lbs. 52 ft. up to 2350 lbs.
CARRIAGES 	CGS-500.8M Small Primary/Secondary 8-Wheel Carriage Set • Driven Primary Carriage • Secondary Carriage	CGS-500.8P Large Primary/Secondary 8-Wheel Carriage Set • Driven Primary Carriage • Secondary Carriage	CGS-500.8G Grande Primary/Secondary 8-Wheel Carriage Set • Driven Primary Carriage • Secondary Carriage
TRACK 	CGS-345M Small, galvanized steel 19'8" or 9'10" lengths	CGS-345P Large, galvanized steel 19'8" or 9'10" lengths	CGS-345G Grande, galvanized steel 19'8" or 9'10" lengths
RACK 	CG-50M 4'11" Gear Rack w/Mounting Screws	CG-50P 4'11" Gear Rack w/Mounting Screws	CG-50G 3'4" Gear Rack w/Mounting Screws
TEMPLATE 	CG-55M Gear rack centering device Set of 2 pieces Installation tool to center and align gear rack in track	CG-55P Gear rack centering device Set of 2 pieces Installation tool to center and align gear rack in track	CG-55G Gear rack centering device Set of 2 pieces Installation tool to center and align gear rack in track
ADAPTER 	CG-58 Drive Shaft Coupling	CG-58 Drive Shaft Coupling	CG-58G Drive Shaft Coupling
TYPICAL ACCESSORIES			
2x 	CGS-347M End Wheel for UL325 Compliance	CGS-347P End Wheel for UL325 Compliance	CGS-347G End Wheel for UL325 Compliance
1x 	CGS-346M Bottom End Cup	CGS-346P Bottom End Cup	CGS-346G Bottom End Cup
2x 	CG-15M Adjustable mounting bracket	CG-15P Adjustable mounting bracket	CG-15G Adjustable mounting bracket
1x 	CG-30M Gate receiver, 2" - 3" frame	CG-30P Gate receiver, 3-3/8" - 4-1/2" frame	CG-30G Gate receiver, 4" - 6" frame
12x 	CG-348-M16 Threaded J-bolt for mounting carriages.	CG-348-M16 Threaded J-bolt for mounting carriages.	CG-348-M20 Threaded J-bolt for mounting carriages.
2x 	CG-05P Foundation plate for carriage	CG-05P Foundation plate for carriage	CG-05G Foundation plate for carriage

TOP GUIDE OPTIONS

Adjustable Guiding Plate with roller covers to avoid pinch points.



255-220-C
For up to 2 3/4" frame



256-220
For up to 3" frames
256-300
For up to 4 1/2" frames

Galvanized & Aluminum Guide Rail

- CG-254**
Galvanized 1 1/2" I.D. U-Channel, 9'10"
- RG-387-19.68FT**
Galvanized 1 1/2" I.D. U-Channel, 19'8"
- RG-387-9.84FT**
Galvanized 1 1/2" I.D. U-Channel, 9'10"
- CG-237-20FT / CG-237-10FT**
Aluminum 1 1/2" I.D. U-Channel, 20' / 10'

SIDE MOUNT GUIDE OPTIONS

CG-252-30
Single Roller, 1 1/4" dia.

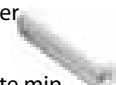


258-30
Double Roller
1 1/4" dia.



Nylon Replacement
Rollers
230-30, 1 1/4" dia.
230-40, 1 1/2" dia.

253-40
10" Side Roller
1 1/4" dia.
2" clearance
Use 2 per gate min.

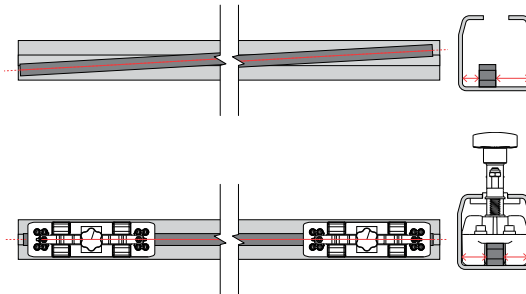
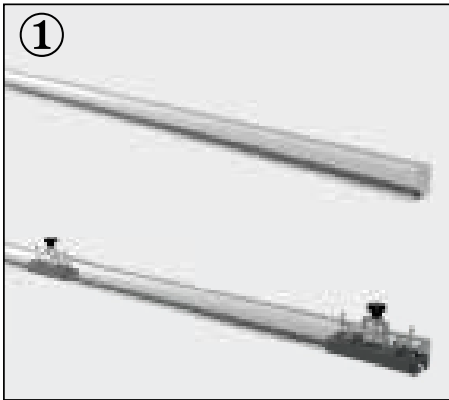


USE FOR GATES WITH AN ARCHED TOP OR PROTRUDING PICKETS

The Integrator Gear Rack Installation Tool



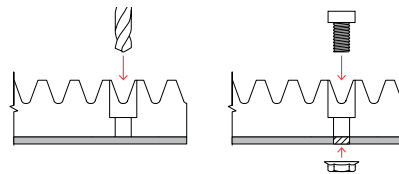
The integrator installation tool is a centering and alignment guide. It quickly and simply centers the gear rack along its length by sliding into position inside the track. The central slot in the guide base holds the gear rack centered in the track. The screw adjustment locks the tool in position so that the pre-drilled holes on the gear rack can be used as a template for drilling into the track. When a second piece of gear rack is required, just position the guide between the two gear racks and tighten the locking screw. This will perfectly align the teeth between the two gear racks.



Position the first piece of gear rack inside the track. Use two template guides, one positioned at each end of the gear rack to center the gear rack lengthways within the track.

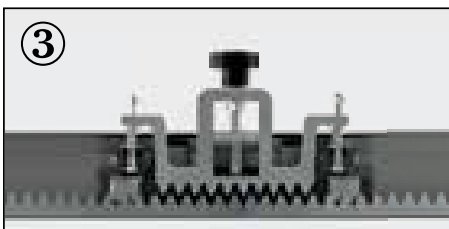


Using the pre-drilled gear rack as a guide, drill mounting holes in the track. Screw the gear rack to the track.

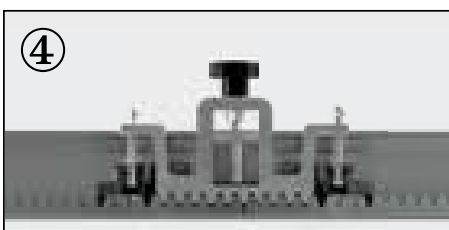
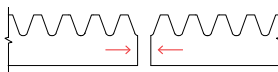


Drill Bit Sizes:

CG-50M	5.2mm
CG-50P	6.2mm
CG-50G	10.2mm



Insert the second piece of gear rack.



Position the template guide between two pieces of gear rack and tighten the locking screw. The gear rack teeth are registered and spaced correctly as the guide is tightened into place. After locking the second guide at the far end of the gear rack, use the pre-drilled gear rack as a guide to continue drilling mounting holes in the track.

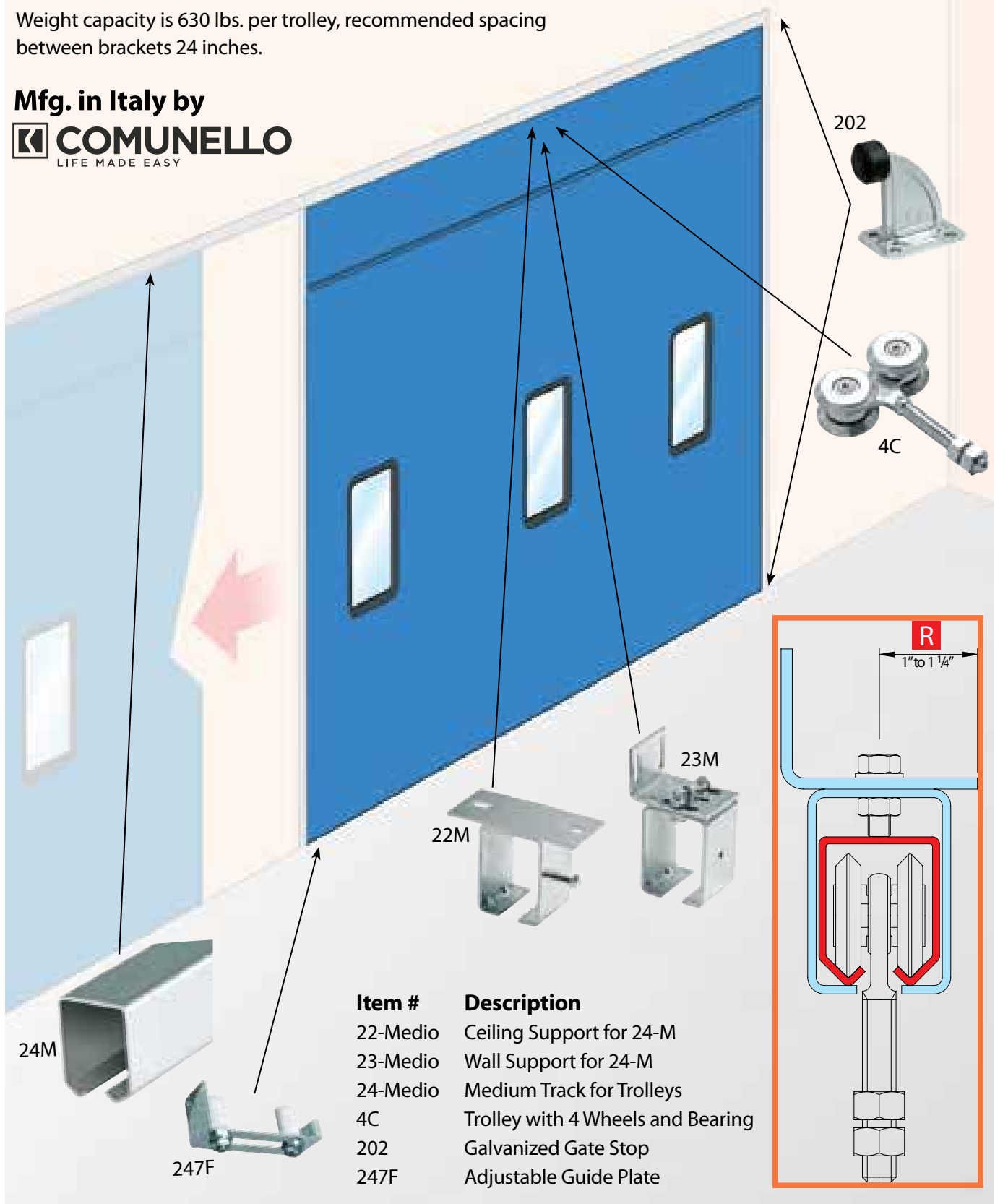
OVERHEAD TRACK SYSTEM FOR SLIDING DOOR

Sliding solution for industrial doors. Trolleys and tracks for upper sliding doors for all applications, even when guides cannot be installed in the floor. The trolleys feature shielded bearings that provide greater load capacity and are quieter than ball bearings. All accessories are galvanized.

Weight capacity is 630 lbs. per trolley, recommended spacing between brackets 24 inches.

Mfg. in Italy by

COMUNELLO
LIFE MADE EASY



Item #	Description
22-Medio	Ceiling Support for 24-M
23-Medio	Wall Support for 24-M
24-Medio	Medium Track for Trolleys
4C	Trolley with 4 Wheels and Bearing
202	Galvanized Gate Stop
247F	Adjustable Guide Plate

GROUND TRACK ROLLING GATE SYSTEMS

Mfg. in Italy by  **COMUNELLO**
LIFE MADE EASY



Manufactured in Italy by Comunello, this galvanized ground rolling gate hardware is a high quality system for residential and commercial applications.

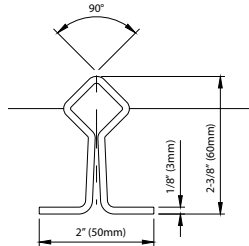
The V-groove and Round track can either be cemented in the ground or bolted in place. A wide variety of wheels are available with weight capacities ranging from 485lbs - 4200lbs based on size and method for attaching to the gate.

V-GROOVE ROLLING GATE SYSTEM

V-GROOVE TRACK - GALVANIZED

292-10FT
292-20FT

V-groove track to be recessed into the concrete foundation.

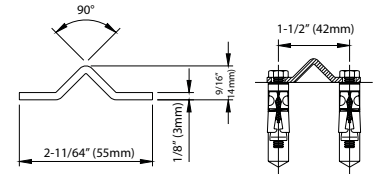


293-10FT
293-20FT

V-groove track to be bolted in place.

Hole size: 1/4" x 5/16"

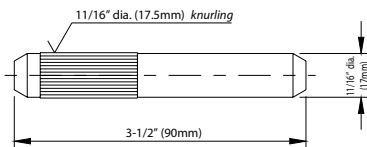
Spacing: 19-5/8" offset each side



V-GROOVE CONNECTION PINS - GALVANIZED

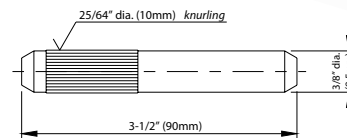
294

Connection pin to be used with track item 292



295

Connection pin to be used with track item 293



Deadbeach Brewery was looking for a gate option for the entry to their brewery. The steel gate the brewery was envisioning was going to be heavy. The rolling gate needed sturdy track and wheels to support the weight of the gate.

Black Knuckle Metals suggested the V-groove profile ground track and heavy duty wheels to roll the gate. The final gate works flawlessly and incorporates the Brewery's logo and features a laser cut hops design at the bottom of the gate.

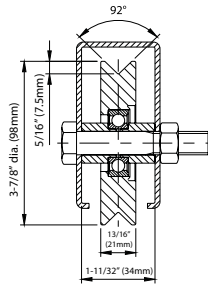
Items used:
293 and 305V-160

V-GROOVE ROLLING GATE SYSTEM

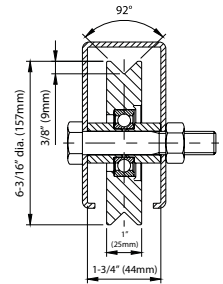
STANDARD V-GROOVE WHEELS - GALVANIZED



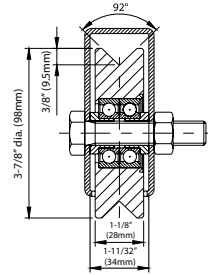
- 300V-100**
- 4" wheel with **single bearing**
 - M14 x 70mm wheel pin
 - 485lb capacity per wheel



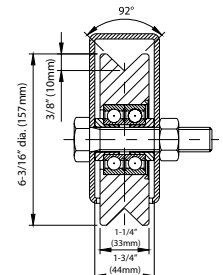
- 300V-160**
- 6" wheel with **single bearing**
 - M16 x 70mm wheel pin
 - 640lb capacity per wheel



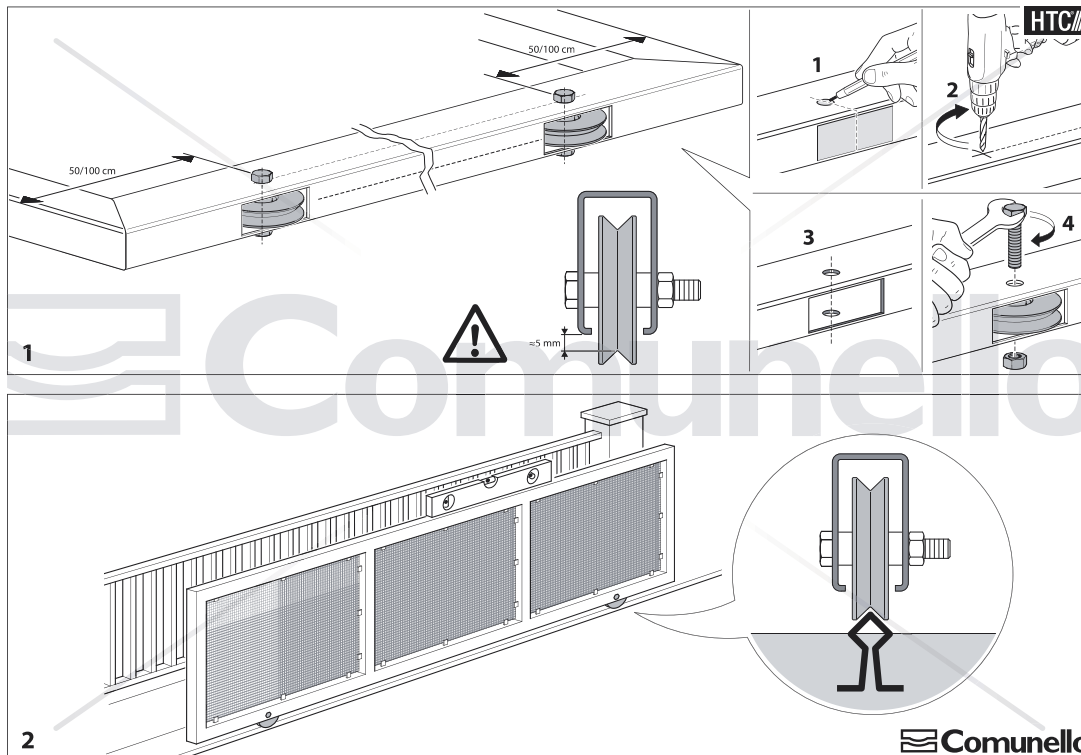
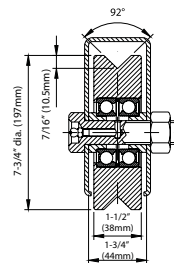
- 305V-100**
- 4" wheel with **double bearing**
 - M14 x 70mm wheel pin
 - 940lb capacity per wheel



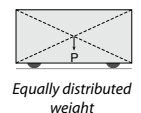
- 305V-160**
- 6" wheel with **double bearing**
 - M16 x 70mm wheel pin
 - 1270lb capacity per wheel



- 322V-200**
- 8" heavy duty wheel with **double bearing**
 - M18 x 70mm wheel pin
 - 2205lb capacity per wheel
 - grease zerk fittings in axle



Comunello
© 2018 - tutti i diritti sono riservati

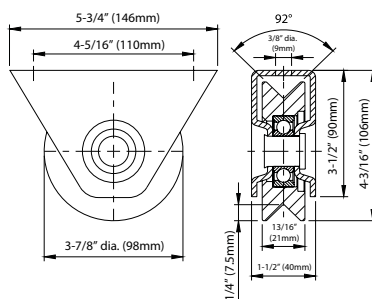


V-GROOVE ROLLING GATE SYSTEM

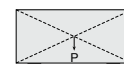
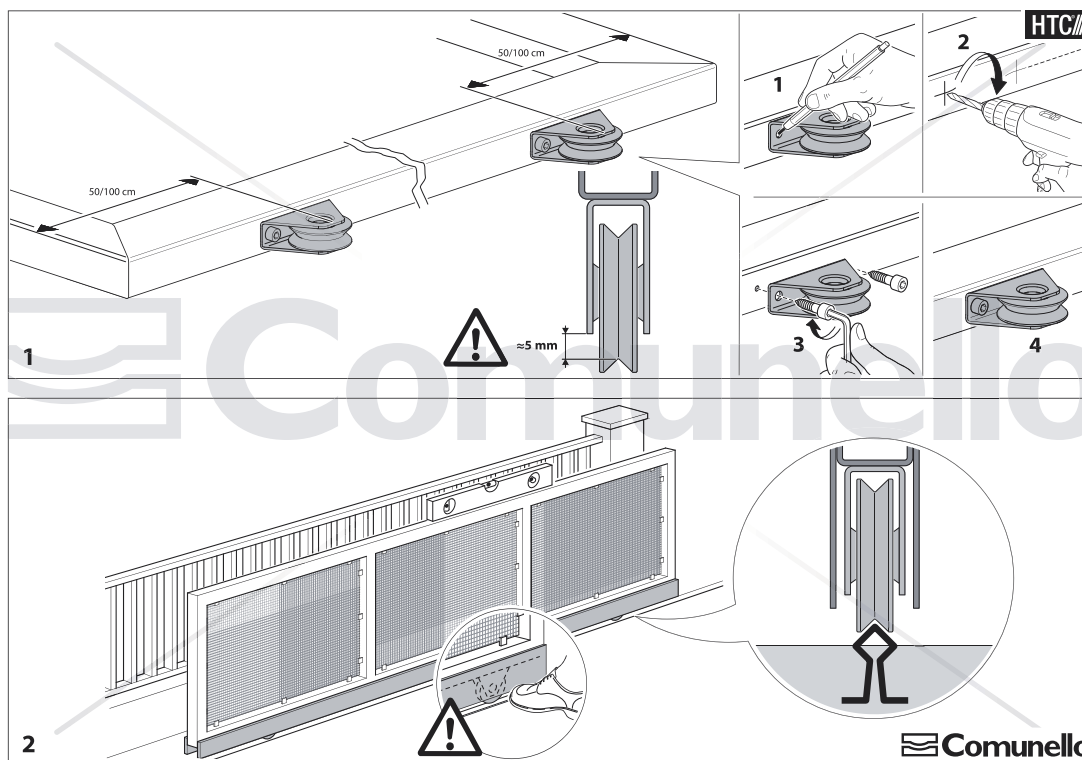
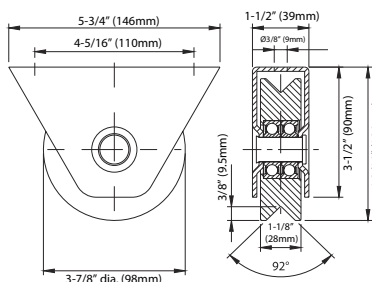
SURFACE MOUNTED V-GROOVE WHEELS - GALVANIZED



- 325V-100**
- 4" wheel with **single bearing** and external surface mount support
 - 485lb capacity per wheel



- 326V-100**
- 4" wheel with **double bearing** and external surface mount support
 - 890lb capacity per wheel



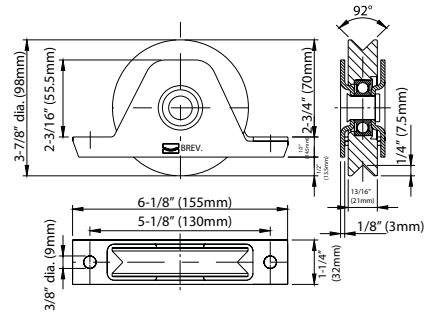
Equally distributed weight

V-GROOVE ROLLING GATE SYSTEM

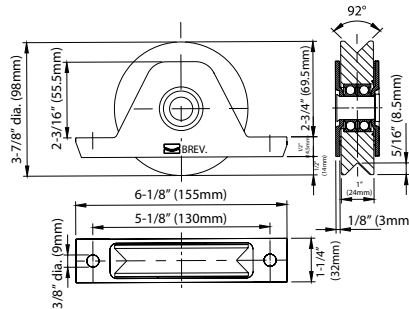
RECESSED MOUNT V-GROOVE WHEELS - GALVANIZED



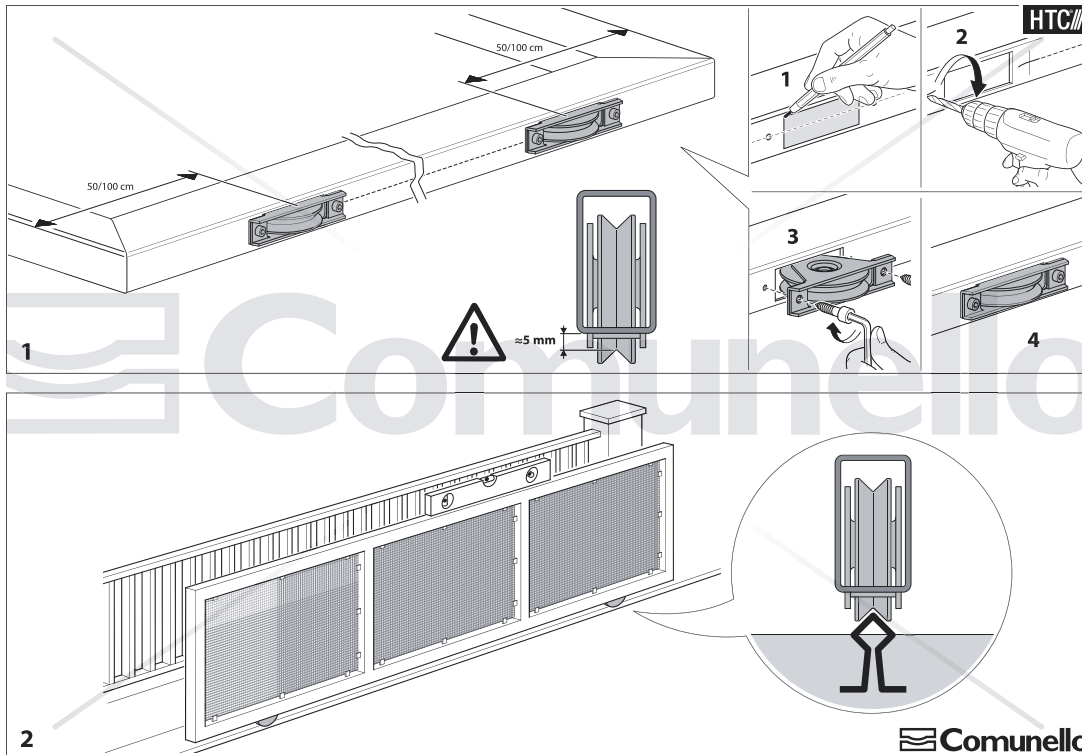
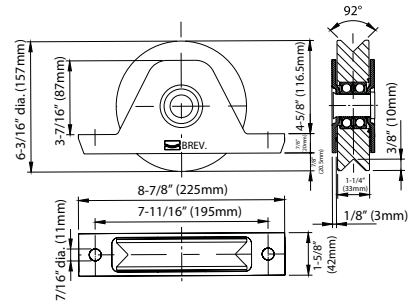
- 335V-100**
- 4" wheel with **single bearing** and recessed mounting plate
 - 440lb capacity per wheel



- 336V-100**
- 4" wheel with **double bearing** and recessed mounting plate
 - 840lb capacity per wheel



- 336V-160**
- 6" wheel with **double bearing** and recessed mounting plate
 - 1410lb capacity per wheel



Comunello

Equally distributed weight

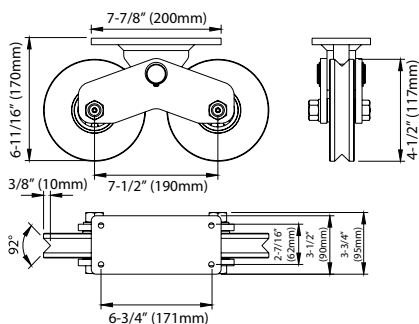
V-GROOVE ROLLING GATE SYSTEM

HD TWIN WHEEL V-GROOVE - GALVANIZED



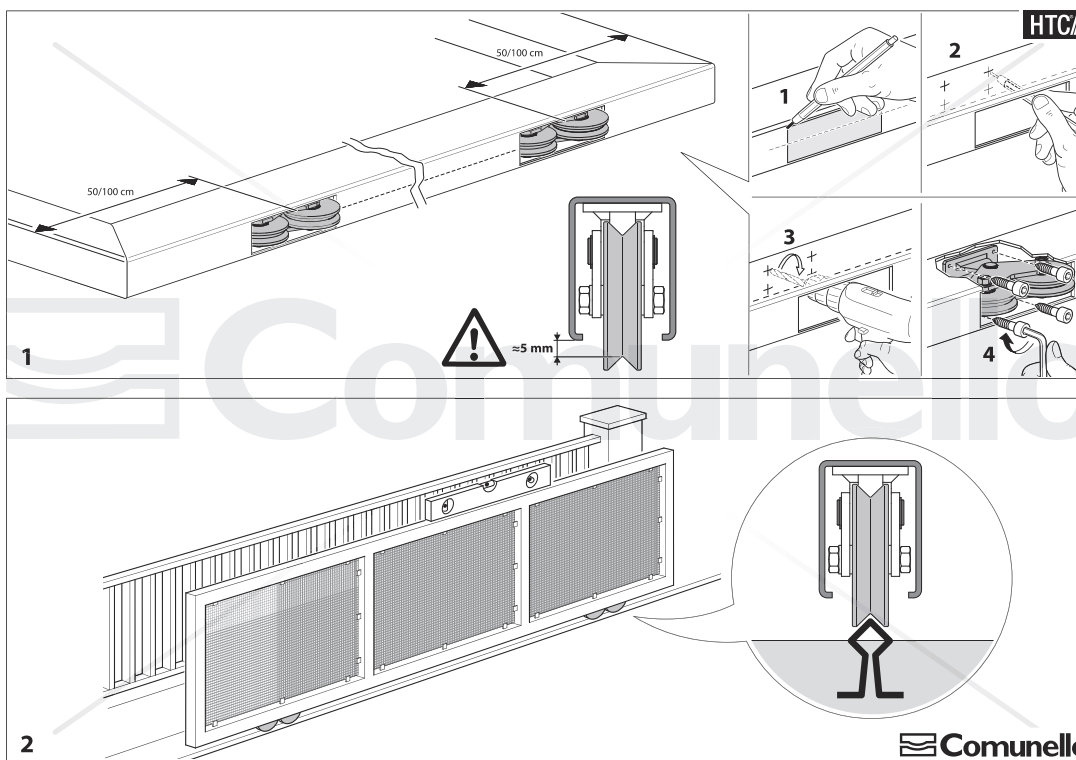
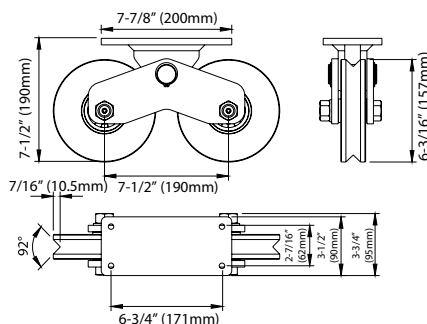
339V-120

- 4-3/4" heavy duty surface mounted twin wheels with **double bearing**
- M18 x 80mm wheel pin
- 2645lb capacity per wheel
- grease zerk fittings in axle

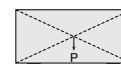


339V-160

- 6" heavy duty surface mounted twin wheels with **double bearing**
- M18 x 80mm wheel pin
- 4230lb capacity per wheel
- grease zerk fittings in axle



Comunello
© 2009 - Tutti i diritti sono riservati



Equally distributed weight

ROUND GROUND ROLLING GATE SYSTEM

WHY ROUND?

- Improved rolling performance over time
- The weight of the gate does not ride on the top of a "V", but across the top of the round surface
- Rolls easier
- Lasts longer

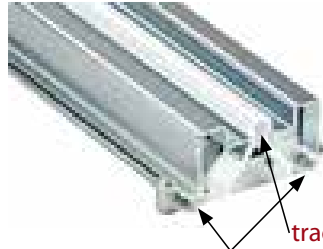
ROUND TRACK - GALVANIZED



289G-19.68FT
289G-9.84FT
Galvanized, to be bolted in place.

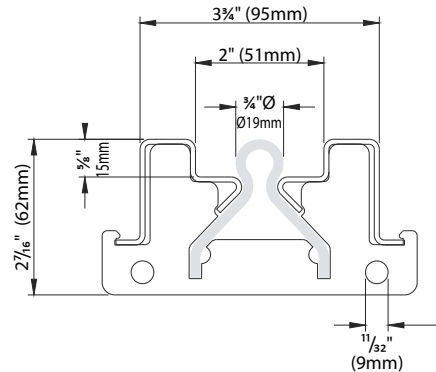
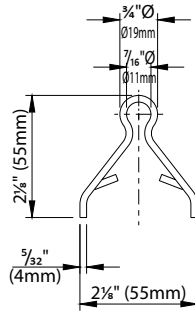
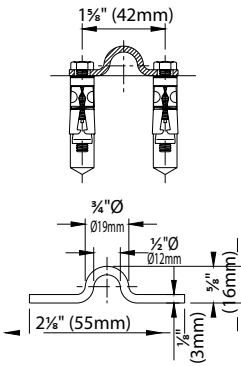


287G-19.68FT
287G-9.84FT
Galvanized, to be recessed into the concrete foundation.



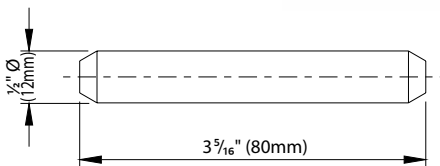
connector rods
The connector rods are 9mm dia. (approx 11/32" dia.)

287FP-G-19.68FT
287FP-G-9.84FT
Galvanized, recessed guide so track is mounted at floor level.
Track and connector rods sold separately.

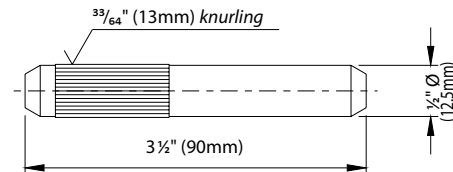


CONNECTION PINS - GALVANIZED

291
Connection pin to be used with track item 289G



297
Connection pin to be used with track item 287G



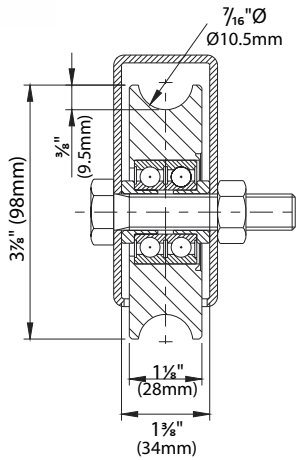
ROUND GROUND ROLLING GATE SYSTEM

STANDARD ROUND PROFILE WHEEL - GALVANIZED



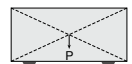
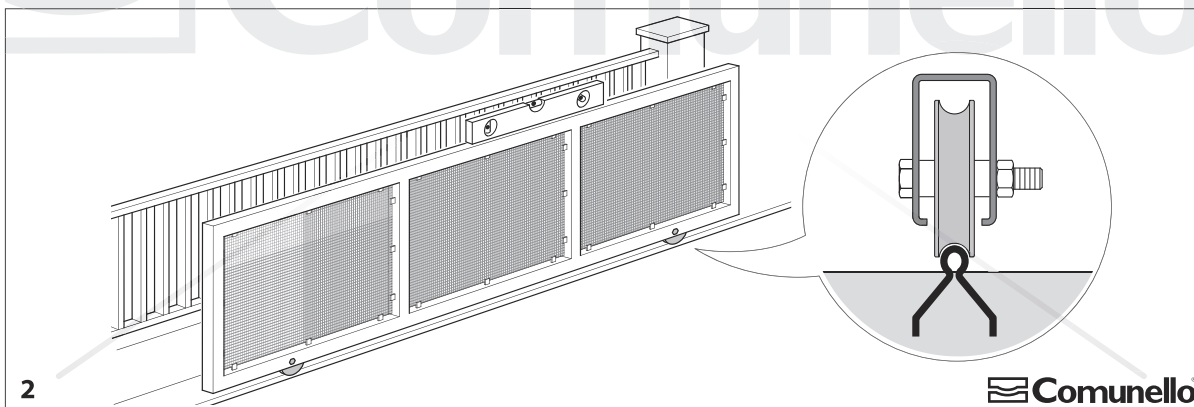
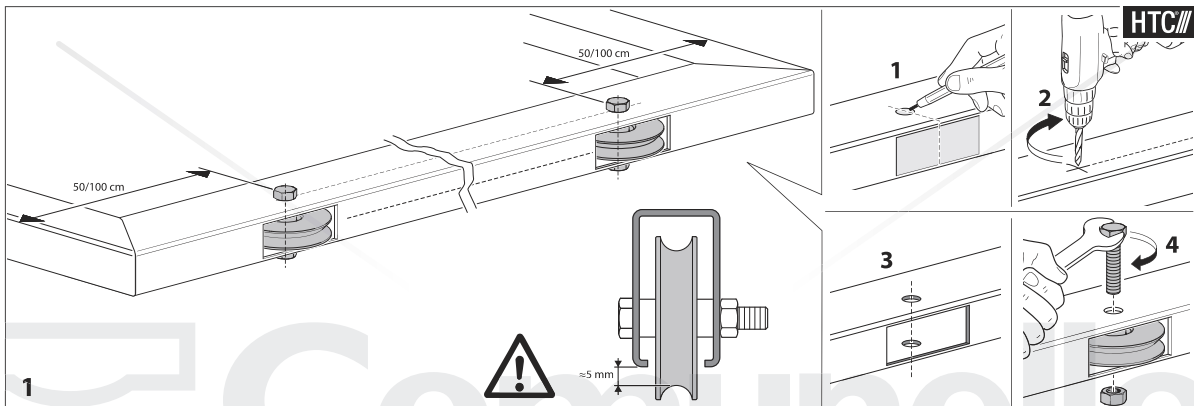
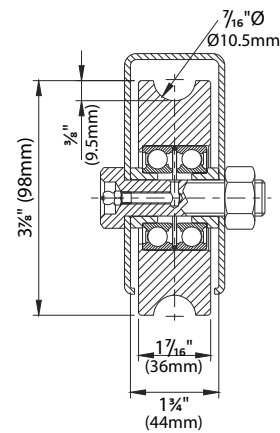
315-100

- 4" heavy duty wheel with **double bearing**
- M14 x 70mm wheel pin
- 935 lb. capacity per wheel



324-100 (C-44)

- 4" heavy duty wheel with **double bearing**
- M18 x 70mm wheel pin
- 1278 lb. capacity per wheel
- grease zerck fittings in axle



Equally distributed weight

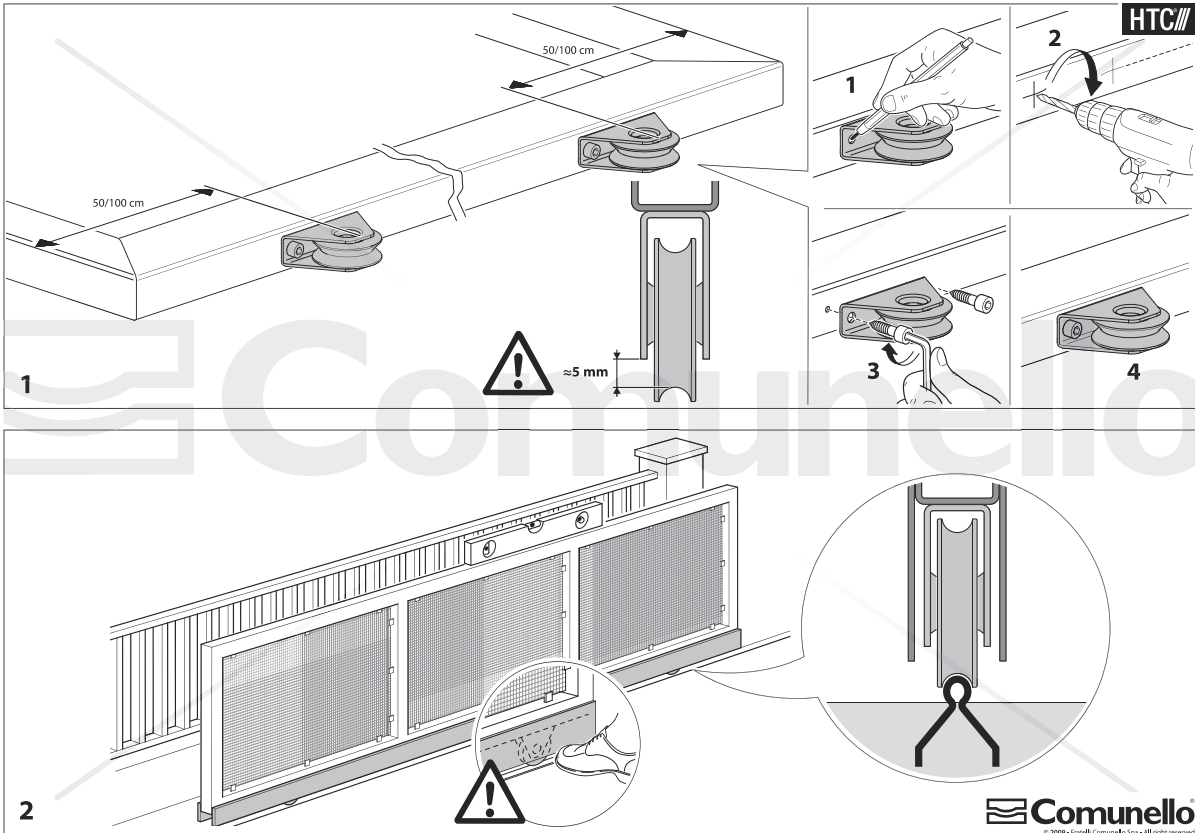
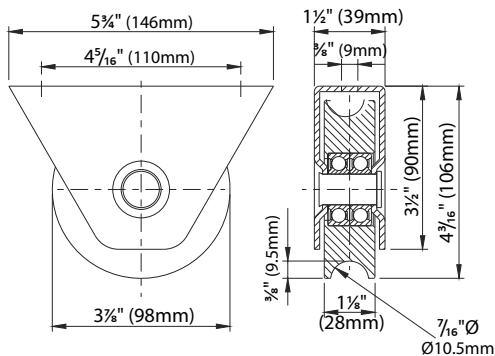
ROUND GROUND ROLLING GATE SYSTEM

SURFACE MOUNTED ROUND PROFILE WHEEL - GALVANIZED

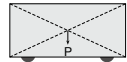


328-100

- 4" wheel with **double bearing** and external surface mount support
- 880 lb. capacity per wheel



Comunello
© 2009 - Tutti i diritti Comunello S.p.A. - All right reserved



Equally distributed weight

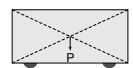
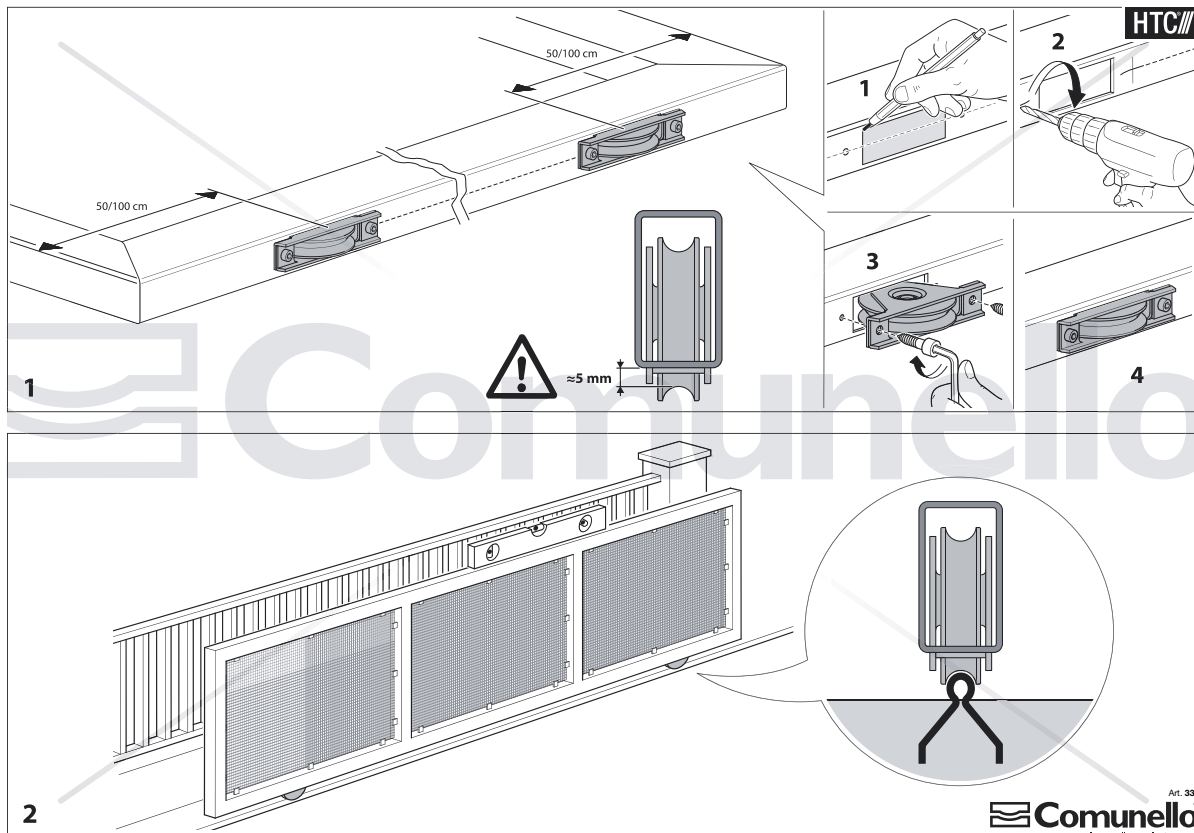
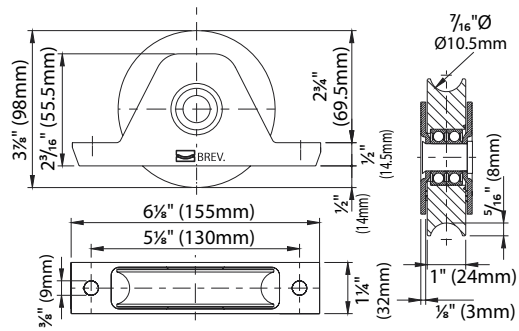
ROUND GROUND ROLLING GATE SYSTEM

RECESSED MOUNTED ROUND PROFILE WHEEL - GALVANIZED



338-100

- 4" wheel with **double bearing** and recessed mounting plate
- 835 lb. capacity per wheel



Equally distributed weight

GROUND TRACK ROLLING GATE SYSTEM ACCESSORIES

TOP GUIDE OPTIONS - GALVANIZED

Adjustable Guiding Plate with roller covers to avoid pinch points.

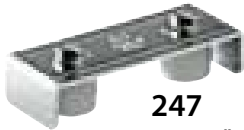


255-220-C
For up to 2 5/8" frame



256-220
For up to 3" frames

256-300
For up to 4 1/2" frames



247
For 1 1/4" to 2" Frames



247F
For up to 3 3/8" frames

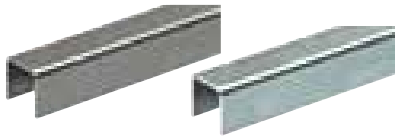


249-30
Wall mount top guide

SIDE MOUNT GUIDE OPTIONS - GALVANIZED

USE FOR GATES WITH AN ARCHED TOP OR PROTRUDING PICKETS

Galvanized & Aluminum Guide Rail



CG-254
Galvanized 1 1/2" I.D. U-Channel, 9'10"

RG-387-19.68FT
Galvanized 1 1/4" I.D. U-Channel, 19'8"

RG-387-9.84FT
Galvanized 1 1/4" I.D. U-Channel, 9'10"

CG-237-20FT
Aluminum 1 1/4" I.D. U-Channel, 20'

CG-237-10FT
Aluminum 1 1/4" I.D. U-Channel, 10'



258-30
Double Roller
1 1/4" dia.



CG-252-30
Single Roller
1 1/4" dia.

Non Marring
Rubber Rollers
2-1/4" dia.

NR3
3" Roller
NR6
6" Roller



Rubber Rollers
2-3/8" dia.

RR3
3" Roller
RR6
6" Roller
RR12
12" Roller

253-40
10" Side Roller
1-1/4" dia.
2" clearance
Use 2 per gate min.



GATE STOP - GALVANIZED



202
• Runaway stop
• Mounted via screws
• 4-3/4" high



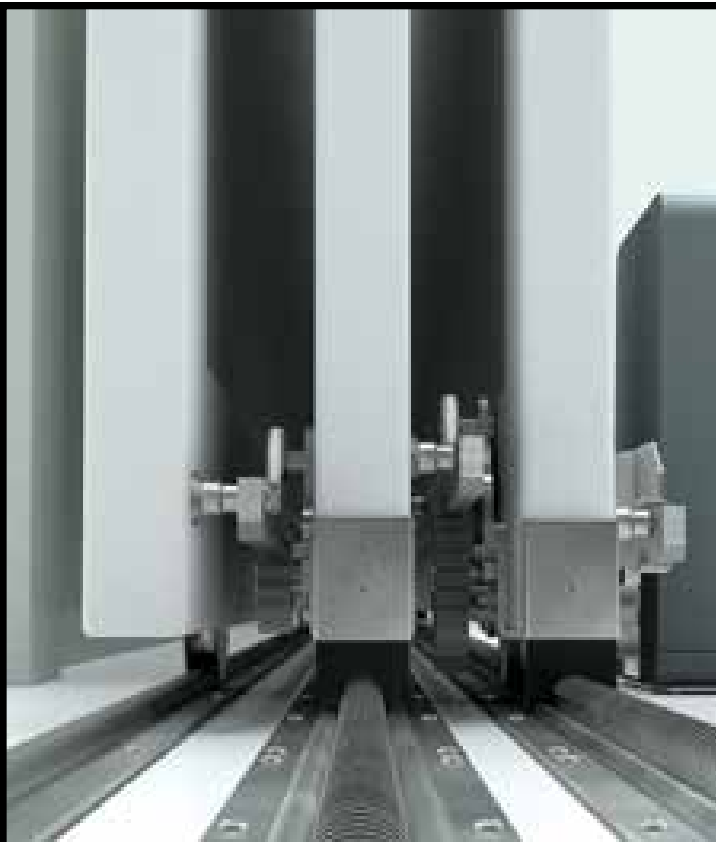
202F-A
Damped runaway stop. Mounted via screws.

NYLON REPLACEMENT ROLLERS



230-30
1-1/4" dia.
(30mm)

230-40
1-1/2" dia.
(39mm)



Ranger

The Comunello telescoping gate system.

- Up to 40ft opening requiring only 15ft of space to slide into
- Low maintenance
- Maintains precision
- No unsightly cables

Manufactured by
 **COMUNELLO**
LIFE MADE EASY

Telescoping
Sliding Gate Configurator
available at
archirondesign.com

The Ranger telescoping system uses an innovative ground mounted rack track to drive a second leaf from the first. This track transmits movement using a system of hidden pinions that connect to the side gear rack, driving the next leaf. The simplicity of the Ranger system ensures that it is easy to install, performs reliably, and requires little maintenance. No cables are used so there is no stretching and no regular adjustments are needed. The rack track is brushed clean on every opening by the two cleaning brushes installed on the front and back of each gate leaf.



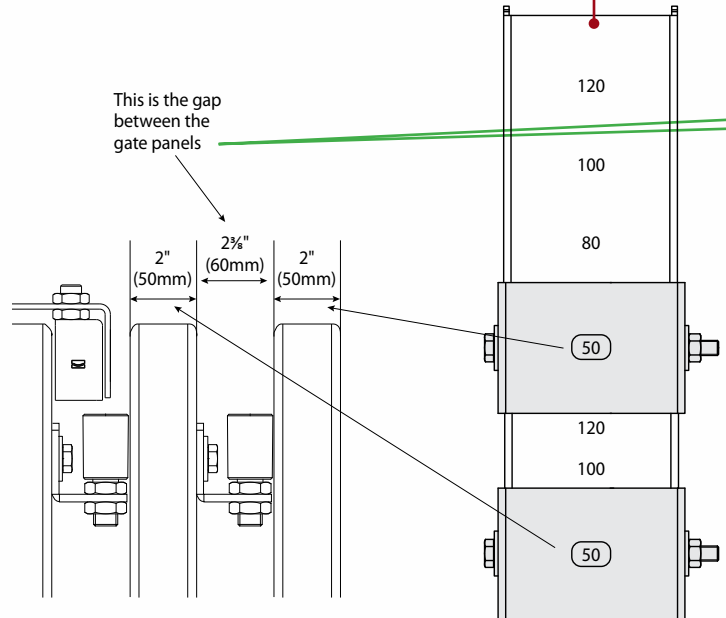
Watch a video for more information.

RANGER TELESCOPING SLIDING GATE SYSTEM

Ranger features:

- 2 leaf telescoping system
—Max Gate Leaf 14'4" and 880 lbs.
- 3 leaf telescoping system
—Max Gate Leaf of 14'7" and 440 lbs.
- Durable galvanized and zinc coated steel hardware
- Large gate opening possible for compact spaces
- Precise, high quality, ground-mounted rack driven track system
- Cableless rack and pinion transmission of movement between the leaves

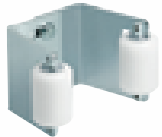
The **RG-10 template guide** sets the spacing between the gate panels at 2-3/8" (60mm) for proper spacing alignment for the top guide wheels and drive rack and pinion combination. Set the template guide to 50 for 2" gate profiles as shown.



CG-15M
Adjustable
mounting bracket



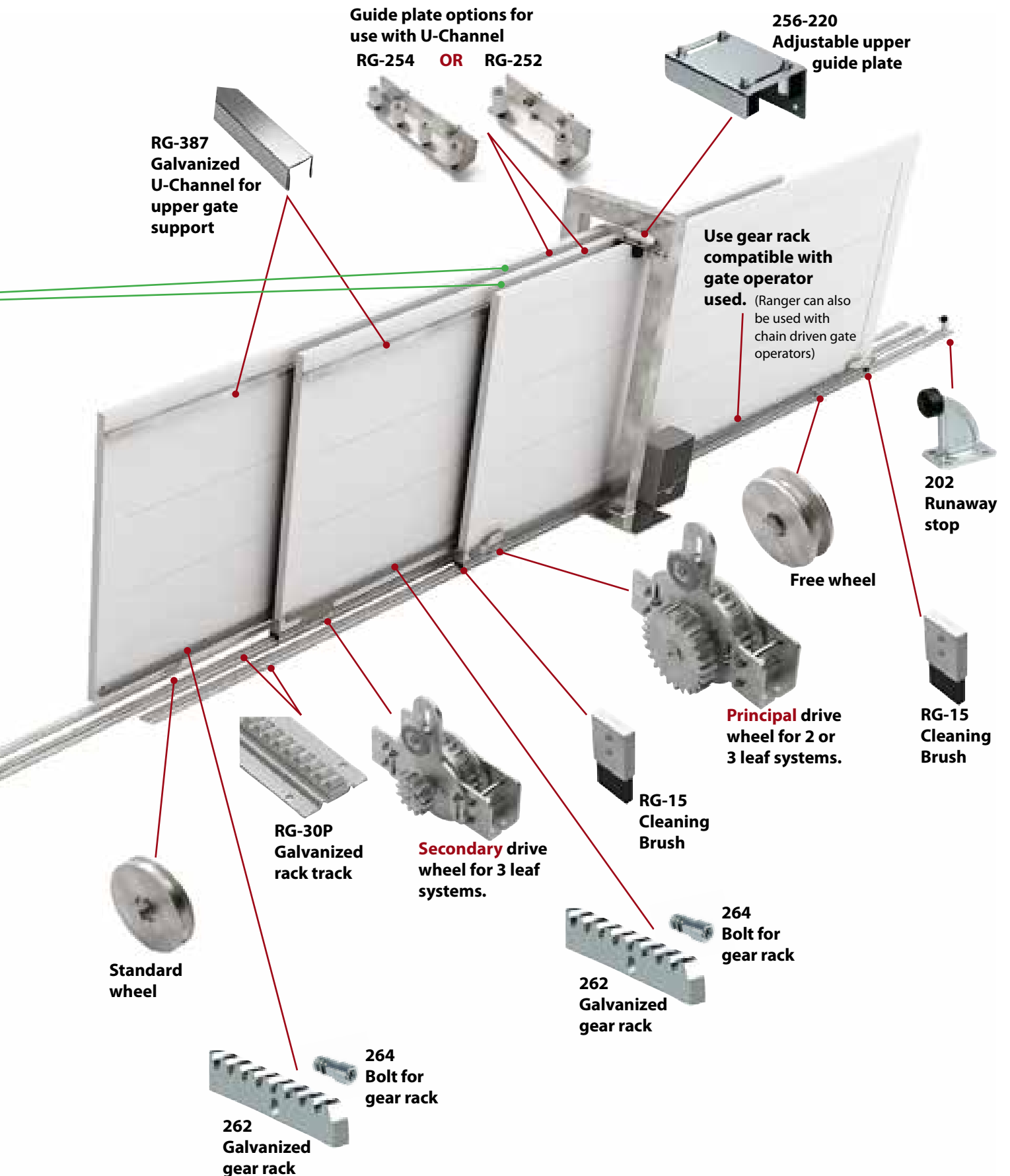
CG-30M
Gate receiver



289G
Galvanized half round track



RANGER TELESCOPING SLIDING GATE SYSTEM

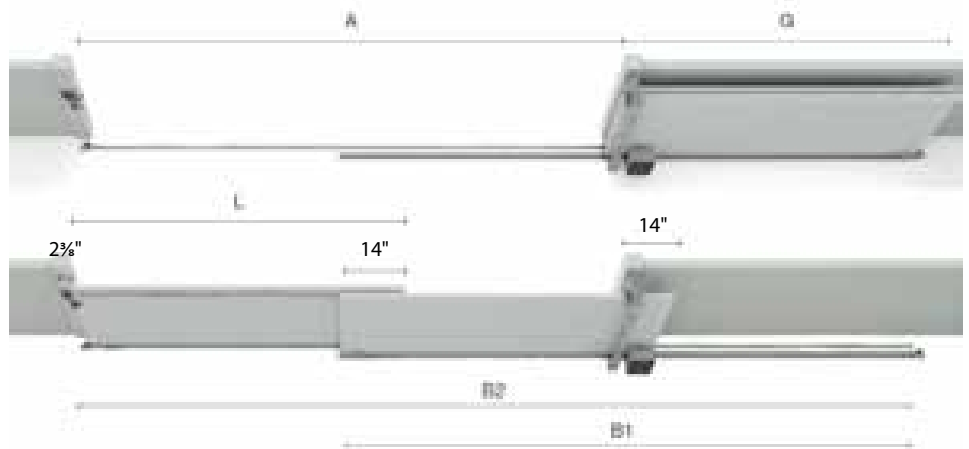


RANGER TELESCOPING SLIDING GATE 2 LEAF KIT

Ranger Kit RG2-120-50

Configurator for
2 leaf gates

- Fits **2" x 4" frame**
- 880 pounds per leaf maximum
- 26ft maximum opening



GATE FORMULAS

Gate Leaf Length

$$L \text{ (in)} = (A + \mathbf{2.5}) \div 2 + \mathbf{14}$$

Min Space when Open

$$G \text{ (in)} = L + \mathbf{8}$$

Rack Drive Track Length

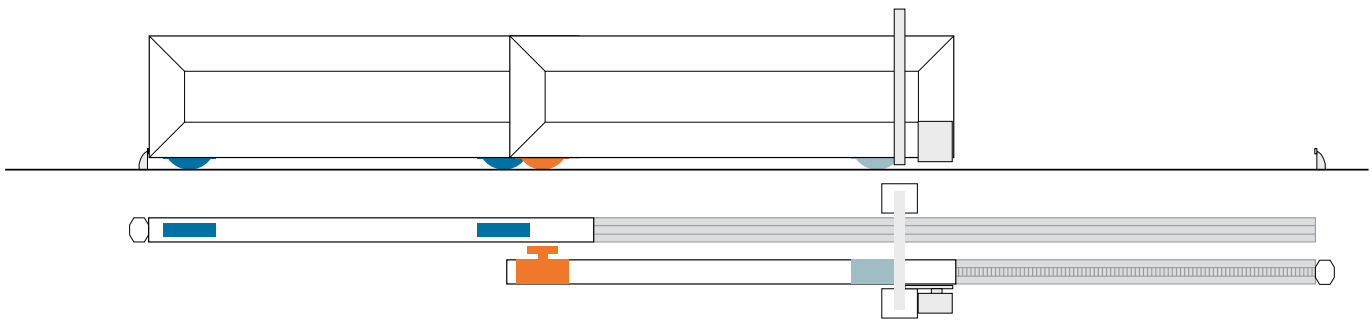
$$B1 \text{ (in)} = L \times 2 - \mathbf{14}$$




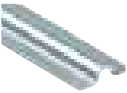




Half Round Track Length

$$B2 \text{ (in)} = L \times 3 - \mathbf{28}$$

Note: The parameters in **BOLD** in the formulas above are inches.

Opening Width A (ft)	Gate Leaf Length L (ft)	Minimum Clear Space on Open Side G (ft)	Rack Track Length Item RG-30 B1 (ft)	Half Round Track Length Item 289 B2 (ft)
6	4'4"	5'	7'6"	10'8"
8	5'4"	6'	9'6"	13'9"
10	6'4"	7'	11'6"	16'9"
12	7'4"	8'	13'6"	19'9"
14	8'4"	9'	15'6"	22'9"
16	9'4"	10'	17'6"	25'9"
18	10'4"	11'	19'6"	28'9"
20	11'4"	12'	21'6"	31'9"
22	12'4"	13'	23'6"	34'9"
24	13'4"	14'	25'6"	37'9"
26	14'4"	15'	27'6"	40'9"



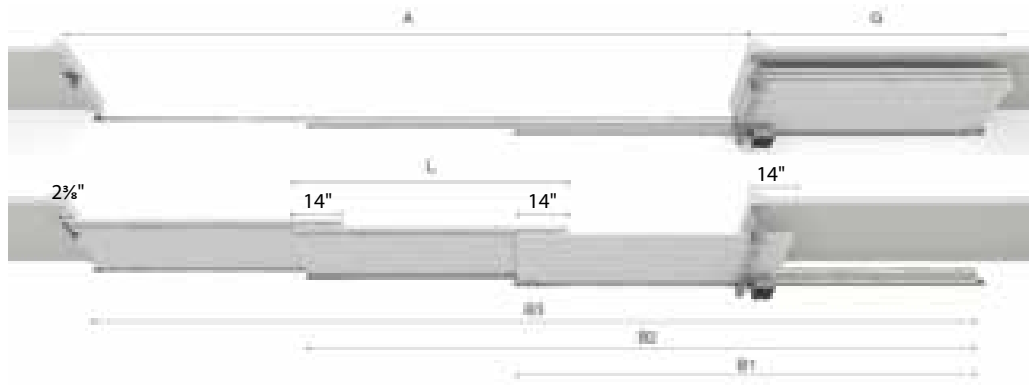
2 LEAF KIT		Opening Range: 26ft max • Weight: 880lbs per leaf max	
WHEELS	  	RG2-120-50 1 drive wheel 1 free wheel 2 standard wheels with half-round groove	
TRACK	RG-30P Galvanized Rack Track 6'6" sections <i>Use table above to calculate track needed by using (B1)</i>	 289G-19.68FT 289G-9.84FT Galvanized Half Round Track <i>Use table above to calculate track needed by using (B2)</i>	 291 Connection Pin
RACK	 262 Galvanized Gear Rack 3'3" sections	 266 Gear rack connection to screw rack to gate	 264 Gear rack connection to weld rack to steel gate <i>(3 connectors are needed per 3'3" section of gear rack)</i>

RANGER TELESCOPING SLIDING GATE 3 LEAF KIT

Ranger Kit RG3-120-50

Configurator for
3 leaf gates

- Fits **2" x 4" frame**
- 440 pounds per leaf maximum
- 40ft maximum opening



Opening Width A (ft)	Gate Leaf Length L (ft)	Minimum Clear Space on Open Side G (ft)	Rack Track Length Item RG-30 B1 (ft)	Rack Track Length Item RG-30 B2 (ft)	Half Round Track Length Item 289 B3 (ft)
6	3'3"	3'11"	5'4"	7'5"	9'9"
8	3'11"	4'7"	6'8"	9'5"	12'5"
10	4'7"	5'3"	8'	11'5"	15'1"
12	5'3"	5'11"	9'4"	13'5"	17'9"
14	5'11"	6'7"	10'8"	15'5"	20'5"
16	6'7"	7'3"	12'	17'5"	23'1"
18	7'3"	7'11"	13'4"	19'5"	25'9"
20	7'11"	8'7"	14'8"	21'5"	28'5"
22	8'7"	9'3"	16'	23'5"	31'1"
24	9'3"	9'11"	17'4"	25'5"	33'9"
26	9'11"	10'7"	18'8"	27'5"	36'5"
28	10'7"	11'3"	20'	29'5"	39'1"
30	11'3"	11'11"	21'4"	31'5"	41'9"
32	11'11"	12'7"	22'8"	33'5"	44'5"
34	12'7"	13'3"	24'	35'5"	47'1"
36	13'3"	13'11"	25'4"	37'5"	49'9"
38	13'11"	14'7"	26'8"	39'5"	52'5"
40	14'7"	15'3"	28'	41'5"	55'1"

GATE FORMULAS

Gate Leaf Length
L (in) = (A + **2.5**) ÷ 3 + **14**

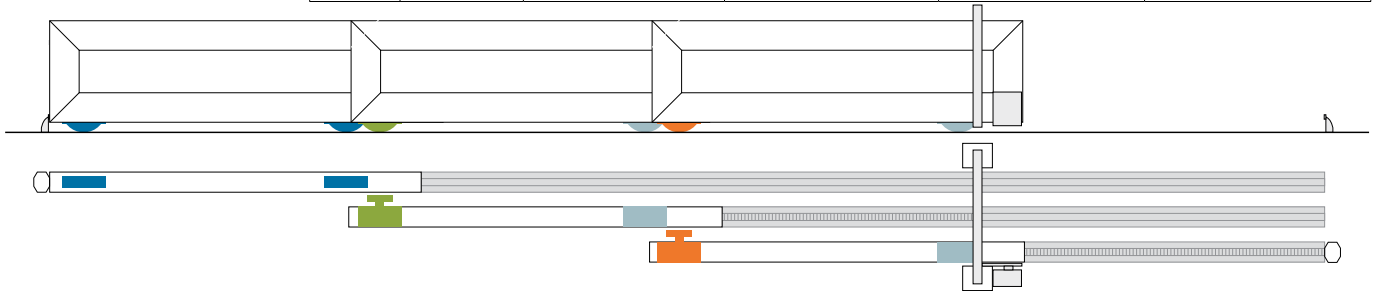
Min Space when Open
G (in) = L + **8**





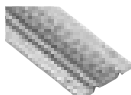
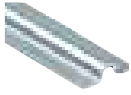



Rack Drive Track Length
B1 (in) = L x 2 - **14**

Rack Drive Track Length
B2 (in) = L x 3 - **28**

Half Round Track Length
B3 (in) = L x 4 - **39**

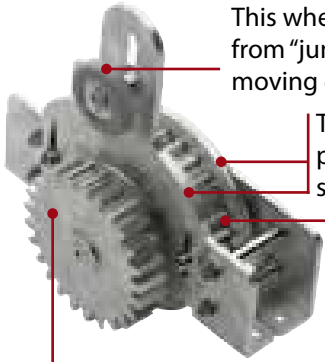
Note: The parameters in **BOLD** in the formulas above are inches.



3 LEAF KIT		Opening Range: 40ft max • Weight: 440lbs per leaf max		
WHEELS	   	RG3-120-50	1 drive wheel 1 drive wheel with low gear ratio 2 free wheels 2 standard wheels with half-round groove	
TRACK		RG-30P		289G-19.68FT / 289G-9.84FT Galvanized Half Round Track Use table above to calculate track needed by adding (B1) and (B2)
RACK		262		291 Connection Pin 
			266 Gear rack connection to screw rack to gate	264 Gear rack connection to weld rack to steel gate (3 connectors are needed per 3'3" section of gear rack)

KIT COMPONENTS

Principal drive wheel for 2 or 3 leaf systems

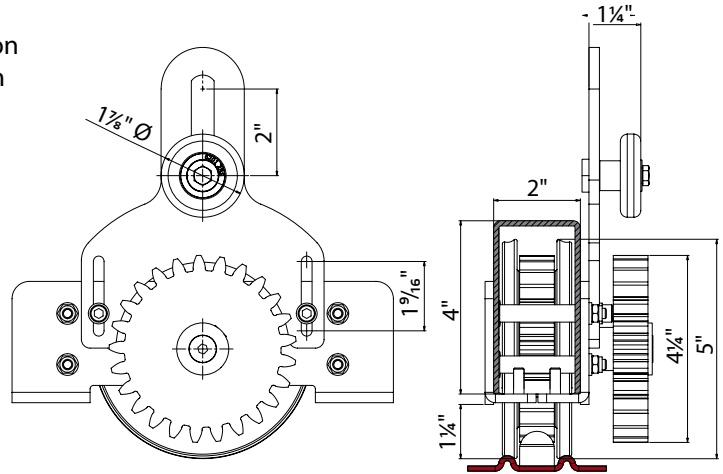


This wheel helps to keep the drive pinion from "jumping" out of the rack rail when moving down the track.

The wheel sits on two external profiles of the rack track for a smoother movement.

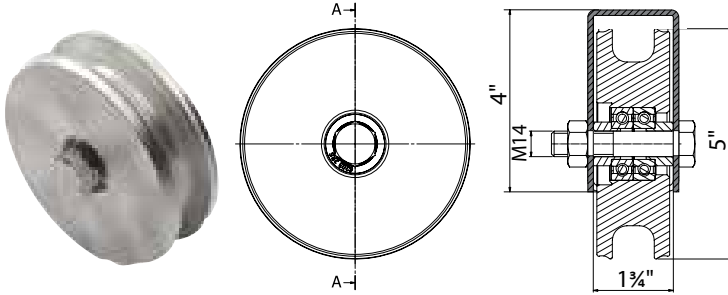
Wheel unit is made up of a principal pinion drive wheel, that when rolling on the rack track, generates the rotation of the external secondary pinion.

The movement via the second external pinion is transmitted to the rack mounted onto the side of the second gate leaf.



Free wheel

The wheel rides on two external profiles of the track for so the gears in the track and pinion do not bind for a smoother movement.

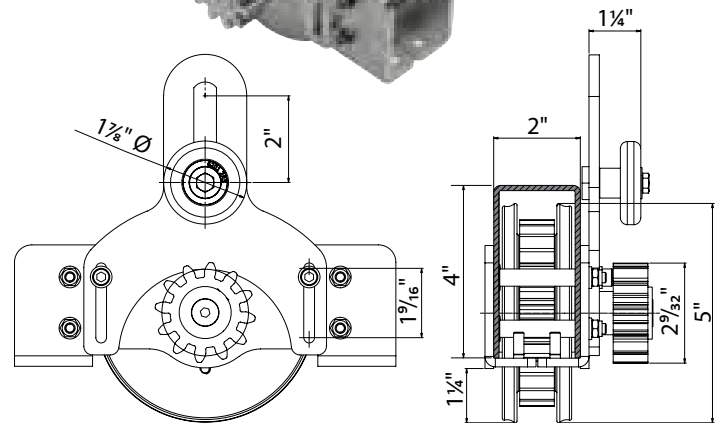
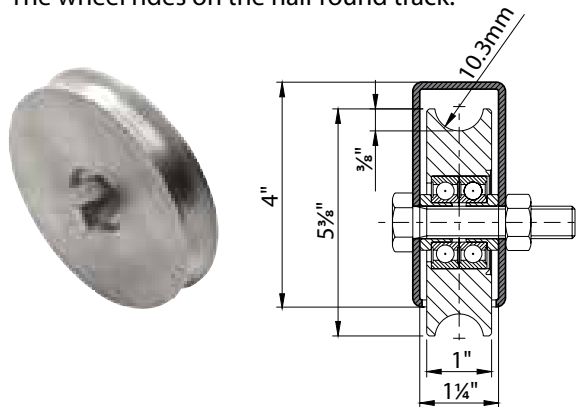


Secondary drive wheel for 3 leaf systems.



Standard wheel with half round groove

The wheel rides on the half round track.



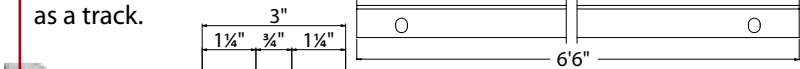
RANGER TELESCOPING SLIDING GATE ACCESSORIES

GROUND TRACK - CONNECTOR PIN - BRUSHES

RG-30P

Galvanized rack track
6'6" sections

Movement is generated by the ground mounted rack that also functions as a track.

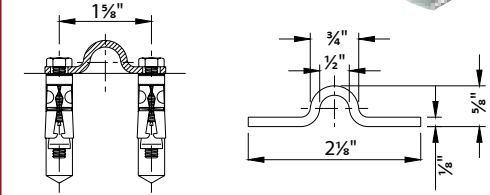


The rack track is equipped with two side guides on which the drive and free wheel sits. This is to ensure that the weight of the gate is not loaded on the rack and/or pinion teeth.

289G-19.68FT

289G-9.84FT

Galvanized half round track



291

Connection Pin



RG-15

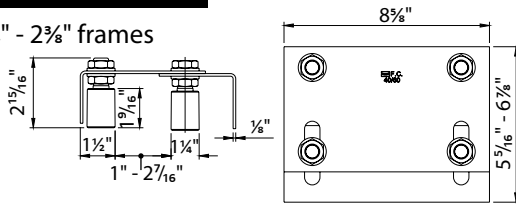
Cleaning Brush, 2 per gate.

To be used with Rack Track (RG-30P)



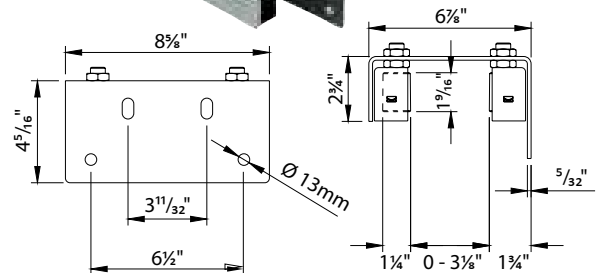
UPPER GUIDES FOR 1ST LEAF

255-220-C - For 1 1/4" - 2 3/8" frames



256-220

For up to - 3 3/8" frames



UPPER GUIDES FOR 2ND & 3RD LEAVES

RG-387-19.68FT

Galvanized 1 1/4" I.D. U-Channel, 19'8"

RG-387-9.84FT

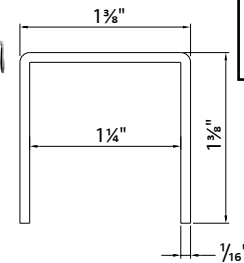
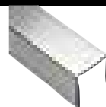
Galvanized 1 1/4" I.D. U-Channel, 9'10"

CG-237-20FT

Aluminum 1 1/4" I.D. U-Channel, 20'

CG-237-10FT

Aluminum 1 1/4" I.D. U-Channel, 10'



RG-254

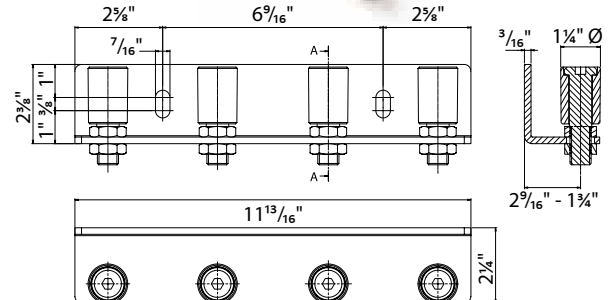
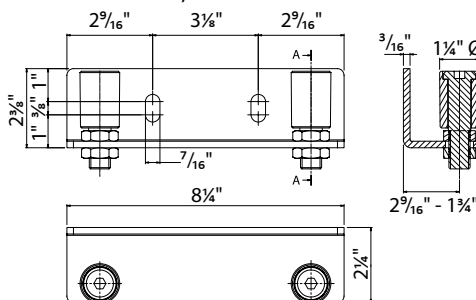
Guide plate for use with U-Channel

Comunello recommends this guide for added stability with changing wind speeds and smoother rolling gates.

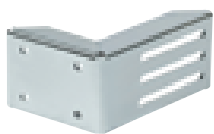


RG-252

Guide plate for use with U-Channel

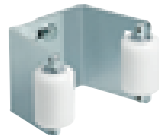


RECEIVER BRACKETS



CG-15M

Adjustable mounting bracket



CG-30M

Gate receiver, 2" - 3" frame



Top cup gate receiver w/shock absorber

199-50 - 2" ID
199-60 - 2 3/8" ID

GATE STOPS



202

Runaway stop
Mounted via screws



202F-A

Damped runaway stop.
Mounted via screws.

ADAPTER



CG-58

Drive Shaft Coupling. Use when connecting a gate operator to the principal drive wheel.

RANGER TELESCOPING SLIDING GATE ACCESSORIES

GATE AUTOMATION SPEED REDUCTION



RG-40
Ranger speed reduction system

Highly recommended for 3 leaf systems

The RG-40 speed reducer cuts the speed of the first panel by 50%, to reduce the speed of 2 or 3 leaf Ranger telescoping gates. The gear box is mounted to the pad and connected directly to the rack on the first leaf. The motor is then coupled using the CG-58 adapter, directly to the speed reduction system drive shaft. Telescoping systems move twice or three times the speed of single gates, so reducing the speed of the leading edge is critical for safety.



RG-45
Electromechanical limit switch

The RG-45 switches replace the limit switches that come with the gate operator. As the gate operator is moved back from the gate by several inches to fit the RG-40, the typical limit switches may not attach or work easily.



Specs:

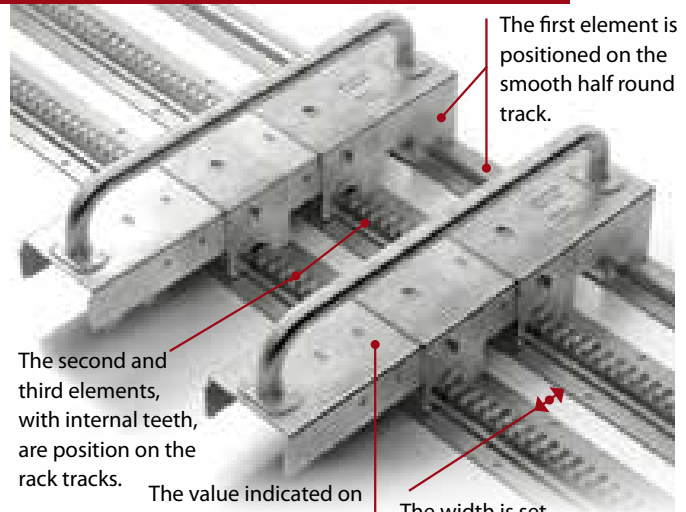
- NC Normally Closed contact
- IP 67 Rated Enclosure
- 12/24V DC

INSTALLATION TOOLS

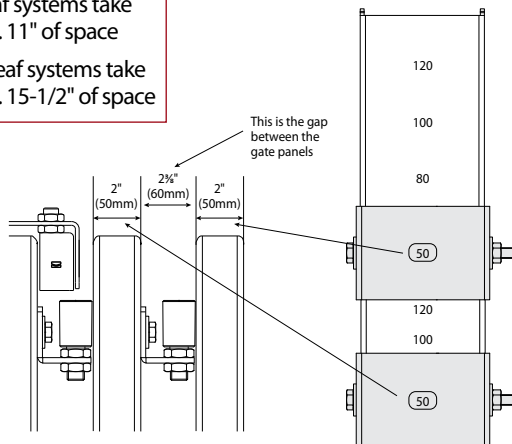
Templates are purchased once and can be reused for subsequent installations.

RG-10
2 template guide kit for Rack Track installation

These alignment guide tools ensure a rapid and precise installation of the rack tracks that make up the 2 and 3 leaf telescoping systems. The smooth half round track (#289) is installed first, and is used as the reference for the proper parallel placement and alignment of the rack tracks. The two alignment guide tools are used to maintain the correct spacing between the tracks, according to the gate frame width value selected on the tools. These guides also ensure that the rack teeth are aligned and in sync when connecting additional rack track sections together.



GATE FOOTPRINT:
Two leaf systems take approx. 11" of space
Three leaf systems take approx. 15-1/2" of space

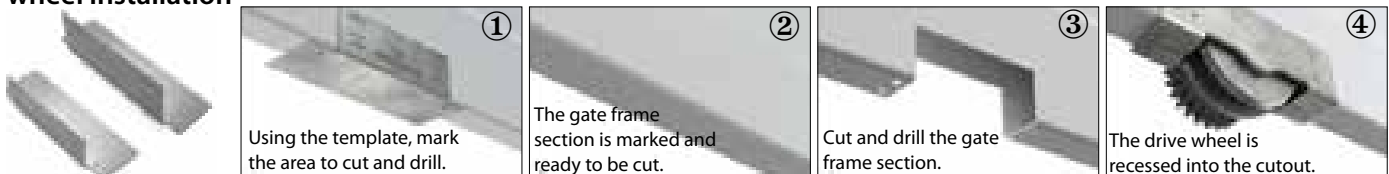


The rack track installation templates are used to ensure a precise and parallel alignment of the ground tracks, and can be width-regulated depending on the profile width of the gate frame tubing used in the construction of the gate. When joining two pieces of rack track, the precise position for the teeth can be achieved using the toothed element of the template guide, positioning it directly on the joint where the two pieces of track meet.



RG-20
2 template kit for wheel installation

Steps for installing the gate wheels in the frame.





**Bi-Folding
Gate Configurator
available at
archirondesign.com**

Albatros

A bi-folding gate system for confined spaces.

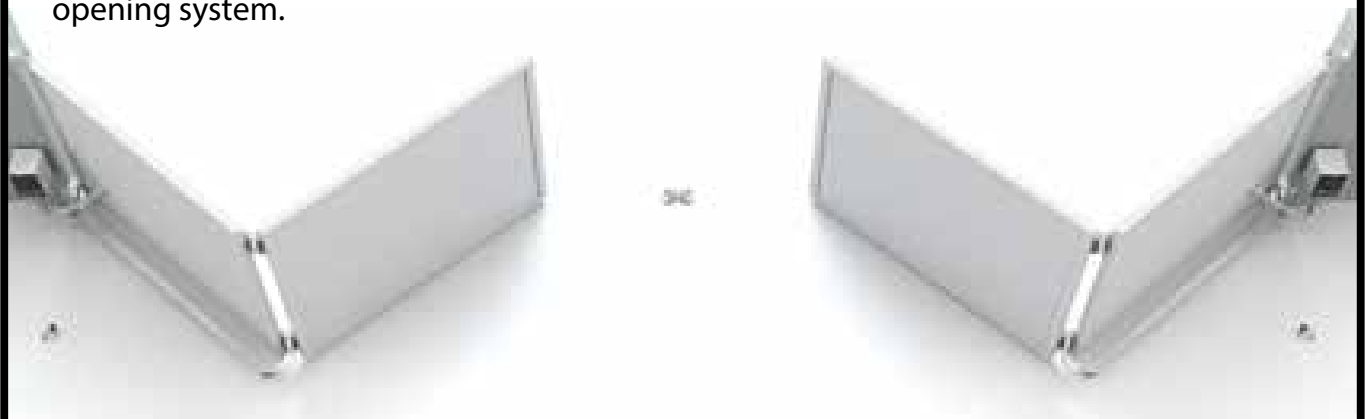
- Bi-folding wide opening swing gate system
- For double gates up to 52ft wide opening
- Geared hinges for smooth opening
- Fold system occupies minimal space for opening and closing
- Trackless obstacle free entranceway
- Space saving design
- Precise and adjustable stop position

Manufactured by
 **COMUNELLO**
LIFE MADE EASY



Watch a video for more information.

With its patented revolutionary geared hinge, the Albatros system offers a stable smooth opening for large bi-folding gates. This high quality system remains totally suspended and therefore trackless, allowing a clean obstacle free entrance and using half the space of a single leaf swing gate. The Albatros power transmission arm is mounted on the hinge post and is connected to the geared hinge between the panels achieving a smooth and reliable opening system.



ALBATROS BI-FOLDING GATE SYSTEM

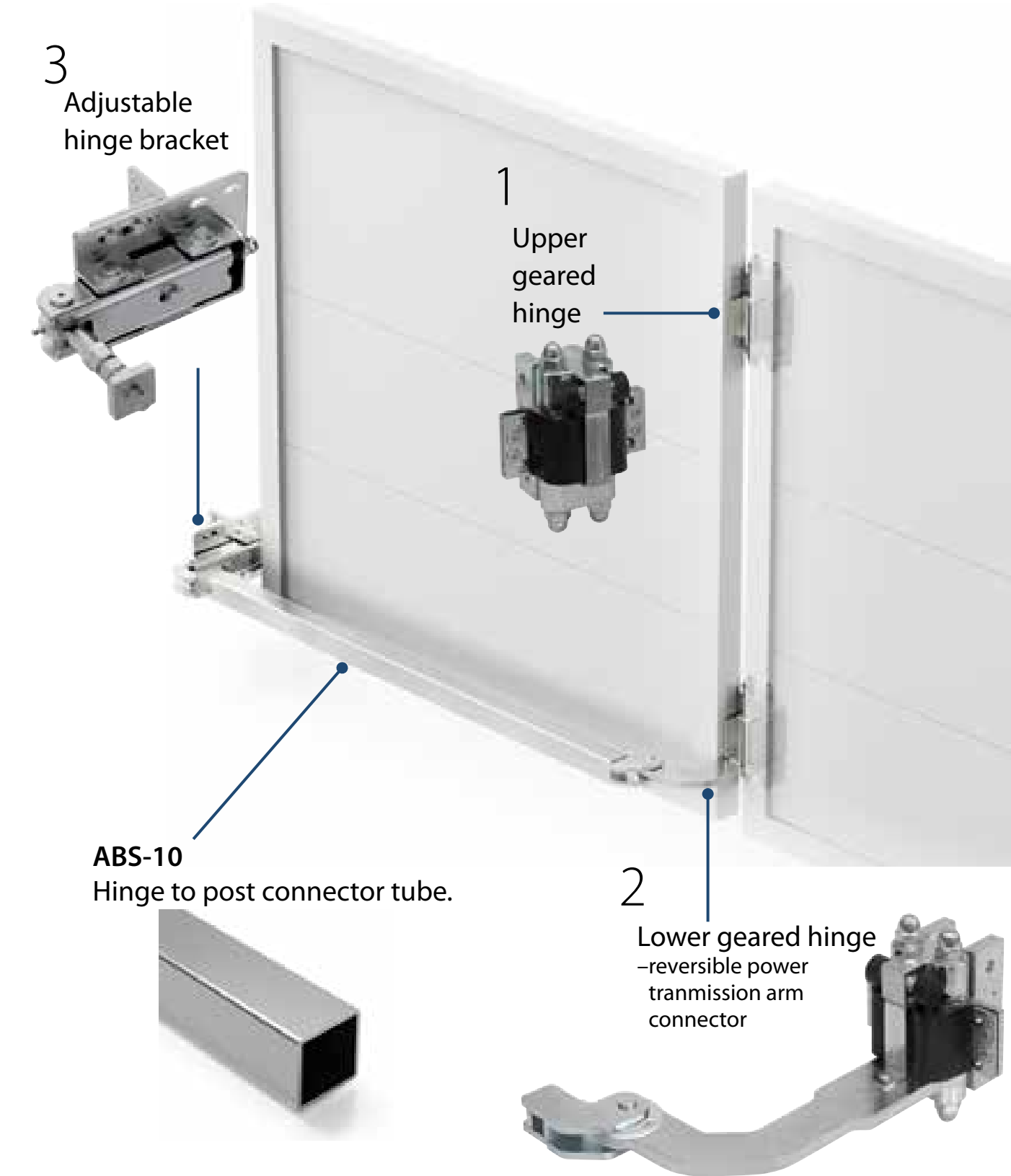
This illustration shows the ABS-100 kit components and the hinge to post connector tube.

3
Adjustable
hinge bracket

1
Upper
geared
hinge

ABS-10
Hinge to post connector tube.

2
Lower geared hinge
-reversible power
transmission arm
connector



ALBATROS BI-FOLDING GATE SYSTEM CONFIGURATOR

Gate application parameters

- A Opening width
- T Gate frame size
- B Hinge Gap
Gate frame size dependent

Gate formulas

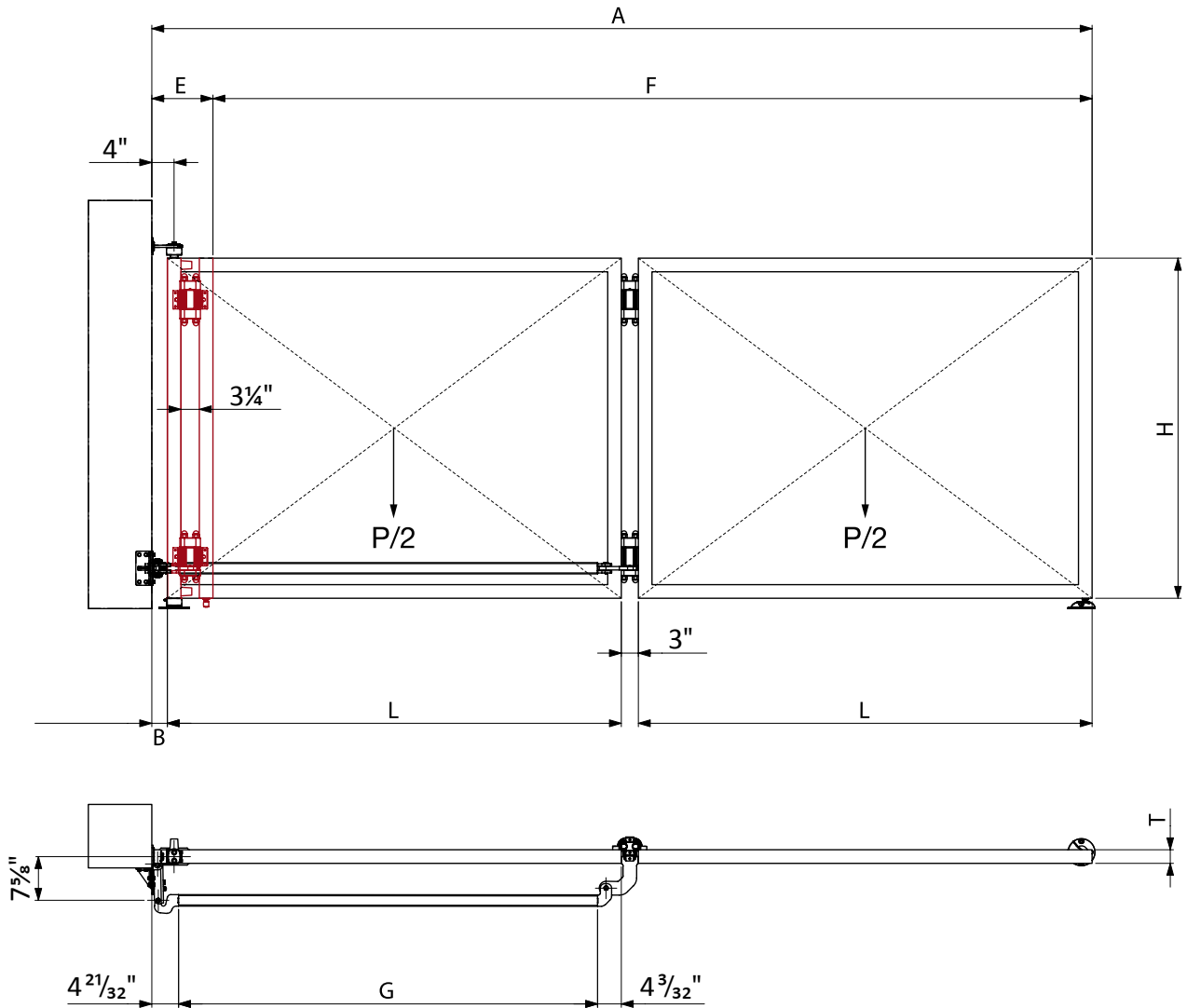
L: Gate leaf width $L(\text{in}) = (A - \mathbf{3} - B) \div 2$

G: Hinge to post connector tube length $G(\text{in}) = L - \mathbf{8.75} + B$

E: Gate width in open position $E(\text{in}) = (2 \times T) + B + \mathbf{3.2}$

F: Net opening size $F(\text{ft}) = A - E$

NOTE: The parameters in **BOLD** in the formulas above are inches.



Example

12' Gate Opening (A) with 3" Hinge Gap (B) and 2" Gate Frame Size (T)

L: $(144" - 3" - 3") \div 2 = 69"$ or 5'9"

G: $69" - 8.75" + 3" = 63.25"$ or 5'3 3/4"

E: $(2 \times 2") + 3" + 3.2" = 10.2"$

F: $144" - 10.2" = 133.8" = 11'1"$

ALBATROS BI-FOLDING GATE SYSTEM HINGES

MAXIMUM GATE WEIGHT CALCULATION

Hinge weight capacity depends on the width of the gate and the height of the gate. Albatros requires an opening width to height of 3 to 1 or less. Use tables below to determine the max weight "P" for the gate. Note each leaf max weight is P/2.

Example:

12' wide opening x 4' high
 $12' \div 4' = 3$

Gate max weight (P) = 440 lbs.
 Leaf max weight (P/2) = 220 lbs.

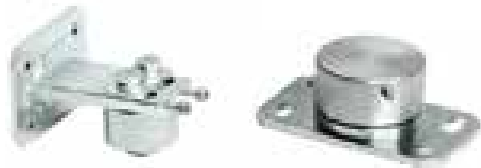
Example:

12' wide opening x 6' high
 $12' \div 6' = 2$

Gate max weight (P) = 710 lbs.
 Leaf max weight (P/2) = 355 lbs.

GROUND MOUNT – SCREW ON HINGE SET

3/16" thick mounting bracket
 2-11/16" Hinge diameter
 9/16" Gap adjustment
 Maximum Capacity 1100 lbs
 Sealed Bearings

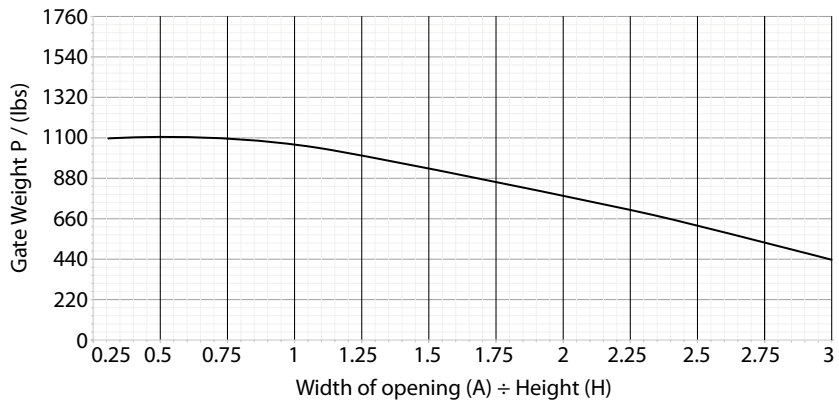


85PST-G

Adjustable upper hinge with plate to be screwed on

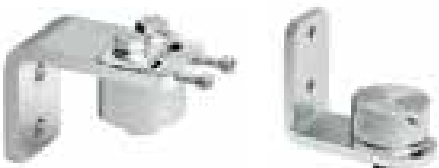
87PST-G

Bottom hinge with thrust bearing and plate to be screwed on



POST MOUNT – SCREW ON HINGE SET

3/8" thick mounting bracket
 2-11/16" Hinge diameter
 9/16" Gap adjustment
 Maximum Capacity 1100 lbs
 Sealed Bearings

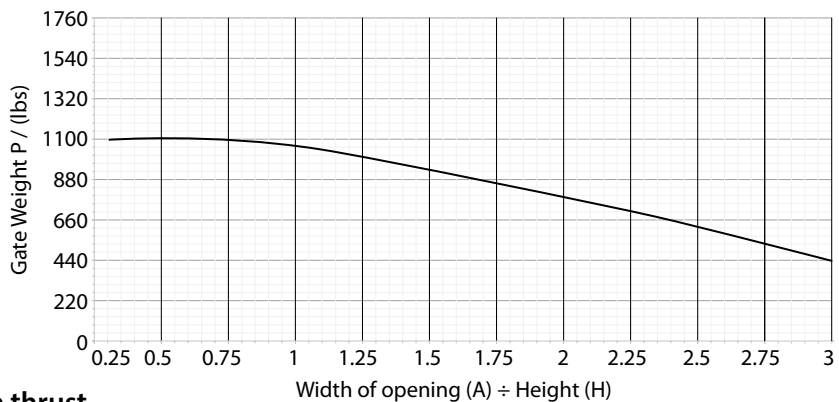


85L-G

Adjustable upper hinge with L-Bracket

87L-G

Bottom hinge with thrust bearing and L-Bracket



GROUND MOUNT – WELD ON HINGE SET

3/8" thick mounting bracket
 2-11/16" Hinge diameter
 9/16" Gap adjustment
 Maximum Capacity 1400 lbs
 Sealed Bearings

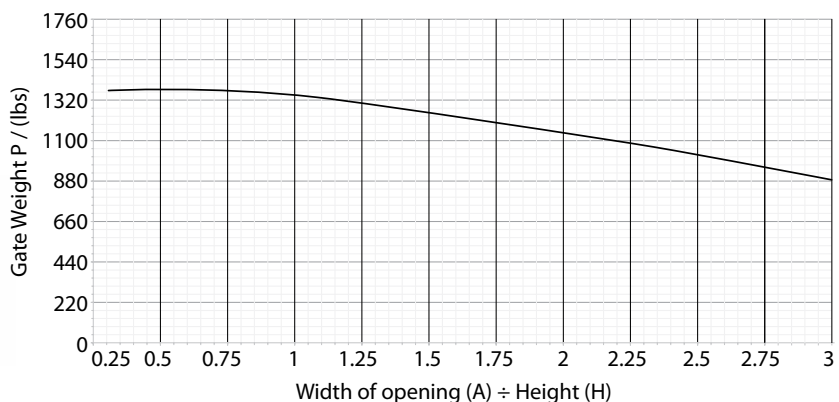


85G

Adjustable upper hinge with plate to be welded

87G

Bottom hinge with thrust bearing to be welded

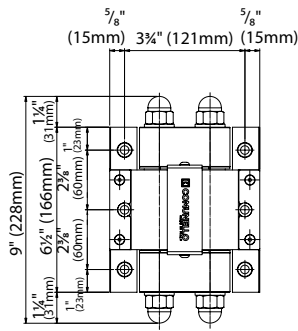


ALBATROS BI-FOLDING GATE SYSTEM

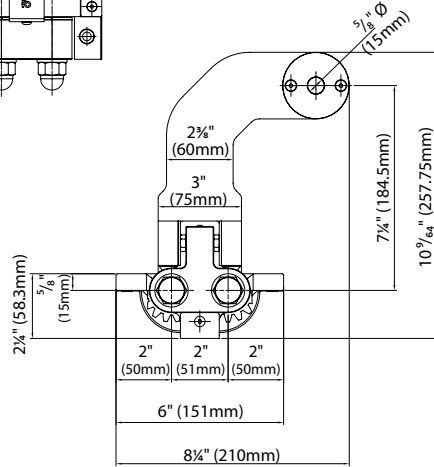
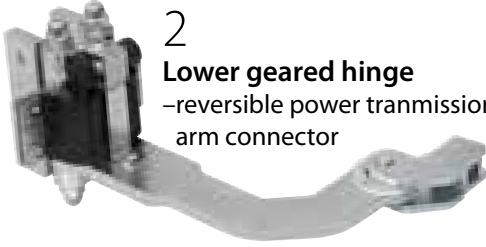
ABS-100G

Kit components

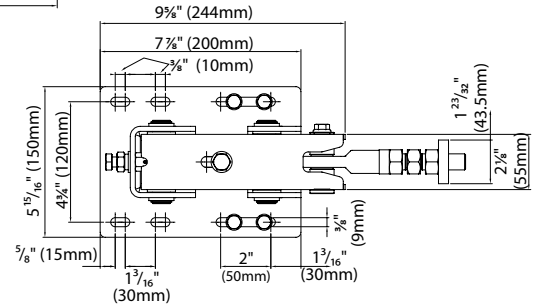
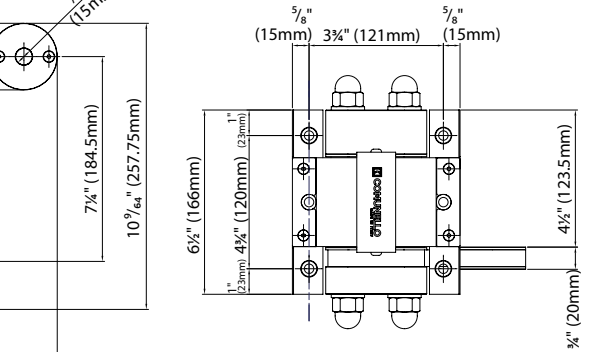
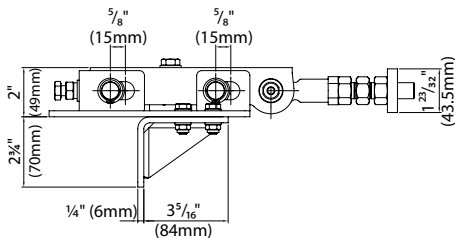
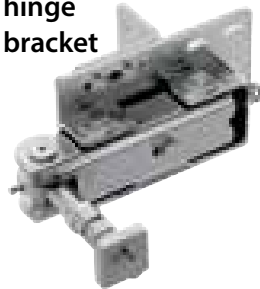
1
Upper geared hinge



2
Lower geared hinge
-reversible power transmission
arm connector



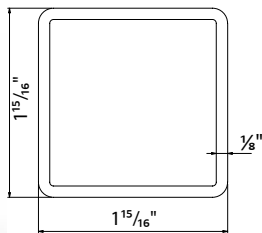
3
Adjustable hinge
bracket



ACCESSORIES

ABS-10G

Hinge to post connector tube
9'10" lengths



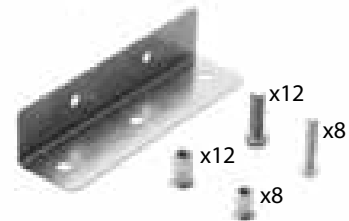
ABS-15G

LEFT and RIGHT
ground strike plate
6-1/4" dia. (160mm) wide,
1-1/8" (28mm) high

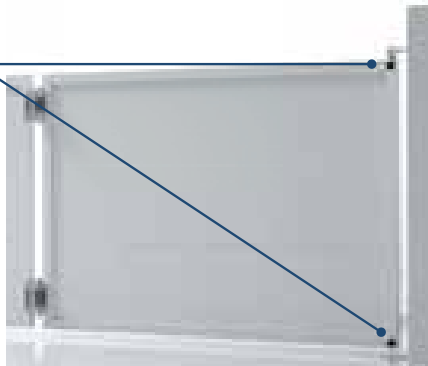


ABS-20G

Drilling template with
rivets and screws



239
Gate leaf
stopper



202

Gate stop, Mounted
with screws



ALBATROS BI-FOLDING GATE SYSTEM HINGES



A California homeowner wanted a gate across their driveway so a Bi-folding gate was chosen. The driveway was narrow so there was no room for a standard swing gate or a sliding gate. **West Coast Gates & Entry Systems** recommended the Albatros Bi-Folding gate system that is made by Comunello. Instead of the gate swinging open, the gate simply folds in half allowing plenty of room for a vehicle to pass by and enter the garage.

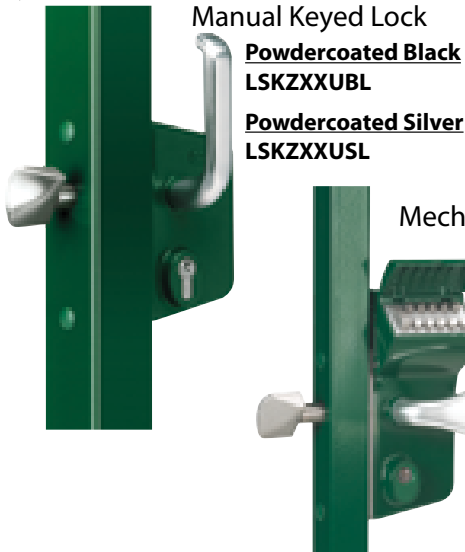


Black Security Products installed this bi-folding swing gate at an airport entry point. This gate system was perfect since there was no room for a regular swing or sliding gate.

The photo to the left shows how compact the gate folds together.

SLIDING GATE LOCKS

Slide gate lock for manual sliding gates with aluminum housing and stainless steel mechanism. Catch bolts are available to fit gate frame profiles from 1-1/2" to 4" wide. Works with cantilever gate systems or fixed roller systems.



Integrated electro magnetic lock, the S-MAG, is the perfect product to lock any type of sliding gate. It has a guaranteed 600 lbs of pulling force and resists extreme weather conditions.

S-MAG-2500-ZILV - Silver
S-MAG-2500-9005 - Black
 For mounting on square posts and gate profiles of 1-1/2" to 3-1/8", 600 lbs. pulling force



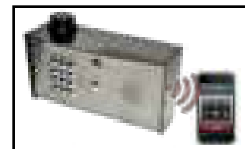
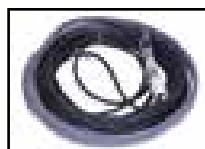
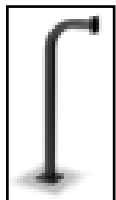
GATE AUTOMATION

We offer a full range of gate openers that are perfect for residential, commercial and industrial applications.



Our selection of access control devices, driveway loops, safety edges and photocells will work along side your operator to ensure a properly functioning gate.

Let us help you configure your project today. For more information call **908-757-2323** or visit **www.archirondesign.com** to get started.





Designing Sliding Cantilevered Gates

Take a FREE online course at AEC Daily about DuraGates cantilever sliding gate hardware.

This course outlines the hardware advantages, how the gates are built, designed and operated and discusses what makes these gates safe and visually appealing.

Take the course* on the AEC Daily website.



**Course is approved by AIA, HSW, LACES, RCEP and for all Canadian Provinces.*

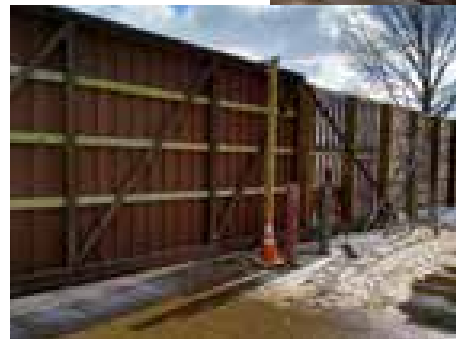
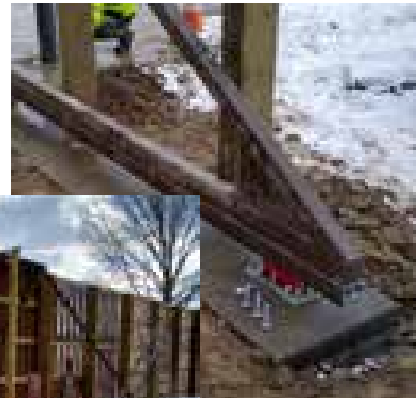


2E Easy Street
Bound Brook, NJ 08805
www.archirondesign.com



These double cantilever sliding gates were the perfect addition to this driveway in Ontario, Canada. The client wanted to have a decorative arched top and this was possible with DuraGates Hardware. This gate hardware offers an option of a U-Channel that would be incorporated into the design of the gate. The guide roller would tuck nicely into this channel making any roller invisible to the eye.

This Ohio company was looking for a way to secure their construction yard. They chose the DuraGates Integrator Model CGS-500.8P since the gear rack and drive pinion are not exposed on the outside of the gate. The gear rack is conveniently installed inside the track and the drive pinion comes installed inside the carriage.



This private home in Hawaii had no room for an ordinary slide gate or swing gate. This aluminum gate was fabricated to work with the Ranger telescoping gate system. This 3 leaf gate slides nicely behind the brick wall, completely out of sight.

