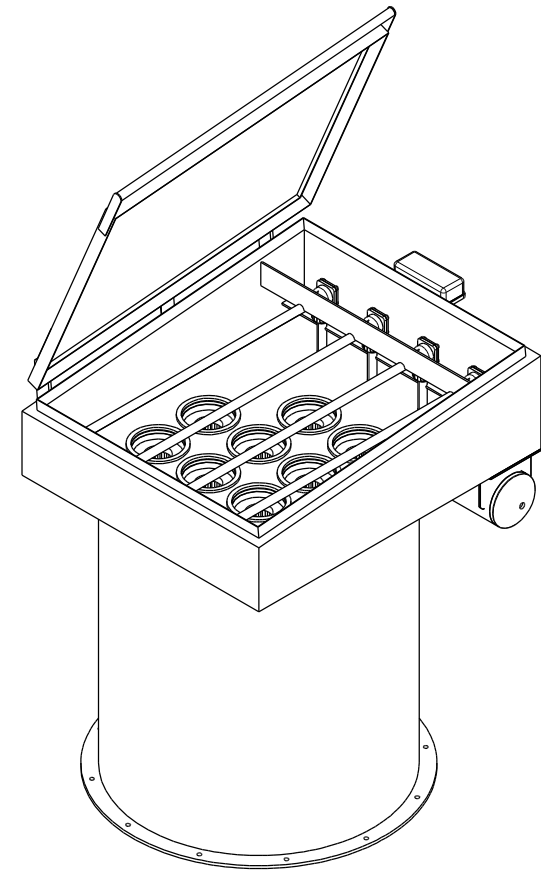
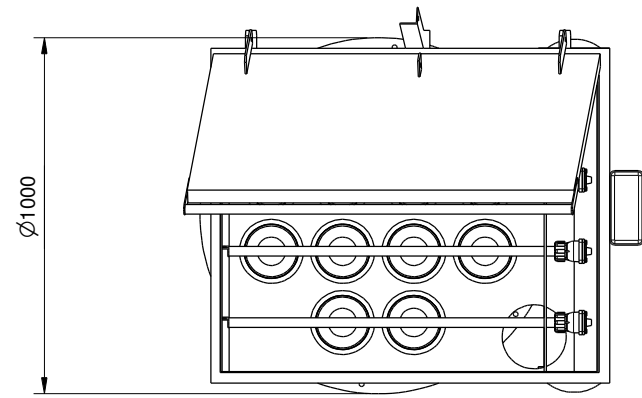
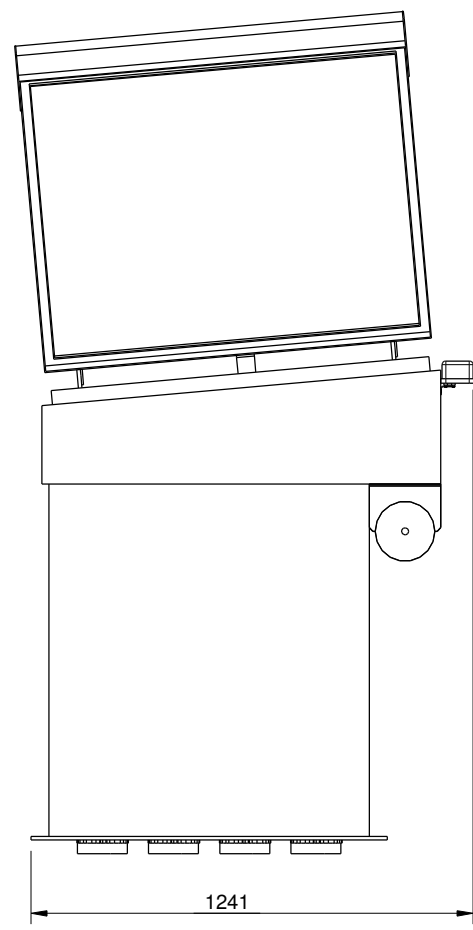
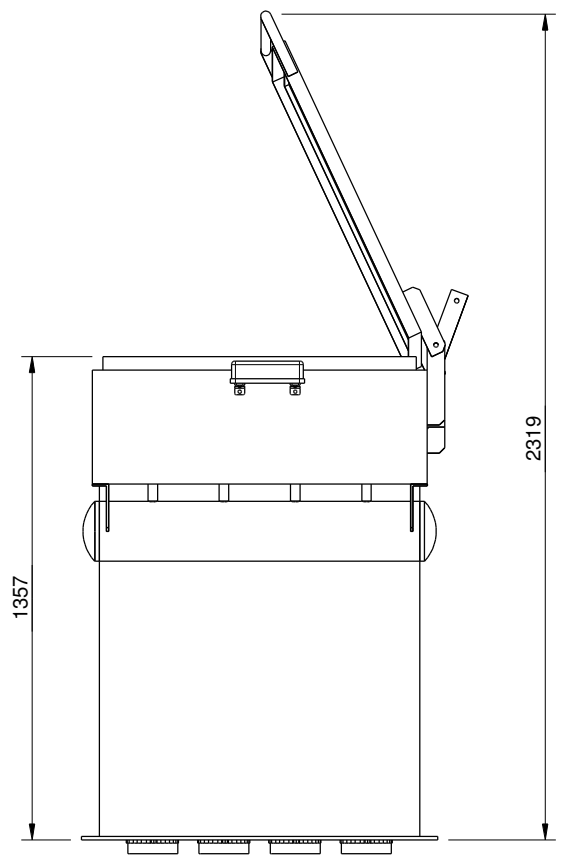


1 2 3 4 5 6 7 8

RevNo	Revision note	Date	Signature	Checked
-------	---------------	------	-----------	---------

A  
B  
C  
D  
E  
F

A  
B  
C  
D  
E  
F



Itemref	Quantity	Title/Name, designation, material, dimension etc			Article No./Reference	
Drawn by	Checked by	Approved by - date	File name	Date	Scale	
<b>BV12 Bag Silo Vent</b>					Edition	Sheet

1 2 3 4 5 6 7 8