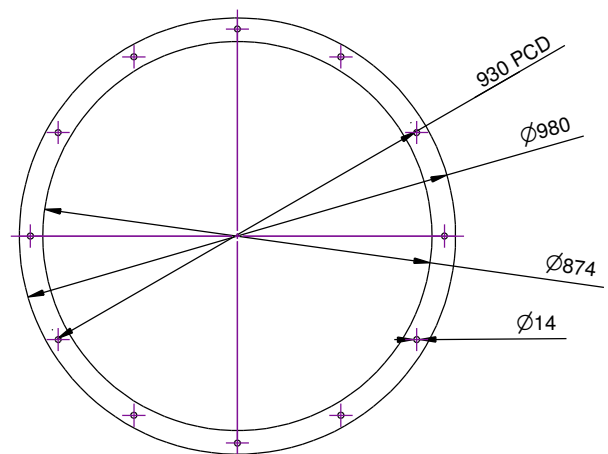
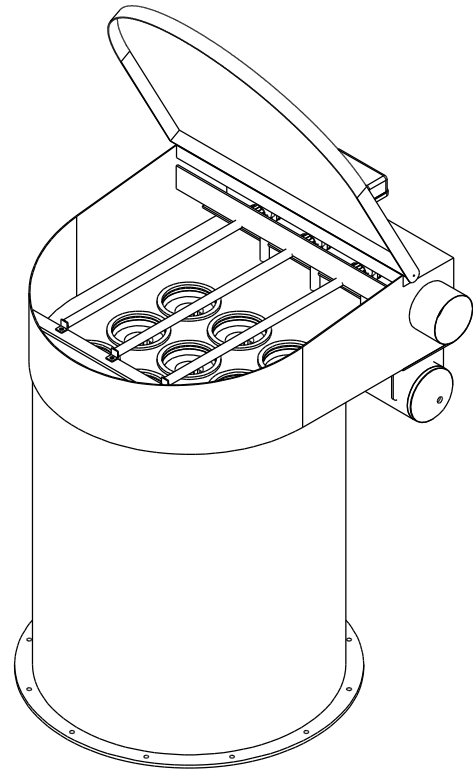
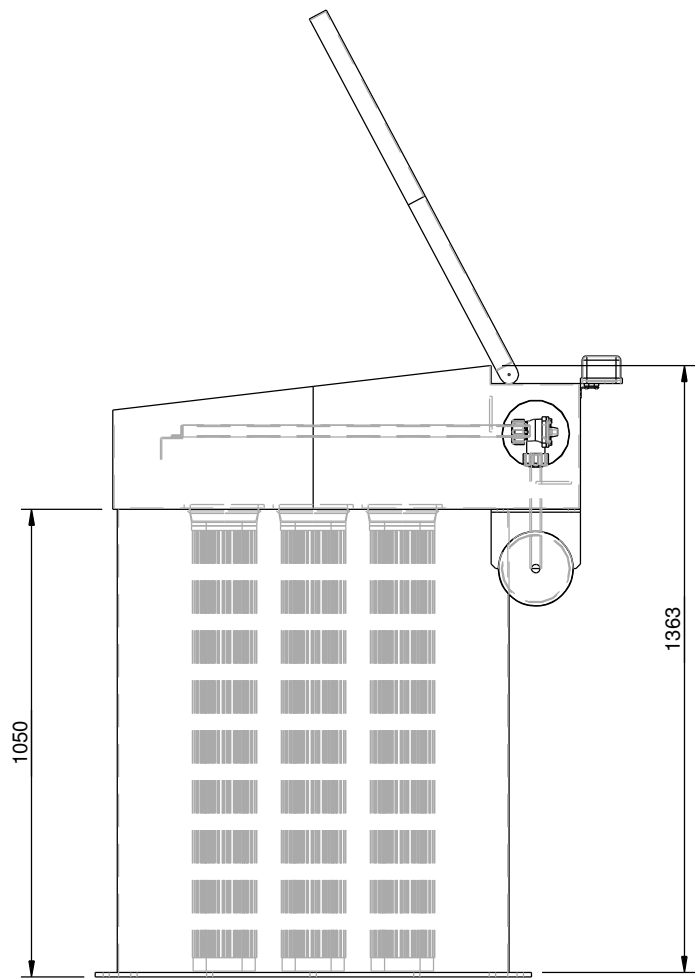


RevNo	Revision note	Date	Signature	Checked
-------	---------------	------	-----------	---------

A  
B  
C  
D  
E  
F



Itemref	Quantity	Title/Name, designation, material, dimension etc		Article No./Reference	
Drawn by Andre	Checked by	Approved by - date	File name	Date 19/10/10	Scale
<b>Bin Vent Dust Collector Model BV 9</b>					
			Edition	Sheet	