



Specifications and technical data are subject to change without notice.
Please contact to confirm relevant information on ordering.

📍 No.18, Gutang Rd, Shanghai 201209, China
 ☎️ +86 21 5032 0898
 📠 +86 21 5032 0828
 ✉️ info@ebasee.com
 🌐 www.ebasee.com



Copy right reserved EBS. NO.2021001

Ebasee
Smart Living Green Ebasee



MODULAR TERMINAL



COMPANY PROFILE

As a leading supplier in the low voltage electrics industry, Shanghai Ebasee Electric Co., Ltd. products have been used for residential, commercial and industrial applications with its quality and service. EBASEE brand is recognized for its quality and reliability in an ever-increasing number of markets worldwide. So far EBASEE products have been approved by international labs including BV, TUV, Intertek, with KEMA, CB, SEMKO, RoHS, CE, and CCC etc.

With qualified raw materials and components supply, all products are manufactured by EBASEE's defined international specifications. We have 4 semi-auto production lines, up-to-date quality control facilities, well-trained and experienced workers. Moreover, with a technical R & D team and fully equipped in-house laboratory, EBASEE factory can carry out efficient new products development, daily production and QC.

EBASEE have a wide range of cooperations with world leading companies in new products development, OEM and ODM cooperation. Meanwhile, we process the idea of green and smart energy, working with universities such as Xi'an Jiao Tong University to get more intelligent and environmental electric solutions.

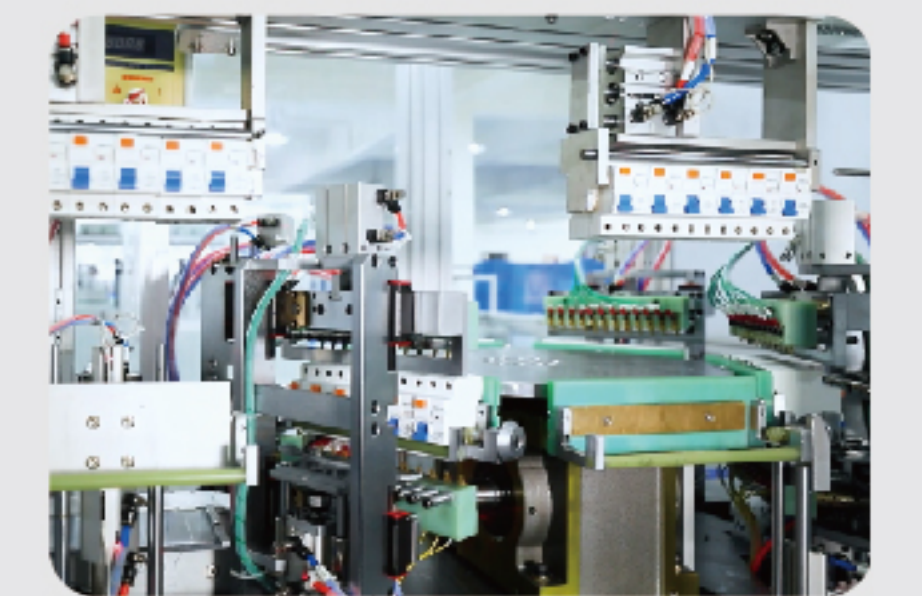
EBASEE focused on achieving growth through the success of worldwide partners. Guided by the philosophy of "market-oriented", powered by the idea of "Quick response and flexible supply", EBASEE support our worldwide partners to compete against established global players, to deliver the most systematic and cost-effective products and service in the market.

"Smart life, Green EBASEE"



Quality is our culture!

PRODUCTION LINE

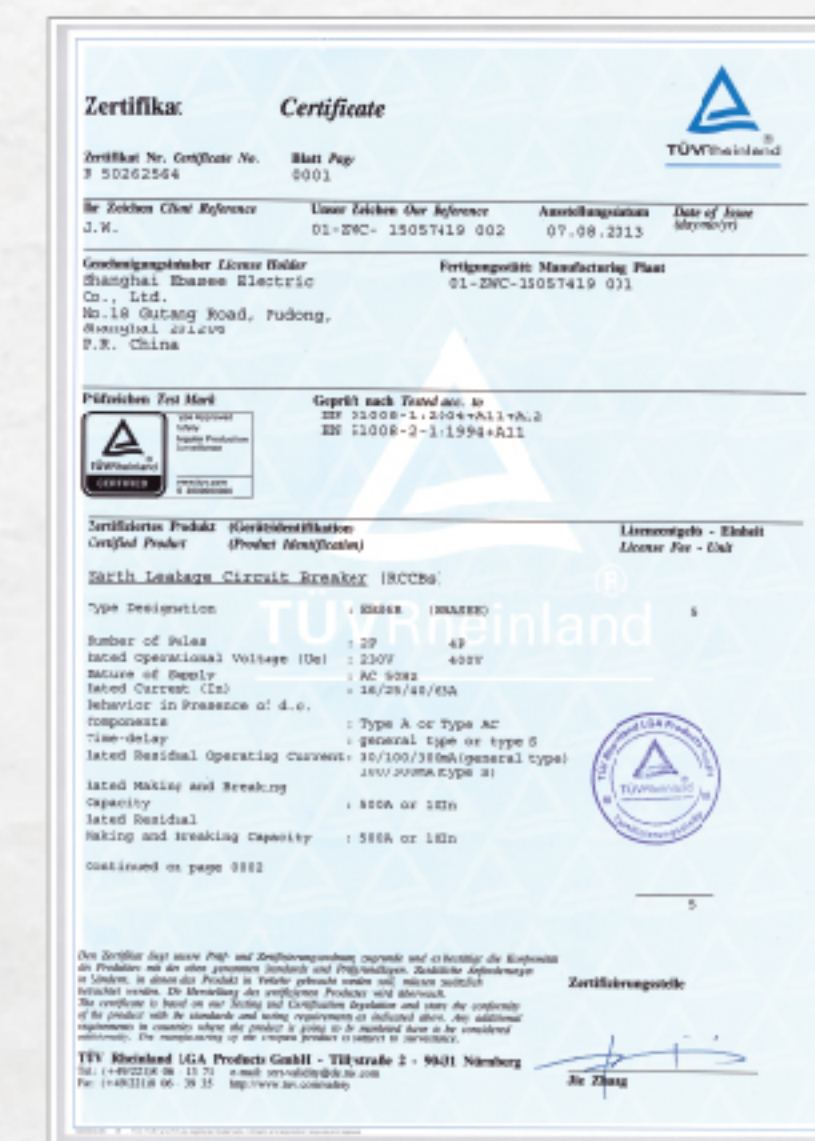
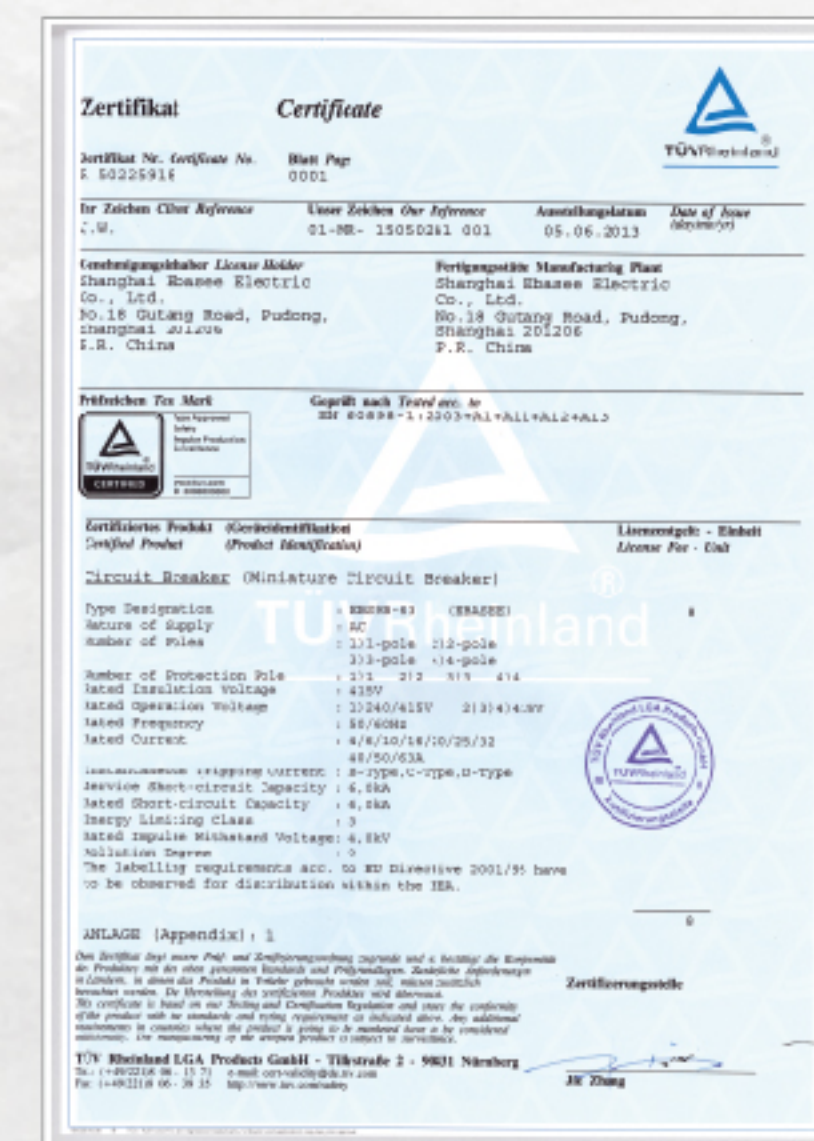
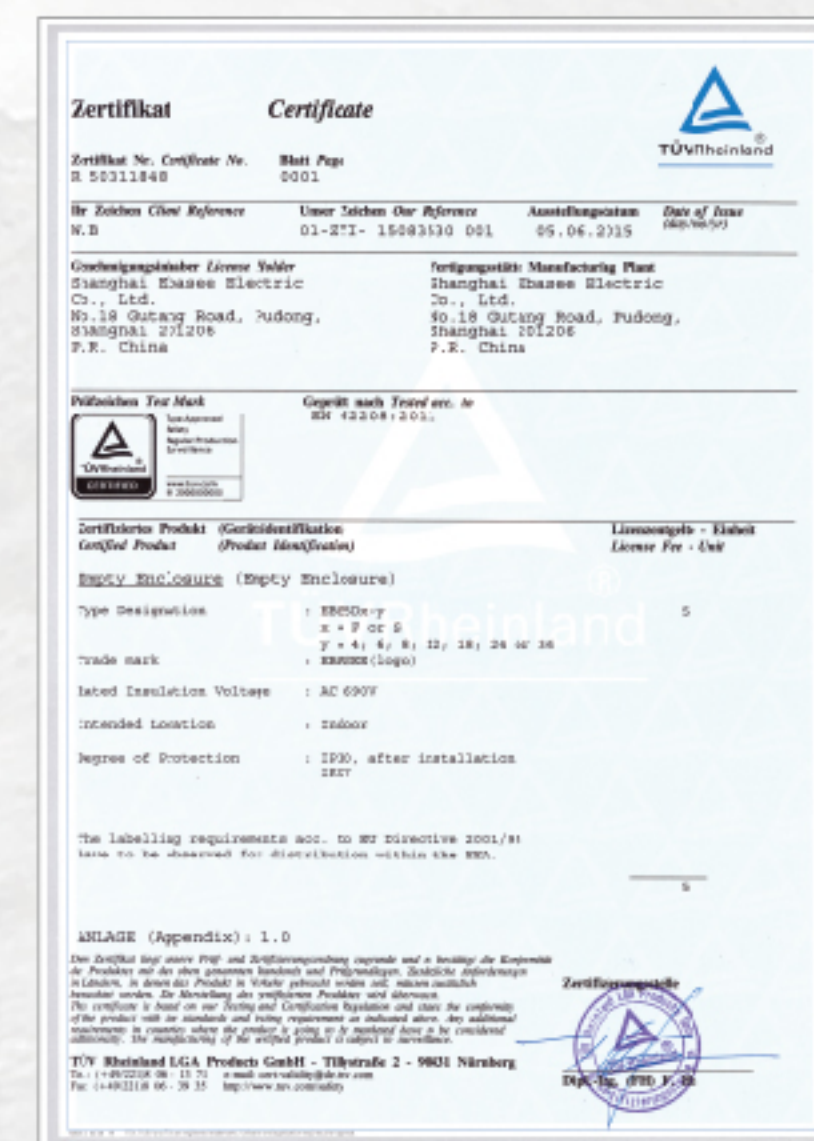
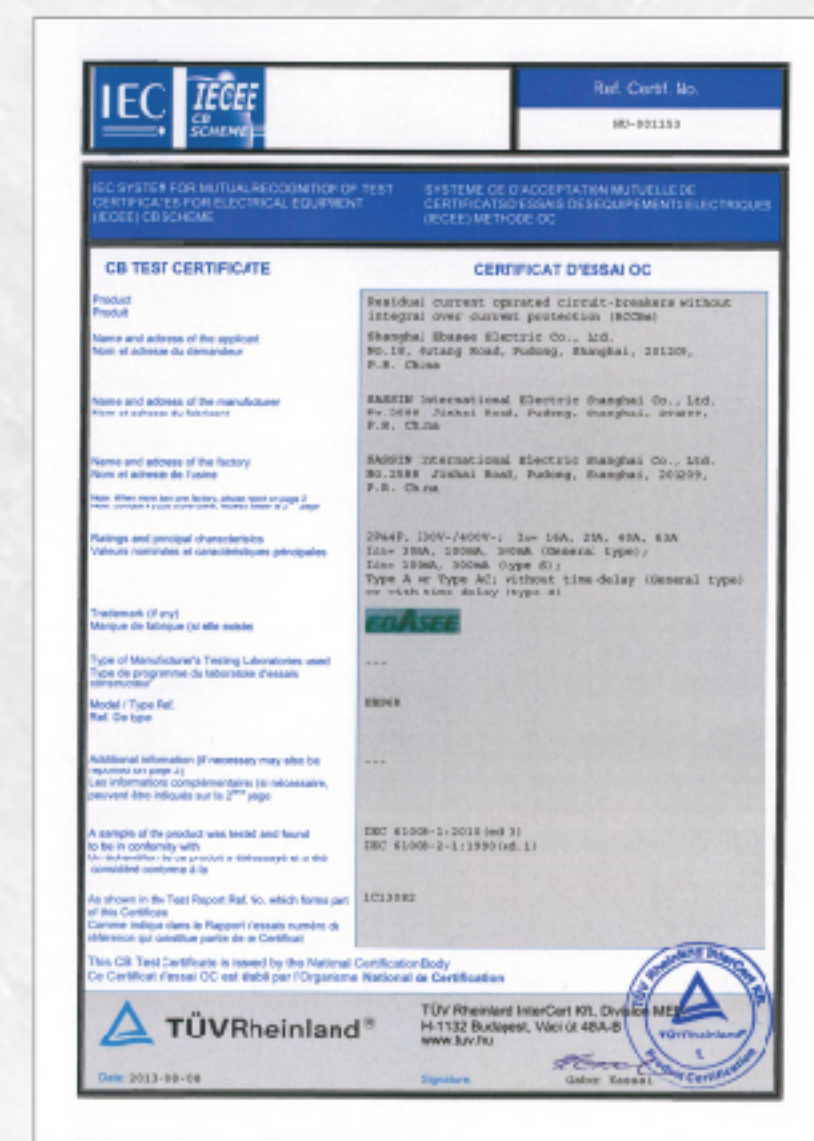
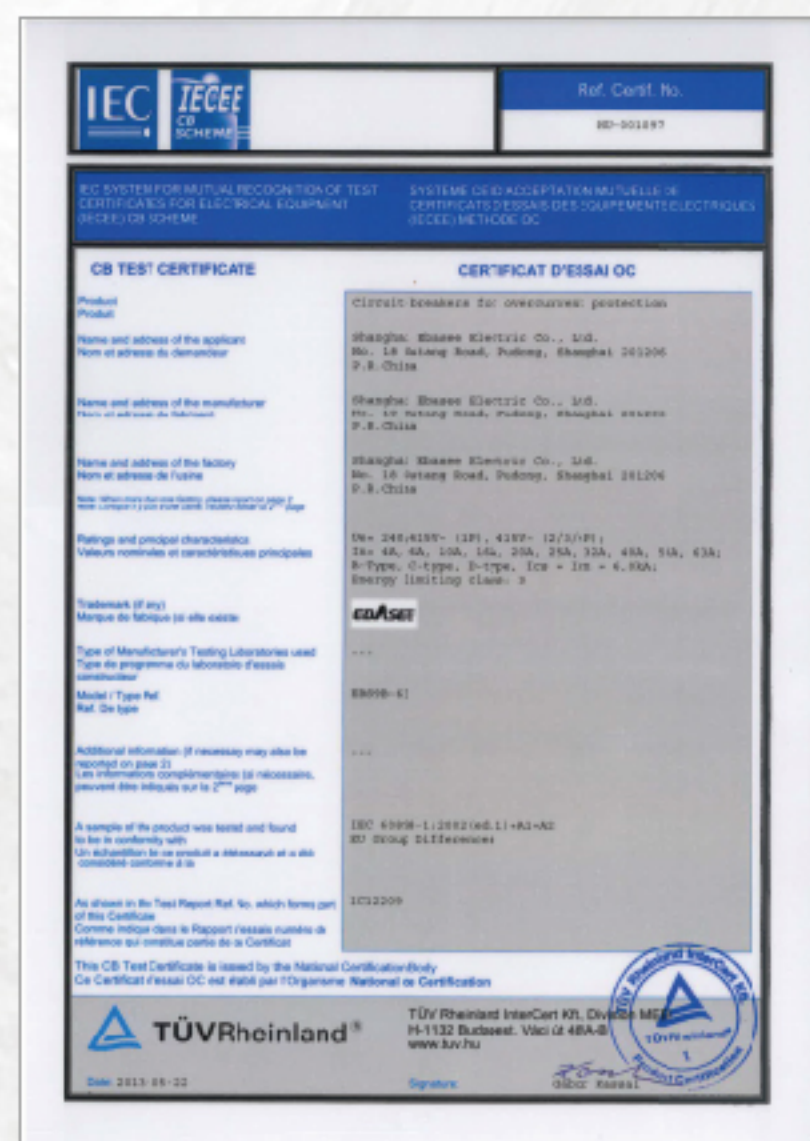
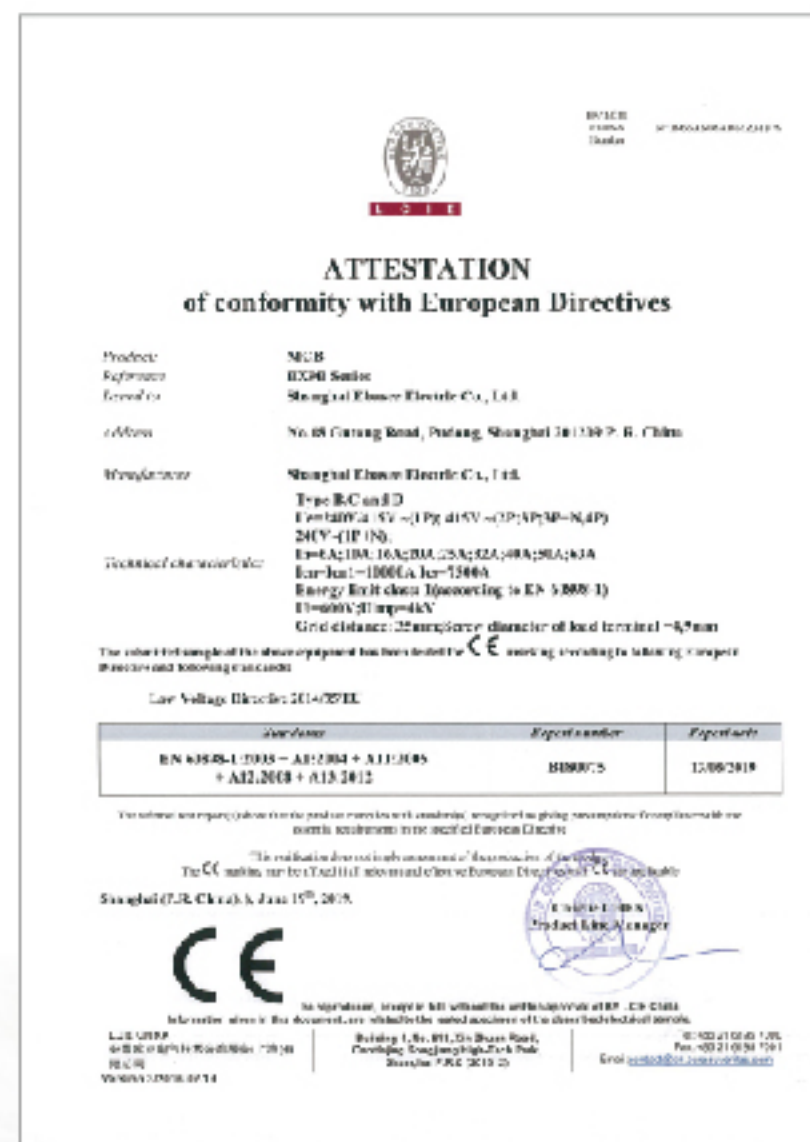


SMART LIVING GREEN EBASEE



INTERNATIONAL QUALITY CERTIFICATE

EBASEE products have been approved by international labs including BV, TUV, Intertek, with KEMA, CB, SEMKO, RoHS, CE, and CCC etc.

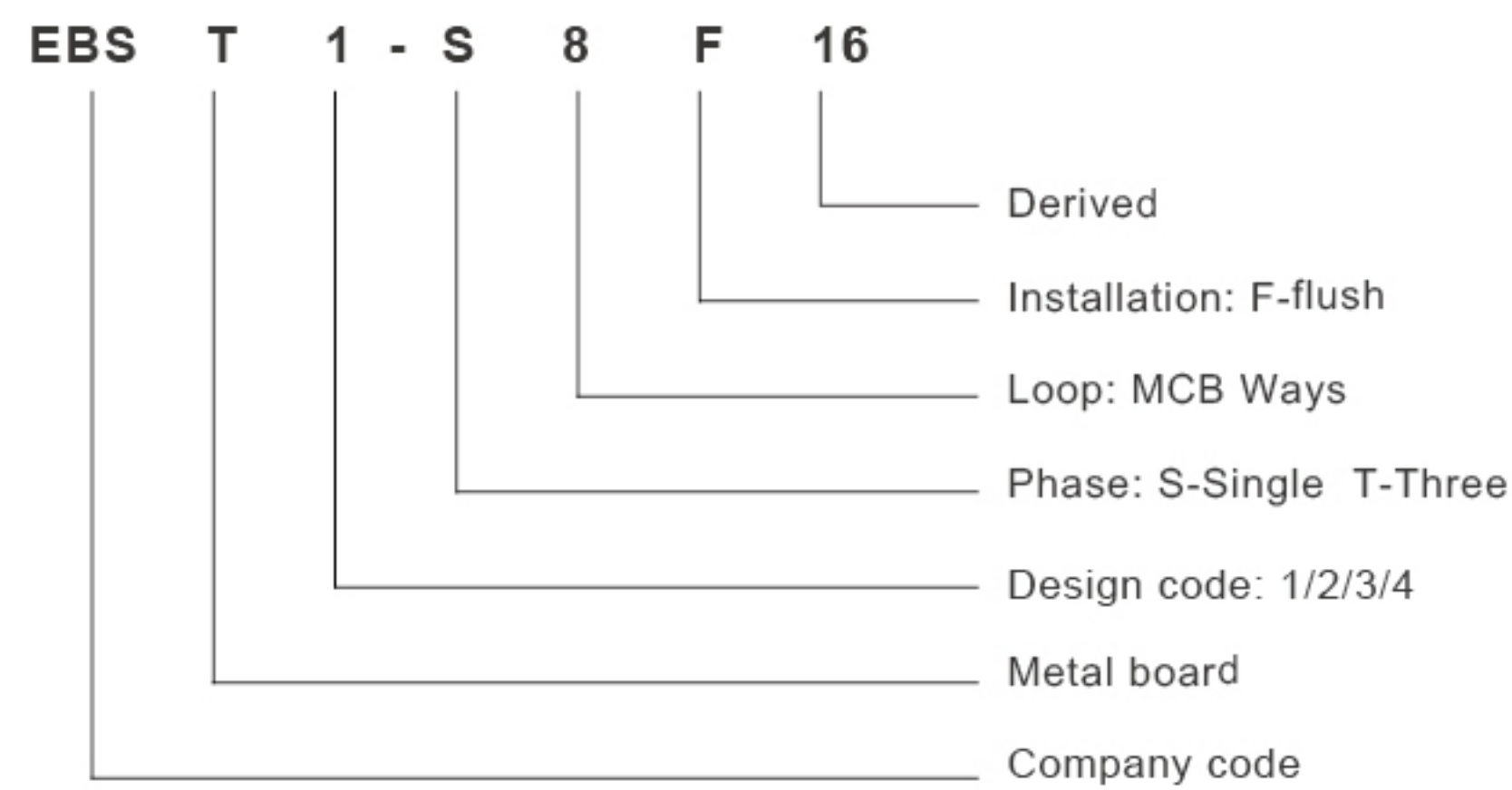


1.Function

The EBST distribution boards are available with a fixed load or split load pan assembly. They have a fully flush fitted metal door with a "slam" type catch. All boards are delivered with both Neutral and Earth bars fitted and the neutral is designed to wrap around the incoming device to ensure that extra wiring space is available for the outgoing devices.

The incoming device must be selected and fitted by the installer. The top and bottom gland plates are removable and also include knock-outs to suit standard size conduits. The pan assembly is fully shrouded and the busbars are one piece in design, this ensures that no "hot spots" can occur as there are no mechanical joints.

2.Nomenclature

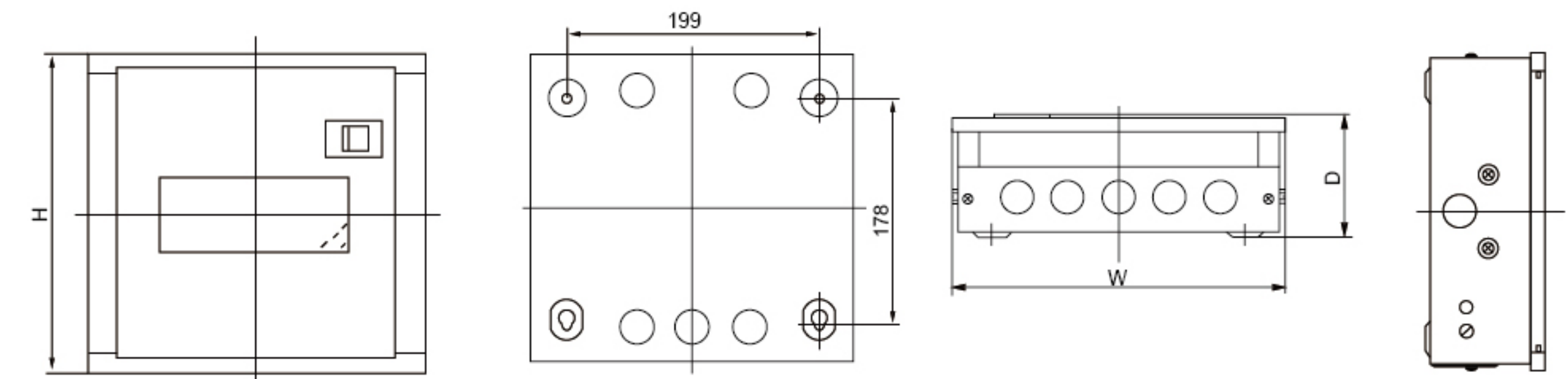


3.EBST Metal Distribution Board

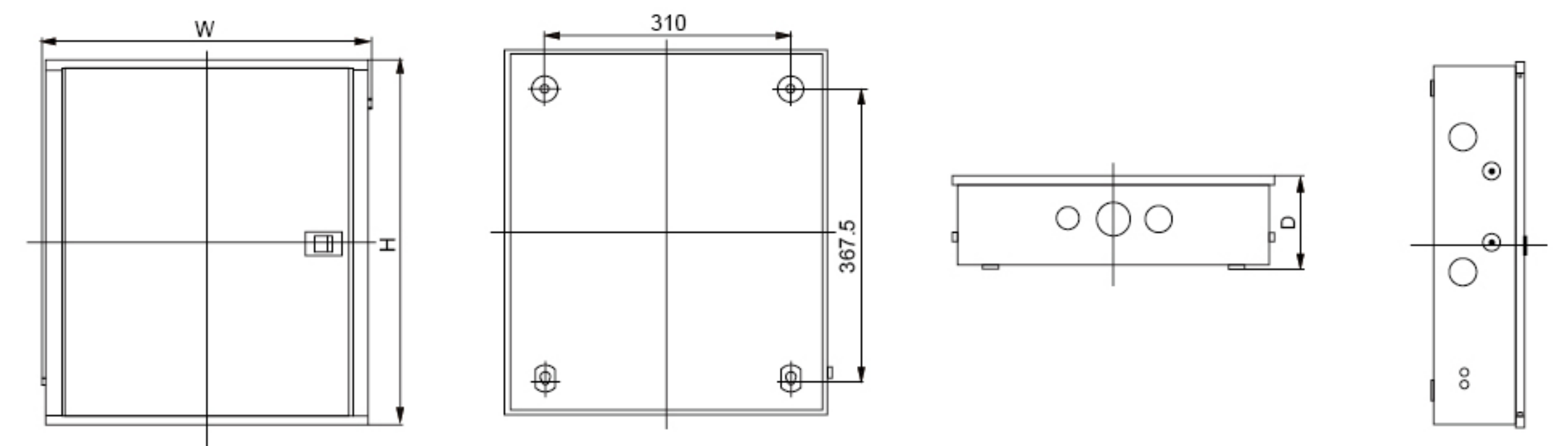
- Installation: Flush type
- Rows: 1-3
- Non-transparent door: Opened angle can be up to 120°
- Material
 - Metal surface: 1.2mm thickness cold-roll steel plate, with infolding design.
 - Metal Body: 1.2mm thickness cold-roll steel plate, with electrostatic spraying technology treatment, features of excellent corrosion resistance.
- Neutral/grounding terminals: cross-head screw
- Protection grade: IP40
- Standard: The products comply with BS/EN 61439-1

4.EBST1 Specifications & Dimensions

EBST1 Series single phase	Model	No. of ways	Dimensions		
			W(mm)	H(mm)	D(mm)
	EBST1-S4	4ways	214	238	85
	EBST1-S6	6ways	250	238	85
	EBST1-S8	8ways	286	238	85
	EBST1-S12	12ways	358	238	85
	EBST1-S14	14ways	394	238	85

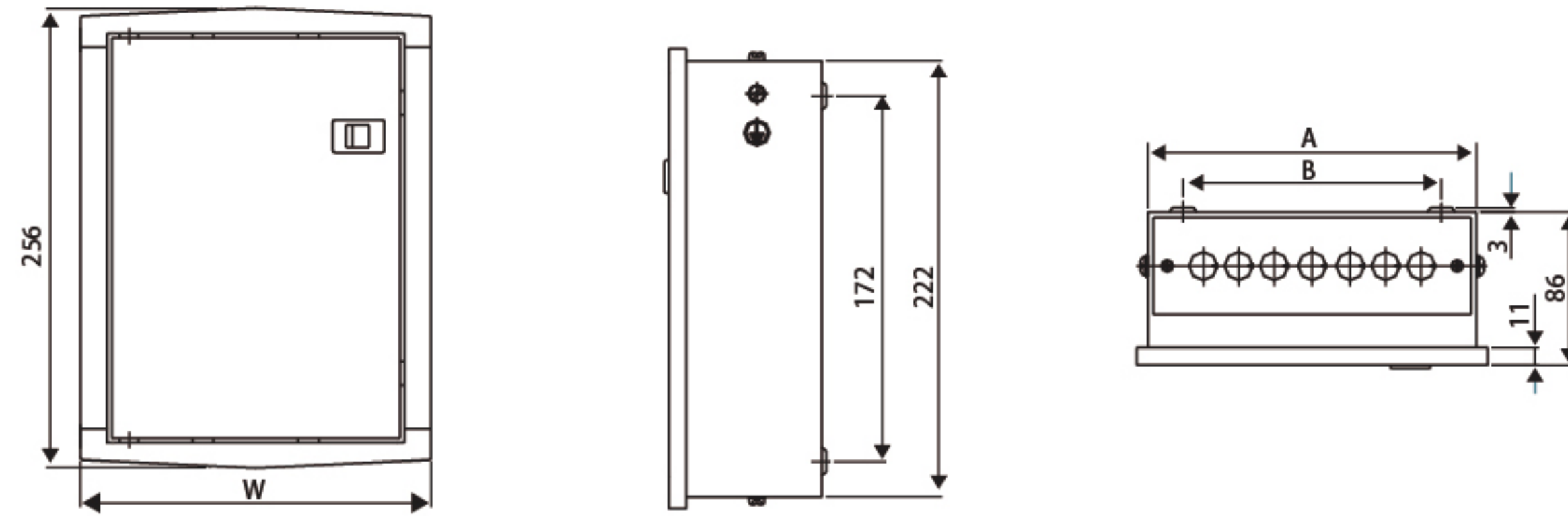


EBST1 Series three phases	Model	No. of ways	Dimensions		
			W(mm)	H(mm)	D(mm)
	EBST1-T4	4ways	405	451	118
	EBST1-T6	6ways	405	505	118
	EBST1-T8	8ways	405	559	118
	EBST1-T12	12ways	405	677	118

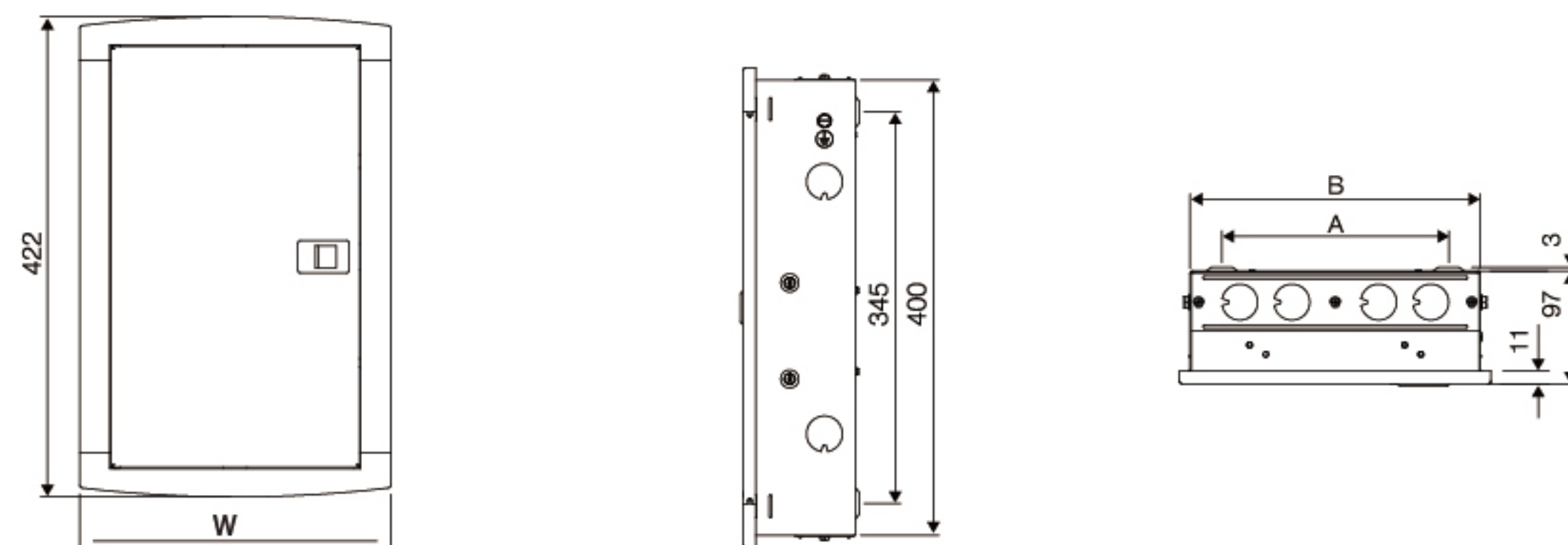


5.EBST2 Specifications & Dimensions


EBST2 Series single phase	Model	No. of ways	A(mm)	B(mm)	W(mm)	Top	Bottom	Side	Sheet Thickness
	EBST2-S4	4ways	175	125	197	3	3	1	1
	EBST2-S6	6ways	211	151	233	3	3	1	1
	EBST2-S8	8ways	247	187	269	5	5	1	1
	EBST2-S12	12ways	319	269	341	7	7	1	1
	EBST2-S16	16ways	391	341	413	9	9	1	1

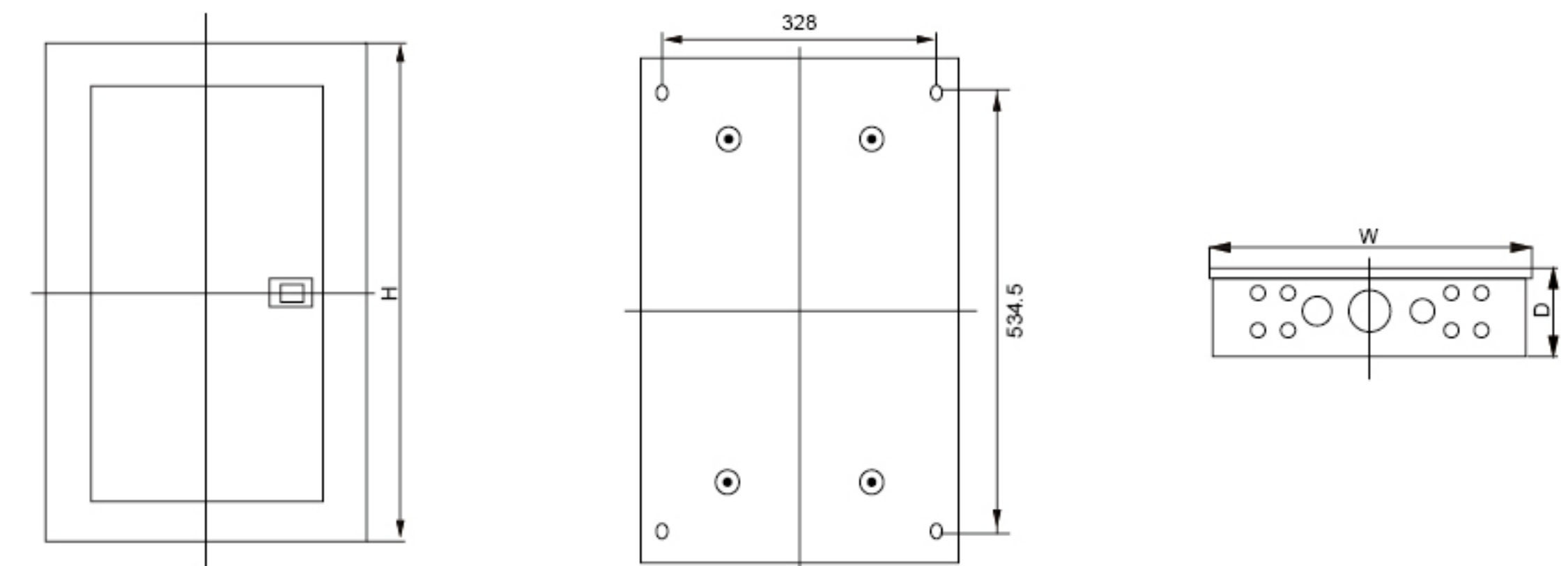


EBST2 Series three phase	Model	No. of ways	A(mm)	B(mm)	W(mm)	Top	Bottom	Side	Sheet Thickness
	EBST2-T4	4ways	254	196	269	4	341	2	1
	EBST2-T*4	*4ways	323	268	341	6	6	2	1
	EBST2-T6	6ways	323	268	341	6	6	2	1
	EBST2-T8	8ways	395	340	413	6	6	2	1
	EBST2-T12	12ways	534	479	552	8	8	2	1



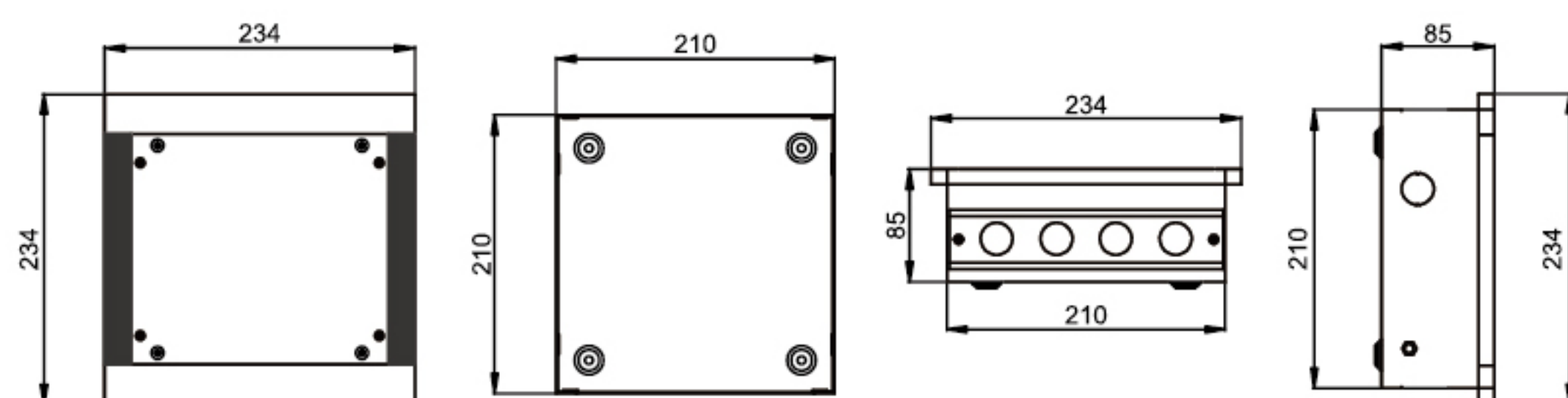
6.EBST3 Specifications & Dimensions

EBST3 Series single phase	Model	No. of ways	No. of rows	Dimensions		
				W(mm)	H(mm)	D(mm)
	EBST3-S6	6ways	1	267	257	110
	EBST3-S8	8ways	1	303	257	110
	EBST3-S10	10ways	1	339	257	110
	EBST3-S12	12ways	1	375	257	110
	EBST3-S14	14ways	1	411	257	110
	EBST3-S16	16ways	1	447	257	110
	EBST3-S18	18ways	1	483	257	110
	EBST3-S20	20ways	1	519	257	110
	EBST3-S22	22ways	1	555	257	110
	EBST3-S24	24ways	2	440	450	115
	EBST3-S26	26ways	2	458	450	115
	EBST3-S28	28ways	2	476	450	115
	EBST3-S30	30ways	2	494	450	115
	EBST3-S36	36ways	3	440	600	115
	EBST3-S45	45ways	3	494	600	115
	EBST3-S54	54ways	3	548	600	115
	EBST3-S60	60ways	3	584	600	115
	EBST3-S72	72ways	3	656	600	115

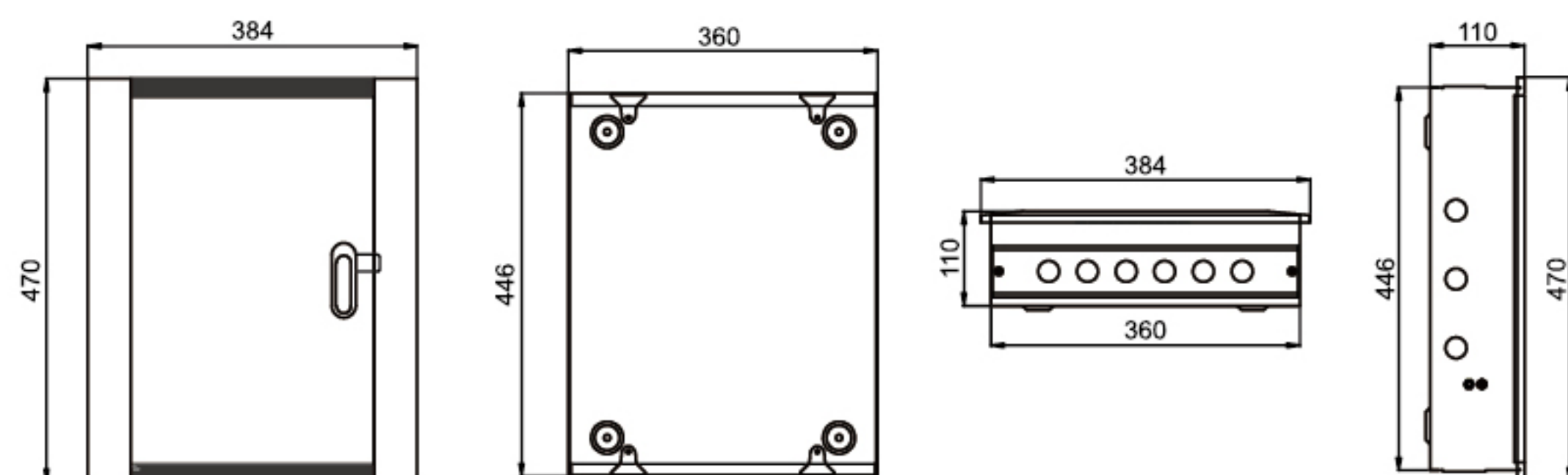


7.EBST4 Specifications & Dimensions

EBST4 Series single phase	Model	No. of ways	Dimensions		
			W(mm)	H(mm)	D(mm)
	EBST4-S4	4ways	210	210	85
	EBST4-S6	6ways	246	210	85
	EBST4-S8	8ways	282	210	85
	EBST4-S10	10ways	318	210	85
	EBST4-S14	14ways	354	210	85



EBST4 Series single phase	Model	No. of ways	Dimensions		
			W(mm)	H(mm)	D(mm)
	EBST4-T4	4ways	360	446	110
	EBST4-T6	6ways	360	500	110
	EBST4-T8	8ways	360	554	110
	EBST4-T10	10ways	360	608	110
	EBST4-T12	12ways	360	662	110



8.Order Note

Following items should be marked when ordering

Product name, model
Carton dimension
Quantity

Ordering sample

To order the EBST1 Series Metal Distribution Box, 6ways ,Quantity is 100 pieces, should be marked:
EBST1 6ways 100pcs.