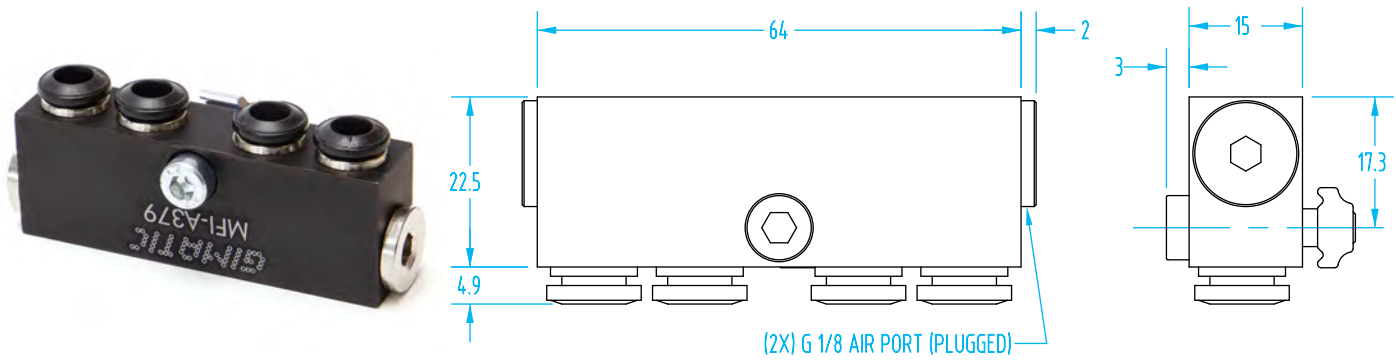
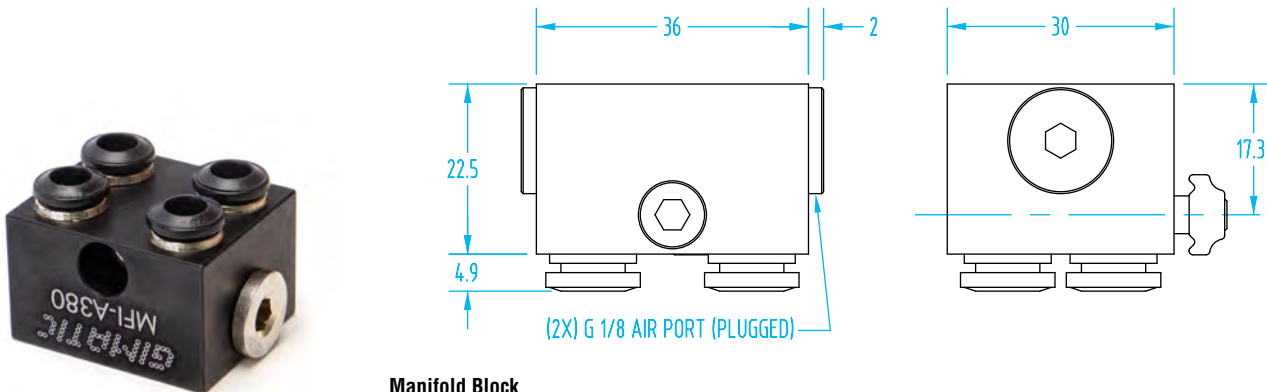


Gimatic Manifold Blocks with Integrated Fittings



Manifold Block

Quick#	Part#	Price	Ports	Wt.
7480	MFI-A379	\$48.10	Ø6mm (x4), G1/8" (x2)	61g

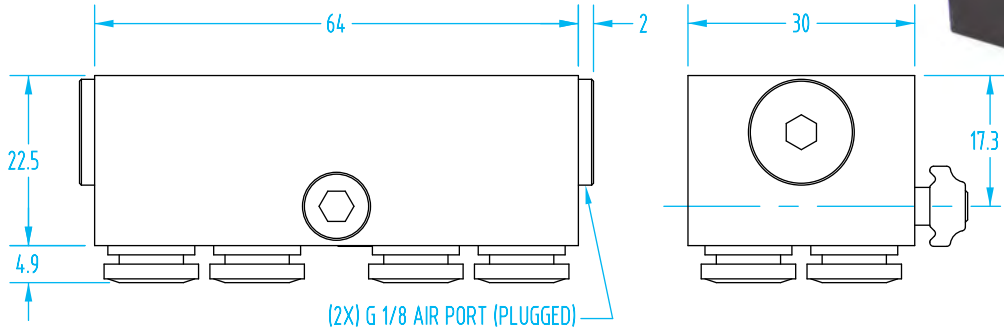


Manifold Block

Quick#	Part#	Price	Ports	Wt.
7481	MFI-A380	\$48.10	Ø6mm (x4), G1/8" (x2)	65g

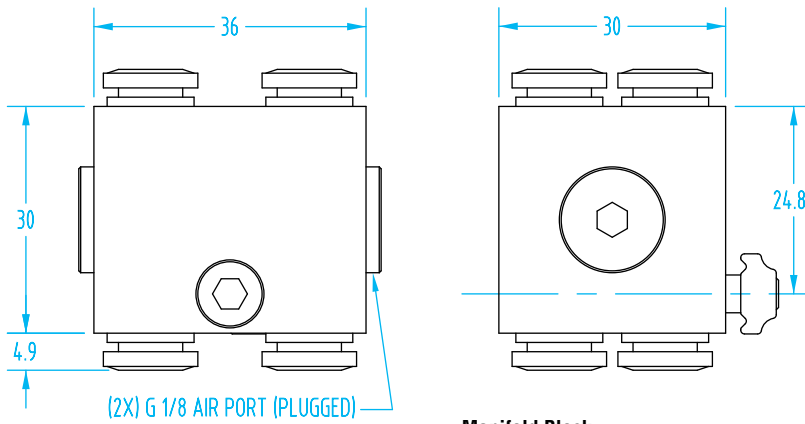


Gimatic Manifold Blocks with Integrated Fittings



Manifold Block

Quick#	Part#	Price	Ports	Wt.
7482	MFI-A381	\$62.37	Ø6mm (x8), G1/8" (x2)	106g



Manifold Block

Quick#	Part#	Price	Ports	Wt.
7483	MFI-A384	\$62.37	Ø6mm (x8), G1/8" (x2)	87g

New drop in channel nuts on all Gimatic manifold blocks allow the manifolds to be easily installed on an already assembled EOAT.

