

Manifold Blocks

(Dimensioned drawings shown full scale)

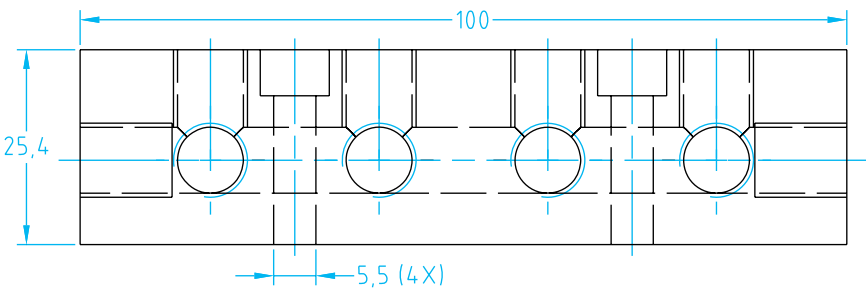
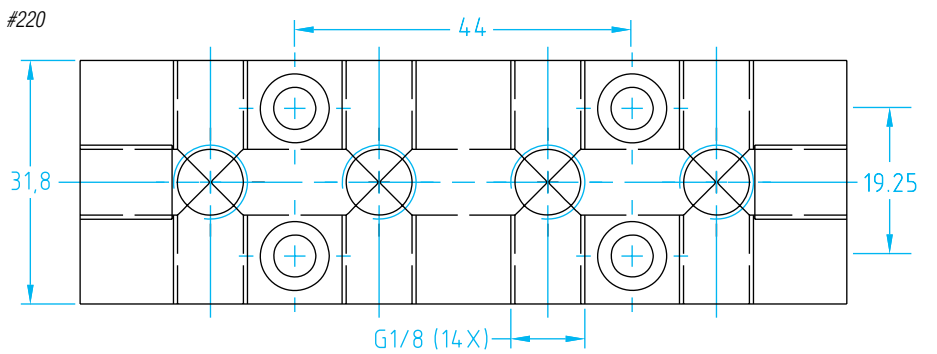
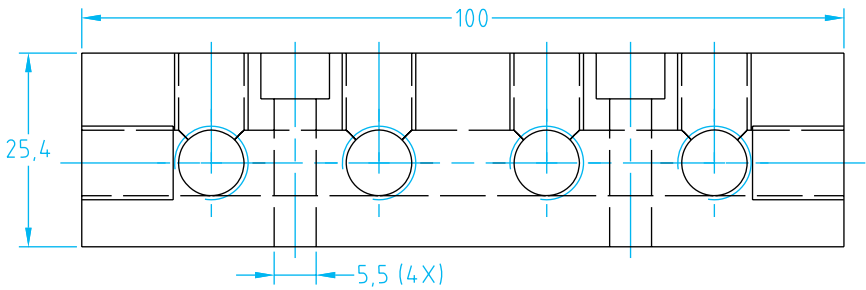
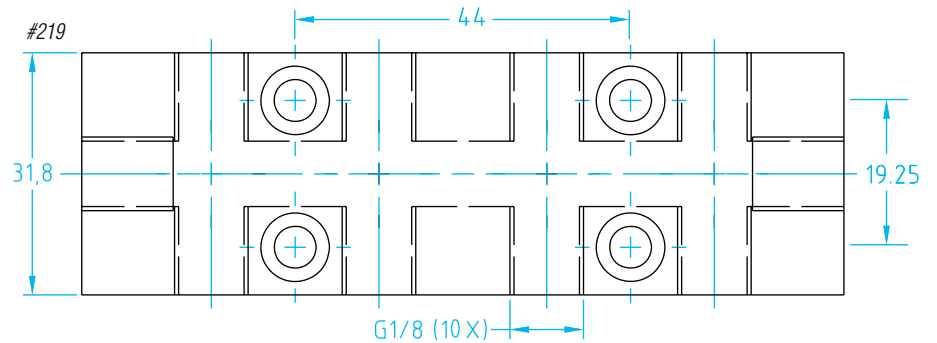
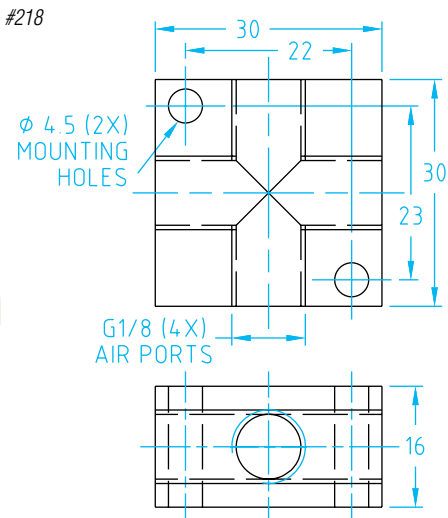
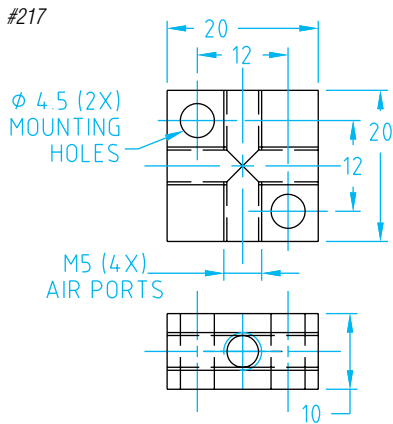


Manifold Blocks

Quick#	Part#	Ports	# Ports	Wt.	Price
217	GSF-MAN-M5X4	M5	4	9g	\$14.32
218	GSF-MAN-G8X4	G1/8"	4	29g	\$9.21
219	GSF-MAN-G8x08	G1/8"	10	170g	\$27.00
220	GSF-MAN-G8x12	G1/8"	14	163g	\$29.00

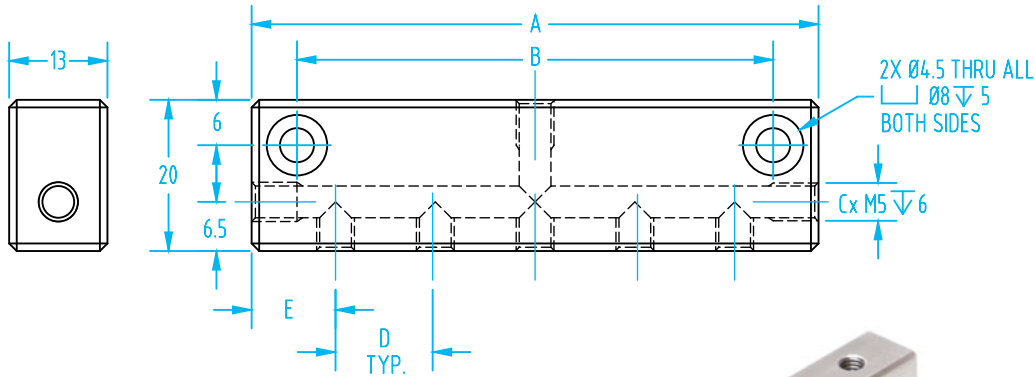
Fasteners are available on page 1076.

Compact female cross manifolds for the distribution of compressed air through one circuit.



Manifold Blocks

(Dimensioned drawings shown full scale)



Manifold Blocks

Quick#	A	B	C	D	E
388	50	38	6	13.6	11.5
389	75	63	8	12.9	11.1
390	100	88	10	13	10.9

NEW

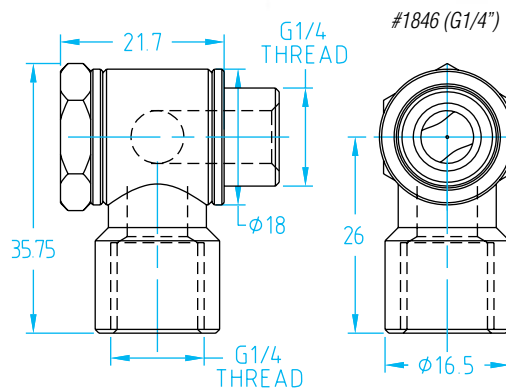
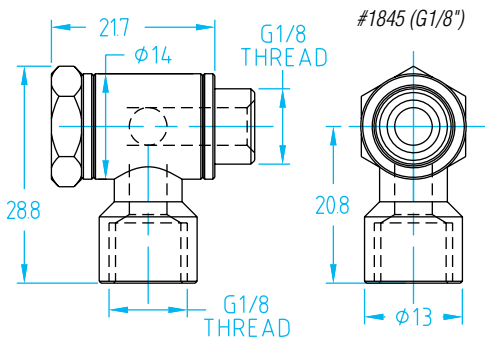
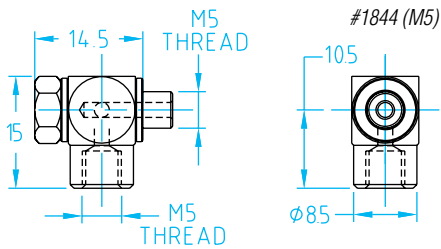


Manifold Blocks

Quick#	Part#	Ports	# Ports	Wt.	Price
388	GSF-MAN-M5X6	M5	6	24g	\$11.15
389	GSF-MAN-M5X8	M5	8	24g	\$12.65
390	GSF-MAN-M5X10	M5	10	61g	\$13.60

Fasteners are available on page 1076.

Banjo Fittings



Nickel-Plated Brass Banjo Fittings

Quick#	Part#	Style	Wt.	Price
1844	GSF-HSE-M5	Swivel "L" M5	8g	\$4.33
1845	GSF-HSE-G8	Swivel "L" G1/8"	30g	\$4.73
1846	GSF-HSE-G4	Swivel "L" G1/4"	48g	\$6.38