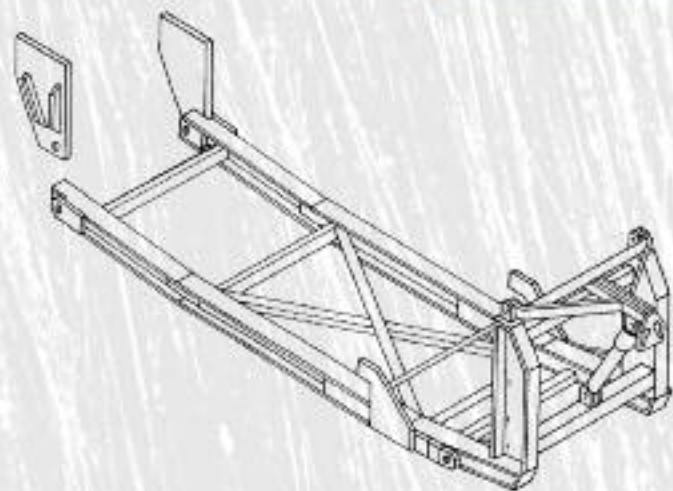




Falls Tilting Hitch Option effortlessly tilts forward to allow full hood tilt. This option is available on all Falls 2X Hitch Systems except the 21B model.



Falls #30 Hitch System is a husky, heavy-duty underchassis-style hitch built with 4" H-beams and 6" ship channel. This hitch transmits load and force to the rear-mounted side plates on truck chassis that don't have the frame or spring capacity to sustain the static weight of plow and hitch or the dynamic forces of snow plowing. Extra cross bracing and reinforcement at every stress point make this the strongest hitch in its class.

Every Falls Hitch System includes a standard, single-acting 4" x 10" lift cylinder with a 3" tubular shaft plated with 36-hour salt spray chrome. You also have the option of substituting a 3½" x 10" double-acting cylinder with 2" solid shaft.

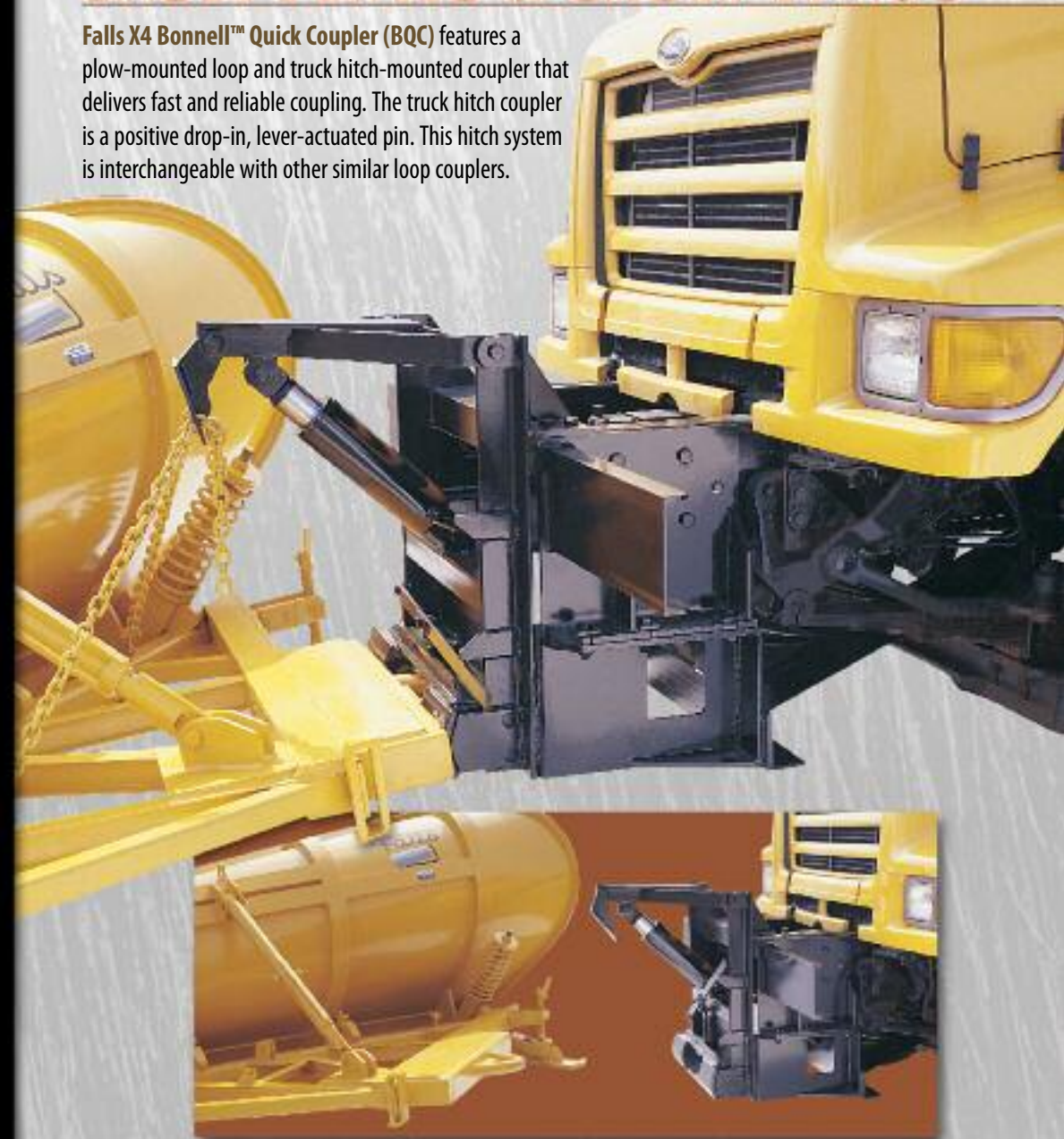


Don't hook up your Falls snow handling equipment to anything less than the #1 hitch systems on the road. Falls Hitch Systems are built to take punishment tougher than anything you're likely to see. And, they're made for easy operation, whether you run trucks or motor graders. Start your Falls System with your choice of our rugged plow-only hitch (*the 2X series*) or our combination plow and snow wing hitch (*the 4X series*). Then, select the coupling system that you prefer from the many available Falls options. It's that simple. Check out a Falls Hitch System today.

HITCH SYSTEMS

FOR TRUCK-MOUNTED SNOW PLOWS & SNOW WINGS

Falls X4 Bonnell™ Quick Coupler (BQC) features a plow-mounted loop and truck hitch-mounted coupler that delivers fast and reliable coupling. The truck hitch coupler is a positive drop-in, lever-actuated pin. This hitch system is interchangeable with other similar loop couplers.



Falls #44B Hitch System

QUICK REFERENCE MODEL # CHART

COUPLING STYLES	PLOW ONLY HITCH FALLS MODEL #	PLOW & SNOW WING HITCH FALLS MODEL #
w/ Manual Pin Coupler	20B	40B
w/ Husting Hitch Coupler	21B	41B
w/ Bonnell Loop Coupler	24B	44B
w/ Rapid Push Bar Coupler	26B	46B
w/ Jaw Quick Coupler	28B	48B

YOUR DEALER IS:

Specifications are subject to change without notice.

The policy and promise of Little Falls Machine, Inc. is continuing product improvement. Design change and structural alterations may occur without prior notice. Such changes will not sacrifice quality or product integrity.

Falls® is a trademark of Little Falls Machine, Inc. Little Falls Machine, Inc. is an equal opportunity employer.

0912-25-RP



LITTLE FALLS MACHINE, INC.

300 Lindbergh Drive South
 Little Falls, MN 56345
 Toll-free 800-772-PLOW
 Phone (320) 632-9266 • Fax (320) 632-3484
www.fallsplovs.com

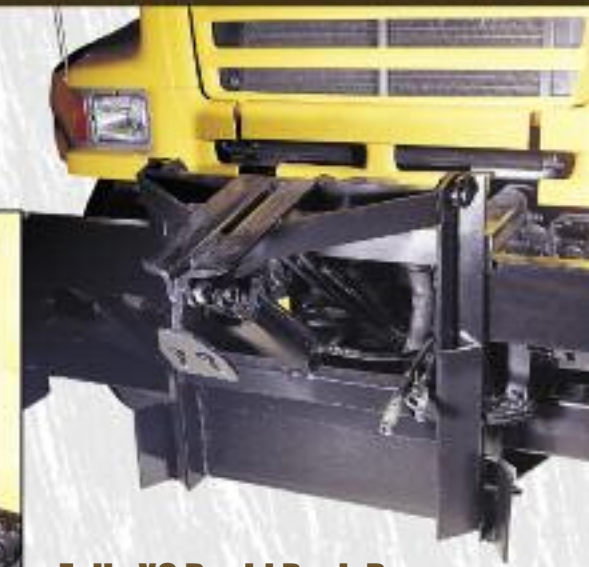


Falls X1 Modified Husting Quick Coupler (HH) is a modified version of the 29" Husting Hitch. We've modified this hitch to fit Falls' standards so now it's stronger, more flexible and reliable. We also added a chain lift to the truck-mounted portion. This delivers a smooth, "no pry" lifting action. The plow-mount is made of rugged 8" x 4" x 1/2" angle iron with the entire length of the sliding pin slot reinforced with 1" square and 5" x 3" x 5/16" angle iron.

It also has a center pivot pin which allows oscillation for closer manufacturing tolerances between truck and plow portions. Options: 34" width, roller kit.



Falls #46B Hitch System Shown



Falls X6 Rapid Push Bar Coupler (RPB) blends the stability and low center of force principles incorporated in a time-proven, push-arm assembly with a lever-actuated, spring-loaded retaining pin mechanism. The over-sized receptor sockets makes it easy for one-person to hook up and dramatically reduces the time needed to connect and disconnect.



Falls #2X Hitch System

is a "plow only" truck-mounted hitch that mounts directly on the existing truck chassis frame. The hitch assembly is heavily fortified to withstand the forces of heavy-duty plowing. Standard Thrust Arms deliver extra strength and stability. The low profile vertical risers permit a wide range of hood openings without tilt mechanisms (see available tilt mechanisms on pg. 4). Adapts to all Falls Quick Hitch Coupler Systems.



Falls #4X Hitch System is a "plow-wing" truck-mounted hitch. The hitch mounts directly on the existing truck chassis frame with 1/2" steel side plates. The hitch assembly is heavily fortified so it stands up to the forces of plowing and it's equipped with wing mounting provisions. Standard Thrust Arms deliver extra strength and stability. The low profile vertical risers permit a wide range of hood openings without tilt mechanisms. This system adapts to all Falls Quick Hitch Coupler Systems.



Falls X8 Jaw Quick Coupler (JQC) is a two-point latch system which keeps the moveable components attached to the snow plow. The solid components are a part of the truck-mounted assembly. This hitch system is interchangeable other similar jaw couplers.



Falls #48B Hitch System Shown