

M-2iA/3A



Max. load capacity at wrist: 3 kg



Max. reach: 800 mm

FANUC

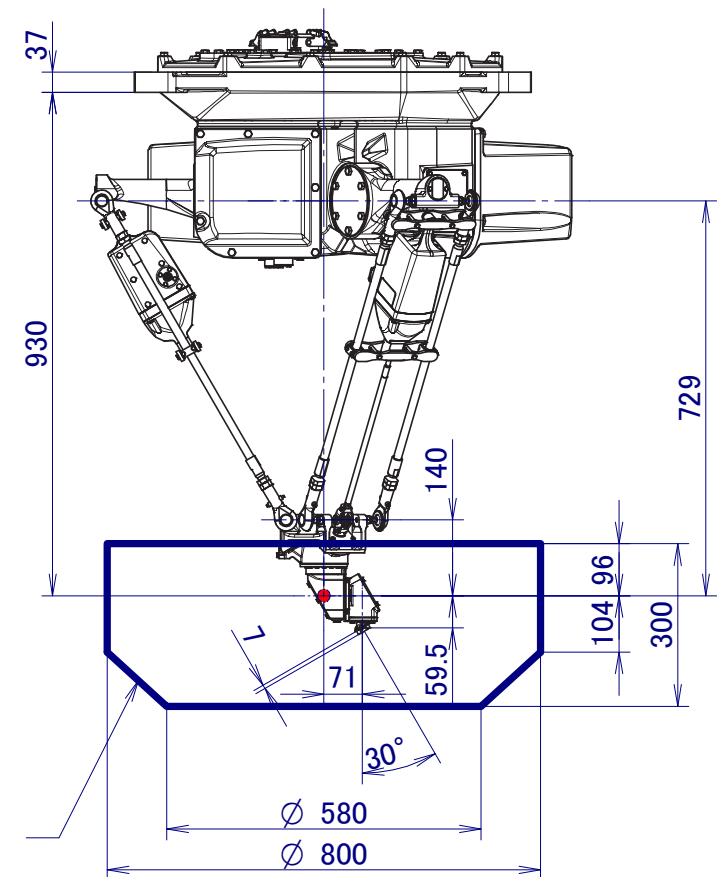
Robot			Max. load capacity at wrist (kg)	Reach (mm)	Controlled axes	Repeatability (mm)	Mechanical weight (kg)	Motion range (°)						Maximum speed (°/s)						J4 Moment/ Inertia	J5 Moment/ Inertia	J6 Moment/ Inertia	Average Power consumption (kW)	Protection	
Series	Version	Type						J1	J2	J3	J4	J5	J6	J1	J2	J3	J4	J5	J6					Body	Wrist & J3 arm
M-2	iA	3A	3	800	6	± 0.1	140	∅ 800 X 300 ^{*3)}			720	300	720	-	-	-	1700	1700	1700		*4)	2.5	IP69K	IP69K	

● standard ○ on request - not available *3) ∅ in mm by height in mm *4) refer to the wrist load diagram

M-2iA/3A 6-axis



M-2iA/3A



Operating space (● part motion)