

HERNDON ELEMENTARY SCHOOL COMMUNITY MEETING



MARCH 20, 2023

Team Introduction

- FCPS Design and Construction
 - Najib Hameed – Coordinator

- Consultant Design Team
 - Cooper Carry – Architect
 - Rinker Design Group – Civil Engineer
 - Adtek Engineers – Structural Engineer
 - Strickler Associates – MEP Engineer



COOPER CARRY



Herndon Elementary School Existing Site Plan

LEGEND

- EXISTING BUILDING
- EXISTING TRAILERS
- PAVED PLAY AREA
- PLAY AREA/FIELD
- MAIN ENTRY
- PROPERTY LINE

SITE AMENITIES

PLAYGROUND
PAVED PLAY AREA
2 - SOFTBALL FIELDS
SOCCER FIELD

PARKING

97 EXISTING PARKING SPACES

12 CURRENT BUSES FOR ARRIVAL AND DISMISSAL

CIRCULATION

- KISS & RIDE
- BUS



Project Timeline

- Schematic Design Phase Spring 2022
Design Feedback and Engagement Committee Meeting #1 05/31/2022
- Design Development Phase Summer 2022
- Intermediate Design Phase Fall 2022 – Winter 2022/23
Design Feedback and Engagement Committee Meeting #2 10/04/2022
- Final Design Phase Winter 2022/23 – Spring 2023
Community Meeting #1 03/20/2023
- Permit Phase Spring 2023 – Spring 2024
- Construction Start Spring 2024
- Final Completion Summer 2026



Project Scope

- FCPS 2021 Educational Specifications
 - Current Enrollment: 805
 - Current Program Capacity: 784
 - Proposed Design Capacity: 1,050
- Additions
 - New Classrooms
 - Administrative Suite
 - Cafeteria
 - New Outdoor Classroom
- Renovation of Existing Building
- Occupied Phased Construction

Floor Plan – First Floor

Existing



Floor Plan – Second Floor

Existing



Site Plan Proposed

LEGEND

- EXISTING BUILDING
- ADDITION
- PLAY AREA/FIELD
- PAVED PLAY AREA
- MAIN ENTRY
- PROPERTY LINE

SITE AMENITIES

- PLAYGROUND
- PREK PLAYGROUND
- KINDERGARTEN PAVED PLAY AREA
- OUTDOOR CLASSROOM
- PAVED PLAY AREA
- 2 - SOFTBALL FIELDS
- SOCCER FIELD

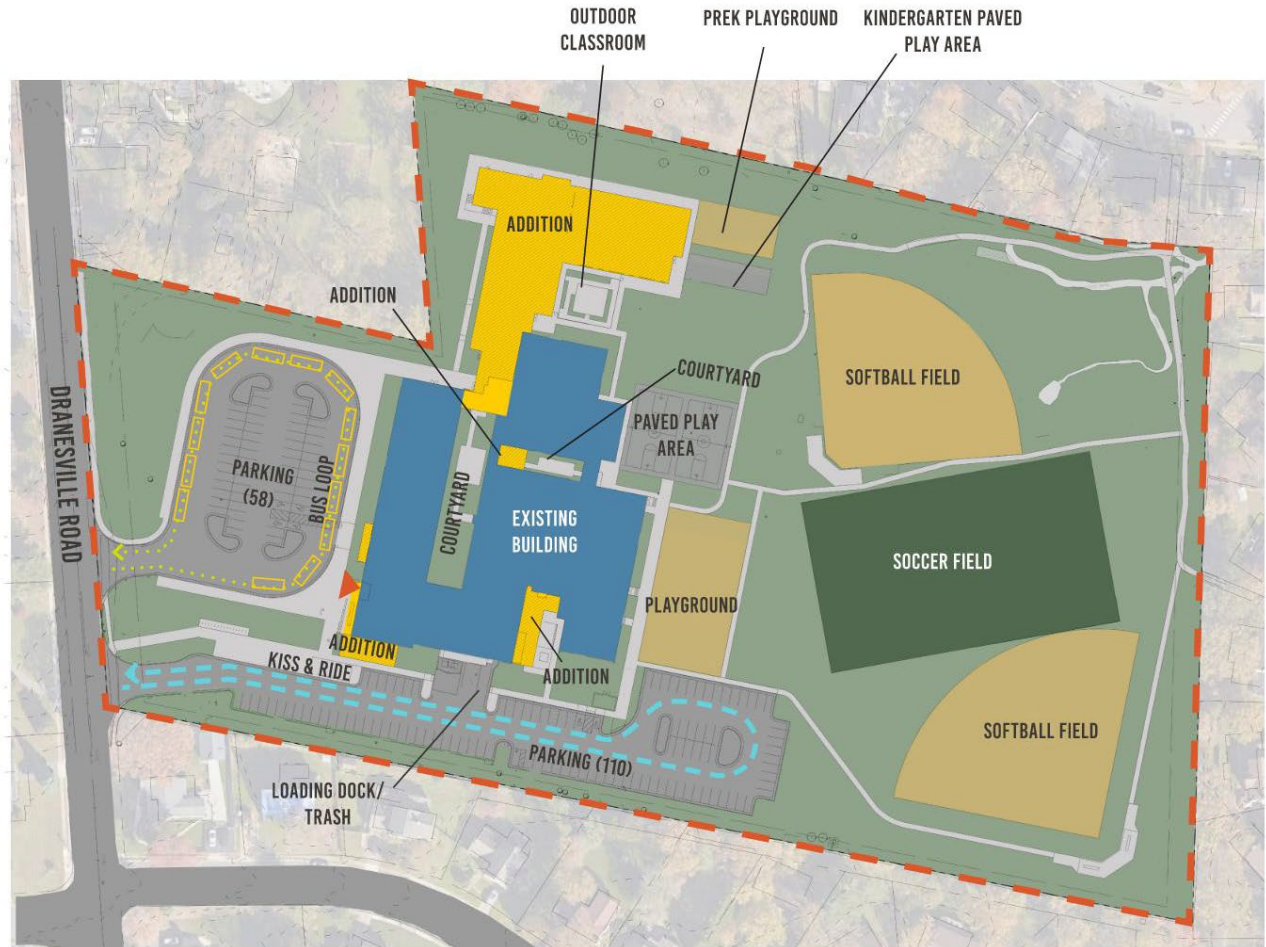
PARKING

168 PROPOSED PARKING SPACES
(97 EXISTING)

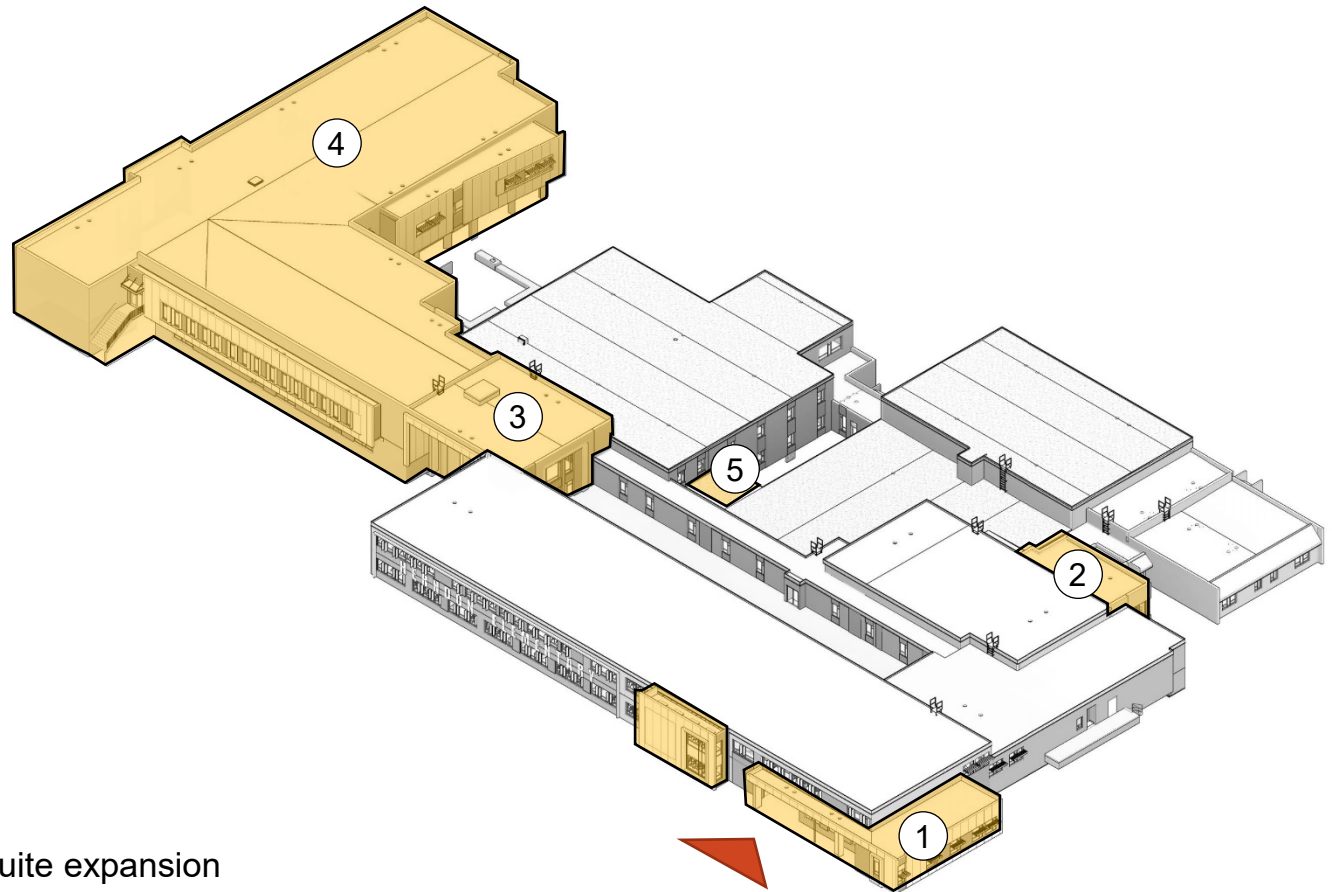
14 PROPOSED BUSES FOR ARRIVAL AND DISMISSAL

CIRCULATION

- KISS & RIDE
- BUS



Aerial Perspective

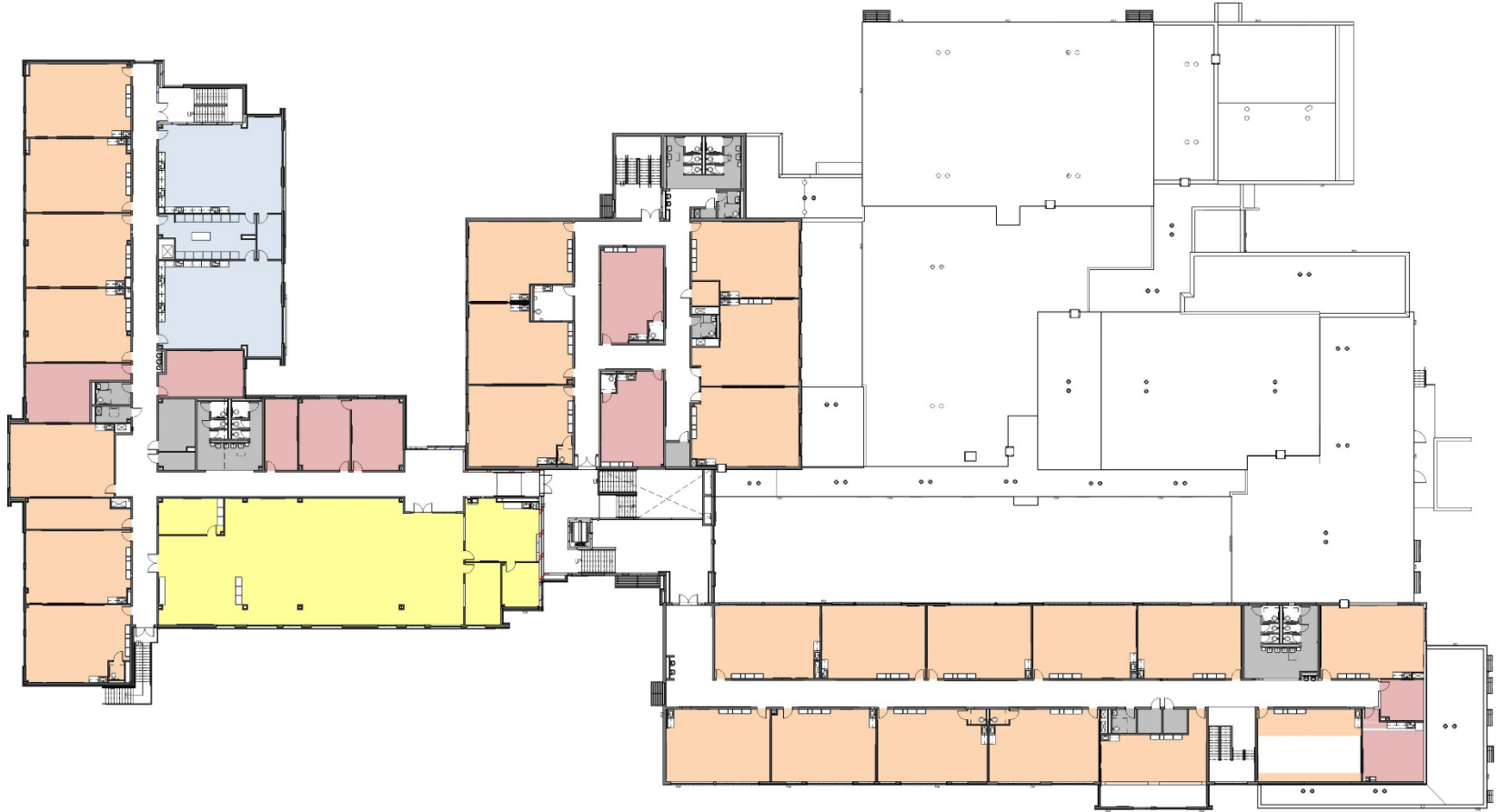


1. Administrative suite expansion
2. Cafeteria expansion
3. New central circulation
4. New library, music, art, and classrooms
5. Corridor connection

Proposed Floor Plan – First Floor



Proposed Floor Plan – Second Floor



Existing Exterior View



Proposed Exterior View



Proposed Exterior View



Proposed Exterior View



Proposed Exterior View



Proposed Interior View



Proposed Interior View



Proposed Interior View



Proposed Interior View



Proposed Interior View



Proposed Interior View



Thank you!

FOR MORE INFORMATION, GO TO [WWW.FCPS.EDU](http://www.fcps.edu) AND SEARCH FOR HERNDON ELEMENTARY

OR

<https://www.fcps.edu/herndon-elementary-capital-project>



www.fcps.edu