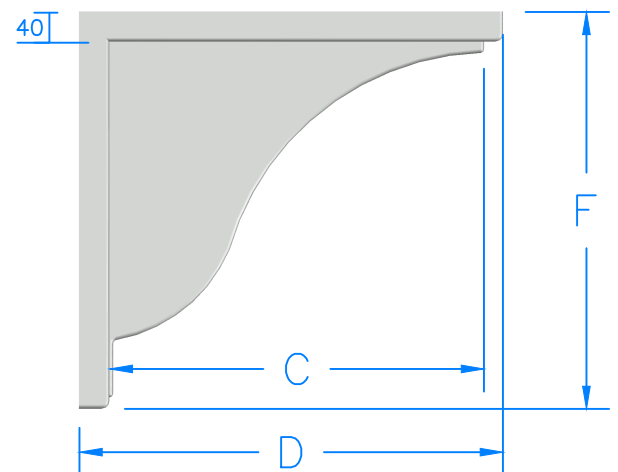
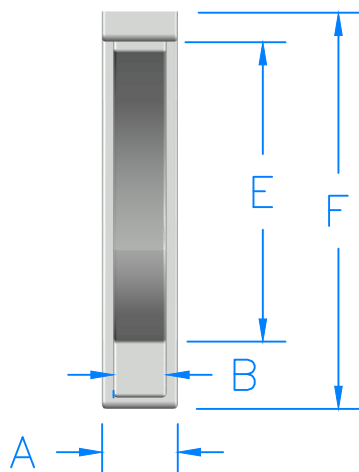


Front Elevation

Side Elevation



Dimensions	A	B	C	D	E	F
Standard	100 mm	70 mm	500 mm	560 mm	390 mm	525 mm



Architectural
Fibreglass
Mouldings Ltd

Frog Hall Leg - Specification

Globe Works, Richmond Street, Accrington, Lancashire, BB5 0RH

Tel: 01254 357000 Fax: 01254 357011
Email: info@fibreglassmouldings.co.uk

16/06/2022

Drawn by: JR

Approved: -