



2024 AIR DISC BRAKE CATALOGUE



**BEST
TRUSTED
VALUE**

www.fleet-products.ca



QUALITY PRODUCTS • TRUSTED SERVICE • COMPETITIVE PRICES

Ask about our price match guarantee!

Prior to purchase or within seven days of purchase, should you find a lower price, we will match that price and beat it by giving you an additional 10% off.

Customer must present original sales receipt along with (or) proof that the item is being sold at a lower price. We reserve the right to verify that the pricing is correct and that the merchandise is identical (same internal parts, model, country of origin, quantity requirements etc). This price match guarantee is subject to the verification of competitor's promotional offers, typographical errors, special orders, rebates, clearance/surplus or close out prices. Competitor's must be in North America and in Canadian dollars based on the appropriate exchange/shipping rates. This offer cannot be combined with any other offer and must be a stocking item at the specific location. Remanufactured product is only price guaranteed against Bendix® and Haldex® pricing. Offer applies to the purchase price of the merchandise only and does not apply to add-on related services such as delivery, installation, maintenance, labour, warranty or special credit terms. We reserve the right to decline any price guarantee at our discretion.

Locations



1 Fleet Product (Head Office)

3319 – 114th Avenue SE
Calgary, AB, T2Z 3X2

Telephone: 403.243.0442
Toll Free: 877.243.0442
Sales Fax: 403.243.9651
Admin Fax: 403.236.8241
E-mail: sales@fleet-products.com

2 KBR (Kelvin Brake & Rebuild)

3327 – 114th Avenue SE
Calgary, AB, T2Z 3X2

Telephone: 403.243.0442
Toll Free: 877.243.0442
Sales Fax: 403.243.9651
Admin Fax: 403.236.8241
E-mail: sales@fleet-products.com

3 BC Fleet Products

Unit 104, 1533 Broadway Street
Port Coquitlam, BC, V3C 6N9

Telephone: 604.945.0901
Toll Free: 877.945.0901
Fax: 604.945.0902
E-mail: bcsales@fleet-products.com

4 Ride Air Controls

1235 Mid-Way Blvd.
Mississauga, ON, L5T 2C1

Telephone: 905.565.0768
Toll Free: 888.565.0768
Fax: 905.565.0739
E-mail: sales@ride-air.ca



TO OUR VALUED CUSTOMERS

FLEET PRODUCTS AND KBR HAVE BEEN PROVIDING PARTS AND COMPONENTS TO THE MEDIUM AND HEAVY DUTY MARKET PLACE FOR OVER 30 YEARS!

OUR GOALS ARE SIMPLE:

“MEET OR EXCEED OUR CUSTOMERS EXPECTATIONS IN BOTH PRICE AND QUALITY”

OUR COMPANIES HAVE A UNIQUE COMBINATION OF MANUFACTURING AND WHOLESALE DISTRIBUTION WHICH ALLOWS US TO EXCEL IN WHAT WE DO. PLUS, WE SERVICE AND SUPPORT ALL THE PRODUCTS WE OFFER. WE THANK OUR VALUED CUSTOMERS FOR THE OPPORTUNITIES THAT WE HAVE BEEN GIVEN AND WE LOOK FORWARD TO GROWING WITH YOU IN THE FUTURE.

Ryan Miller
President



AIR DISC BRAKE CALIPERS

Air Disc Calipers - Bendix ADB22, ADB22LT, SAF HOLLAND

TRUCK ONLY - ADB22

“CERTIFIED” NEW - TRUCK AIR DISC CALIPERS WITH CARRIERS (NO CORE CHARGE)



FPK081142WC-G

DESCRIPTION: *New* Air Disc Caliper - 12° (ADB22) with Carrier (RH)

OEM #'s

- K109961, K081142, 802090, K097850, K097850SC, K147430

MANUFACTURER: Bendix

APPLICATION: 12° Truck (International, Kenworth, Mack, Peterbuilt, Volvo)

CORE: No core charge



FPK081143WC-G

DESCRIPTION: *New* Air Disc Caliper - 12° (ADB22) with Carrier (LH)

OEM #'s

- K109962, K081143, 802091, K097851, K097851SC, K147429

MANUFACTURER: Bendix

APPLICATION: 12° Truck (International, Kenworth, Mack, Peterbuilt, Volvo)

CORE: No core charge



FPK081256WC-G

DESCRIPTION: *New* Air Disc Caliper - 12° (ADB22) with Carrier (RH)

OEM #'s

- K109957, K081256, K021299, K097846, K097846SC, K147136

MANUFACTURER: Bendix

APPLICATION: 12° Truck (Freightliner)

CORE: No core charge



FPK081257WC-G

DESCRIPTION: *New* Air Disc Caliper - 12° (ADB22) with Carrier (LH)

OEM #'s

- K109958, K081257, K021300, K097847, K097847SC, K147135

MANUFACTURER: Bendix

APPLICATION: 12° Truck (Freightliner)

CORE: No core charge

“CERTIFIED” REMANUFACTURED - TRUCK AIR DISC CALIPERS WITH CARRIERS (CORE CHARGE APPLICABLE)



FPK109957WCX

DESCRIPTION: Air Disc Caliper - 12° (ADB22) with Carrier (RH)

OEM #'s

- K109957, K081256, K021299, K097846, K097846SC, K147136

MANUFACTURER: Bendix

APPLICATION: 12° Truck (Freightliner)

CORE: Applicable core charge



FPK109958WCX

DESCRIPTION: Air Disc Caliper - 12° (ADB22) with Carrier (LH)

OEM #'s

- K109958, K081257, K021300, K097847, K097847SC, K147135

MANUFACTURER: Bendix

APPLICATION: 12° Truck (Freightliner)

CORE: Applicable core charge



FPK109961WCX

DESCRIPTION: Air Disc Caliper - 12° (ADB22) with Carrier (RH)

OEM #'s

- K109961, K081142, 802090, K097850, K097850SC, K147430

MANUFACTURER: Bendix

APPLICATION: 12° Truck (International, Kenworth, Mack, Peterbuilt, Volvo)

CORE: Applicable core charge



FPK109962WCX

DESCRIPTION: Air Disc Caliper - 12° (ADB22) with Carrier (LH)

OEM #'s

- K109962, K081143, 802091, K097851, K097851SC, K147429

MANUFACTURER: Bendix

APPLICATION: 12° Truck (International, Kenworth, Mack, Peterbuilt, Volvo)

CORE: Applicable core charge

AIR DISC BRAKE CALIPERS

Air Disc Calipers - Bendix ADB22, ADB22LT, SAF HOLLAND

TRAILER ONLY - ADB22, SAF HOLLAND

“CERTIFIED” NEW - TRAILER AIR DISC CALIPERS WITH CARRIERS (NO CORE CHARGE)



FPK012341WC-G

DESCRIPTION: *New* Air Disc Caliper - 0° (ADB22) with Carrier (RH)

OEM #'s

- K012341, K012633K50, 5400101100

MANUFACTURER: Bendix

APPLICATION: 0° Trailer (SAF Holland), (SK7)

CORE: No core charge



FPK012342WC-G

DESCRIPTION: *New* Air Disc Caliper - 0° (ADB22) with Carrier (LH)

OEM #'s

- K012342, K012634K50, 5400101200

MANUFACTURER: Bendix

APPLICATION: 0° Trailer (SAF Holland), (SK7)

CORE: No core charge



FPK802984WC-G

DESCRIPTION: *New* Air Disc Caliper - 0° (ADB22) with Carrier (RH)

OEM #'s

- K113887, S-29152-15, 802984, K149714, K165794

MANUFACTURER: Bendix

APPLICATION: 0° Trailer (Hendrickson)

CORE: No core charge



FPK802985WC-G

DESCRIPTION: *New* Air Disc Caliper - 0° (ADB22) with Carrier (LH)

OEM #'s

- K113888, S-29152-14, 802985, K149715, K165795

MANUFACTURER: Bendix

APPLICATION: 0° Trailer (Hendrickson)

CORE: No core charge

“CERTIFIED” REMANUFACTURED - TRAILER AIR DISC CALIPERS WITH CARRIERS (CORE CHARGE APPLICABLE)



FPK012341WCX

DESCRIPTION: Air Disc Caliper - 0° (ADB22) with Carrier (RH)

OEM #'s

- K012341, K012633K50, 5400101100

MANUFACTURER: Bendix

APPLICATION: 0° Trailer (SAF Holland), (SK7)

CORE: Applicable core charge



FPK012342WCX

DESCRIPTION: Air Disc Caliper - 0° (ADB22) with Carrier (LH)

OEM #'s

- K012342, K012634K50, 5400101200

MANUFACTURER: Bendix

APPLICATION: 0° Trailer (SAF Holland), (SK7)

CORE: Applicable core charge



FPK51830052WCX

DESCRIPTION: Air Disc Caliper (SAF Holland ST7) with Carrier (LH) P89 & P89 Plus

OEM #'s

- 51830052

MANUFACTURER: Bendix

APPLICATION: 0° Trailer (SAF Holland), (ST7)

CORE: Applicable core charge



FPK51830053WCX

DESCRIPTION: Air Disc Caliper (SAF Holland ST7) with Carrier (RH) P89 & P89 Plus

OEM #'s

- 51830053

MANUFACTURER: Bendix

APPLICATION: 0° Trailer (SAF Holland), (ST7)

CORE: Applicable core charge



FPK113887WCX

DESCRIPTION: Air Disc Caliper - 0° (ADB22) with Carrier (RH)

OEM #'s

- K113887, S-29152-15, 802984

MANUFACTURER: Bendix

APPLICATION: 0° Trailer (Hendrickson)

CORE: Applicable core charge



FPK113888WCX

DESCRIPTION: Air Disc Caliper - 0° (ADB22) with Carrier (LH)

OEM #'s

- K113888, S-29152-14, 802985

MANUFACTURER: Bendix

APPLICATION: 0° Trailer (Hendrickson)

CORE: Applicable core charge

AIR DISC BRAKE CALIPERS

Air Disc Calipers - Bendix ADB22, ADB22LT, SAF HOLLAND

TRAILER ONLY - ADB22LT

“CERTIFIED” NEW - TRAILER AIR DISC CALIPERS WITH CARRIERS (NO CORE CHARGE)



FPK149714WC-G

DESCRIPTION: *New* Air Disc Caliper - 0° (ADB22LT) with Carrier (RH)

OEM #'s

- K165794, 802956, K149714, K149714SC

MANUFACTURER: Bendix

APPLICATION: 0° Trailer (Hendrickson)

CORE: No core charge



FPK149715WC-G

DESCRIPTION: *New* Air Disc Caliper - 0° (ADB22LT) with Carrier (LH)

OEM #'s

- K165795, 802957, K149715, K149715SC

MANUFACTURER: Bendix

APPLICATION: 0° Trailer (Hendrickson)

CORE: No core charge

“CERTIFIED” REMANUFACTURED - TRAILER AIR DISC CALIPERS WITH CARRIERS (CORE CHARGE APPLICABLE)



FPK165794WCX

DESCRIPTION: Air Disc Caliper - 0° (ADB22LT) with Carrier (RH)

OEM #'s

- K165794, 802956, K149714, K149714SC

MANUFACTURER: Bendix

APPLICATION: 0° Trailer (Hendrickson)

CORE: Applicable core charge



FPK165795WCX

DESCRIPTION: Air Disc Caliper - 0° (ADB22LT) with Carrier (LH)

OEM #'s

- K165795, 802957, K149715, K149715SC

MANUFACTURER: Bendix

APPLICATION: 0° Trailer (Hendrickson)

CORE: Applicable core charge

AIR DISC BRAKE CALIPERS

Air Disc Calipers - Wabco - PAN17, PAN19, PAN22, MAXX22T, MAXXUS

TRUCK ONLY - MAXXUS

“CERTIFIED” NEW - TRUCK AIR DISC CALIPERS WITH CARRIERS (NO CORE CHARGE)



FP6403220500WC-G

DESCRIPTION: *New* Air Disc Caliper (MAXXUS) with Carrier (LH) (*Bottom Mount Carrier)

OEM #'s

- 6403220650

MANUFACTURER: Wabco

APPLICATION: 12° Truck (Freightliner, Western Star)

CORE: No core charge



FP6403220510WC-G

DESCRIPTION: *New* Air Disc Caliper (MAXXUS) with Carrier (RH) (*Bottom Mount Carrier)

OEM #'s

- 6403220660

MANUFACTURER: Wabco

APPLICATION: 12° Truck (Freightliner, Western Star)

CORE: No core charge

“CERTIFIED” REMANUFACTURED - TRUCK AIR DISC CALIPERS WITH CARRIERS (CORE CHARGE APPLICABLE)



FP6403220500WCX

DESCRIPTION: Air Disc Caliper (MAXXUS) with Carrier (LH) (*Bottom Mount Carrier)

OEM #'s

- 6403220650

MANUFACTURER: Wabco

APPLICATION: 12° Truck (Freightliner, Western Star)

CORE: Applicable core charge



FP6403220510WCX

DESCRIPTION: Air Disc Caliper (MAXXUS) with Carrier (RH) (*Bottom Mount Carrier)

OEM #'s

- 6403220660

MANUFACTURER: Wabco

APPLICATION: 12° Truck (Freightliner, Western Star)

CORE: Applicable core charge



FP6403221040WCX

DESCRIPTION: Air Disc Caliper (MAXXUS) with Carrier (LH) (*Standard Mount Carrier)

MANUFACTURER: Wabco

APPLICATION: 12° Truck (Freightliner, Western Star)

CORE: Applicable core charge



FP6403221050WCX

DESCRIPTION: Air Disc Caliper (MAXXUS) with Carrier (RH) (*Standard Mount Carrier)

MANUFACTURER: Wabco

APPLICATION: 12° Truck (Freightliner, Western Star)

CORE: Applicable core charge

AIR DISC BRAKE CALIPERS

Air Disc Calipers - Wabco - PAN17, PAN19, PAN22, MAXX22T, MAXXUS

TRAILER ONLY - PAN17, PAN22, MAXX22T

“CERTIFIED” NEW - TRAILER AIR DISC CALIPERS WITH CARRIERS (NO CORE CHARGE)



FP40175072WC-G

DESCRIPTION: *New* Air Disc Caliper (PAN17) with IMT Carrier (LH)

OEM #'s
 • 40175072, 650-40175072

MANUFACTURER: Wabco

APPLICATION: PAN17 with IMT Axle

CORE: No core charge



FP40175073WC-G

DESCRIPTION: *New* Air Disc Caliper (PAN17) with IMT Carrier (RH)

OEM #'s
 • 40175073, 650-40175073

MANUFACTURER: Wabco

APPLICATION: PAN17 with IMT Axle

CORE: No core charge



FP40225015WC-G

DESCRIPTION: *New* Air Disc Caliper (PAN22) with IMT Carrier (LH)

OEM #'s
 • 40225015, 650-40225015

MANUFACTURER: Wabco

APPLICATION: PAN22 with IMT Axle

CORE: No core charge



FP40225016WC-G

DESCRIPTION: *New* Air Disc Caliper (PAN22) with IMT Carrier (RH)

OEM #'s
 • 40225016, 650-40225016

MANUFACTURER: Wabco

APPLICATION: PAN22 with IMT Axle

CORE: No core charge



FP6402250800WC-G

DESCRIPTION: *NEW* Air Disc Caliper (PAN22) with Hendrickson Carrier (LH)

OEM #'s
 • 6402250800, 650-6402250800

MANUFACTURER: Wabco

APPLICATION: PAN22 with Hendrickson Axle

CORE: No core charge



FP6402250810WC-G

DESCRIPTION: *NEW* Air Disc Caliper (PAN22) with Hendrickson Carrier (RH)

OEM #'s
 • 6402250810, 650-6402250810

MANUFACTURER: Wabco

APPLICATION: PAN22 with Hendrickson Axle

CORE: No core charge



FP6402220050WC-G

DESCRIPTION: *NEW* Air Disc Caliper (MAXX22T) with Carrier (LH)

OEM #'s
 • 6402220050, 6402220070

MANUFACTURER: Wabco

APPLICATION: Trailer (Hendrickson Intraax & Vantraax)

CORE: No core charge



FP6402220060WC-G

DESCRIPTION: *NEW* Air Disc Caliper (MAXX22T) with Carrier (RH)

OEM #'s
 • 6402220060, 6402220080

MANUFACTURER: Wabco

APPLICATION: Trailer (Hendrickson Intraax & Vantraax)

CORE: No core charge

AIR DISC BRAKE CALIPERS

Air Disc Calipers - Wabco - PAN17, PAN19, PAN22, MAXX22T, MAXXUS

TRAILER ONLY - PAN17, PAN19, PAN22, MAXX22T

“CERTIFIED” REMANUFACTURED - TRAILER AIR DISC CALIPERS WITH CARRIERS (CORE CHARGE APPLICABLE)



FP40175072WCX

DESCRIPTION: Air Disc Caliper (PAN17) with IMT Carrier (LH)

OEM #'s
 • 40175072, 650-40175072

MANUFACTURER: Wabco

APPLICATION: PAN17 with IMT Axle

CORE: Applicable core charge



FP40175073WCX

DESCRIPTION: Air Disc Caliper (PAN17) with IMT Carrier (RH)

OEM #'s
 • 40175073, 650-40175073

MANUFACTURER: Wabco

APPLICATION: PAN17 with IMT Axle

CORE: Applicable core charge



FP40195037WCX

DESCRIPTION: Air Disc Caliper (PAN19) with IMT Carrier (LH)

OEM #'s
 • 40195037, 650-40195037

MANUFACTURER: Wabco

APPLICATION: PAN19 with IMT Axle

CORE: Applicable core charge



FP40195038WCX

DESCRIPTION: Air Disc Caliper (PAN19) with IMT Carrier (RH)

OEM #'s
 • 40195038, 650-40195038

MANUFACTURER: Wabco

APPLICATION: PAN19 with IMT Axle

CORE: Applicable core charge



FP40225015WCX

DESCRIPTION: Air Disc Caliper (PAN22) with IMT Carrier (LH)

OEM #'s
 • 40225015, 650-40225015

MANUFACTURER: Wabco

APPLICATION: PAN22 with IMT Axle

CORE: Applicable core charge



FP40225016WCX

DESCRIPTION: Air Disc Caliper (PAN22) with IMT Carrier (RH)

OEM #'s
 • 40225016, 650-40225016

MANUFACTURER: Wabco

APPLICATION: PAN22 with IMT Axle

CORE: Applicable core charge



FP6402250800WCX

DESCRIPTION: Air Disc Caliper (PAN22) with Hendrickson Carrier (LH)

OEM #'s
 • 6402250800,
 650-6402250800

MANUFACTURER: Wabco

APPLICATION: PAN22 with Hendrickson Axle

CORE: Applicable core charge



FP6402250810WCX

DESCRIPTION: Air Disc Caliper (PAN22) with Hendrickson Carrier (RH)

OEM #'s
 • 6402250810,
 650-6402250810

MANUFACTURER: Wabco

APPLICATION: PAN22 with Hendrickson Axle

CORE: Applicable core charge



FP6402220050WCX

DESCRIPTION: Air Disc Caliper (MAXX22T) with Carrier (LH)

OEM #'s
 • 6402220050, 6402220070

MANUFACTURER: Wabco

APPLICATION: MAXX22T Trailer (Hendrickson Intraax & Vantraax)

CORE: Applicable core charge



FP6402220060WCX

DESCRIPTION: Air Disc Caliper (MAXX22T) with Carrier (RH)

OEM #'s
 • 6402220060, 6402220080

MANUFACTURER: Wabco

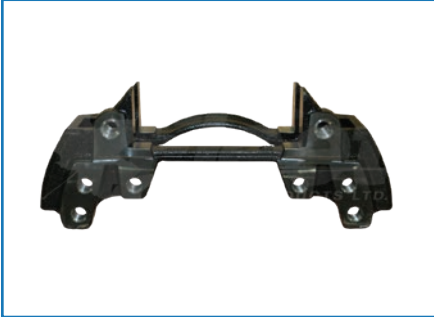
APPLICATION: MAXX22T Trailer (Hendrickson Intraax & Vantraax)

CORE: Applicable core charge

AIR DISC BRAKE CARRIERS

Air Disc Carriers - Bendix - ADB22 and ADB22LT

“CERTIFIED” NEW - AIR DISC BRAKE CARRIERS



FPK043288

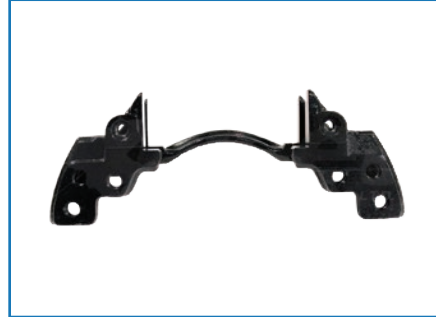
DESCRIPTION: Air Disc Carrier - ADB22

OEM #'s

- K043288

MANUFACTURER: Bendix

APPLICATION: ADB22 Trailer (Hendrickson)



FPK051853

DESCRIPTION: Air Disc Carrier - ADB22

OEM #'s

- K051853

MANUFACTURER: Bendix

APPLICATION: ADB22 Trailer (All Makes)



FPK056889

DESCRIPTION: Air Disc Carrier - ADB22

OEM #'s

- K056889

MANUFACTURER: Bendix

APPLICATION: ADB22 Freightliner



FPK129301

DESCRIPTION: Air Disc Carrier - ADB22LT

OEM #'s

- K129301

MANUFACTURER: Bendix

APPLICATION: ADB22LT Trailer (Hendrickson)



FPK2019050

DESCRIPTION: Air Disc Carrier - ADB22

OEM #'s

- K2019050

MANUFACTURER: Bendix

APPLICATION: ADB22 Trailer (SAF Holland)

AIR DISC BRAKE CARRIERS

Air Disc Carriers - Wabco - PAN17, PAN19, PAN22, MAXX22T, MAXXUS

“CERTIFIED” NEW - AIR DISC BRAKE CARRIERS



FP30186

DESCRIPTION: Air Disc Carrier - PAN17 (LH)

OEM #'s

- 0810 30186

MANUFACTURER: Wabco

APPLICATION: PAN17 (IMT Axle)



FP30187

DESCRIPTION: Air Disc Carrier - PAN17 (RH)

OEM #'s

- 0810 30187

MANUFACTURER: Wabco

APPLICATION: PAN17 (IMT Axle)



FP30188

DESCRIPTION: Air Disc Carrier - PAN19 (LH)

OEM #'s

- 0810 30188

MANUFACTURER: Wabco

APPLICATION: PAN19 (IMT Axle)



FP30189

DESCRIPTION: Air Disc Carrier - PAN19 (RH)

OEM #'s

- 0810 30189

MANUFACTURER: Wabco

APPLICATION: PAN19 (IMT Axle)



FP30190

DESCRIPTION: Air Disc Carrier - PAN22 (LH), (IMT Axle)

OEM #'s

- 0810 30190

MANUFACTURER: Wabco

APPLICATION: PAN22 (IMT Axle)



FP30191

DESCRIPTION: Air Disc Carrier - PAN22 (RH), (IMT Axle)

OEM #'s

- 0810 30191

MANUFACTURER: Wabco

APPLICATION: PAN22 (IMT Axle)



FP30196

DESCRIPTION: Air Disc Carrier - PAN22 (LH), (Hendrickson Axle)

OEM #'s

- 0810 30196

MANUFACTURER: Wabco

APPLICATION: PAN22 (Hendrickson Axle)



FP30197

DESCRIPTION: Air Disc Carrier - PAN22 (RH), (Hendrickson Axle)

OEM #'s

- 0810 30197

MANUFACTURER: Wabco

APPLICATION: PAN22 (Hendrickson Axle)



FP2555

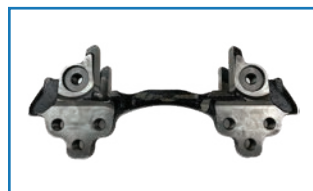
DESCRIPTION: Air Disc Carrier - MAXX22T (LH), (Hendrickson Axle)

OEM #'s

- n/a

MANUFACTURER: Wabco

APPLICATION: MAXX22T (Hendrickson Axle)



FP2556

DESCRIPTION: Air Disc Carrier - MAXX22T (RH), (Hendrickson Axle)

OEM #'s

- n/a

MANUFACTURER: Wabco

APPLICATION: MAXX22T (Hendrickson Axle)



FP2553

DESCRIPTION: Air Disc Carrier - MAXXUS (LH)

OEM #'s

- n/a

MANUFACTURER: Wabco

APPLICATION: MAXXUS (Truck)



FP2554

DESCRIPTION: Air Disc Carrier - MAXXUS (RH)

OEM #'s

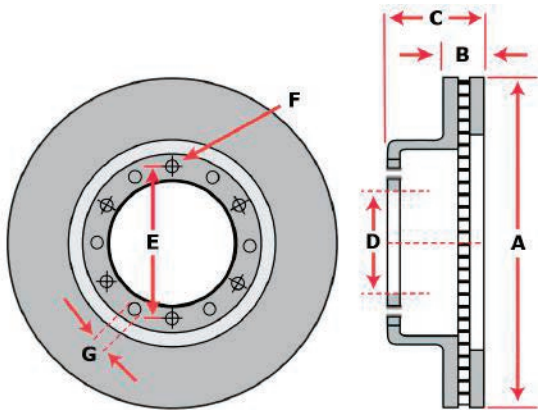
- n/a

MANUFACTURER: Wabco

APPLICATION: MAXXUS (Truck)

AIR DISC BRAKE ROTORS

STEPS FOR ROTOR IDENTIFICATION



Rotor manufacturers use different FP Part #s across the industry and vehicle manufacturers may use several different rotors for one application. The easiest way to identify your rotor is to find these measurements:

- A. Outside Diameter across the face of the disc
- B. Rotor Thickness. Every rotor has a OE spec for New and Minimal Thickness. (Minimum is stamped on rotor.)
- C. Overall Rotor Depth from top of hat or flange to opposite rotor face.
- D. Pilot Diameter
- E. Bolt Circle Diameter measured from center of bolt holes.
- F. Bolt Hole Size and Count
- G. Note rotor style and ABS ring configuration. Some rotors will have same measurements but be a different style.

FP Part #	A		B		C	D	E	F		Weight	Style	ABS	Model/ Application
	Outside dia. (mm)	Disc Thickness	New	Min				Bolt Holes	Weight				
					Overall Rotor Depth	Pilot dia. (mm)	Bolt Circle (mm)	Size	Number	KG	LBS		
FP71601	376.94	45	39	163.58	220	249.43	M16-2	10	27.67	61	UL	CAST	WABCO PAN19
FP75180	325.12	34	28.25	148.59	173	196.09	M14-2	8	19.05	42	U	CAST	WABCO PAN17
FP76613	430	45	39	150	220	249.5	M16-2	10	32.2	71	UL	CAST	WABCO PAN22 (IMT AXLE)
FP76810	430	45	41.4	150	219.71	249.5	0.625-11	10	33.8	74.5	UL	CAST	WABCO PAN22 (HENDRICKSON AXLE)
FP802081	430	45	37	138.3	220	250	0.625-11	10	33.8	74.5	UL	NO	BENDIX ADB22
FP802082	430	45	37	150	220	250	0.625-11	10	39.1	86.2	UL	NO	BENDIX ADB22
FP802569	429.90	SPLINE	SPLINE	44.96	258	N/A	N/A	N/A	24.13	53.2	F	NO	BENDIX ADB22
FPK123642	433.57	45	37	143.51	216	266.7	0.58"	10	36.31	80	UL	NO	MERITOR EX225
FP10018609	429.30	N/A	N/A	53.01	166.40	199.60	0.66"	10	24.04	53	F	YES (w/ring)	WABCO PAN22
FPS34471	415.90	N/A	N/A	149.90	219.80	249.50	N/A	10	30.6	67.5	UL	CAST	WABCO MAXX22T (HENDRICKSON AXLE)

CORROSION PROTECTION

All of our rotors are treated with Geomet®400 coatings significantly extending rotor life. Applied in layers of 8-10 microns thick, this blend of zinc and aluminum oxides interlace and bind to the metal surface so that they are four times more corrosion resistant than zinc-only coatings. Feel confident knowing your rotors are protected from typical corrosives such as: Road Salt - Magnesium Chloride - Kerosene - Gas - Diesel - Calcium Chloride - Brake Fluid - Brake Clean - Antifreeze - Ammonia - Alcohol and Acid Wash.

ALL OF OUR ROTORS ARE TREATED WITH GEOMET®400 COATINGS

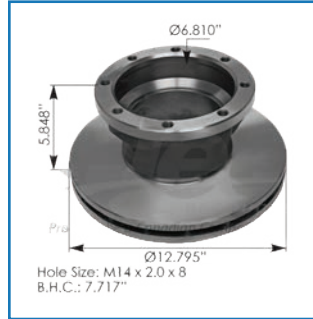
AIR DISC BRAKE ROTORS

“CERTIFIED” NEW - AIR DISC BRAKE ROTORS



FP71601

DESCRIPTION: Air Disc Rotor - Pan 19 (UL-Style)



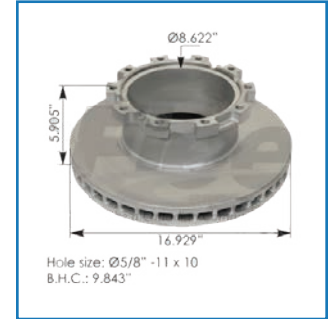
FP75180

DESCRIPTION: Air Disc Rotor - PAN17 (U-Style)



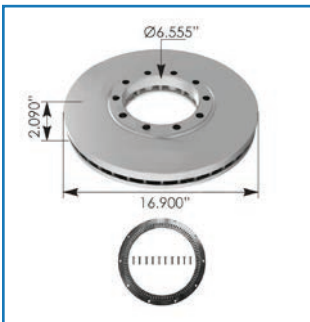
FP76613

DESCRIPTION: Air Disc Rotor - PAN22 (UL-Style) IMT Axle



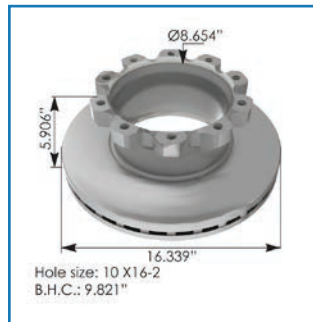
FP76810

DESCRIPTION: Air Disc Rotor - PAN22 (UL-Style) Hendrickson Axle



FP10018609

DESCRIPTION: Air Disc Rotor - PAN22 with Hardware (CONMET)



FPS34471

DESCRIPTION: Air Disc Rotor - MAXX22T (U-Style), S-38765



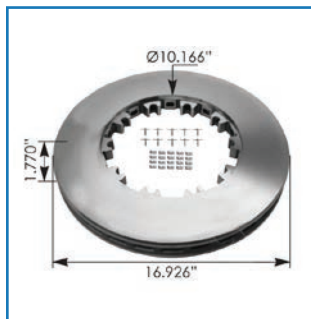
FP802081

DESCRIPTION: Air Disc Rotor - 138mm (UL-Style)



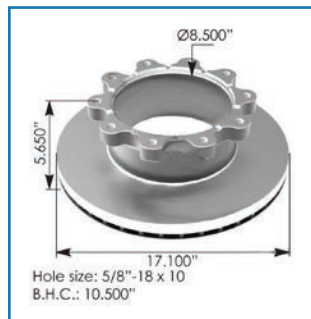
FP802082

DESCRIPTION: Air Disc Rotor - 150mm (UL-Style) (K038574)



FP802569

DESCRIPTION: Air Disc Rotor - Splined (F-Style)



FPK123642

DESCRIPTION: Air Disc Rotor - EX225 (UL-Style)



FPS41533-2

DESCRIPTION: Air Disc Rotor - MAXX22T with Dura-Light Hub (U-Style) with 10 Long Studs

AIR DISC BRAKE PADS

Disc Pads Cross Reference

FP PART #	SILVERBACK PART #	OEM	ABEX	BENDIX	DURABRAKE	FRAS-LE	FRITEC	MENTOR	PERF. FRICTION	RAVBESTOS	WABCO	HENDRICKSON	IMT
D1203HK	D1203-8323	PREVOST N8893599 611049	ADB1203FE ADB1203AFE	5013257	BP603	ESD1203	CFD-F067A	N/A	9178.1	ATD1203HD	N/A	N/A	N/A
D1310HK	D1310-8425	VAN HOOL N508206051 N508206052 VOLVO 20976509 21309468 85107768	ADD1310FE ADB1310AFE	N/A	BP622	ESD1310	CFD-F257	68324558 / 68325344 68325346 / 68325901	9190.1	ATD1310HD	N/A	N/A	N/A
D1311HK	D1311-8426	MCI 04-01-1113	ADB1311	N/A	BP641	ESD1311	CFD-F280	KIT225H2BA (MA703) KIT2252H- 2CD (MA761) KIT2252H2DA (MA741)	1311.1	ATD1311HD	N/A	N/A	N/A
D1312HK	D1312-8427	MCI 04-01-1007 04-01-1019 VOLVO 20825594 3093919 3093939 85105485 85506111	ADB1312	N/A	BP601	ESD1312	CFD-F120	MDP5019 / MDP5025 MDP5042 / MDP5061	9183.1	ATD1312HD	N/A	N/A	N/A
PE1369HK	D1369-8479	N/A	ADB1369	802078 K070796	N/A	ESD1369	N/A	N/A	1369.1	ATD1369HD	N/A	S-29152	N/A
D1370HK	N/A	N/A	ADB1370	N/A	N/A	ESD1370	N/A	MMD1370AF	N/A	ATD1370HD	N/A	N/A	N/A
PE1438HK	D1438-8556	N/A	ADB1438	N/A	N/A	ESD1438	N/A	MMD1438AF	N/A	ATD1438HD	12-99-737VT	N/A	1438AF
PE1518HK	D1518-8727	N/A	ADB1518	N/A	N/A	ESD1518	N/A	MMD1518AF	N/A	ATD1518HD	N/A	N/A	N/A
PE1527HK	N/A	N/A	ADB1527	N/A	N/A	ESD1527	N/A	MMD1527AF	N/A	ATD1527HD	N/A	S-30674	N/A
PE1583HK	N/A	N/A	ADB1583	N/A	N/A	ESD1583	N/A	MMD1583AF	N/A	ATD1583HD	N/A	S-305608	N/A
PE1777HK	D1777-9007	N/A	ADB1777	N/A	N/A	ESD1777	N/A	MMDWP22AF	N/A	ATD1777HD	12-999-796	S-32676-1	1777AF
PE2061HK	N/A	N/A	ADB2061	N/A	N/A	ESD2061	N/A	N/A	N/A	ATD2061HD	N/A	N/A	N/A

AIR DISC BRAKE PADS

“CERTIFIED” NEW - AIR DISC BRAKE PADS



PE1369HK

DESCRIPTION: *Premium* Air Disc Brake Pads (Fits ADB22X - Bendix #K070796)



PE1438HK

DESCRIPTION: *Premium* Air Disc Brake Pads (Fits Wabco PAN19)



PE1518HK

DESCRIPTION: *Premium* Air Disc Brake Pads (Fits Wabco PAN17)



PE1527HK

DESCRIPTION: *Premium* Air Disc Brake Pads (Fits Haldex DB22)



PE1583HK

DESCRIPTION: *Premium* Air Disc Brake Pads (Fits Haldex DB22LT)



PE1777HK

DESCRIPTION: *Premium* Air Disc Brake Pads (Fits Wabco PAN22)



PE2061HK

DESCRIPTION: *Premium* Air Disc Brake Pads (Fits MAXX22T, MAXXUS)



D1203HK

DESCRIPTION: *Vortex* Air Disc Brake Pads (Fits Knorr SB Series - Prevost # 611049, Bendix # 5013257)



D1310HK

DESCRIPTION: *Vortex* Air Disc Brake Pads (Fits Meritor Elsa-2)



D1311HK

DESCRIPTION: *Vortex* Air Disc Brake Pads (Fits Meritor EX225)



D1312HK

DESCRIPTION: *Vortex* Air Disc Brake Pads (Fits Meritor D-Lisa)



D1370HK

DESCRIPTION: *Vortex* Air Disc Brake Pads (Fits Meritor EX225L2)



K1369HD

DESCRIPTION: Brake Pad Hardware Kit for PE1369HK (ADB22)



K1777HD

DESCRIPTION: Brake Pad Hardware Kit for PE1777HK (WABCO PAN22)



K2061HD

DESCRIPTION: Brake Pad Hardware Kit for PE2061HK (MAXX22T/MAXXUS)

AIR DISC SPRING BRAKES

“CERTIFIED” NEW - AIR DISC SPRING BRAKES

- 15,000 ft-lbs of pressure with operating temperatures up to 1,500° F
- Manufactured with OE-grade 11 gauge steel.
- Tempered grade 8 bolts are welded with reinforcements to handle stress required without disfiguring under pressure.
- Units are all coated with a salt resistant e-coating.
- Springs are all coated with a thermal-resistant epoxy coating.
- All spring brakes are sealed with a reinforced dust boot for extended life.
- High tensile plungers are zinc coated for corrosion resistance and paired with polycarbonate spring stabilizers



FPK132352

DESCRIPTION: 18/24 Air Disc Spring Brake (ADB22)

OEM #'s

- K043329, K026453, K043294, K126026, K126027, K026451, K043312, K052174, K052175, 5017127, 5017128, 5017129, 5017130, 5017661, 5017662, 5020487, 5020488, 5020489, 802477, TRB1824DT, TRB1824DT051, 1816HTND2-3669, 1824TND2H, GC1824D

SPRING BRAKE CHAMBER: Type 24

SERVICE BRAKE CHAMBER: Type 18

STROKE: 2.25"



FPK041960

DESCRIPTION: 20/24 Air Disc Spring Brake (PAN17, PAN19, PAN22)

OEM #'s

- K041960, K052486, K090236, K034202, K090594

SPRING BRAKE CHAMBER: Type 24

SERVICE BRAKE CHAMBER: Type 20

STROKE: 2.50"

AIR DISC CALIPER REPAIR KITS

“CERTIFIED” NEW - AIR DISC REPAIR KITS - BENDIX ADB22 / ABD22LT



FPK10120

DESCRIPTION: Lever



FPK10129

DESCRIPTION: Bearing Set



FPK10141

DESCRIPTION: Caliper Bridge with Spring



FPK10147

DESCRIPTION: Caliper Bolt



FPK10151

DESCRIPTION: Adjusting Mechanism



FPK10153

DESCRIPTION: Pinion Shaft



FPK10157

DESCRIPTION: Chain



FPK10166

DESCRIPTION: Cover



FPK10194

DESCRIPTION: Guide Pin Kit



FPK10233

DESCRIPTION: Rubber Cap and Shear Nut



FPK10239

DESCRIPTION: Shear Nut



FPK10249

DESCRIPTION: Plug



FPK10250

DESCRIPTION: Actuator Seal



FPK10345

DESCRIPTION: Adjuster Mechanism with Gear & Shear Nut



FPK10359

DESCRIPTION: Plastic Cover



FPK10365

DESCRIPTION: Tappet Kit - 69mm



FPKS19

DESCRIPTION: Spring Clip



FPKY3

DESCRIPTION: Spring



FPKK9

DESCRIPTION: Red Boot



FPKP1

DESCRIPTION: Plastic Lock



FPKS10

DESCRIPTION: Shallow Metal Cap



FPKS16

DESCRIPTION: Deep Metal Cap



FPKT9

DESCRIPTION: Cotter Pin

AIR DISC CALIPER REPAIR KITS

“CERTIFIED” NEW - AIR DISC REPAIR KITS - WABCO PAN17



FPK30102

DESCRIPTION: Adjusting Mechanism



FPK30110

DESCRIPTION: Calibration Bolt



FPK30112

DESCRIPTION: Lever



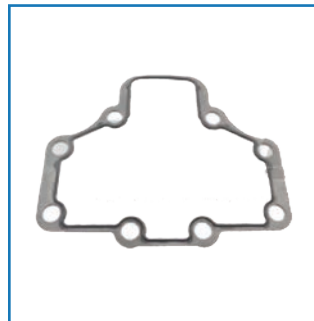
FPK30113

DESCRIPTION: Roller Bearing Set



FPK30143

DESCRIPTION: Guide Pin Kit



FPK30152

DESCRIPTION: Gasket



FPK30158

DESCRIPTION: Push Plate Slotted (RH)



FPK30159

DESCRIPTION: Push Plate Slotted (LH)



FPK30169

DESCRIPTION: Adjusting Mechanism



FPK30172

DESCRIPTION: Bridge with Springs



FPK30194

DESCRIPTION: Metal Cap Set



FPKK19

DESCRIPTION: Seal (Yellow)



FPKK20

DESCRIPTION: Adjusting Mechanism



FPKC15

DESCRIPTION: Screw Assembly

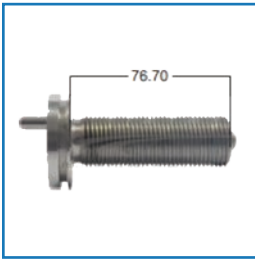


FPKK18

DESCRIPTION: Green Boot

AIR DISC CALIPER REPAIR KITS

“CERTIFIED” NEW - AIR DISC REPAIR KITS - WABCO PAN19, PAN22



FPK30109

DESCRIPTION: Calibration Bolt



FPK30112

DESCRIPTION: Lever



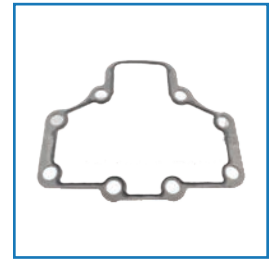
FPK30113

DESCRIPTION: Roller Bearing Set



FPK30123

DESCRIPTION: Guide Pin Kit



FPK30152

DESCRIPTION: Gasket



FPK30154

DESCRIPTION: Push Plate - PAN22 (RH)



FPK30155

DESCRIPTION: Push Plate - PAN22 (LH)



FPK30156

DESCRIPTION: Push Plate - PAN19 (RH)



FPK30157

DESCRIPTION: Push Plate - PAN19 (RH)



FPK30168

DESCRIPTION: Adjusting Mechanism



FPK30171

DESCRIPTION: Bridge with Springs



FPKC15

DESCRIPTION: Screw Assembly (m10 X 1 X 40mm)



FPKK17

DESCRIPTION: Green Boot



FPKK20

DESCRIPTION: Seal



FPKS4

DESCRIPTION: Deep Metal Cap



FPKK18

DESCRIPTION: Green Boot



FPKK19

DESCRIPTION: Yellow Seal



FPKS5

DESCRIPTION: Shallow Metal Cap



FPKY44

DESCRIPTION: Spring

AIR DISC CALIPER REPAIR KITS

“CERTIFIED” NEW - AIR DISC REPAIR KITS - WABCO MAXX22T



FPK30200

DESCRIPTION: Roller Bearing Kit



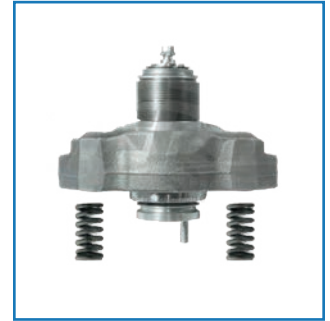
FPK30211

DESCRIPTION: Push Plate (RH)



FPK30212

DESCRIPTION: Push Plate (LH)



FPK30243

DESCRIPTION: Adjusting Mechanism with Springs



FPK30245

DESCRIPTION: Caliper Bridge with Springs



FPK30246

DESCRIPTION: Adjusting Mechanism Kit



FPK30247

DESCRIPTION: Caliper Bolt



FPK30248

DESCRIPTION: Caliper Lever



FPK30253

DESCRIPTION: Cover



FPK30257

DESCRIPTION: Guide Pin Kit



FPK30238

DESCRIPTION: Red Seal



FPK30256

DESCRIPTION: Snap Ring + Washer Kit



FPK61

DESCRIPTION: Green Boot

AIR DISC CALIPER REPAIR KITS

“CERTIFIED” NEW - AIR DISC REPAIR KITS - KNORR SB7



FPK10107

DESCRIPTION: Tappet Kit - 74 mm



FPK10114

DESCRIPTION: Caliper Lever



FPK10128

DESCRIPTION: Bearing Set



FPK10134

DESCRIPTION: Bridge Assembly



FPK10138

DESCRIPTION: Shaft Housing



FPK10147

DESCRIPTION: Caliper Bolt



FPK10149

DESCRIPTION: Adjusting Mechanism with Gear



FPK10151

DESCRIPTION: Adjusting Mechanism



FPK10157

DESCRIPTION: Chain



FPK10158

DESCRIPTION: Cover without Sensor



FPK10163

DESCRIPTION: Cover (3 Socket)



FPK10172

DESCRIPTION: Guide Pin Kit



FPK10198

DESCRIPTION: Caliper Pin Kit



FPK10231

DESCRIPTION: Outside Cap



FPK10233

DESCRIPTION: Rubber Cap and Shear Nut



FPK10237

DESCRIPTION: Lever Bearing



FPK10239

DESCRIPTION: Shear Nut



FPK10248

DESCRIPTION: Dust Cover



FPK10249

DESCRIPTION: Caliper Plug



FPK10250

DESCRIPTION: Actuator Seal



FPK10305

DESCRIPTION: Caliper Repair Kit



FPK10345

DESCRIPTION: Adjuster Mechanism with Gear & Shear Nut



FPK10365

DESCRIPTION: Tappet Kit - 69 mm



FPKS16

DESCRIPTION: Deep Metal Cap



FPKS19

DESCRIPTION: Spring Clip



FPKY3

DESCRIPTION: Spring



FPKT9

DESCRIPTION: Cotter Pin

AIR DISC CALIPER REPAIR KITS

“CERTIFIED” NEW - AIR DISC REPAIR KITS - KNORR SN7



FPK10192

DESCRIPTION:
Guide Pin Kit



FPK10123

DESCRIPTION: Lever



FPK10129

DESCRIPTION:
Bearing Set



FPK10134

DESCRIPTION:
Bridge Assembly



FPK10138

DESCRIPTION: Shaft
Housing



FPK10141

DESCRIPTION:
Caliper Bridge with
Spring



FPK10147

DESCRIPTION:
Caliper Bolt



FPK10149

DESCRIPTION:
Adjusting Mechanism
with Gear



FPK10151

DESCRIPTION:
Adjusting Mechanism



FPK10157

DESCRIPTION:
Chain



FPK10158

DESCRIPTION: Cover
without Sensors



FPK10161

DESCRIPTION:
Potentiometer



FPK10163

DESCRIPTION:
Cover (3 Socket)



FPK10165

DESCRIPTION: Cover



FPK10165

DESCRIPTION: Cover
Pin



FPK10196

DESCRIPTION:
Caliper/Pad Repair Kit



FPK10198

DESCRIPTION:
Caliper Pin Kit



FPK10231

DESCRIPTION:
Outside Cap



FPK10233

DESCRIPTION:
Rubber Cap & Shear
Nut



FPK10237

DESCRIPTION: Lever
Bearing



FPK10239

DESCRIPTION:
Shear Nut



FPK10248

DESCRIPTION: Dust
Cover



FPK10249

DESCRIPTION:
Caliper Plug



FPK10250

DESCRIPTION:
Actuator Seal



FPK10305

DESCRIPTION:
Caliper Repair Kit



FPK10345

DESCRIPTION:
Adjuster Mechanism
with Gear & Shear Nut



FPK10359

DESCRIPTION:
Plastic Cover



FPK10365

DESCRIPTION:
Tappet Kit - 69 mm



FPKS16

DESCRIPTION: Deep
Metal Cap



FPKS19

DESCRIPTION:
Spring Clip



FPKY3

DESCRIPTION:
Spring

2024 AIR DISC BRAKE CATALOGUE



FLEET PRODUCTS LTD. SALES & SUPPORT

- ✉ sales@fleet-products.com
- 🌐 www.fleet-products.ca
- ☎ (877) 243-0442
- 📍 3319 – 114 Avenue SE
Calgary, AB, T2Z 3X2



BC FLEET PRODUCTS INC. SALES & SUPPORT

- ✉ bcsales@fleet-products.com
- 🌐 www.fleet-products.ca
- ☎ (877) 945-0901
- 📍 Unit 104, 1533 Broadway Street
Port Coquitlam, BC, V3C 6N9