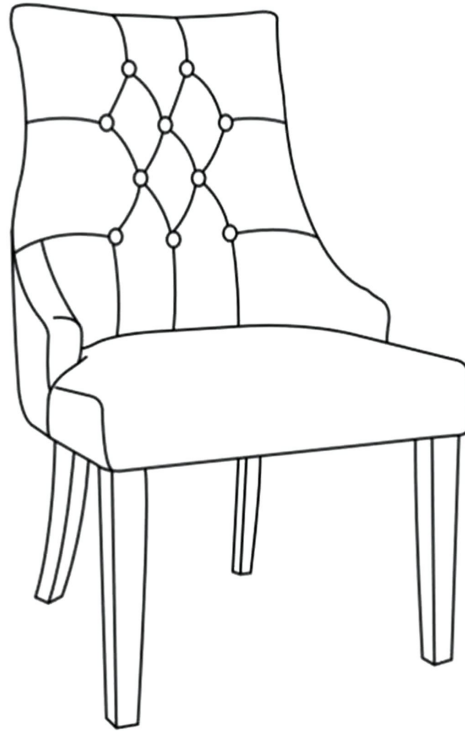




— Thank you for buying the Duke Dining Chair



Before you start:

Unpack carefully

- Take care when unpacking and assembling your chair as damaged or scratched items cannot be returned
- Do not use sharp objects
- Be careful not to dispose of the enclosed assembly kit
- Please retain all packaging until you are 100% happy with your chair

Before and during assembly

- Make sure all items are accounted for and clearly laid out before starting
- Make sure you have enough space to assemble the chair safely
- Place all parts on a soft and flat surface to avoid damage
- Put all bolts in before fully tightening
- Do not use power tools or overtighten any fittings as this can cause damage
- Carefully trim off any loose threads on upholstered chairs

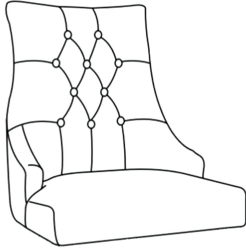
Caution

- This chair is designed to seat one person only
- Keep small parts, plastic bags and film away from children



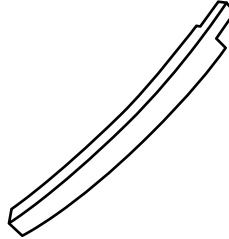
— In the box

A x 1



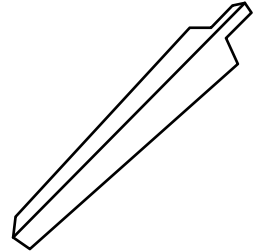
Seat

B x 2



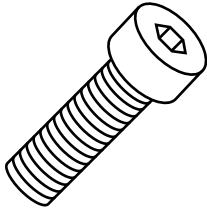
Back Leg

C x 2



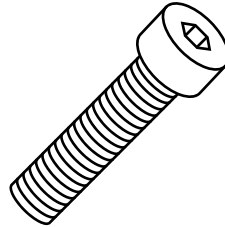
Front Leg

D x 4



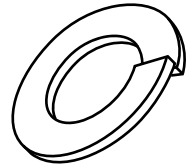
Bolt M8x45mm

E x 4



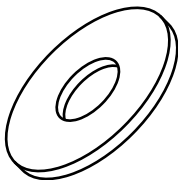
Bolt M8x60mm

F x 8



Spring Washer 13mm

G x 8



Flat Washer 22mm

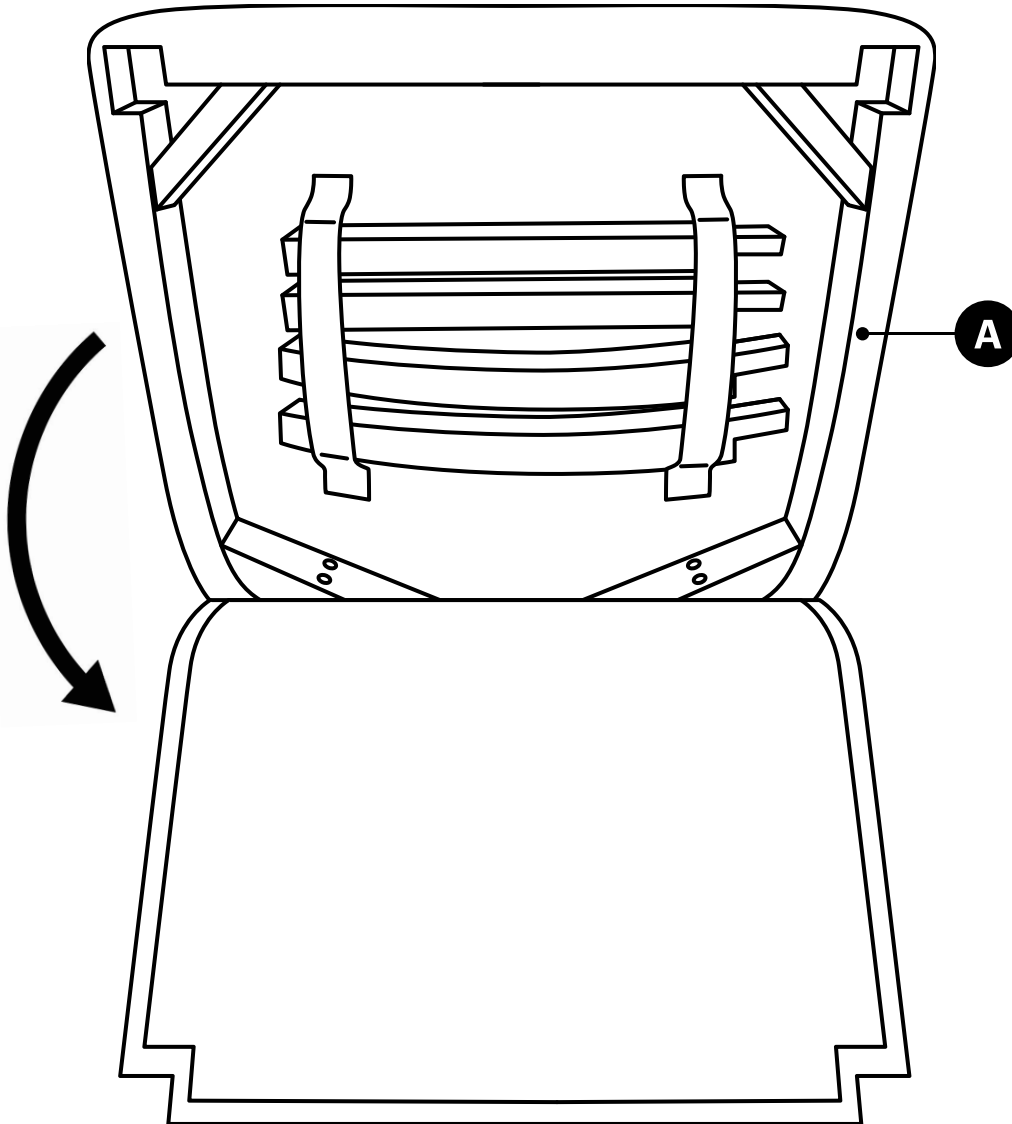
H x 1



Allen Key 6mm

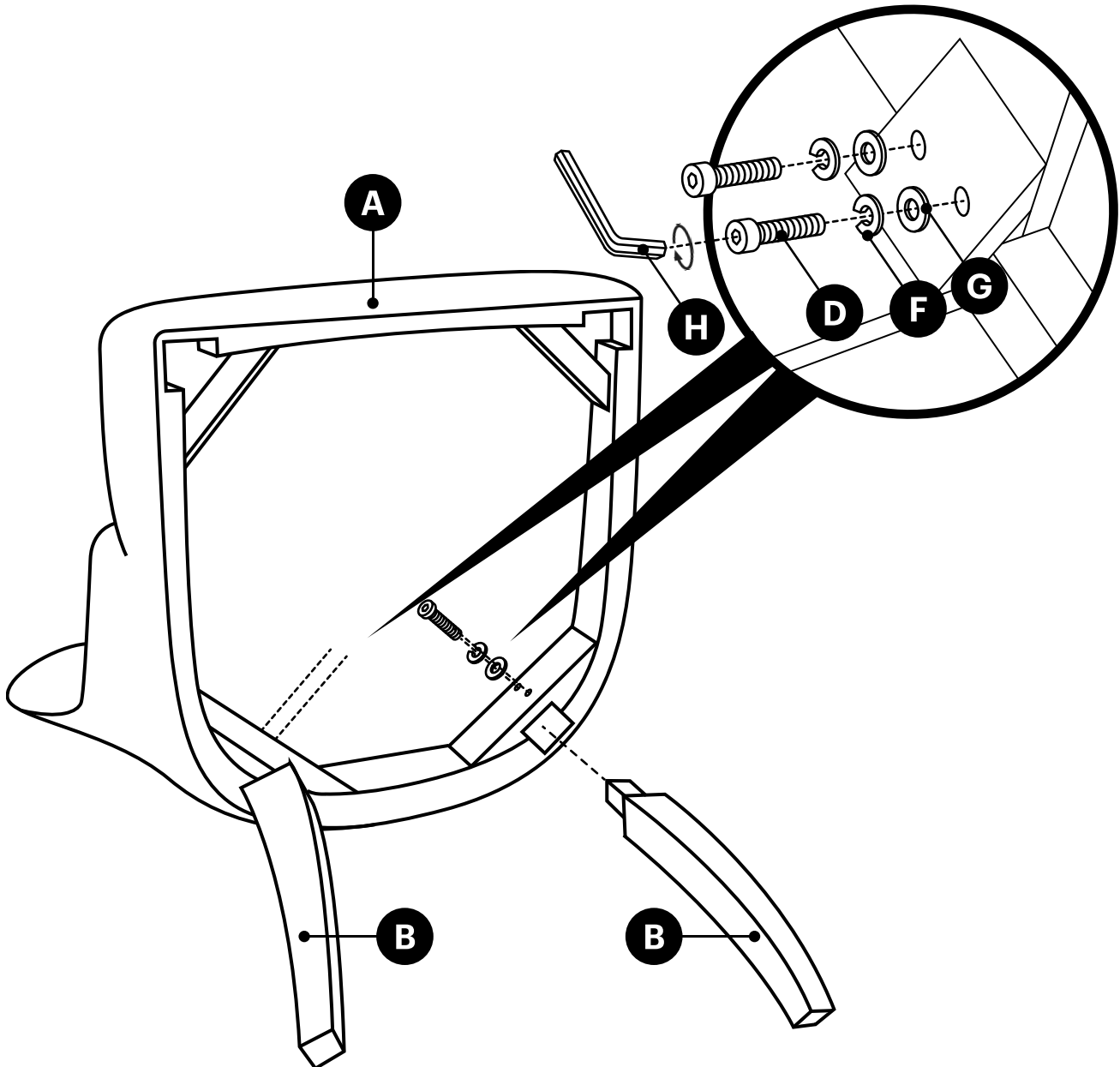


- 1** Open the dust cover. Find the legs underneath the seat.



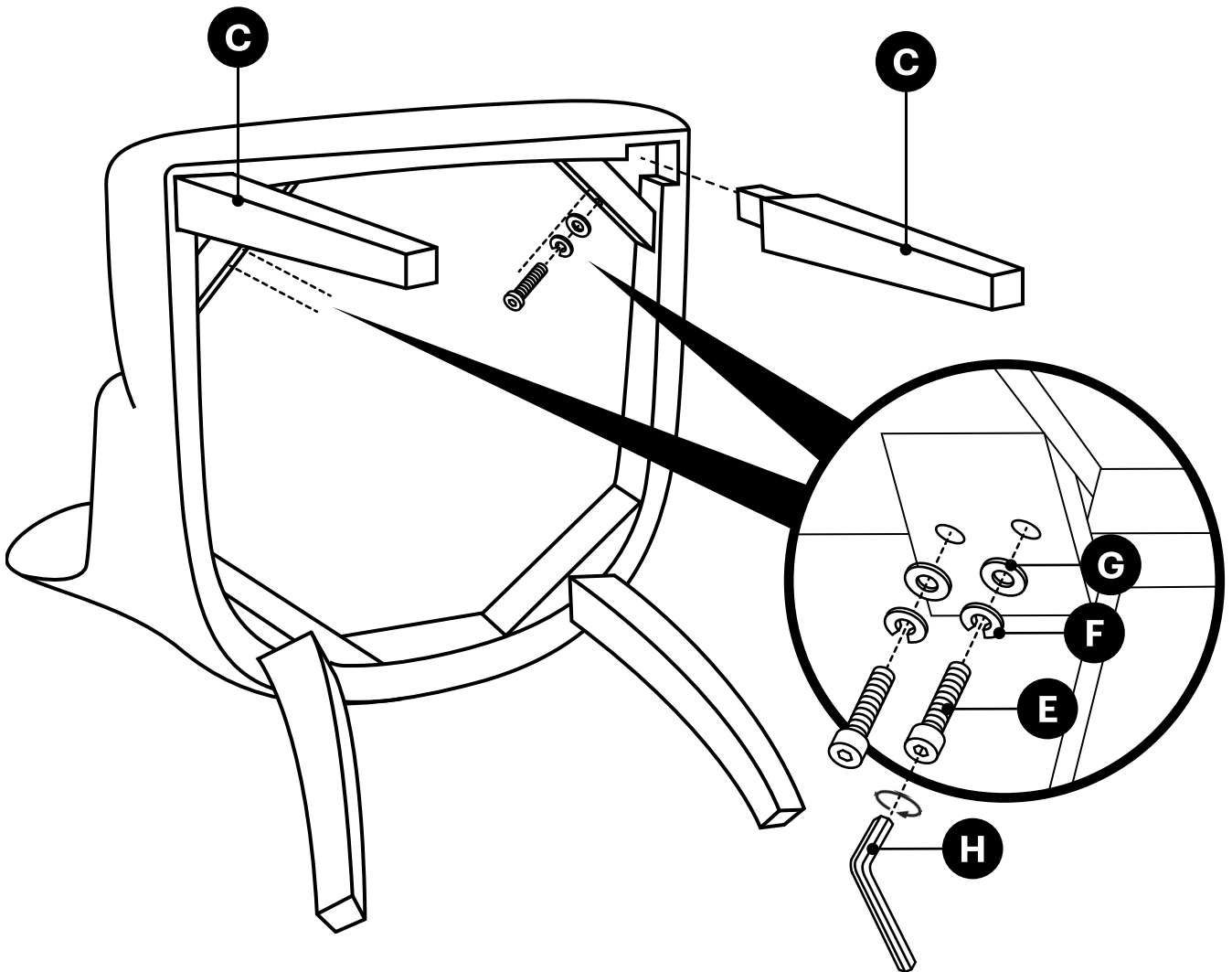


- 2** Attach the back legs to the seat using the bolts and washers as shown, **but do not fully tighten.**





- 3** Attach the front legs to the seat using the bolts and washers as shown, **but do not fully tighten.**



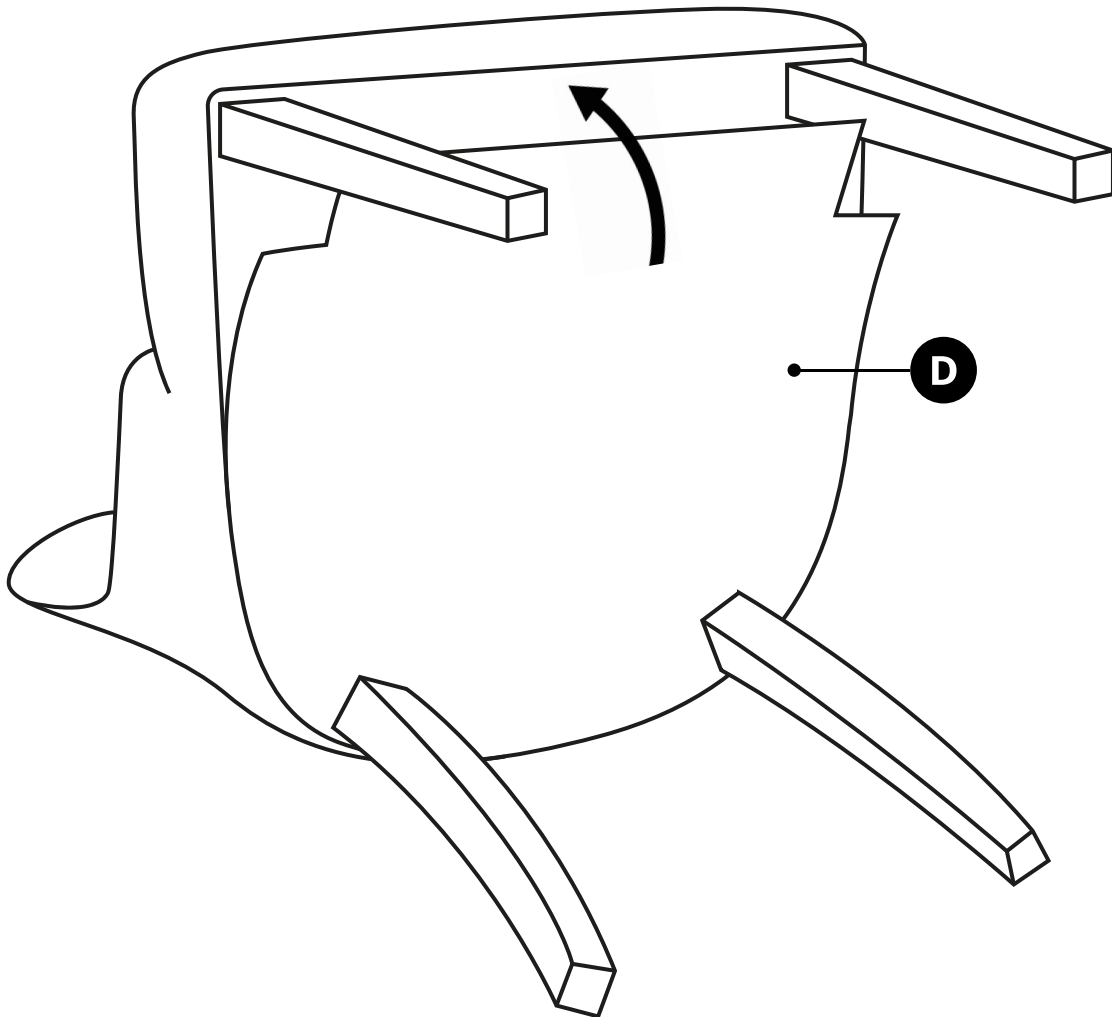


- 4** Place the chair upright on a flat surface. Hold the chair and move it side to side until the legs are level. **Then fully tighten all bolts.**



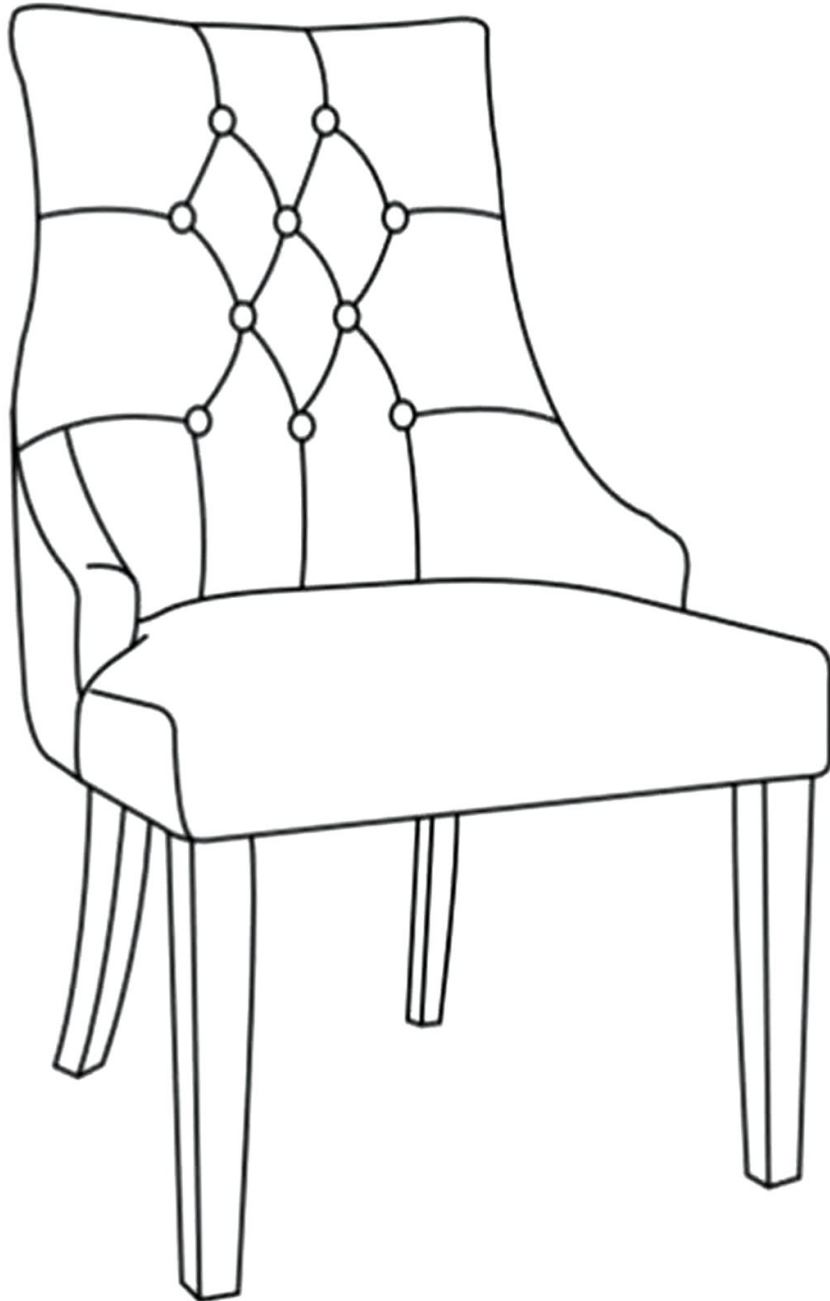


5 Re-attach the dust cover underneath the chair.





6





— **Important information - please read before use**



Upholstery and appearance

- Every effort has been made to ensure each piece of furniture matches
- The materials used may have variation in colour and grain – this is a natural characteristic of the material and not a fault
- If the upholstery is creased on delivery, allow it to settle at room temperature
- Creasing in seats and back cushions may appear over time – this is a natural characteristic of the material and not a fault
- Upholstery can have a pile in the weave and look different from various angles and lighting – this is a natural characteristic of the material and not a fault

Cleaning your furniture

- Do not use household cleaning products, bleaches, solvent based cleaners, detergents, corrosives, scourers or abrasives, which can damage surfaces and upholstery
- Dust and vacuum your furniture on a weekly basis with the appropriate upholstery attachment
- Use a clean, soft, lint-free cloth slightly dampened with water to remove dirt or body oils
- For tougher stains, use a soft cloth with a little non-alkaline, non-detergent soap

Caring for your furniture

- Remove spills immediately – do not rub stains and spills, blot them first
- Avoid placing damp clothing, wet towels or printed newspapers directly on the upholstery
- Avoid placing hot cups or plates directly onto the furniture as this can damage the upholstery
- Avoid strong sunlight (such as through patio doors and windows), as this can cause discolouration, fading or surface degradation over time
- Avoid strong sunlight on chrome finishes as this can magnify the heat of the sun
- Avoid sitting on the edge of the cushions as this can cause distortion or permanent wear
- Do not sit on the arms
- Avoid sharp objects such as studs, buckles, jewellery, heels, toys or a pet's claws on the upholstery as this can cause damage
- Greasy and oily hair products can damage upholstery
- Light-coloured upholstery can be at risk of discolouration due to dye transfer from dark or strong-coloured clothing, cushions and throws

To avoid structural damage

- Do not stand or jump on the chair
- Do not rock on the chair, or lean back with only two legs on the ground
- Do not use the chair unless all the bolts and screws are fully tightened
- Regularly tighten the bolts to avoid damage and maintain stability and strength

This chair is for indoor, residential use only.

For more information and support, visit help.furniturechoice.co.uk