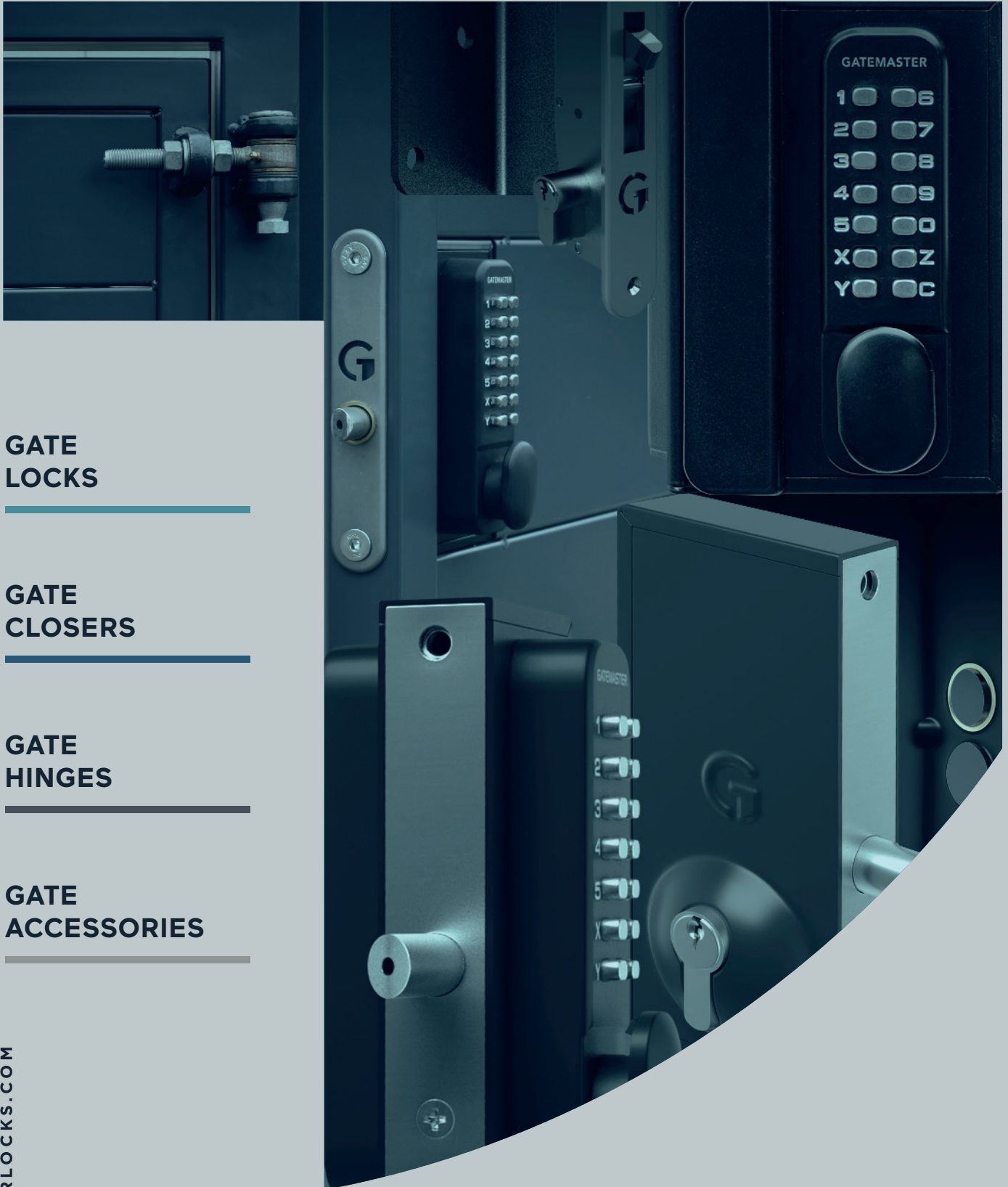


# LOCKS & HARDWARE 2023-24



**GATE  
LOCKS**

---

**GATE  
CLOSERS**

---

**GATE  
HINGES**

---

**GATE  
ACCESSORIES**

---

WWW.GATEMASTERLOCKS.COM



**GATEMASTER**

MAKING GATE HARDWARE SIMPLE



Founded in 1995, Gatemaster is the UK manufacturer of innovative ranges of gate locks, closers and hardware for metal and wooden gates.



**Simple innovation**  
Custom-designed for ease-of-use



**Practical performance**  
Built to always get the job done



**Robust construction**  
Products that are built to last for long



**We're all about making things simple, robust and fit for purpose - nothing fancy, just good solid products!**  
We believe this is what you as gate manufacturers are looking for, something that is easy and quick to fit, does its job well and lasts a long time.

We want gate professionals all around the world to see Gatemaster products as your first alternative because of the reliability, durability and convenience in installation.

Get in contact with our specialist sales team for any queries.  
Call +44 (0)1243 558580 Email [sales@gatemasterlocks.com](mailto:sales@gatemasterlocks.com)

MAKING GATE HARDWARE SIMPLE



## We make security solutions that you can trust.

Designed by bringing together our experiences and your feedback, we have made our products reliable, durable and convenient to use.

Whether for your ornamental wrought iron garden gate or on an industrial access gate, we have the products you need.



**Gatemaster Head Office**  
Unit 5 Dickinson Place  
Durban Road Industrial Estate  
Bognor Regis  
West Sussex  
PO22 9QU





As a family-owned business, we want to be the go-to for gate manufacturers. That means we will help you solve your gate problems.

We will guide you through the best lock solution possible. And you can always pick our brains if you have any questions.



## CONTENTS

1. Gate Locks	8
2. Gate Hinges	60
3. Gate Accessories	66
4. Gate Closers	78



We make gate hardware simple so you can do what you do best.





Easy to install for maximum convenience.  
Our range of locks for metal and wooden gates are designed to make life easier for you.

GATE LOCKS



**Superlock Bolt-On Slim & Secure**

The Gatemaster Superlock, our newest range and the slimmest bolt-on lock on the market. Whilst smart and stylish, these locks couple with toughness and durability to be a world-class range.

10



**Select Pro Bolt-On Traditional Look, Quality Feel**

Our original range of gate locks, the Select Pro's traditional square design and long throw is popular around the world.

23



**Weld-In Locks Seamless security**

A weldable lock range for any steel gate, giving an unobtrusive and highly secure solution.

36



**Wooden Gate Locks Timber Solutions**

Our locks for wooden gates take the nature of timber into consideration, providing ultimate adjustability and reliability.

42



**Mortice Lock Concealed Security**

The Gatemaster Mortice Hook lock is a robust all-stainless steel mortice lock designed for fitting into steel box section.

50



**Electric Locks Electro-Magnetic Power**

Our electro-magnetic lock comes fitted with simple mounting brackets, ensuring an easy way to incorporate electronic locking into any gate.

54



# Superlock Range Slim & Secure

The Superlock range is the hero of our gate locks. Made to make installations easier for you, it is the slimmest lock on the market and only requires three holes to fit. Smart. Stylish. Tough. Durable.



BLD Latch Deadlock	12
BD Deadlock	13
BK Keylatch	14
BDG Digital Double Sided	15
BDGS Digital Single Sided	16
BQK Key Quick Exit	17
BQDG Digital Quick Exit	18
BQNA Quick Exit No Access	19
Superlock accessories	20



## SUPERLOCK SPECIFICATIONS

- 1**

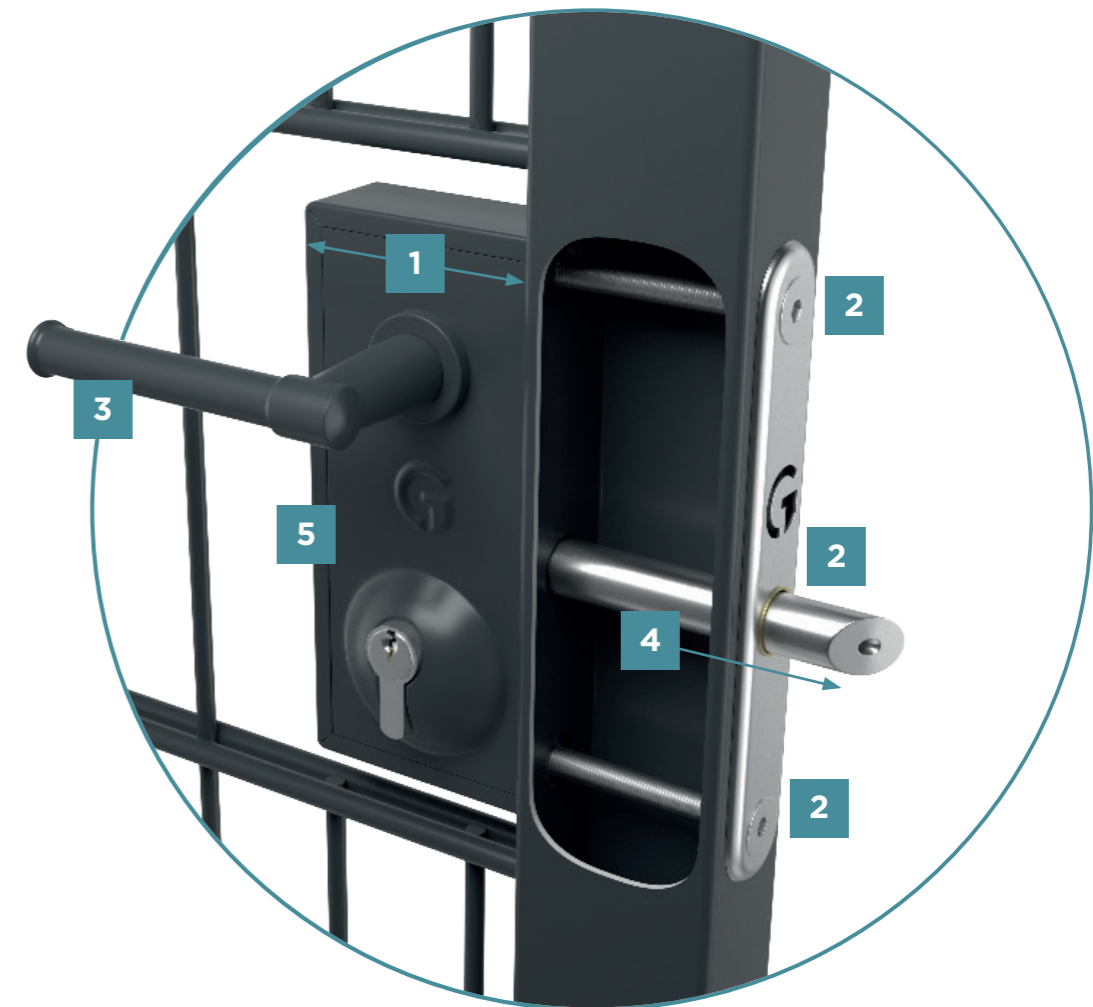
Slim profile means the lock fits into small gaps
- 2**

Easy fitting, just drill 3 holes and bolt the lock on
- 3**

Available with a range of hardware options
- 4**

Made with removable latch bolt for easy installation
- 5**

Stainless steel for maximum corrosion resistance





## Superlock bolt-on latch deadlock

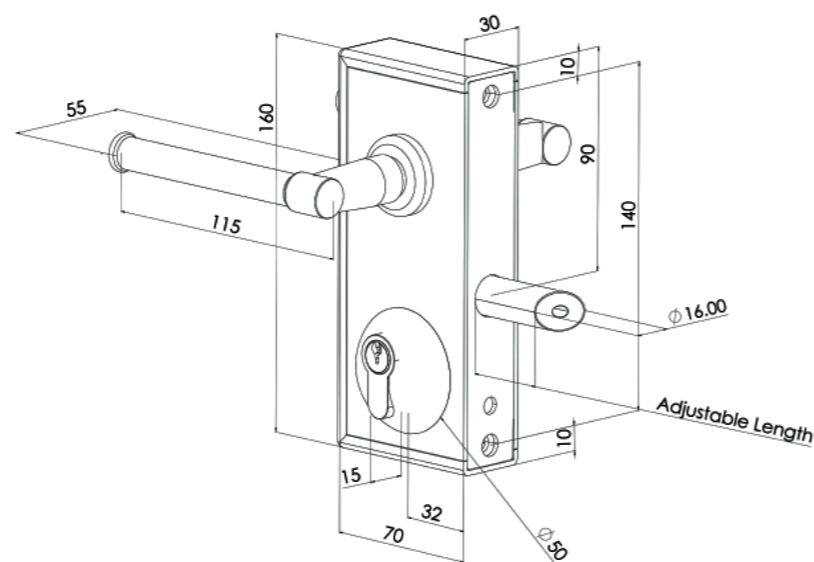
The bolt-on latch deadlock has both the convenience of a latch and the security of a deadlock, while its slim 70mm width means the lock will fit into most gate designs.

- Secure - single stainless steel latchbolt which latches 15mm into the gate post and then moves to 30mm when deadlocked.
- Marine grade - made from stainless steel and brass, the lock is guaranteed to stand up to all weathers.
- Adaptable - slim 70mm case means this lock can suit a variety of different gate styles.
- Convenient - latchbolt is adjustable in length and can be rotated for left or right handed gates.
- Reliable - supplied with a guide plate with brass bearing to ensure the lock lasts!
- Available in two sizes - 1030 for 10 to 30mm flat bar or box section gate frames and 4060 for 40 to 60mm gate frames.
- Supplied with handles - two styles available: a profiled lever style handle (P) or a traditional handle (T).
- Use with the Superlock keep to increase security and product life (see p. 20).



### AVAILABLE VERSIONS

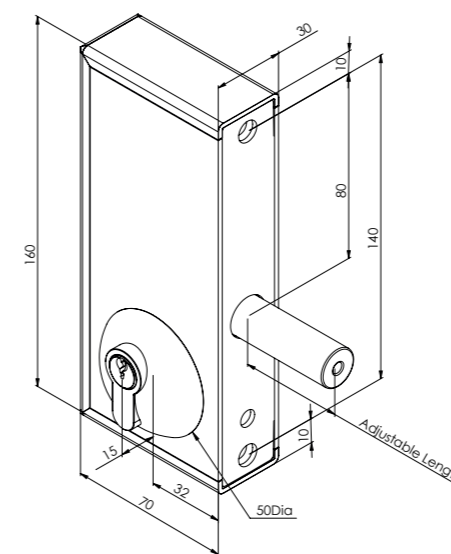
BLD1030P	To fit 10-30mm - profiled handle
BLD4060P	To fit 40-60mm - profiled handle
BLD1030T	To fit 10-30mm - traditional handle
BLD4060T	To fit 40-60mm - traditional handle



## Superlock bolt-on deadlock

The deadlock version of the Superlock has a single 15mm locking action for maximum security and simplicity, while its slim 70mm depth means the lock will fit into most gate designs.

- Easy to fit - slim 70mm wide lock case along with adjustable and removable deadbolt ensure easy fitting to gates.
- Simple deadlock action - gate remains open until key is turned.
- Marine grade - made from stainless steel and brass to ensure maximum corrosion resistance.
- Convenient - deadbolt is adjustable in length for precise fitting on site.
- Reliable - supplied with a guide plate with brass bearing to ensure the lock lasts!
- Available in two sizes - 1030 for 10 to 30mm flat bar or box section gate frames and 4060 for 40 to 60mm gate frames.



### AVAILABLE VERSIONS

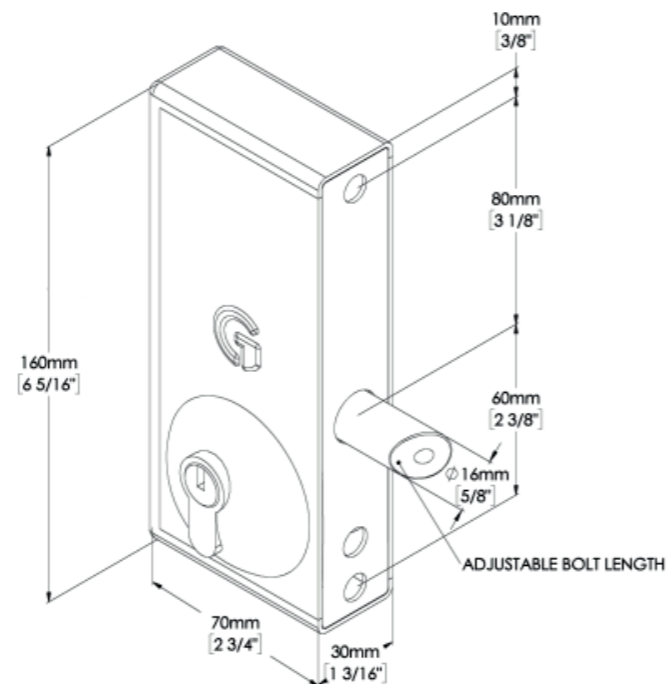
BD1030	To fit 10-30mm frame
BD4060	To fit 40-60mm frame



## Superlock keylatch

The BK Keylatch is suitable for metal gate frames and is easy to install as it bolts on. The BK is installed like the rest of the Superlock range; simply drill three holes, one for the latch bolt and two for the fixing bolts, and fit it to the gate.

- Made from stainless steel for ultimate outdoor durability.
- Simple key operated latch, slam the gate shut and open with the key.
- Easy to fit - slim 70mm wide lock case along with adjustable and removable latch bolt ensure easy fitting to gates.
- Latch bolt is adjustable in length for precise fitting on site. Easy to rotate for left and right handed gates.
- Supplied with bolt support plate and gate post strike plate.
- Available in two sizes - 1030 for 10 to 30mm flat bar or box section gate frames and 4060 for 40 to 60mm gate frames.

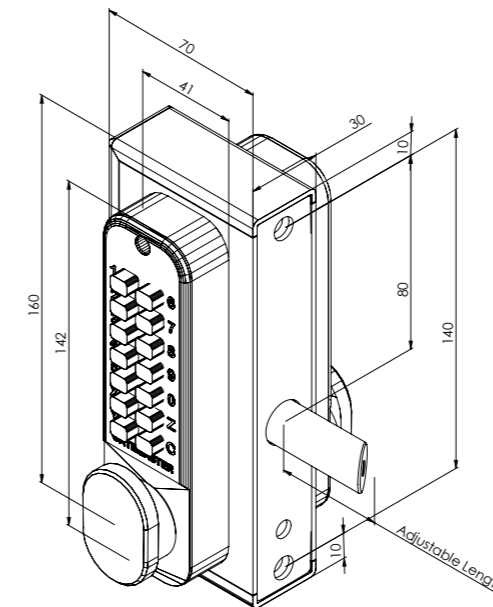


### AVAILABLE VERSIONS

BK1030	To fit 10-30mm frame
BK4060	To fit 40-60mm frame



## Superlock digital double sided



The digital double sided Superlock combines the convenience of a mechanical keypad with the ease of installation of the Superlock range. To fit, simply drill three holes in the gate frame and bolt the lock on.

- No power needed - mechanical keypads for a quick and easy install.
- Adaptable - slim 70mm case means this lock can suit a variety of different gate styles.
- Secure - latchbolt projects up to 15mm into the gate post which increases security and gives more tolerance.
- Long lasting - stainless steel mechanism and bolt support plate with brass bearing ensures lock will last!
- Adjustable - latchbolt can be adjusted in length and set to left hand or right hand.
- Auto-latching - close the gate and the latchbolt latches into the gate frame. To open the gate -enter the code and turn the handle.
- Keypad on both sides - also available as a keypad and rear handle, see next page.
- Gate post strike plate supplied for smooth latching action.
- Use with a Superlock keep to increase security and product life (see p. 20).

### AVAILABLE VERSIONS

BDG1030	To fit 10-30mm frame
BDG4060	To fit 40-60mm frame



**COMING SOON**  
Lever handle option for our digital locks - both the single- and double-sided versions. Register your interest and enquire now!





## Superlock digital single sided

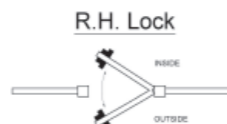
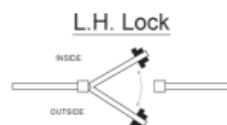
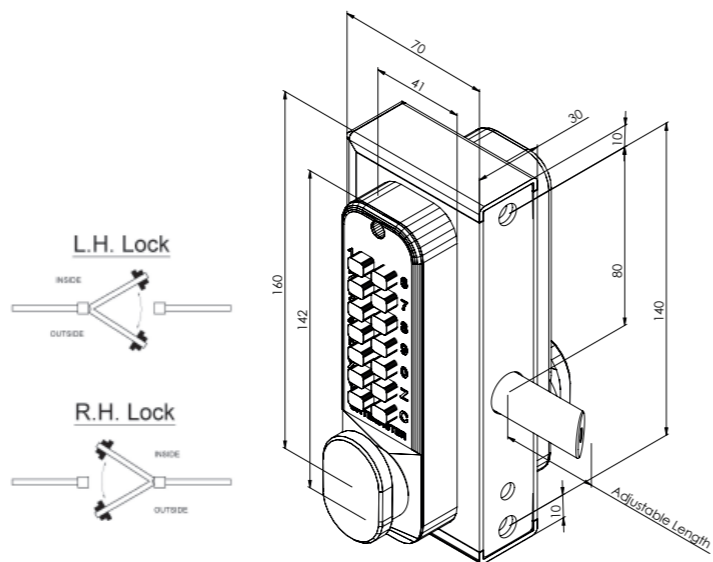
The slim Superlock digital single sided is perfect for fitting to box section metal gate frames. Simply bolt the lock onto the gate frame and adjust the latchbolt to suit your gate.

- Convenient - digital access on one side and a rear handle makes accessing the gate convenient.
- Easy to fit - slim 70mm case designed to fit a wide range of gate applications.
- Secure - stainless steel latchbolt which latches 15mm into the gate post.
- Long lasting - stainless steel mechanism and bolt support plate with brass bearing ensures lock will last!
- Adaptable - Latchbolt can be adjusted for different box section size
- Keypad one side, handle on the other - also available with keypad both sides, see page 15.
- Gate post strike plate supplied for smooth latching action.
- Use with the Superlock keep for extra security and product life (see p. 20).
- **NEW!** This lock now has a hold-back function, making it even more convenient to use.



LEFT HAND LOCK SHOWN

**NOW COMPATIBLE WITH THE SUPERLOCK SHROUD (P. 21) TO PREVENT OUTSIDERS FROM OPENING YOUR GATE!**



**COMING SOON**  
Lever handle option for our digital locks - both the single- and double-sided versions. Register your interest and enquire now!

### AVAILABLE VERSIONS

BDGS1030L	To fit 10-30mm, left hand
BDGS4060L	To fit 40-60mm, left hand
BDGS1030R	To fit 10-30mm, right hand
BDGS4060R	To fit 40-60mm, right hand



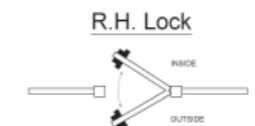
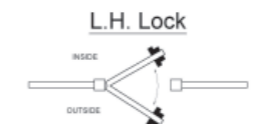
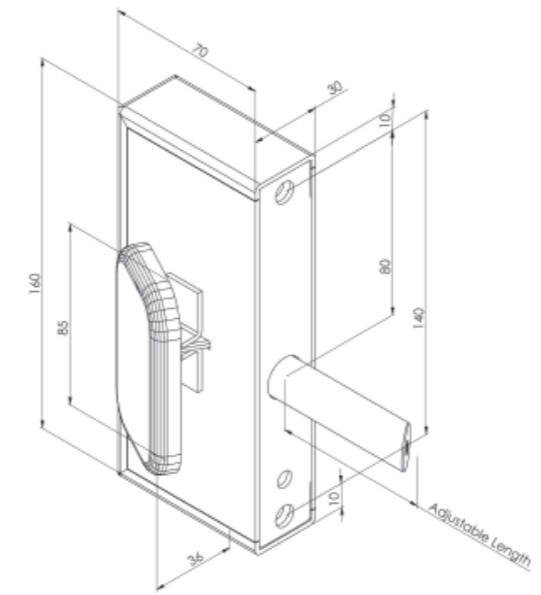
## Superlock bolt-on quick exit key access

Require a gate lock that facilitates a quick exit from a gate? The Superlock quick exit has a green push pad to allow for easy exit. This version of the lock comes with a key entry, a digital keypad entry is also available (see page 18).

- Secure - stainless steel latchbolt that latches 15mm.
- Adaptable - slim 70mm case means this lock can suit a variety of different gate styles.
- Reliable - stainless steel construction for corrosion resistance and supplied with a bolt support plate to increase product life.
- Available in two sizes - 1030 for 10 to 30mm flat bar or box section gate frames and 4060 for 40 to 60mm gate frames.
- Gate post strike plate supplied for smooth latching action.
- A shroud is also available to restrict access to the pad from outside the gate (see p. 21).
- Use with the Superlock keep to increase security and product life (see p. 20).



RIGHT HAND LOCK SHOWN



### AVAILABLE VERSIONS

BQK1030L	To fit 10-30mm - left hand
BQK4060L	To fit 40-60mm - left hand
BQK1030R	To fit 10-30mm - right hand
BQK4060R	To fit 40-60mm - right hand





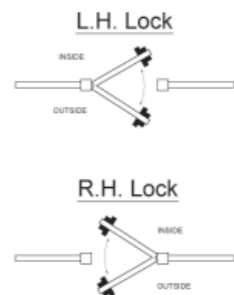
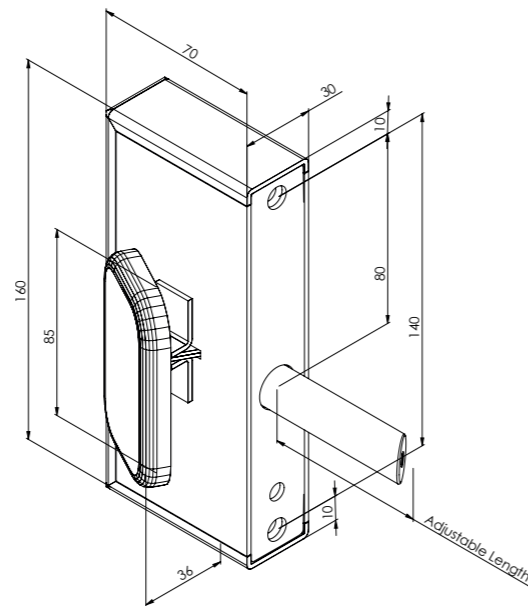
## Superlock bolt-on quick exit digital access

Require a gate lock that facilitates a quick exit from a gate? The Superlock quick exit has a green push pad to allow for easy exit, this version of the lock comes with a digital keypad entry, a key entry version is also available (see page 17).

- Secure - stainless steel latchbolt that latches 15mm.
- Adaptable - slim 70mm case means this lock can suit a variety of different gate styles.
- Reliable - stainless steel lock for corrosion resistance and supplied with a bolt support plate to increase product life.
- Available in two sizes - 1030 for 10 to 30mm flat bar or box section gate frames and 4060 for 40 to 60mm gate frames.
- Gate post strike plate supplied for smooth latching action.
- A shroud is also available to restrict access to the pad from outside the gate (see p. 21).
- Use with the Superlock keep to increase security and product life (see p. 20).



RIGHT HAND LOCK SHOWN



### AVAILABLE VERSIONS

BQDG1030L	To fit 10-30mm, left hand
BQDG4060L	To fit 40-60mm, left hand
BQDG1030R	To fit 10-30mm, right hand
BQDG4060R	To fit 40-60mm, right hand



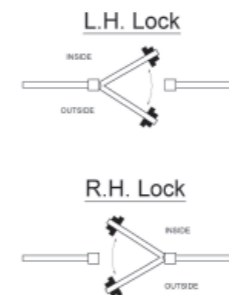
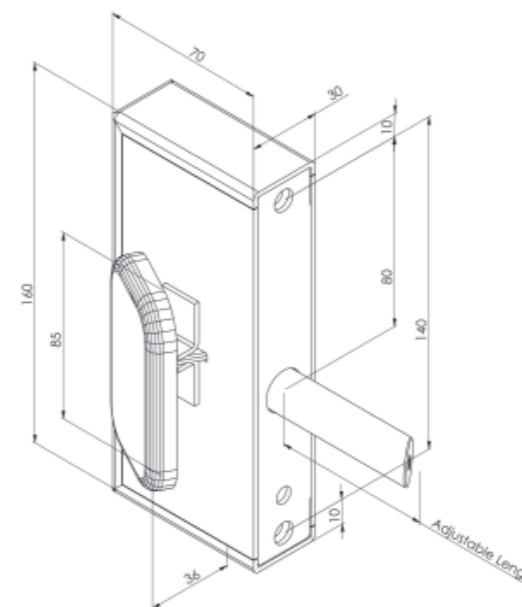
## Superlock bolt-on quick exit no outside access

Where a gate is only used for exiting a property, the No Access Quick Exit lock is a perfect solution. With a green quick exit pad from the inside only, it provides a secure and unobtrusive locking mechanism.

- Adaptable - the slim 70mm case depth means this lock can suit a variety of gate styles.
- Secure - stainless steel latchbolt that latches 15mm.
- Reliable - stainless steel construction for corrosion resistance and supplied with a bolt support plate to increase product life.
- Available in two sizes - 1030 for 10 to 30mm flat bar or box section gate frames and 4060 for 40 to 60mm gate frames.
- Gate post strike plate supplied for smooth latching action.
- A shroud is also available to restrict access to the pad from outside the gate (see p. 21).
- Use with a Superlock keep to increase security and product life (see p. 20).



RIGHT HAND LOCK SHOWN



### AVAILABLE VERSIONS

BQ1030LNA	To fit 10-30mm, left hand
BQ4060LNA	To fit 40-60mm, left hand
BQ1030RNA	To fit 10-30mm, right hand
BQ4060RNA	To fit 40-60mm, right hand





## Superlock keep

This keep works with all of the Superlock range. Simply mount the gate slam plate onto the gate frame when fixing the lock and use the expanding fasteners to fix the keep onto the gate post.

- Secure - prevents access to the latchbolt
- Versatile - gate keep is simple and easy to fit to a wide range of applications.
- Improves gate appearance - slim design improves gate appearance.

**BSK** Superlock keep



## Superlock interlocking keep

The clever interlocking design of this keep means that the gate cannot be levered off the post once the gate is closed. One section bolts in front of the lock and the post bracket is easy to fit with 2 expanding fasteners.

- Secure - prevents the gate being levered or spread apart.
- Easy to fit - simple and easy fitting on a wide range of applications.
- Improves gate appearance - slim design improves gate appearance.

**BSKS** Superlock interlocking keep

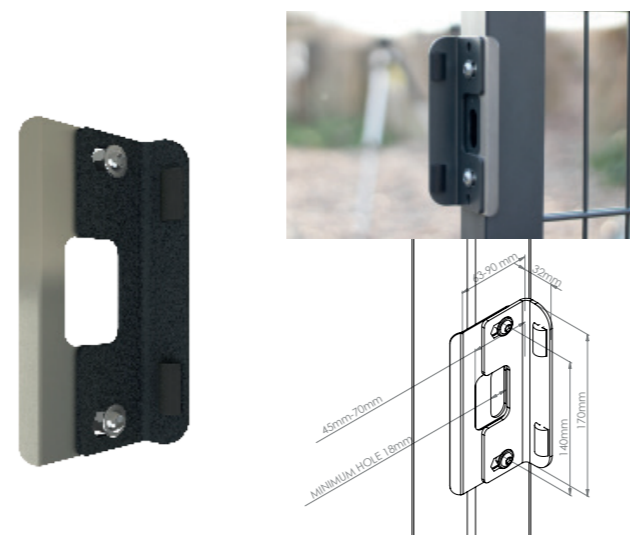


## Superlock gapless keep

The gapless keep is a great option when there is a small gap between the gate and the post, as it acts as both a security measure and a gate stop. Simply drill 2 holes in the post and bolt on with our innovative expanding fasteners.

- Versatile - gate keep is simple and easy to fit to a wide range of applications.
- Secure - prevents access to the latchbolt.
- Improves gate appearance - slim design improves gate appearance.

**BSKG** Gapless keep

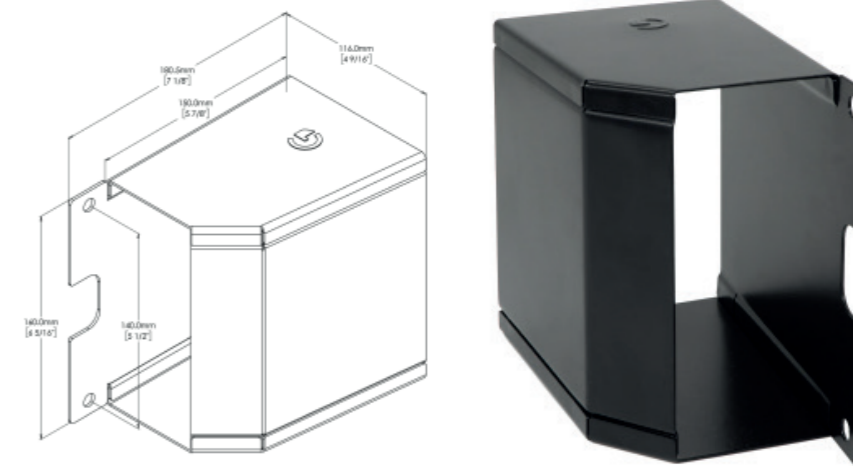


**NEW IMPROVED DESIGN**

## Superlock quick exit shroud

This security shroud is designed to prevent access from the outside of the gate, meaning that intruders cannot reach round and operate the lock. No fixings are required, simply bolt the shroud on in front of the lock. The BQS Security shroud has received a design update, which now makes it compatible with the Superlock Quick exit gate locks (pp. 17 - 19) and now also the single-sided Superlock Digital gate lock (p. 16).

SHOWN IN GATE WITH BQDG (SEE P. 18)

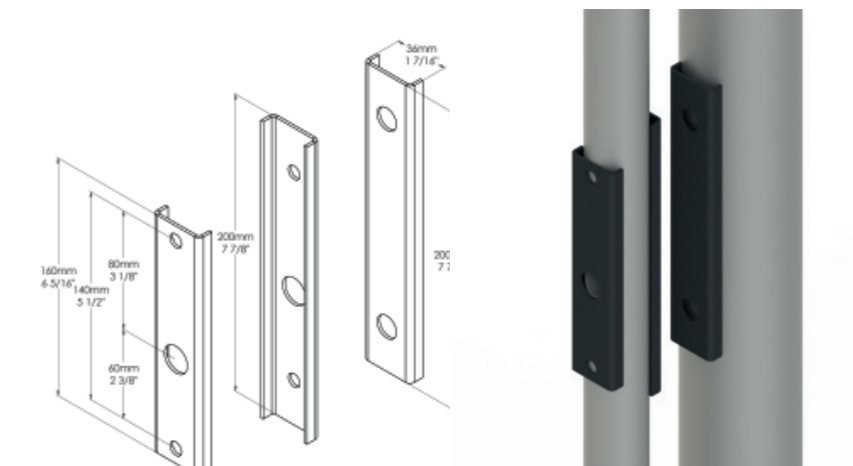


**BQS** Superlock quick exit shroud

## Round bar adapter

The round bar adapter enables any of the Superlock range to be easily fitted to a round gate section. It consists of a gate adapter and a gate post adapter to ensure secure fixing of the Superlock and any of the keeps within the range. The stainless steel construction ensures longevity and corrosion resistance.

SHOWN IN GATE WITH KEEP (BSK) AND BLD LOCK



**AVAILABLE VERSIONS**

RBA	Round bar adapter - lock kit
RBAK	Round bar adapter - lock and post kit





# SUPERLOCK ACCESSORIES

## Superlock handles



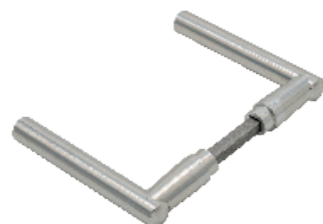
R Round handle set



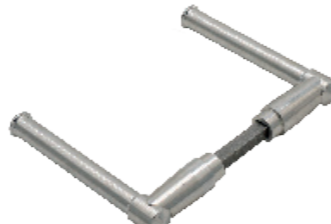
P Profiled handle set



T Twisted handle set



RS Round handle set, silver



PS Profile handle set, silver



SSH Stainless steel handle set



OK Octagon knob handle set

VIEW MORE HANDLE OPTIONS ON PAGE 59

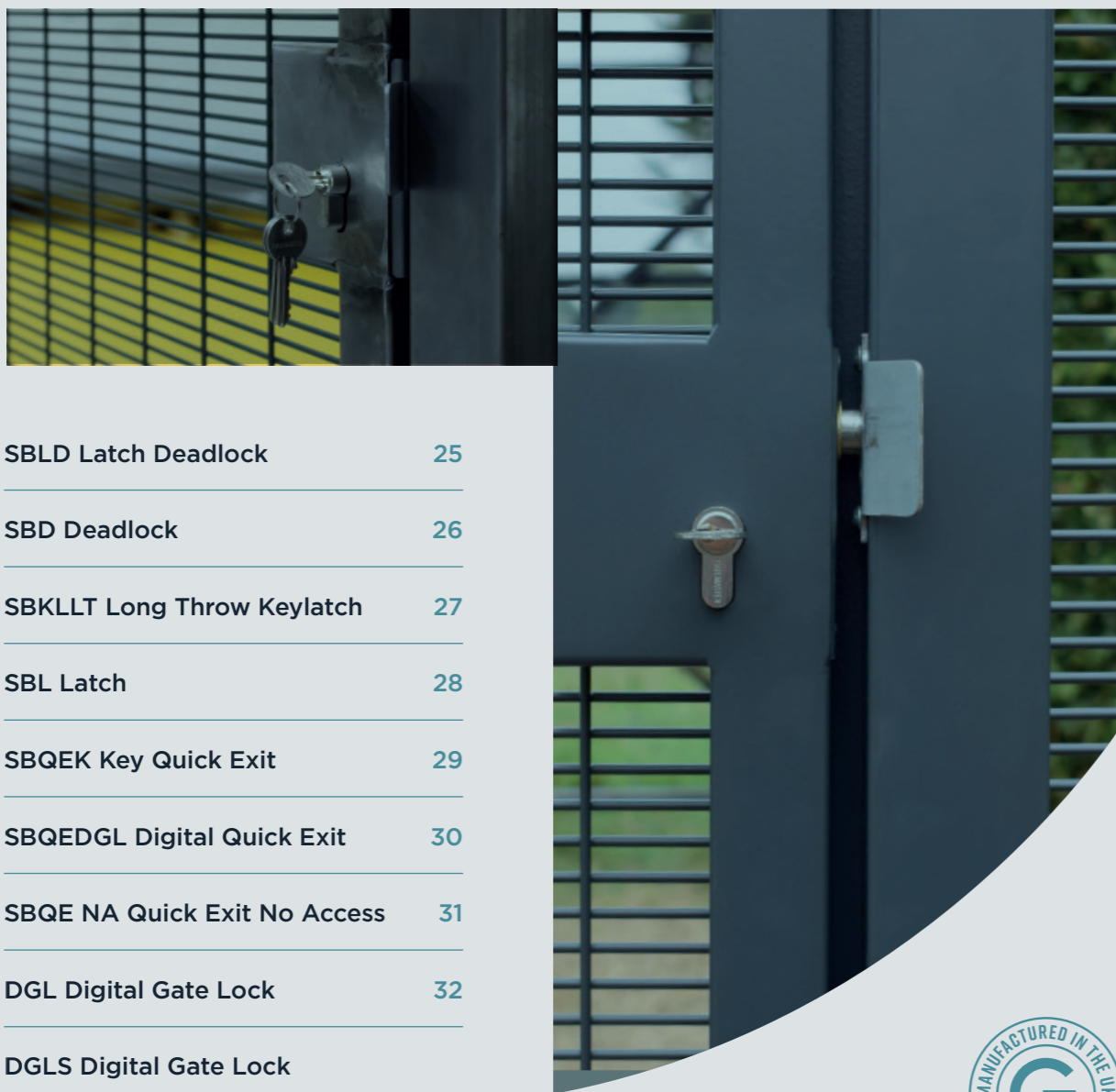




# Select Pro Bolt-on

Our original bolt-on lock range which is still popular with gate professionals today.

From keyed locks to digital keypads, panic exit locks to locking latches, the Select Pro gate locks provide wide-ranging solutions for all gate styles and designs.



SBLD Latch Deadlock	25
SBD Deadlock	26
SBKLLT Long Throw Keylatch	27
SBL Latch	28
SBQEK Key Quick Exit	29
SBQEDGL Digital Quick Exit	30
SBQE NA Quick Exit No Access	31
DGL Digital Gate Lock	32
DGLS Digital Gate Lock Single Sided	33
SBQES Quick Exit Shroud	34



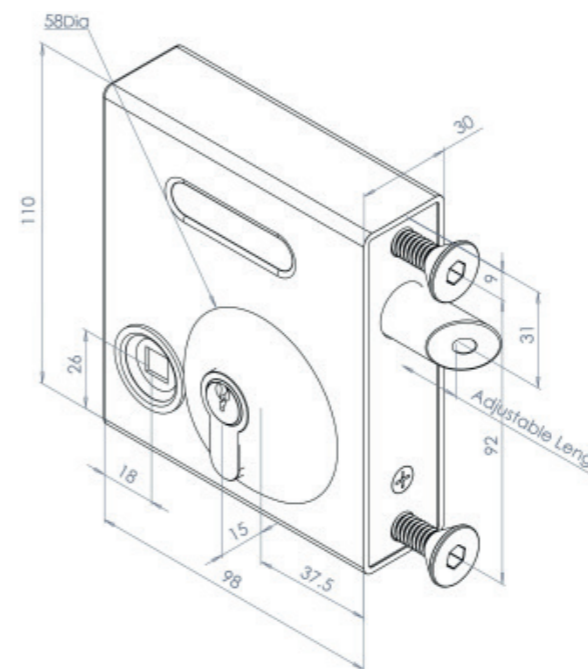
## Select Pro bolt-on latch deadlock

The bolt-on latch deadlock combines the convenience of a latch for day to day use with the security of a deadlock. Use the handles to operate the latch then turn the key to extend the latchbolt to secure the gate.

- Secure - stainless steel latchbolt which latches 13mm into the gate post and then moves 30mm when deadlocked.
- Adaptable - latchbolt is adjustable in length and can be rotated for left or right handed gates.
- Convenient - handle and key can be operated from both sides.
- Reliable - supplied with a guide plate with brass bearing to ensure the lock lasts!
- Available in two sizes - 01 for 10 to 30mm flat bar or box section gate frames and 02 for 40 to 60mm gate frames.
- Supplied with handles - two styles available: a plain lever style (AH) or a more traditional looking handle (TDH).
- Gate post strike plate supplied for smooth latching action.



SHOWN WITH ALLOY HANDLE SET (AH)



SHOWN WITH TRADITIONAL HANDLE SET (TDH)

### AVAILABLE VERSIONS

SBLD1601	10mm - 30mm gate frames
SBLD1602	40mm - 60mm gate frames
SBLD1601AH	10mm-30mm gate frames, AH Handle
SBLD1601TDH	10mm-30mm gate frames, TDH handle
SBLD1602AH	40mm-60mm gate frames, AH Handle
SBLD1602TDH	40mm-60mm gate frames, TDH Handle

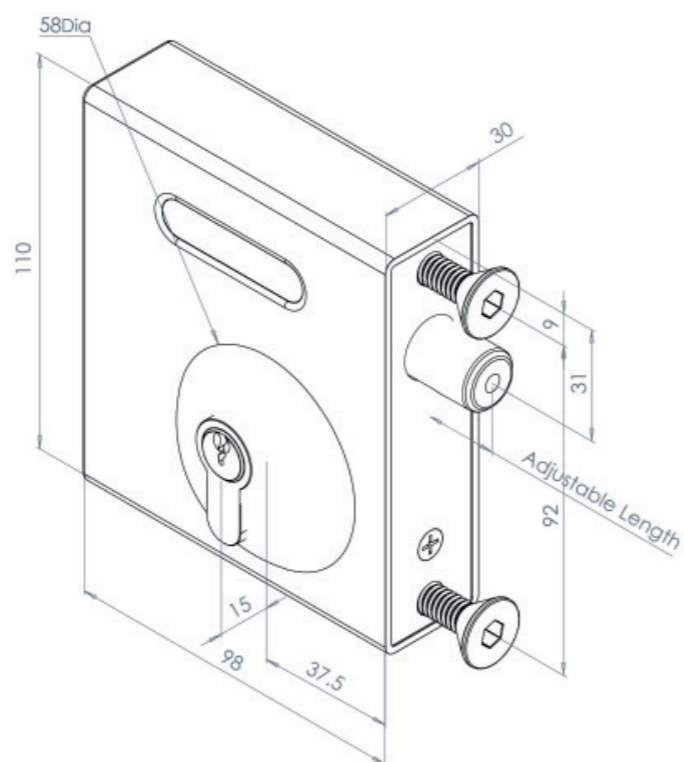




## Select Pro bolt-on deadlock

The bolt on deadlock combines convenience with reliable security. With a stainless steel dead bolt, this lock has a throw of 30mm to lock deep into the gate post ensuring your gate is left secure.

- Simple to fit - adjustable deadbolt allows for precise fitting on site.
- Convenient - lock is accessed via a key on both sides and unlocks with one turn of the key.
- Adaptable - two sizes are available, the O1 version to suit 10mm flat bar to 30mm box section and the O2 version to suit 40 to 60mm box section.
- Reliable - supplied with a deadbolt guide plate to reduce stress on the lock and ensure it lasts!



### AVAILABLE VERSIONS

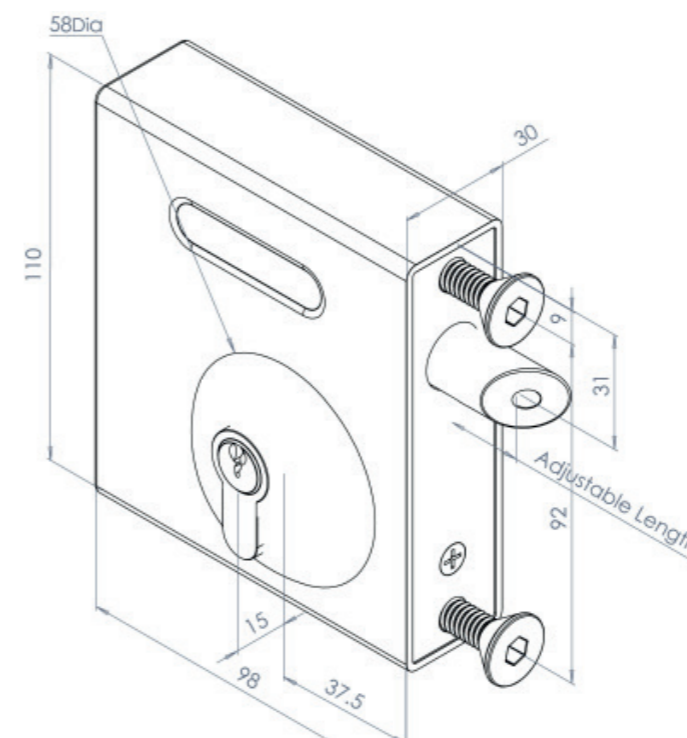
SBD1601	10mm - 30mm gate frames
SBD1602	40mm - 60mm gate frames



## Select Pro bolt-on long throw keylatch

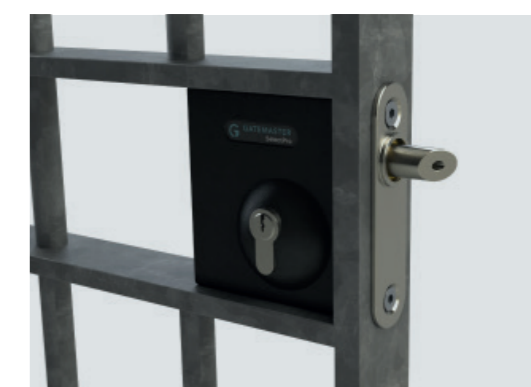
The Select Pro Long Throw Keylatch is ideal for use on communal gates where the gate needs securing every time it is shut. When the gate is closed the lock latches shut and can only be opened with a key.

- Adaptable - latchbolt can be adjusted in length and is suitable for left and right handed gates.
- Secure - stainless steel latchbolt springs a unique 20mm into the gate post, meaning increased security.
- Convenient - keyed both sides for easy access.
- Reliable - supplied with a guide plate with brass bearing to ensure the lock lasts!
- Available in two sizes - O1 for 10 to 30mm flat bar or box section gate frames and O2 for 40 to 60mm gate frames.
- Gate post strike plate supplied for smooth latching action.



### AVAILABLE VERSIONS

SBKLLT1601	10mm - 30mm gate frames
SBKLLT1602	40mm - 60mm gate frames



## Select Pro bolt-on latch

With this gate lock, you can latch your gate shut and open it with the handles. With no locking facility this latch is perfect for holding a gate shut, and is commonly used on housing developments and playgrounds.

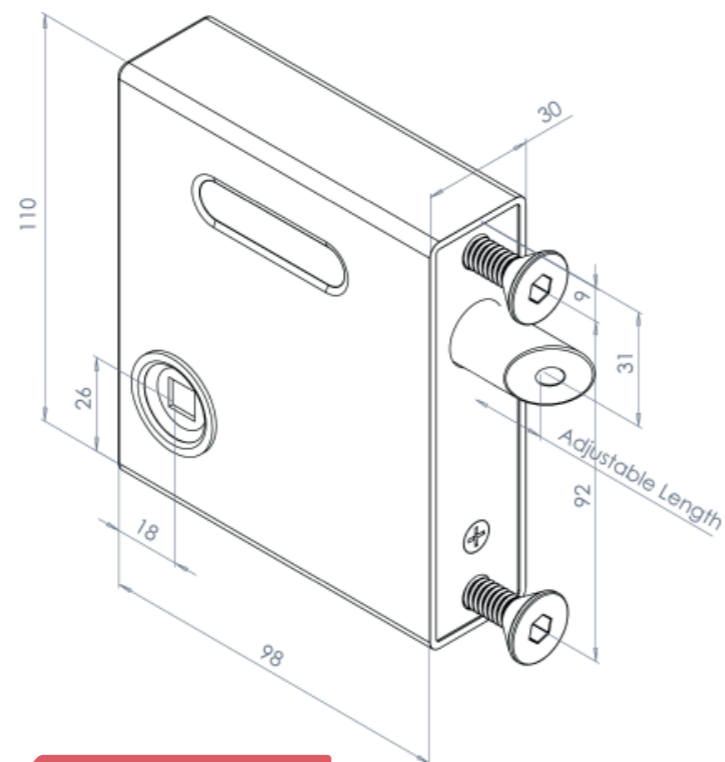
- Stainless steel latchbolt springs 13mm into the gate post to hold the gate closed.
- Adaptable - latchbolt is adjustable in length and can be rotated for left or right handed gates.
- Reliable - supplied with a guide plate with brass bearing to ensure the lock lasts!
- Available in two sizes - 01 for 10 to 30mm flat bar or box section gate frames and 02 for 40 to 60mm gate frames.
- Supplied with handles - two styles available: a plain lever style (AH) or a traditional style handle (TDH).
- Gate post strike plate supplied for smooth latching action.



SHOWN WITH TRADITIONAL HANDLE SET (TDH)

### AVAILABLE VERSIONS

SBL1601	10-30mm gate frames, no handle
SBL1601AH	10-30mm gate frames, AH handle
SBL1601TDH	10-30mm gate frames, TDH handle
SBL1602	40-60mm gate frames, no handle
SBL1602AH	40-60mm gate frames, AH handle
SBL1602TDH	40-60mm gate frames, TDH handle



SHOWN WITH ALLOY HANDLE SET (AH)

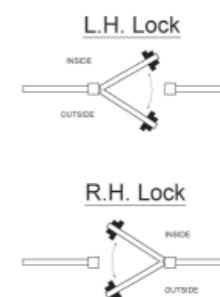
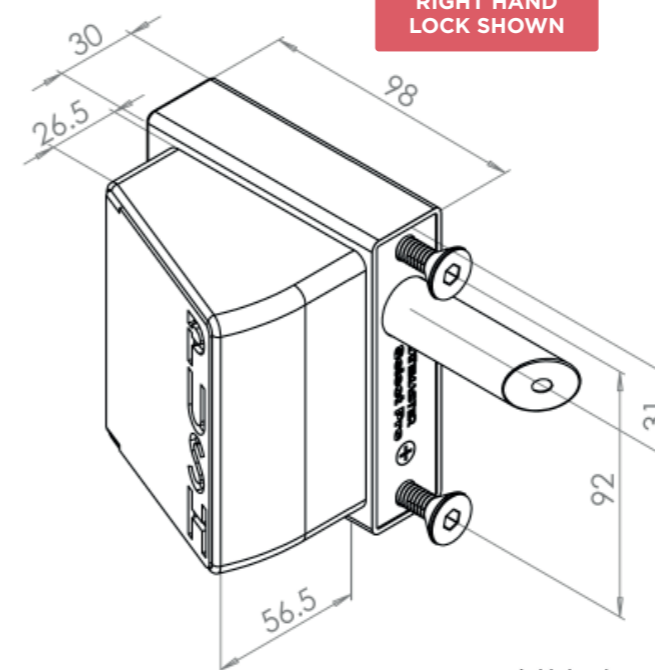
## Select Pro bolt-on quick exit key access

This quick exit gate lock is designed to allow rapid exit through gates. Designed specifically for metal gates, the unit is simple to install yet robust. Thanks to the angled latch bolt, it will automatically latch shut when the gate is closed.

- Secure - Stainless steel 16mm latchbolt which springs 20mm into the gate post.
- Reliable - supplied with bolt guide plate and gate post strike plate.
- Adaptable - latchbolt is adjustable in length for precise fitting on site.
- Quick exit/Digital keypad combination also available (see page 30).
- Security shroud available to prevent access to the pad from the outside (see p. 34).

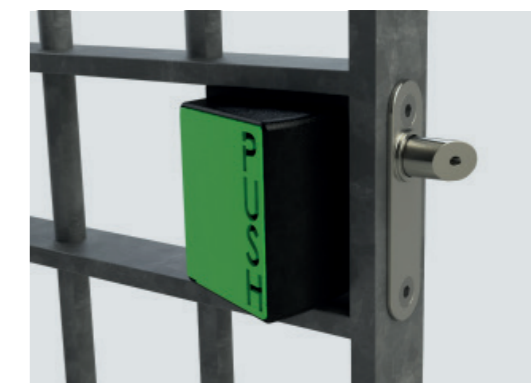


RIGHT HAND LOCK SHOWN



### AVAILABLE VERSIONS

SBQEKL01	To fit 10-30mm - left hand
SBQEKL02	To fit 40-60mm - left hand
SBQEKL01	To fit 10-30mm - right hand
SBQEKL02	To fit 40-60mm - right hand





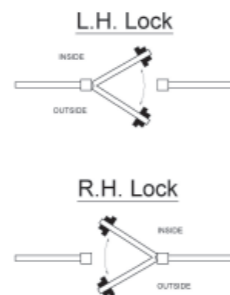
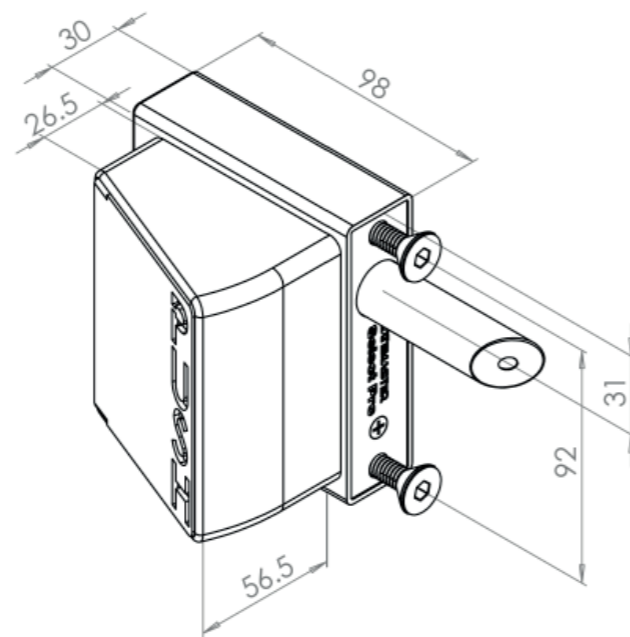
## Select Pro bolt-on quick exit digital access

An easy to fit quick exit gate lock designed for use on metal gates. Entry from the outside is via a push button keypad. The green push pad on the inside allows users to open the gate without keys or codes. The unit will automatically latch shut when the gate is closed.

- Easy to fit - simply drill 3 holes in the gate frame.
- Secure - 16mm stainless steel latchbolt that springs 20mm into the gate post.
- Adjustable - latchbolt is adjustable in length for precise fitting on site.
- Supplied with bolt guide plate and gate post strike plate.
- Also available with key entry from the outside (see page 29).
- Security shroud available to prevent access to the pad from the outside (see p. 34).



RIGHT HAND LOCK SHOWN



### AVAILABLE VERSIONS

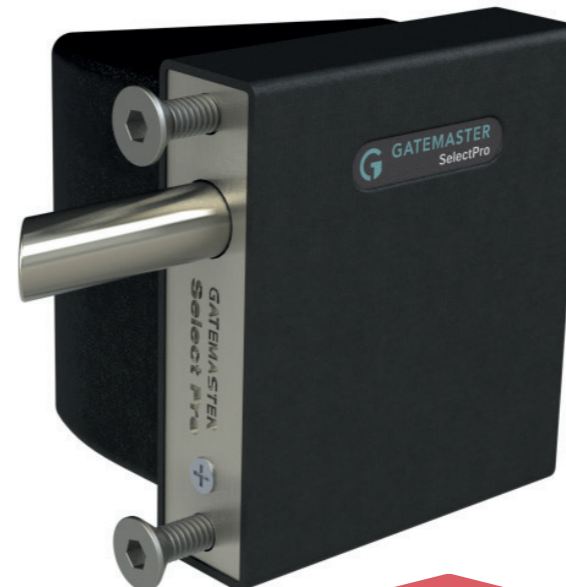
SBQEDGLL01	To fit 10-30mm - left hand
SBQEDGLL02	To fit 40-60mm - left hand
SBQEDGLR01	To fit 10-30mm - right hand
SBQEDGLR02	To fit 40-60mm - right hand



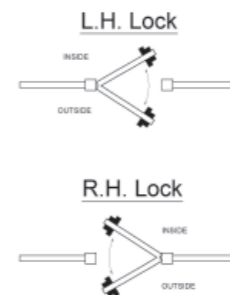
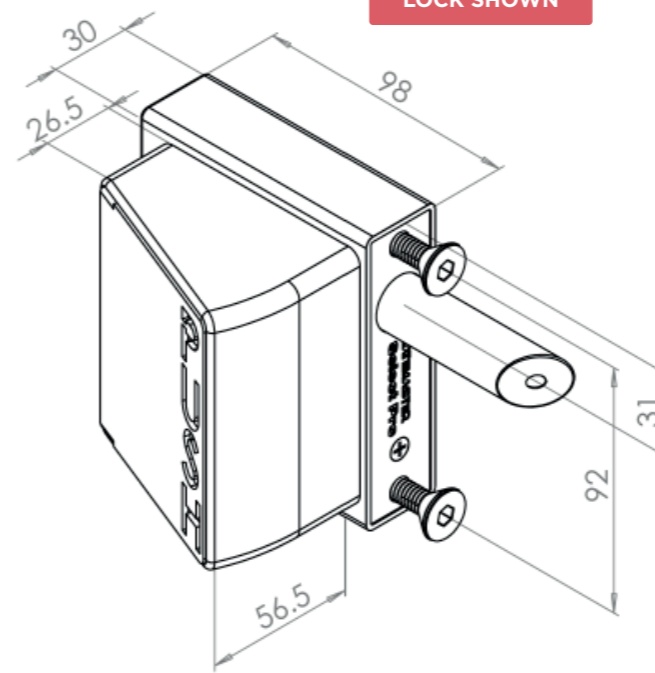
## Select Pro bolt-on quick exit no outside access

This quick exit gate lock is designed to allow rapid exit through gates, with no entry from the outside. Designed specifically for metal gates, the unit is simple to install yet robust. Thanks to the angled latch bolt, it will automatically latch shut when the gate is closed.

- Easy to fit - simply drill 3 holes in the gate frame.
- Secure - 16mm stainless steel latchbolt that springs 20mm into the gate post.
- Adjustable - latchbolt is adjustable in length for precise fitting on site.
- Secure - no access from the outside of the gate.
- Supplied with bolt guide plate and gate post strike plate.
- Also available with key or digital keypad entry from the outside (see p. 29-30).
- Security shroud available to prevent access to the pad from the outside (see p. 34).

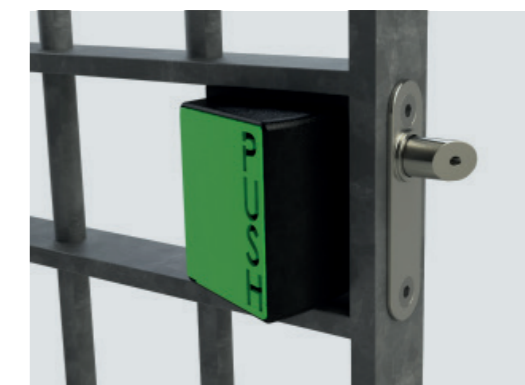


RIGHT HAND LOCK SHOWN



### AVAILABLE VERSIONS

SBQEL01NA	To fit 10-30mm - left hand
SBQEL02NA	To fit 40-60mm - left hand
SBQER01NA	To fit 10-30mm - right hand
SBQER02NA	To fit 40-60mm - right hand



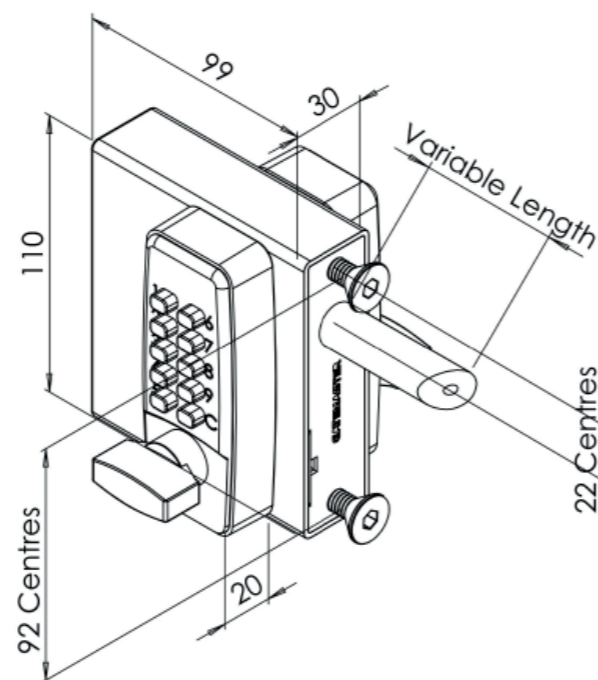




## Select Pro bolt-on digital gate lock

This digital gate lock combines the convenience of a mechanical keypad with the ease of installation of the bolt on lock range. To fit simply drill three holes in the gate frame and bolt the lock on.

- No power needed – mechanical keypads for a quick and easy install.
- Secure – latchbolt projects up to 20mm into the gate post which increases security and gives more tolerance.
- Long lasting – brass bearing plate supports the latchbolt reducing wear and increasing product life.
- Adaptable – the Latchbolt can be adjusted in length and set to left hand or right hand.
- Durable – tested to over 1000 hours salt spray, this product will survive the elements.
- Auto-latching – close the gate and the latchbolt latches into the gate frame. To open the gate – enter the code and turn the handle.
- Keypad on both sides – also available as a keypad and rear handle.



### AVAILABLE VERSIONS

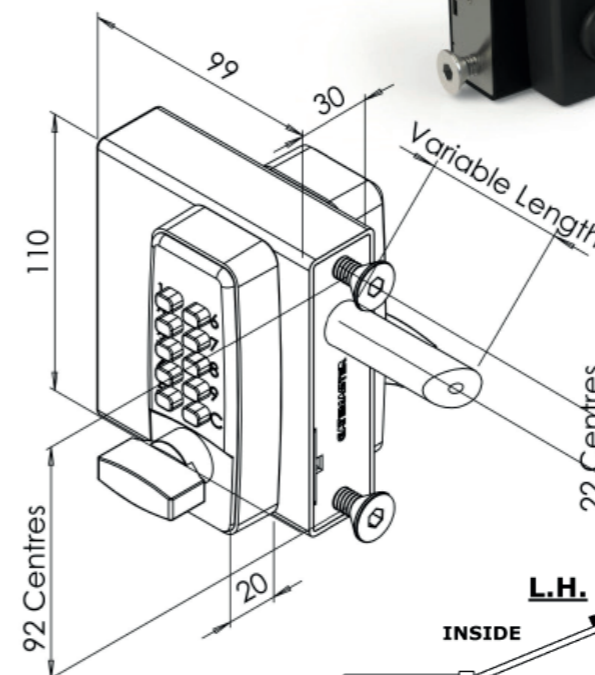
DGL01	To fit 10-30mm gate frames
DGL02	To fit 40-60mm gate frames



## Select Pro bolt-on digital gate lock single sided

The digital gate lock single sided has a convenient mechanical keypad and a free exit turn handle on the inside. Digital gate locks are a convenient method of locking a gate as they require no keys. This lock auto-latches when the gate is closed, but also has a hold-back function for when you need to keep the gate unlocked. Just flip the switch on the rear handle to activate.

- No power needed – mechanical keypads for a quick and easy install.
- Secure – latchbolt projects up to 20mm into the gate post which increases security and gives more tolerance.
- Long lasting – brass bearing plate supports the latchbolt reducing wear and increasing product life.
- Adaptable – the Latchbolt can be adjusted in length and both outward and inward opening gates.
- Durable – Tested to over 1000 hours salt spray, this product will survive the elements.
- Auto-latching – close the gate and the latchbolt latches into the gate frame.
- Keypad on one side, handle on the other – also available with a Keypad on both sides.



### AVAILABLE VERSIONS

DGLS01L	10-30mm gate frame - left hand
DGLS01R	10-30mm gate frame - right hand
DGLS02L	40-60mm gate frame - left hand
DGLS02R	40-60mm gate frame - right hand

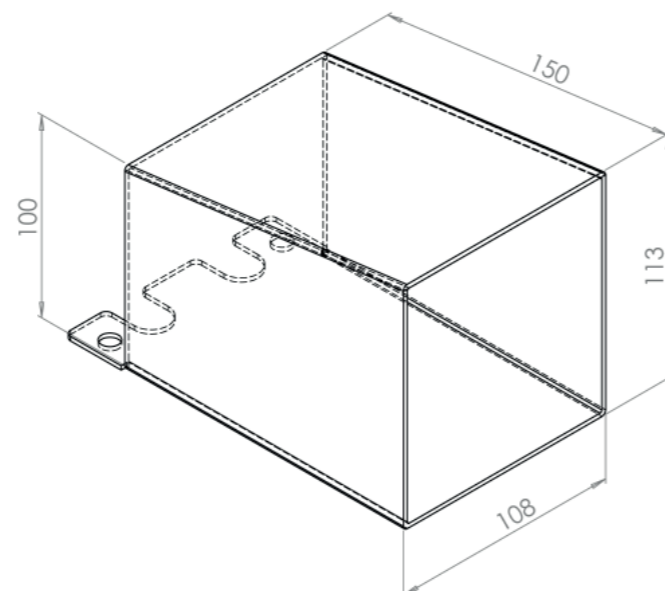




## Select Pro quick exit shroud

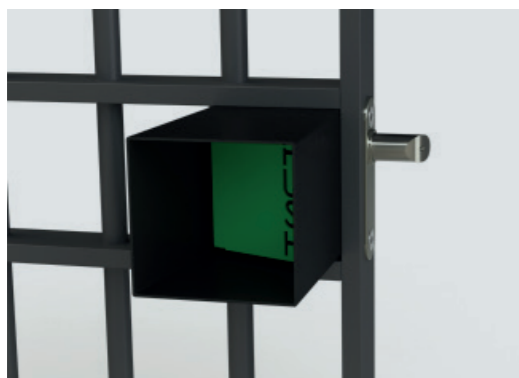
This shroud can be fitted with the Select Pro Quick Exit gate locks and prevents access to the push pad from the outside of the gate.

- Secure - restricts access to the push pad from the outside of the gate.
- Easy to fit - simply bolt between the lock and the frame, no welding or extra holes needed.
- Can be used with any of the Gatemaster Quick Exit locks (pp. 29-30) and the digital single sided lock (p. 33)



SBQES

Quick exit security shroud



SHOWN WITH SINGLE SIDED  
DIGITAL LOCK (P33)





## Select Pro Weld-in Seamless Security

Weld-in gate locks are an unobtrusive but secure method of locking a gate. Simply weld the steel case into the gate frame and paint with the gate, the mechanism slides in afterwards.

A solution for both bespoke and mass-produced gates, weld-in gate locks come in a variety of styles and widths. The design enables a section of the gate to be cut out and the lock welded in place, flush with the front and sides of the box section.



SWLD Latch Deadlock	37
SWD Deadlock	38
SWKLLT Long Throw Keylatch	39
Select Pro Weld-in Accessories	40

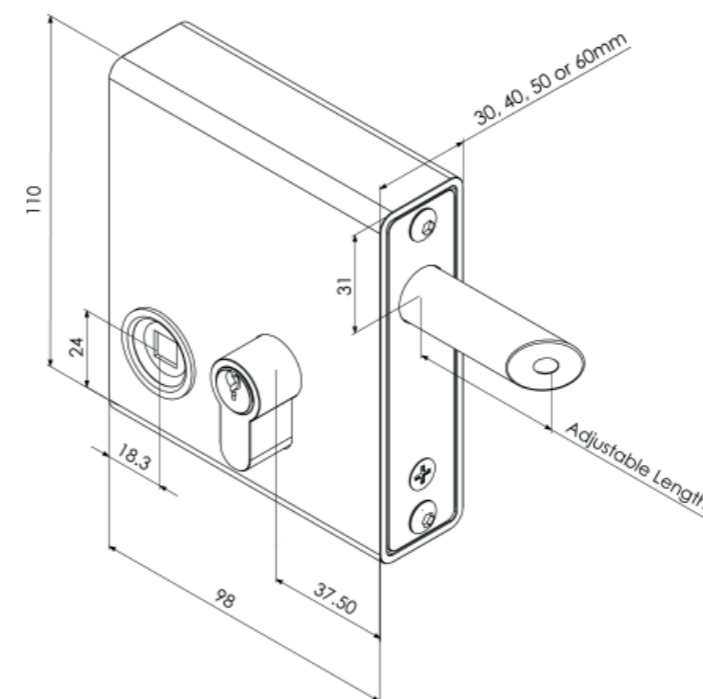


## Select Pro weld-in latch deadlock



The weld-in latch deadlock has a latch and deadlock on a single bolt. The handles operate the latch and the key can then be turned to extend the deadbolt 30mm into the gate post to secure the gate.

- Secure - stainless steel latchbolt which springs 13mm into the gate post and then moves to 30mm when you turn the key and deadlock the lock.
- Adjustable - latchbolt is adjustable in length for precise fitting on site and can be rotated for left or right handed gates.
- Strong - welding the lock into the gate is the most secure method of fixing a lock into a gate.
- Durable - fitted with a brass latchbolt bearing to ensure long lasting, smooth action.
- Available in 4 widths to suit popular gate frame sizes - 30mm, 40mm, 50mm and 60mm.
- Supplied with gate post strike plate.



SEE DIAGRAM ON P.40 FOR HOW TO MEASURE THE GATE FRAME

### AVAILABLE VERSIONS

SWLD1630	30mm wide gate frames
SWLD1640	40mm wide gate frames
SWLD1650	50mm wide gate frames
SWLD1660	60mm wide gate frames





## Select Pro weld-in deadlock

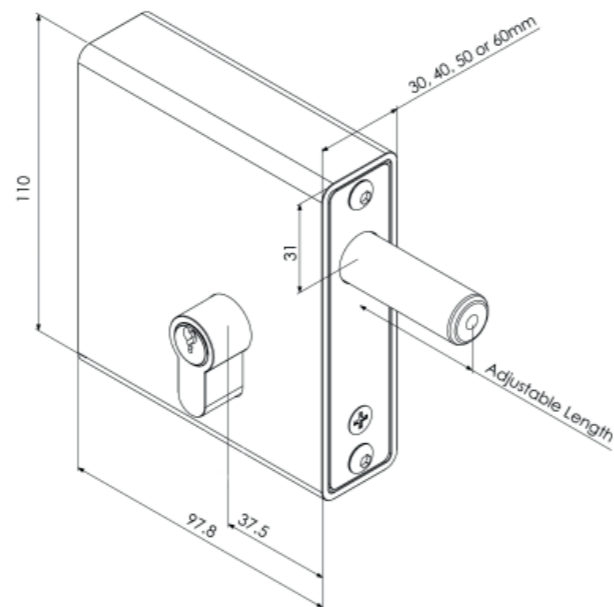
Solid and reliable lock with a single keyed deadlocking action that moves 30mm with one turn of the key.

- Secure - stainless steel deadbolt which moves 30mm with one turn of the key.
- Adaptable - deadbolt is adjustable in length for precise fitting on site.
- Strong - welding the lock into the gate is the most secure method of fixing a lock into a gate.
- Keyed both sides for easy access.
- Lock case is made from 2.5mm steel.
- 4 lock case widths available to suit different box section sizes - 30mm, 40mm, 50mm and 60mm.



SEE DIAGRAM ON P.40 FOR HOW TO MEASURE THE GATE FRAME

AVAILABLE VERSIONS	
SWD1630	30mm wide gate frames
SWD1640	40mm wide gate frames
SWD1650	50mm wide gate frames
SWD1660	60mm wide gate frames



## Select Pro weld-in long throw keylatch

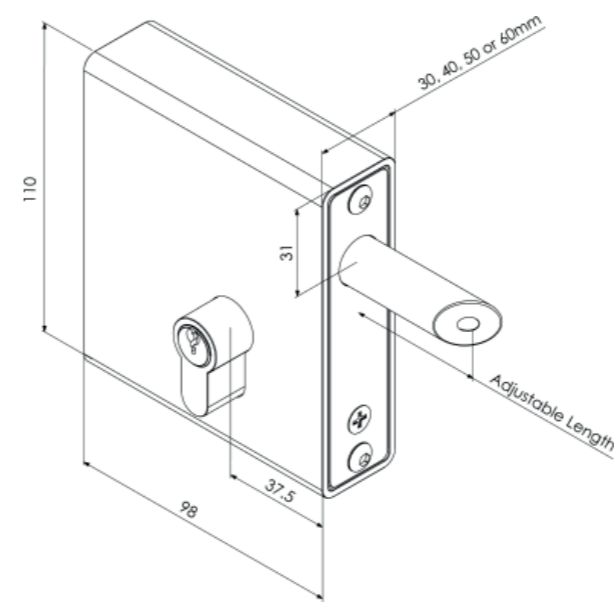
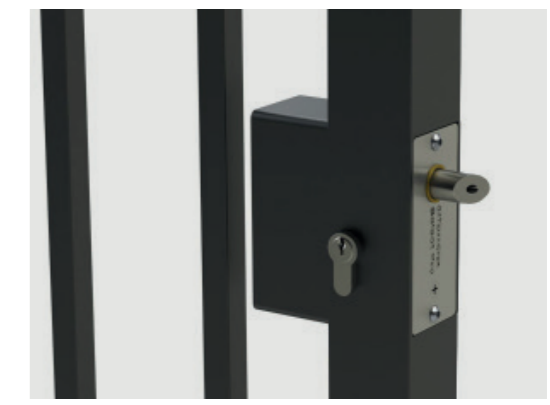
The Select Pro long throw keylatch is perfect for securing the gate every time you shut it behind you. Turn the key to open the gate and automatically locks when you close the gate. Ideal for securing communal gates every time the gate is shut.

- Secure - gate can be slammed shut and requires the key to open every time.
- Strong - stainless steel latchbolt springs 20mm into the gate post, the long throw increases extra security.
- Adaptable - latchbolt can be rotated for left and right handed gates and is adjustable in length for precise fitting on site.
- Durable - fitted with a brass latchbolt bearing to ensure long lasting, smooth action.
- Available in 4 lock case widths to suit popular box section sizes. 30mm, 40mm, 50mm and 60mm.



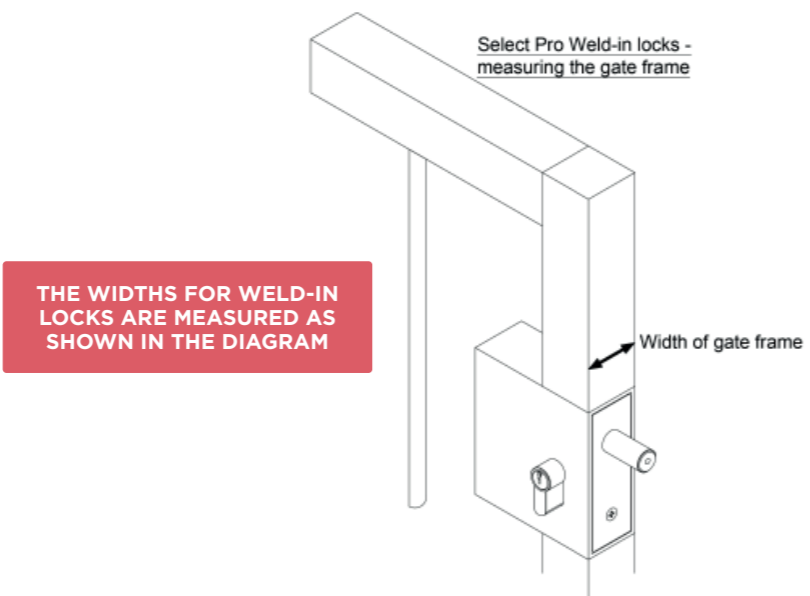
SEE DIAGRAM ON P.40 FOR HOW TO MEASURE THE GATE FRAME

AVAILABLE VERSIONS	
SWKLLT1630	30mm wide gate frames
SWKLLT1640	40mm wide gate frames
SWKLLT1650	50mm wide gate frames
SWKLLT1660	60mm wide gate frames





## Measuring the gate frame



## Stainless Steel Escutcheon

Manufactured from stainless steel, this escutcheon helps protect the cylinder and covers up the hole made when installing the lock.

- Dimensions: 68mm height x 32mm width



### AVAILABLE VERSIONS

SSE	Stainless Steel Escutcheon
-----	----------------------------

## Security Escutcheon to Weld

The security escutcheon protects the cylinder from attack. Commonly used with the weld-in locks to increase security.

- Dimensions: 46mm height x 30mm width



### AVAILABLE VERSIONS

WSE04	4mm thickness
WSE08	8mm thickness
WSE12	12mm thickness

## SELECT PRO WELD-IN ACCESSORIES

### Select Pro Handles



**Alloy Handle**  
SEE PAGE 59



**Traditional Handle**  
SEE PAGE 59



**Stainless Steel Handle**  
SEE PAGE 59





# Wooden Gate Locks Timber Solutions

Our locks for wooden gates take the nature of timber into consideration, providing ultimate adjustability and reliability. With keyed or keyless locks available, the ranges can be easily installed on a new gate or as a retro-fit option on an existing gate.



BDGW Double Sided Digital	43
BDGSW Single Sided Digital	44
SLDS Superlatch Digital	45
GLB Gate Locking Bolt	46
DGLW Double Digital Gate Lock	48
DGLSW Single Digital Gate Lock	48
SBQEDGLW Quick Exit Digital Gate Lock	49



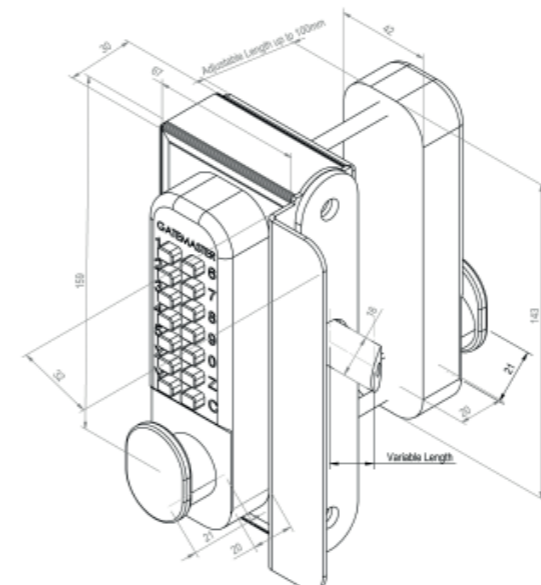
# Gatemaster surface fixed digital gate lock



RIGHT HAND LOCK SHOWN

A marine grade digital gate lock designed for easy surface fitting to wooden or metal gates. Easy to install by simply drilling 3 holes in the gate frame and using the fixing screws supplied. Digital gate locks are a convenient method of locking a gate as no keys are required to open it. The code can be changed to any combination needed.

- No power needed - mechanical keypads for a quick and easy install.
- Secure - latchbolt projects up to 20mm into the keep which increases security and gives more tolerance.
- Durable - tested to over 1000 hours salt spray, this product will survive the elements.
- Easy to fit - supplied with a keep for easy fitting.
- Auto-latching - close the gate and the latchbolt latches into the gate frame. To open the gate - enter the code and turn the handle.
- Keep box supplied for extra security.



AVAILABLE VERSIONS	
BDGWL	Left handed, inward opening
BDGWR	Right handed, inward opening
BDGWLO	Left handed, outward opening
BDGWRO	Right handed, outward opening
BDGWE140	Extension kit for gates up to 140mm thickness

**COMING SOON**  
Lever handle option for our digital locks - both the single- and double-sided versions. Register your interest and enquire now!





## Surface fixed digital gate lock single sided

A marine grade digital gate lock designed for easy surface fitting to wooden or metal gates, with a mechanical keypad outside and a free exit turn handle on the inside. Digital gate locks are a convenient method of locking a gate as no keys are required to open it. The code can be changed to any combination needed.

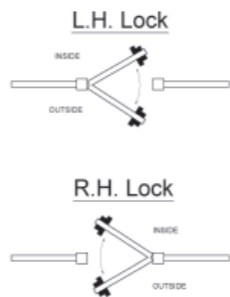
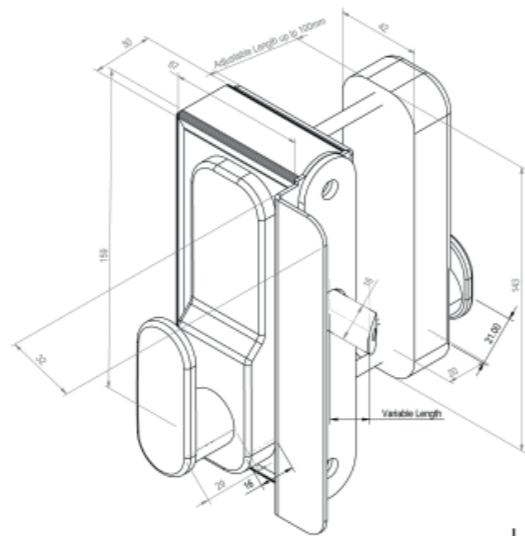
- No power needed - mechanical keypads for a quick and easy install.
- Secure - latchbolt projects up to 15mm into the keep which increases security and gives more tolerance.
- Easy to fit - supplied with a keep for easy fitting.
- Auto-latching - close the gate and the latchbolt latches into the gate frame. To open the gate from the outside - enter the code and turn the handle. From inside the rear handle can be turned at any time.
- Keep box supplied for extra security.
- As standard, the BDGSW is supplied with fixings and spindle to suit gates of up to 75mm thick.
- We have an extension kit for gates that are 75mm-140mm thick.

### AVAILABLE VERSIONS

BDGSWL	Left handed, inward opening
BDGSWR	Right handed, inward opening
BDGSWLO	Left handed, outward opening
BDGSWRO	Right handed, outward opening
BDGWE140	Extension kit for gates up to 140mm thickness



RIGHT HAND LOCK SHOWN



**COMING SOON**  
Lever handle option for our digital locks - both the single- and double-sided versions. Register your interest and enquire now!



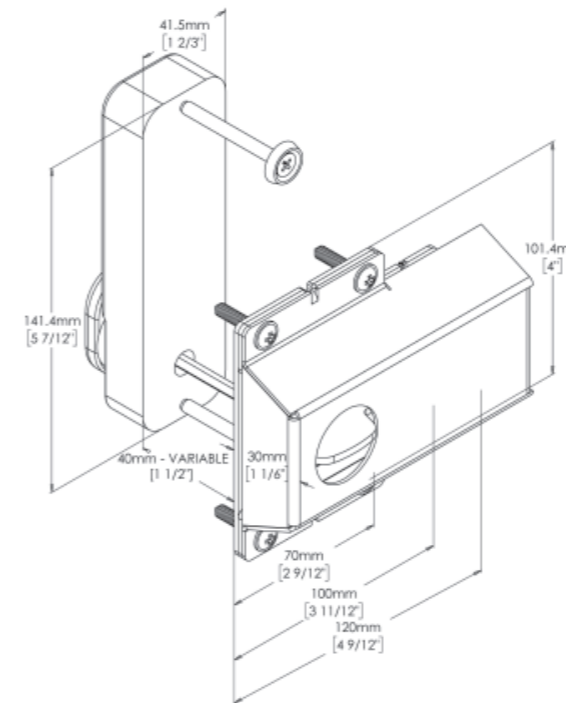
## Superlatch surface fixed digital latch

The Superlatch digital is a simple push button locking option that is a great alternative to fitting low cost keypads to your gate. With a marine grade keypad on the outside of the gate and a fully stainless steel latch on the inside, the innovative design enables easy and secure locking without a complicated installation process.

- Easy to fit - simply drill 3 holes through the gate and screw on.
- Auto-latching - close the gate and the latchbolt latches into the gate frame.
- Secure - latch is protected by the integrated shroud.
- Durable - marine grade keypad and fully stainless steel latch with powder coated finish ensures long product life.
- Reversible - the latch can simply be flipped over for left or right handed gates.
- Versatile - can be fitted to wooden or metal gates, indoors or out.
- Drilling guide included.
- As standard, the SLDS is supplied with fixings and spindle to suit gates of up to 75mm thick.
- We have an extension kit for gates that are 75mm-140mm thick.

### AVAILABLE VERSIONS

SLDS	Superlatch digital
SLDSE140	Extension kit for up to 140mm thickness

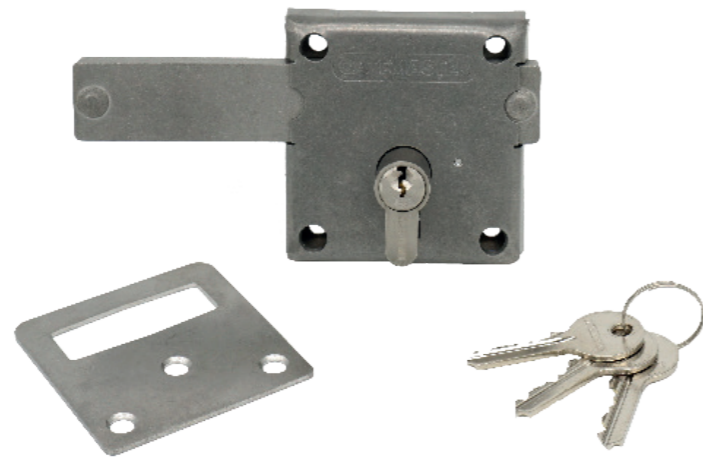




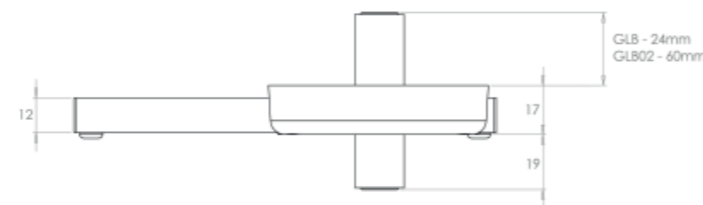
## Gatemaster gate locking bolt

A simple and robust gate lock which fits to the surface of the gate. Easy to install by simply screwing onto the inside of a gate. Suitable for both metal and wooden gates. This lock requires you to turn the key behind you to deadlock the gate.

- Keyed both sides for easy access.
- Non-handed - suits left hand and right hand gates or doors.
- Long throw - 53mm movement with one turn of the key.
- Stainless steel - suitable for all outdoor environments.
- Weld-in lock plates available - these can be welded or screwed on the gate and have the correct holes and fixings for fixing the gate lock. The slotted lockplate is used with the keep plate and is ideal for securing double gates (see opposite page).
- Screw fixed keep plate (GLBKT) supplied with the lock.
- Lock is supplied with fixings screws to fit both lock and keep plate.

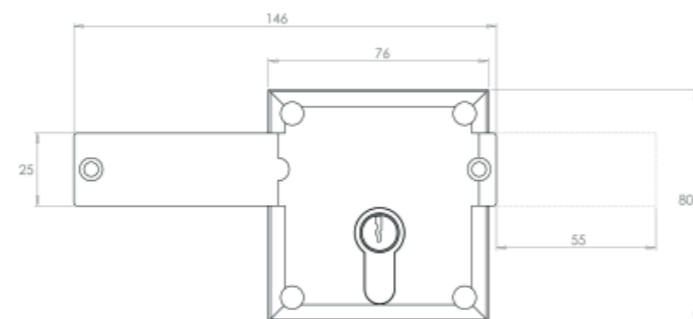
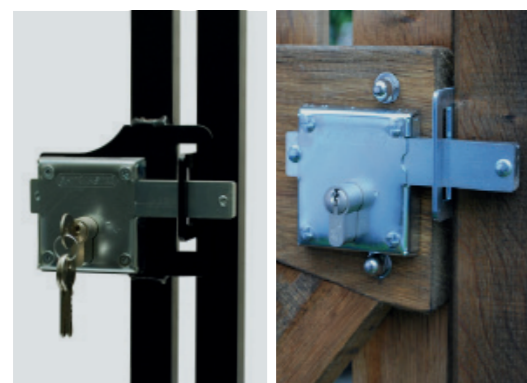


**THE LOCK EUROCYLINDER WHICH EXTENDS FROM THE BACK OF THE LOCK IS AVAILABLE IN 2 LENGTHS FOR DIFFERENT GATE THICKNESSES.**

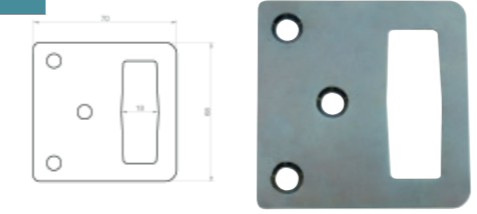


### AVAILABLE VERSIONS

GLB	Eurocylinder extends 24mm
GLB02	Eurocylinder extends 60mm

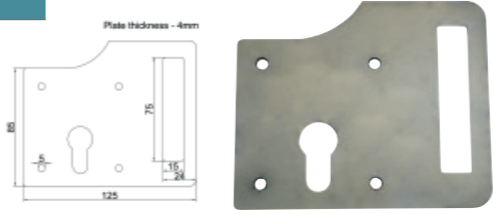


### GLBKT



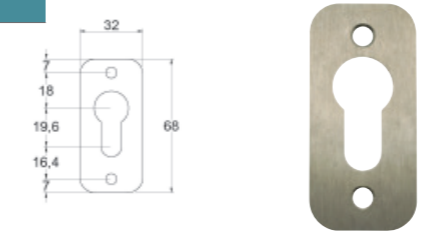
**Screw fixed keep plate stainless steel**  
(Supplied with lock) fit to the gate post to receive the locking bolt.

### GLBST



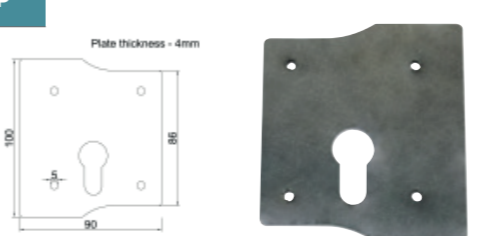
**Slotted screw fixed lock plate**  
A keep plate is fixed to the second gate so that it passes through the slot in the lock plate and is secured with the deadbolt. This ensures the gates can not be 'sprung' open. Screw fixed for wooden gates.

### SSE



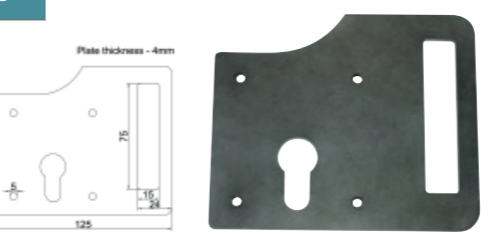
**Screw fixed escutcheon stainless steel**  
This fits around the eurocylinder to protect it from attack.

### GLBP



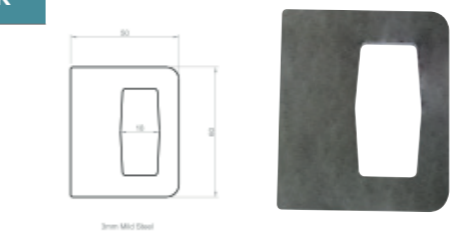
**Standard lock plate**  
Used for single gates - supplied with lock fixing screws. Weld to the gate and fit the lock once the gate is galvanised and/or painted.

### GLBS



**Slotted lock plate**  
A keep plate is welded to the second gate so that it passes through the slot in the lock plate and is secured with the deadbolt. This ensures the gates can not be 'sprung' open.  
  
Also used for extra security on single gates.

### GLBK



**Weldable steel keep plate**  
Keep plate to be welded to the gate post (screw fixed version GLBKT supplied with lock as standard).



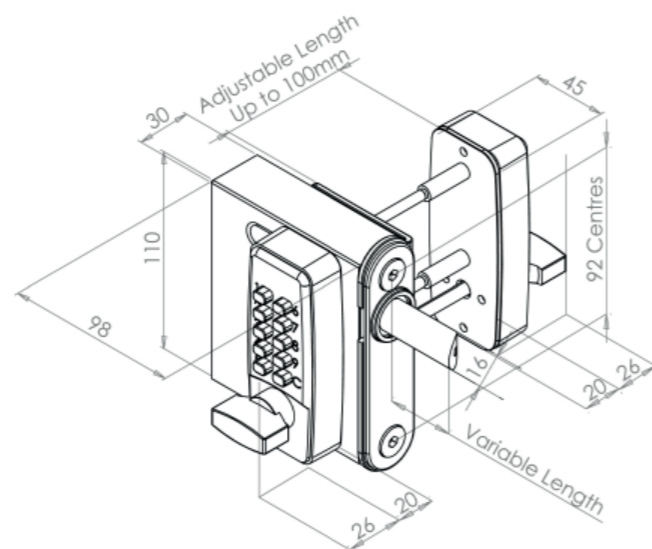




## Gatemaster surface fixed digital gate lock

A marine grade digital gate lock designed for easy surface fitting to wooden or metal gates. Easy to install by simply drilling 3 holes in the gate frame and using the fixing screws supplied. Digital gate locks are a convenient method of locking a gate as no keys are required to open it. The code can be changed to any combination needed.

- No power needed - mechanical keypads for a quick and easy install.
- Secure - latchbolt projects up to 20mm into the keep which increases security and gives more tolerance.
- Durable - tested to over 1000 hours salt spray, this product will survive the elements.
- Easy to fit - supplied with a keep for easy fitting.
- Auto-latching - close the gate and the latchbolt latches into the gate frame. To open the gate - enter the code and turn the handle.
- Keep box supplied for extra security.

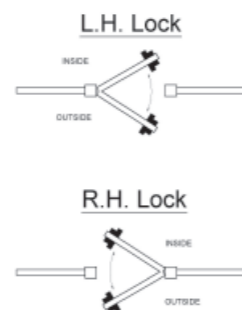


### KEYPAD ON BOTH SIDES

DGLWL	Left hand
DGLWR	Right hand

### KEYPAD ON OUTSIDE, HANDLE ON INSIDE

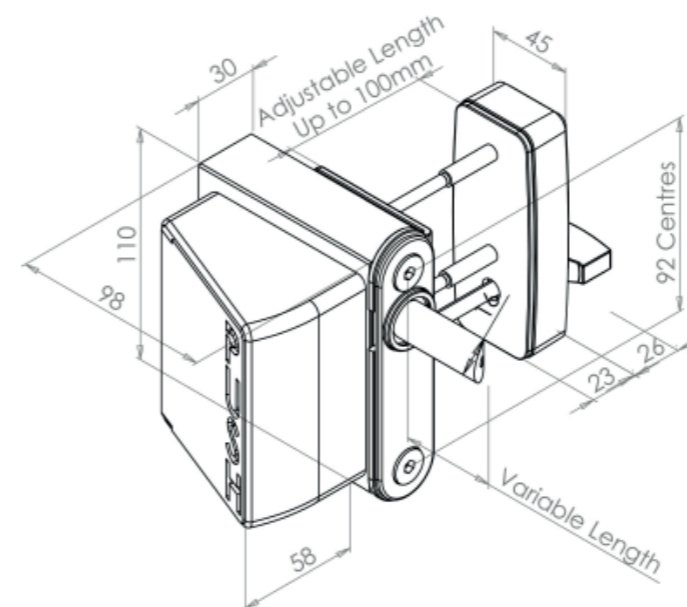
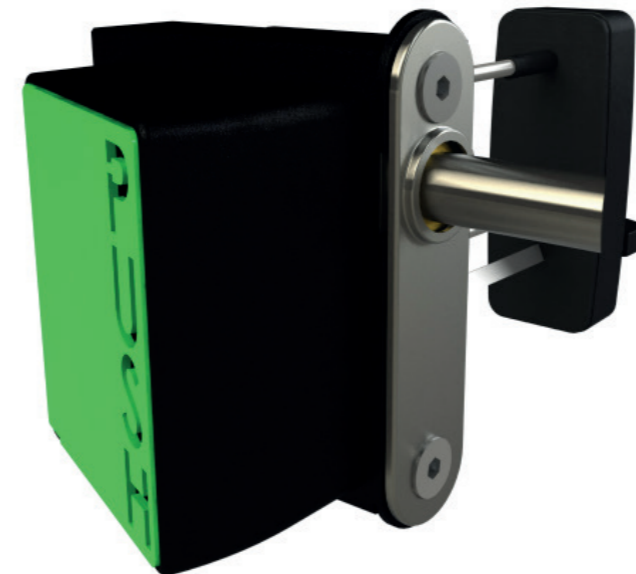
DGLSWL	Left hand
DGLSWR	Right hand



## Gatemaster surface fixed quick exit digital access lock

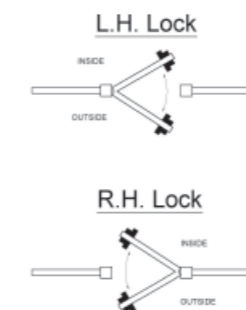
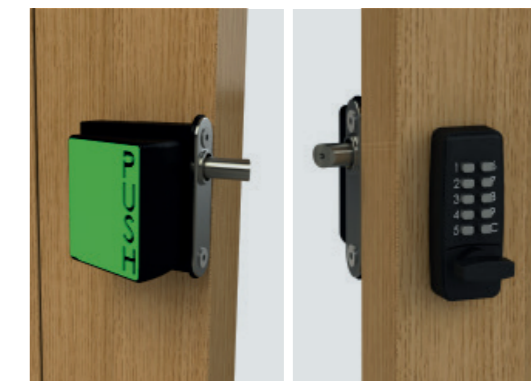
The SBQEDGLW is a surface-fixed digital gate lock with a quick exit push pad on the inside and a digital keypad on the other. With the simple surface-fixed installation, it is perfect for both wooden and metal gates and is useful for locations where an easy exit is necessary. The lock has a 10-pin keypad for easy keyless access.

- A corrosion resistant lock with a digital keypad to outside and a push exit pad to inside, suitable for wooden and metal gates.
- Surface fitted - simply drill 3 holes through the gate and screw the lock on.
- Auto-latching - close the gate and the latch bolt latches into the gate frame. To open the gate - enter the code and turn the handle.
- Latch bolt is adjustable in length for precise fitting on site. The latch moves 22mm and auto-latches when closed.



### AVAILABLE VERSIONS

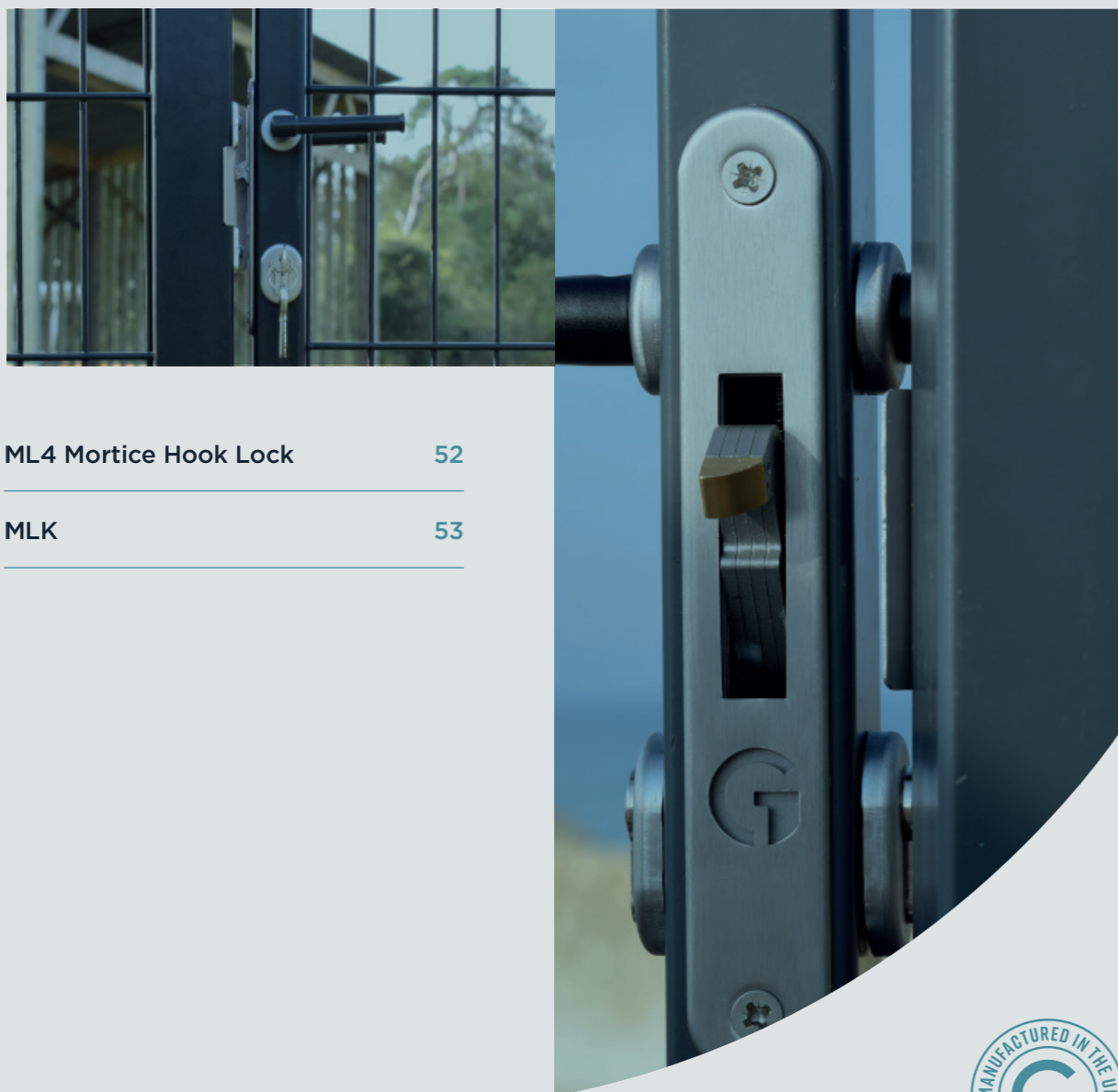
SBQEDGLWL	Surface fixed quick exit, left hand
SBQEDGLWR	Surface fixed quick exit, right hand





# Mortice Locks Highly Secure

Our ML4 mortice hook lock is a revolutionary design incorporating a latch and deadlock in one single hooked bolt. Simply slotted into pre-drilled holes in square box section, the Gatemaster mortice lock is highly secure and protected from vandal attacks, blending well into any gate design.

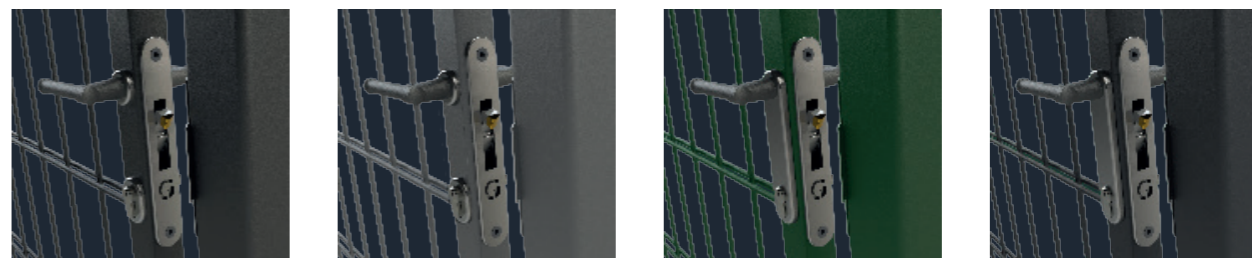


ML4 Mortice Hook Lock	52
MLK	53



# MORTICE LOCK SPECIFICATIONS

- 1** Fits into 40 x 40mm box section or above
- 2** Available with a full hardware kit
- 3** Fully stainless steel for corrosion resistance
- 4** Easy fitting, just slot into pre-cut holes in gate
- 5** Adjustable latch tip for left and right hand

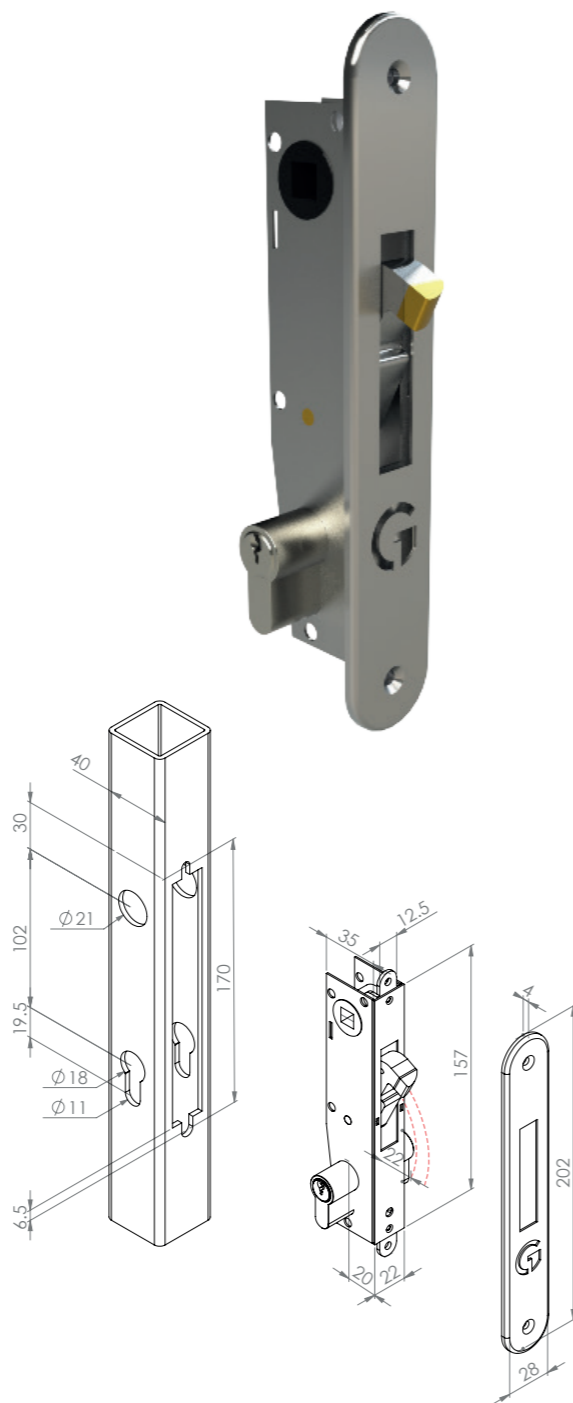




## ML4 mortice hook lock

The Gatemaster mortice hook lock is a unique stainless steel lock that incorporates a latch and deadlock in one single-action bolt. Designed for use on a 40x40mm box section, once the section is cut to receive the lock, it can simply be slid in and fixed without any drilling and tapping of the gate needed.

- Durable - tested to 1,000,000 openings!
- Easy installation - once the profile is cut the lock is simply slid into place and secured with its own fixings.
- Secure - solid stainless steel hooked bolt resists intruders forcing or levering the gate open.
- Rust-proof - high quality stainless steel and brass components.
- Universal - latchbolt is easily adjustable for left and right hand gates.
- Simple operation - latch can be operated with handle or key and deadlocked for security.
- Range of styles - separate cylinder and handle cover for a smart but minimalistic look, or a full one piece cover plate for a stylish, polished finish.
- Supplied with a full kit including bolt-on keep, handles, cover plates and euro cylinder.

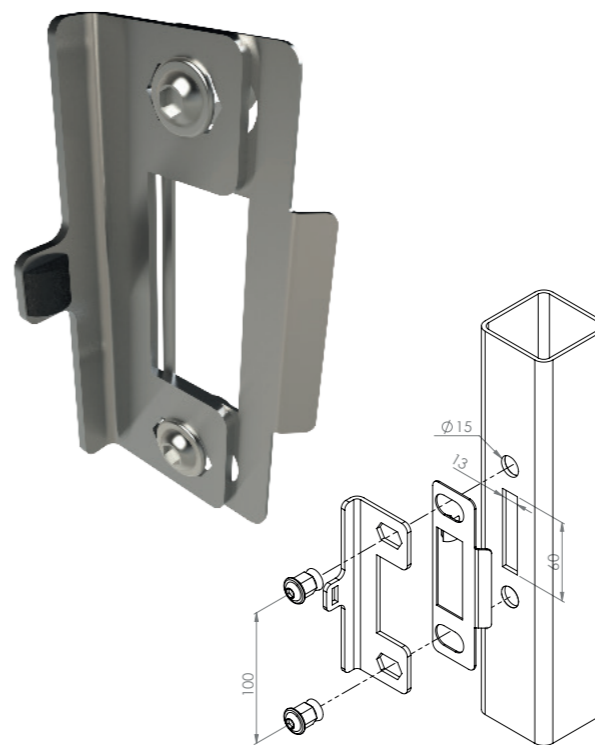


AVAILABLE VERSIONS	
ML4DCP	Kit with dual cover, plain handles
ML4DCO	Kit with dual cover, ornamental handles
ML4FCP	Kit with full cover, plain handles
ML4FCO	Eurocylinder extends 60mm



LEFT - GATE WITH FULL COVER AND ORNAMENTAL (O) HANDLES  
RIGHT - GATE WITH DUAL COVER AND PLAIN (P) HANDLES

## Mortice lock keep (included in kit)



This stainless steel keep perfectly complements the mortice hook lock, ensuring security and giving the gate post a finished look.

- Neat and unobtrusive - covers up the slot in the post and gives a professional finish.
- Easy to fit - simply bolt to the gate post with the innovative expanding fasteners included.
- Adjustable - for post sizes from 40-60mm.

MLK Mortice Lock Keep



## ML4 Handles



**Profiled Handle**

SEE PAGE 59



**Traditional Handle**

SEE PAGE 59



**Stainless Steel Handle**

SEE PAGE 59



# Electric Locks Electro-magnetic power

The Gatemaster electro-magnet kit provides an easy and secure solution to locking gates electronically. Designed for outdoor use, the kit can work as part of a larger electronic gate system which can include a range of functions such as electric gate openers and intercom.



Electro-magnetic lock kit 55

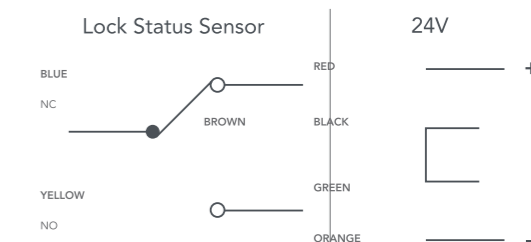
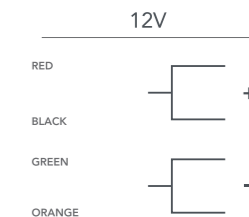
Electric release, mortice, heavy duty, monitored 56



## Electro-magnetic lock kit

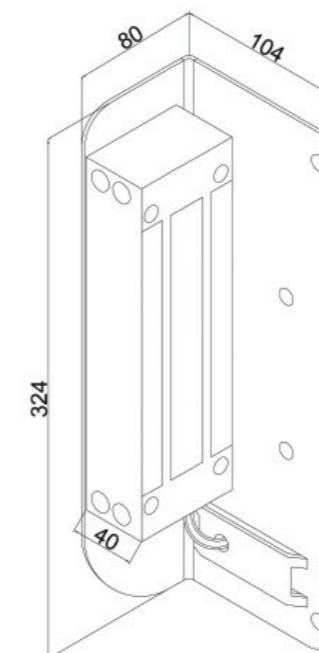
Simple gate maglock system with fixing plates and handles designed for easy fitting. The maglock can be operated using a separate keypad, switch or proximity fob and is easily incorporated into any access control system. The gate is easily operated using the pull handles included.

- High quality - 545kg holding force stainless steel maglock and powder coated attachment plates with integral pull handles for opening the gate
- Easy to fit - Simply bolt to the gate and wire up, fixings provided
- The maglock incorporates a switch which provides a locked/unlocked signal
- The simplest way to fit a maglock to a gate



### AVAILABLE VERSIONS

EMGK	Gate maglock system
------	---------------------

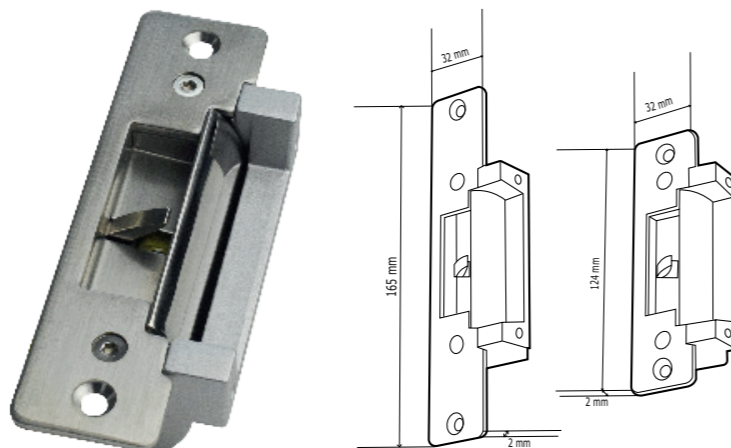




## Electric release, mortice, heavy duty, monitored

This heavy duty electric release with an integral switch can be used to confirm that a gate is closed. The ERHDM can convert to fail safe (it unlocks when power fails) or fail secure (it remains locked when power fails) depending on what your application requires.

The electric release is a robust product with a stainless steel faceplate and a deep locking tongue to allow for more gate tolerance. It is mortised into the gate frame. We recommend you contact an electrician or electric gate specialist to install this.



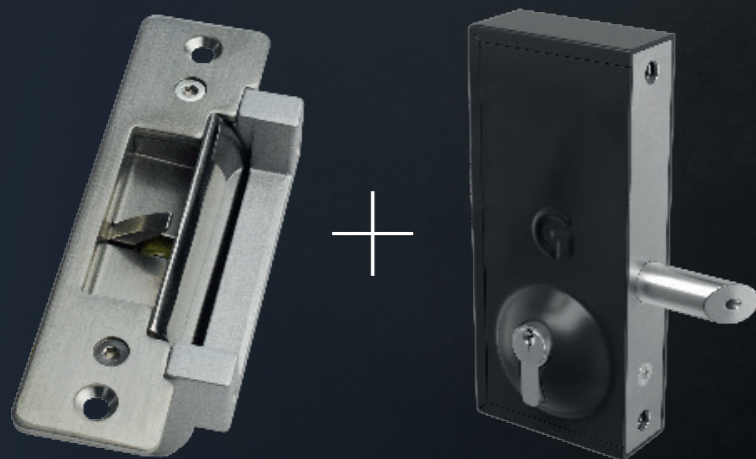
ERHDM

Electric release, mortice, heavy duty, monitored

## The Bike Storage Lock Solution

Combine the Electric release with the new Superlock Keylock for the perfect solution for bike storage units or other external storage units.

This combination can be used in conjunction with an electronic access control system, enabling it to be opened with a fob reader or entry method of your choice, as well as the secondary option to use the key. For the exit, you can similarly fit an electronic push button, or you can fit a thumb-turn cylinder to the lock which is an easy and cost-effective way to allow quick exit.



- Easy access with an electronic entry method of your choice
- Option for internal thumb-turn for one-hand exit
- Set the keep to fail safe or fail secure in the case of power cut
- Keep will help protect the latch and the gate frame





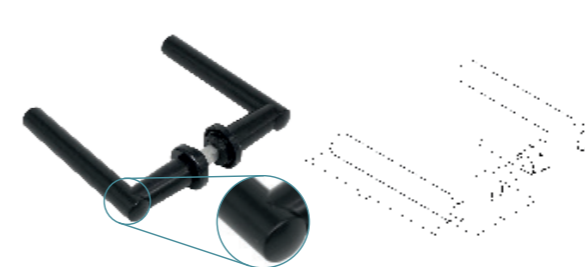
# Lock Handles **Select your style**

Our range of handles is chosen to suit any style of gate, from ornamental and traditional through to more contemporary and modest designs.

Made from aluminium or stainless steel and built to last, the right handles can really finish off the look of your gate, which is why we offer a range to suit every taste.



## Lock handles



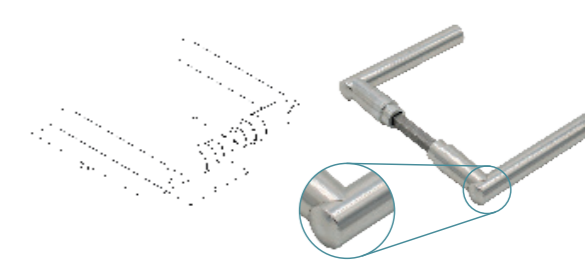
**R** Round handle set



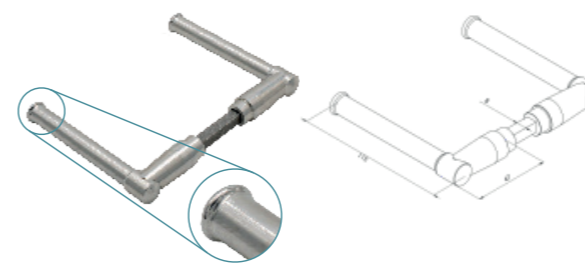
**P** Profiled handle set



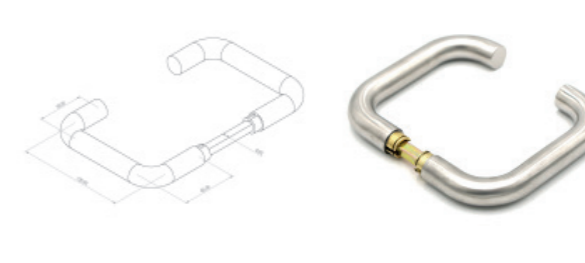
**T** Twisted handle set



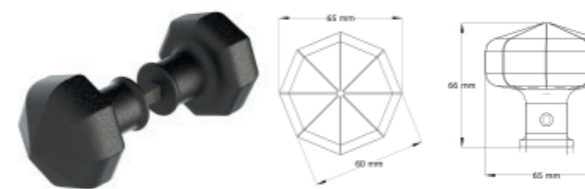
**RS** Round handle set, silver



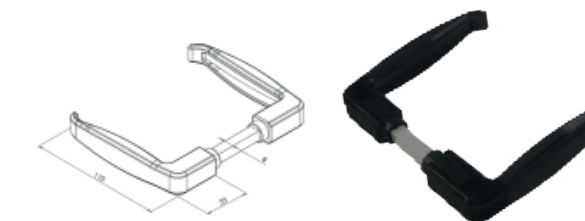
**PS** Profiled handle set, silver



**SSH** Stainless steel handle set



**OK** Octagon knob handle set



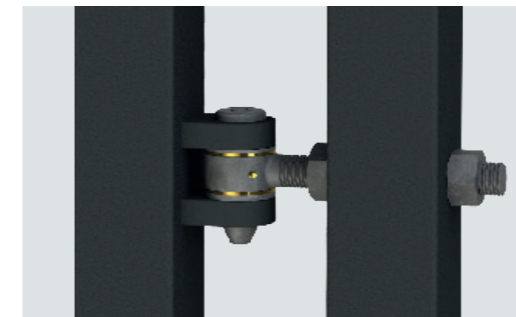
**AH** Alloy handle set





## GATE HINGES

One of the most important parts of a gate, **the gate hinge** plays a crucial role in terms of usability and user safety. We focus on the highest quality materials and top engineering to ensure our hinges not only meet but exceed what is required of them.



### Superhinge More Power, Less Friction

Our Superhinge is one of the strongest and most durable gate hinges in the market, ensuring low-friction operation for many years.

62



### Stop Hinge No More Traps

The Stop Hinge Set is a durable pivot set that prevents the gate opening more than 100°. This reduces the risk of a crushing point between the gate and post.

63



### Security Collars Theft Prevention

Our push-fit security collar prevents gate theft with its innovative design. Simply push onto a gate hook above the gate eye to ensure the gate can't be lifted off.

64



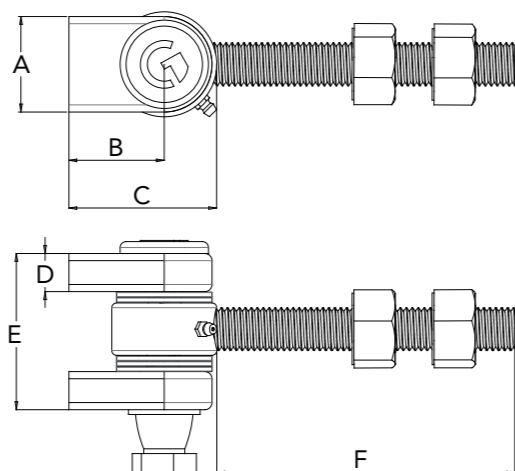


## GateMaster Superhinge

The GateMaster Superhinge is one of the most durable gate hinges in the range, tested to 500,000 openings with little to no wear. It incorporates brass bearings within the hinge which ensure a smooth action and guarantee the gate opens and closes reliably with a lifetime guarantee.

- Strength tested – suitable for gates up to 900kg per pair.
- Long lasting – tested to 500,000 openings with no wear, that's 50 years at an average of 25 openings a day!
- Durable – low friction, ideal for use with automated gates.
- Adjustable – adjustable bolt for precise gate fitting on site.

**GATEMASTER GUARANTEE** – we have proved these hinges have exceptional wear resistance and guarantee to replace any hinge which shows excessive wear up to 20 years after purchase.



### AVAILABLE VERSIONS

SH16	M16 thread	150kg weight limit/pair
SH20	M20 thread	300kg weight limit/pair
SH25	M24 thread	450kg weight limit/pair
SH30	M30 thread	900kg weight limit/pair

### THE SUPERHINGE ALSO COMES IN A CORNER LUG VERSION

SH16C	M16 thread, corner lug, 150kg weight limit/pair
SH20C	M20 thread, corner lug, 300kg weight limit/pair
SH25C	M24 thread, corner lug, 450kg weight limit/pair
SH30C	M30 thread, corner lug, 900kg weight limit/pair



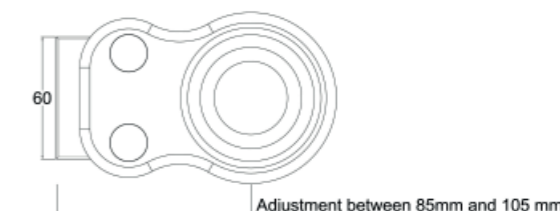
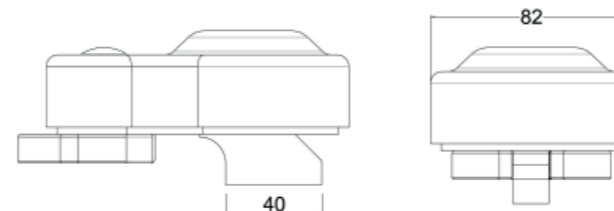
	A	B	C	D	E	F
SH16	36mm	36mm	54mm	15mm	58mm	100mm
SH20	40mm	40mm	62mm	16mm	66mm	125mm
SH25	57mm	40mm	69mm	20mm	80mm	150mm
SH30	64mm	45mm	77mm	24mm	94mm	200mm

## Stop hinge and bottom pivot set



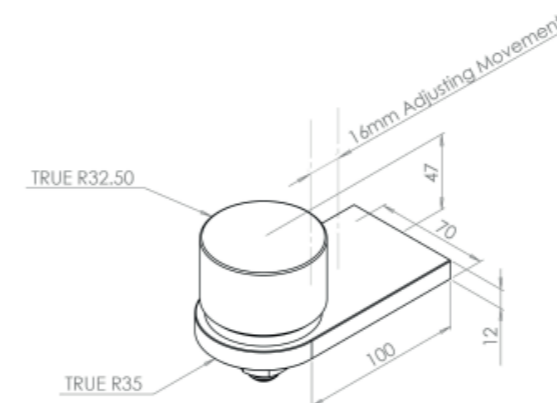
Durable hinge kit designed for welding into gates. Incorporates an integral stop meaning the gate does not open more than 100°.

- Reduces trip hazards – integral stop means a stop doesn't need to be fitted into the ground reducing trip hazards.
- Reduces pinch points – stop prevents the gate being opened more than 100° ensuring reducing gaps are kept to a minimum.
- Adjustable – both the top and bottom hinge have adjustment for precise fitting on site.
- Adaptable – can be easily changed for both left and right hand gates.
- Gate pivot can be set to be in the centre of the gate stile.



### AVAILABLE VERSIONS

STHBP	Stop hinge and bottom pivot set
-------	---------------------------------







## Push fit security collars

These push-on security collars will prevent gates with a hook and eye hinge being lifted off. Also adds a pleasing aesthetic touch to the hinges.

- Secure – once pushed on to the gate hook, protrusions inside the security collars grip the metal to prevent removal.
- Stainless steel cap gives a professional finish to a gate.



### AVAILABLE VERSIONS

SCP12	Security collar for 12mm pin
SCP16	Security collar for 16mm pin
SCP19	Security collar for 19mm pin
SCP22	Security collar for 22mm pin

## Closing hinges

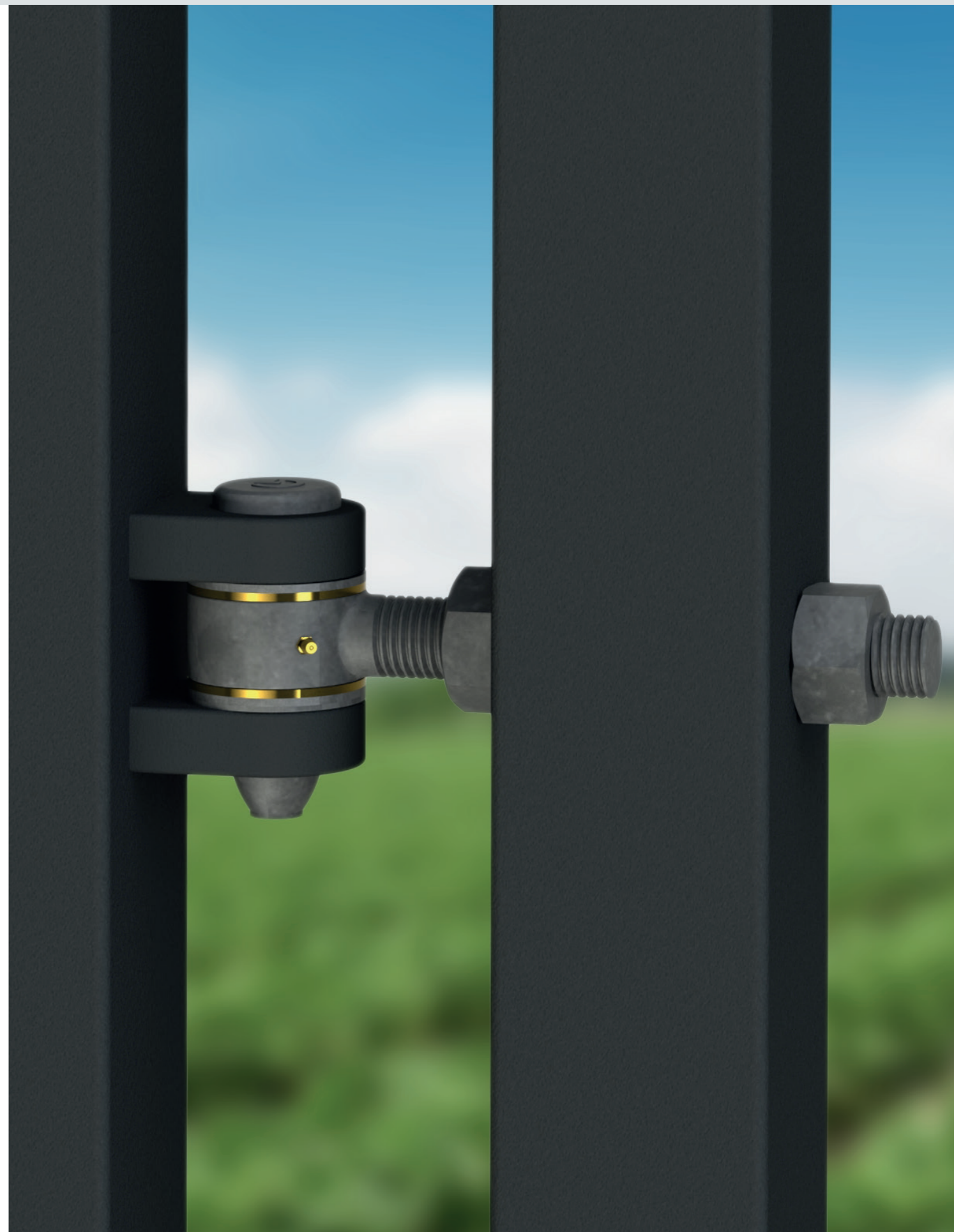
### Hydraulic gate closer

SEE PAGE 81



### Light duty spring closer

SEE PAGE 82





## GATE ACCESSORIES

Our range of **gate accessories** is designed for both ease and simplicity of use. Our range of drop bolts takes a well-established concept and enhances it with extra usability and security. Other products include gate bump stops and our innovative gate security solutions.



### Drop Bolts In-Ground Security

Not just any old drop bolts, our range is cleverly designed to ensure the bolt cannot be lifted by intruders when both gates are closed.

68



### Buffers Silent Closing

Ensure your gate closes quietly with our range of bump stops, supplied as either a standalone product or a combined slam plate with pre-fitted stops.

72



### Safety & Security Products Making Properties Safer

A range of innovative solutions to ensure the security of properties and the safety of the gate users.

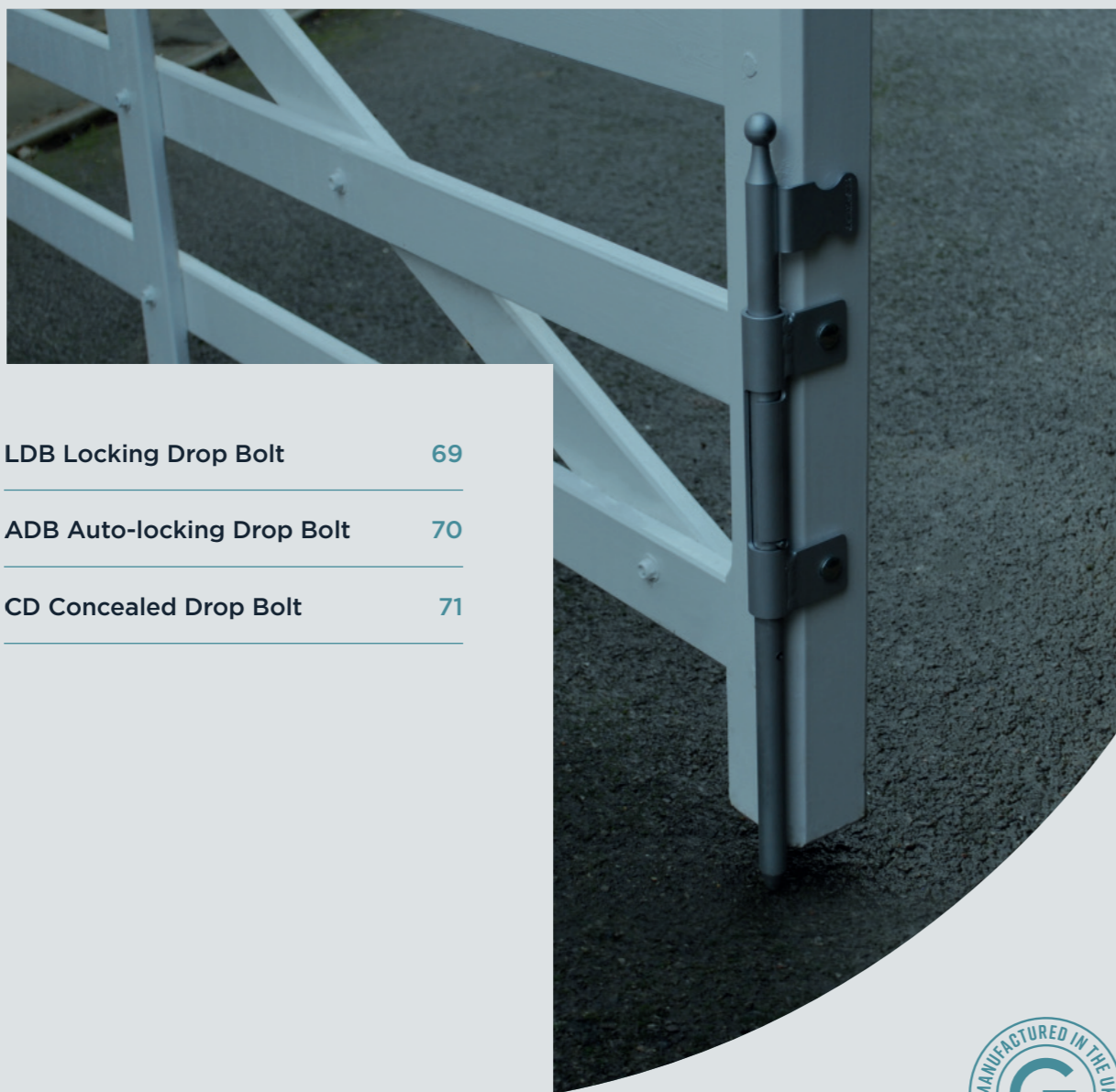
74



## Drop Bolts In-ground security

Continuous innovation gives GateMaster a constant stream of new products for gates. The GateMaster drop bolt range is designed to secure gates so that they cannot be forced apart to gain access.

We offer a range of drop bolts that can be fitted to metal gates and also products that are suitable for wooden gates. They are designed for heavy outdoor use with their solid assembly and galvanised or stainless steel finish.



LDB Locking Drop Bolt 69

ADB Auto-locking Drop Bolt 70

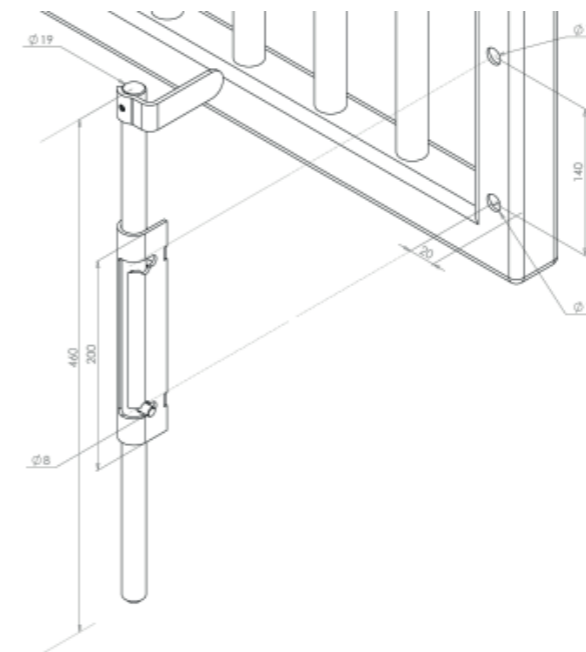
CD Concealed Drop Bolt 71



## Secure locking drop bolt

This secure locking drop bolt is easy to fit to the gate with our expanding fasteners. Used on double gates, once the drop bolt is in the ground, the locking plate is rotated round the edge of the gate, meaning when the second gate is closed the drop bolt cannot be lifted.

- Robust - strongly constructed and available in an aluminium or stainless steel finish.
- Easy to fit - needs just two 15mm holes in the gate and fixed with the expanding fasteners provided.
- Adaptable - to fit left and right hand gates.
- Innovative and secure - once the drop bolt is lowered and rotated, closing the second gate prevents the drop bolt being unlocked.



### AVAILABLE VERSIONS

LDB Locking drop bolt, aluminium

LDBSS Locking drop bolt, stainless steel



## Auto-locking drop bolt

A substantial drop bolt designed for securing double gates. The Auto-locking drop bolt is lowered and rotated so that the lifting plate folds across the edge of the first gate. The drop bolt is now locked in position, closing the second gate prevents the drop bolt being unlocked.

- Robust - the 19mm drop bolt moves 100mm ensuring the gate is bolted securely into the ground.
- Adaptable - available in either a weld fix or bolt on version.
- Ingenious design ensures that the drop bolt cannot be lifted when both gates are closed.
- Adaptable - suitable for left or right hand gates.

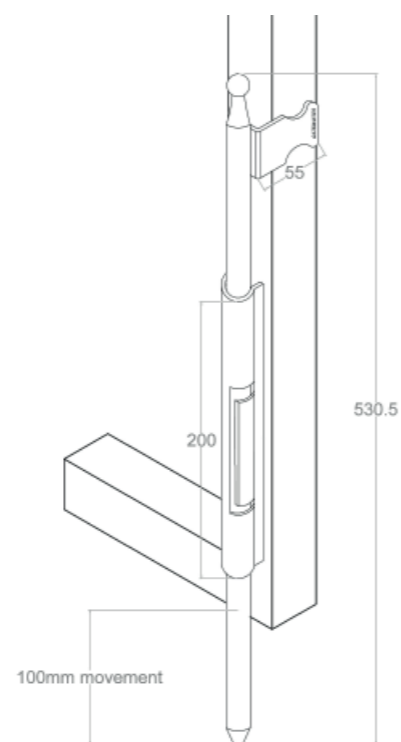
Available in a weld fix and a bolt on version. The bolt on version is supplied with fixing bolts.

ADB (WELD FIXED)  
SHOWN IN GATE



### AVAILABLE VERSIONS

ADB	Weld-on
ADBS	Screw fixed



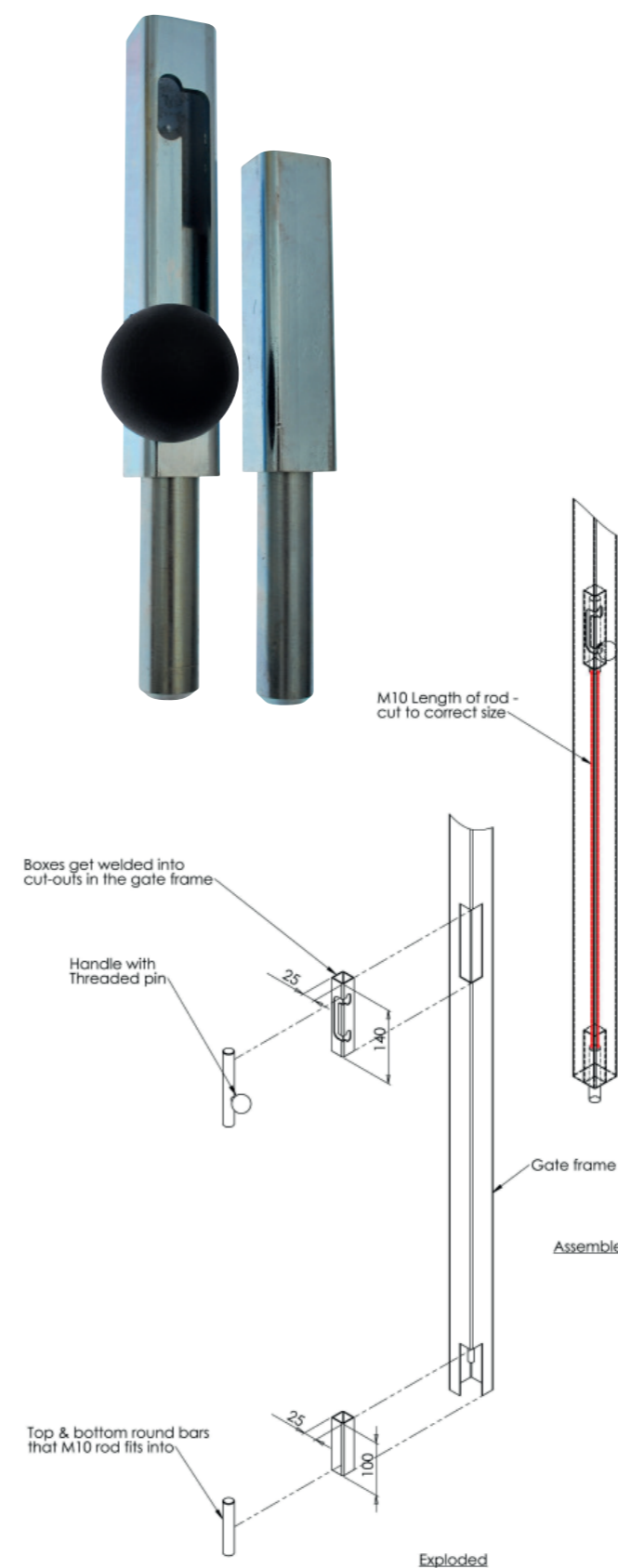
ADBS (SCREW FIXED)  
SHOWN IN GATE

## Concealed vertical drop bolt

A very neat drop bolt for single- or double gates which is enclosed within the box section of the gate. Simply cut slots in the gate stile at hand height and at the bottom and weld in the 2 boxes supplied. Once galvanised or painted the drop bolt can be assembled with M10 threaded bar (not supplied).

- Robust - the drop bolt is inside the gate frame to prevent tampering.
- Easy to fit - assembled using M10 studding which can be cut to length for use on a variety of gate sizes.
- Adaptable - fits into any box section bigger than 30mm x 30mm.
- Innovative and secure - on the double gate version, the drop bolt is lowered and rotated and locked in position. Closing the second gate prevents the drop bolt being unlocked.

Available in 2 versions: double gates and single gates.



### AVAILABLE VERSIONS

CDS	Single gate drop bolt
CDD	Double gate drop bolt





## Buffers Silent closing

Gate buffers are an important part of your gate to ensure that the gate closes without a bang. When gates are getting constantly used, especially in residential areas, adding buffers will reduce the noise created when the gate closes.

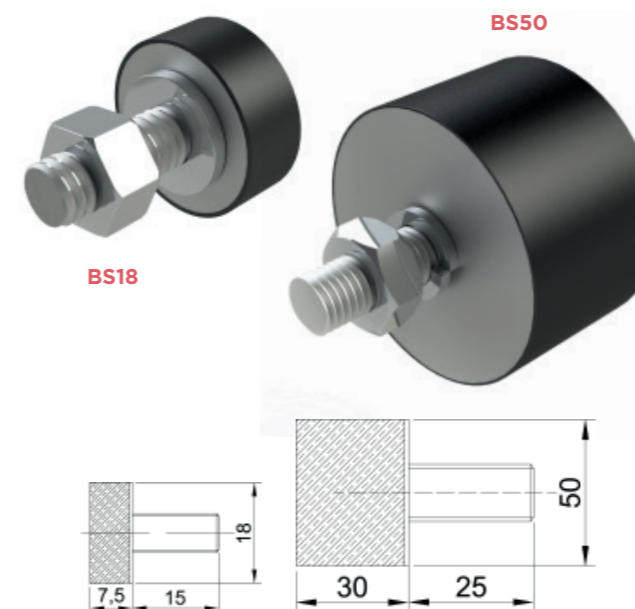
We also offer the buffers fixed to a bracket which can act as a gate stop, meaning that you don't have to fit a separate stop to prevent the gate swinging back in the other direction.



## Gate bump stop

These bump stops will reduce the noise and vibrations of the gate banging shut, often used in residential areas where noise can disturb the public.

- Noise damper - reduces the noise made when a gate closes.
- Easy to install - simply screw into the gate stop with the nut provided.
- Commonly used on pedestrian gates.



### AVAILABLE VERSIONS

BS18	18 diameter x 7.5mm, M6 x 15 thread
BS50	50 diameter x 30mm, M10 x 25 thread

## Gate silencer kit

Ensure quieter gate closing with a gate silencer kit. This is an angle bracket fitted with 2 bump stops which can be easily fitted to existing gates to prevent banging when the gate closes.

- Easy to fit - kit comes fully assembled to be bolted onto the gate post.
- Durable - black powder coat finish, designed for use outside.
- Supplied with fixings.



### AVAILABLE VERSIONS

GSK	Gate silencer kit
-----	-------------------



# Safety & Security

## Making properties safer

A range of innovative solutions to ensure the security of properties and the safety of the gate users.

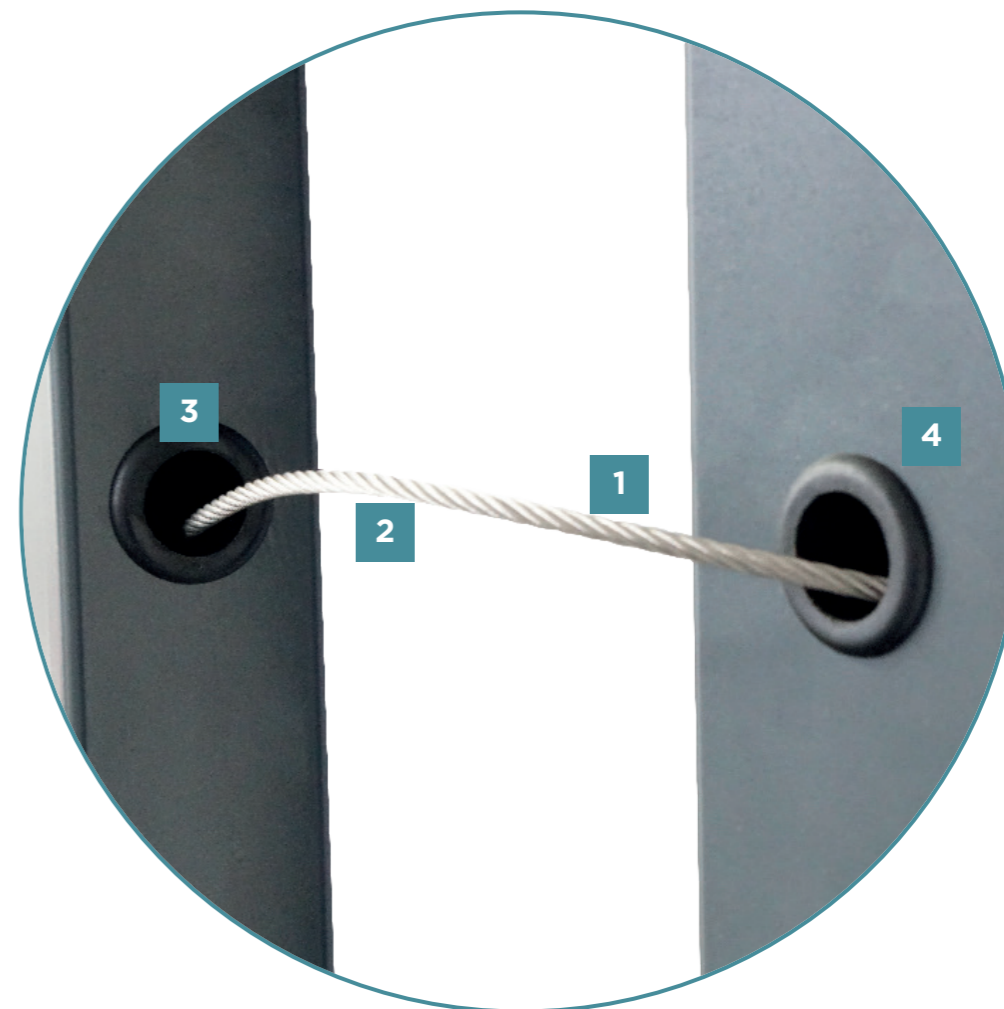


- Gate Safety Restrainer 76
- Other Safety & Security Products 77



### GATE RESTRAINER SPECIFICATIONS

- 1** Braided wire for superior strength
- 2** Stainless steel for ultimate corrosion resistance
- 3** Simple fitting, just drill 2 holes and push the stop ends in
- 4** Plastic caps ensure it slides in and out easily



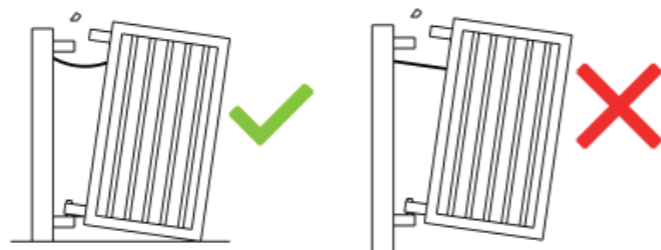


## Gatemaster Gate Restrainer

The stainless steel gate restrainer is a safety feature that reduces the risk of gates falling in the event of hinge failure. This strong but simple device is a great backup for swing gates when there is potential for the gate hinges to fail and cause fatal harm to pedestrians or damage to property.

- Heavy duty – strongly constructed from flexible braided stainless steel wire and stainless steel end stops.
- Easy to fit – just needs 2x 13mm holes.
- Adapable – fits on any box section gate and can easily be retro-fitted.
- Stainless steel – suitable for all outdoor environments.
- Neat and unobtrusive – makes a nice finish to any gate of any colour!
- Tested on gates up to 500kg.

Please note – this solution is based on the assumption that in the event of hinge failure, the edge of the gate will hit the ground before the restrainer comes into play. The device is designed to prevent the gate falling sideways rather than taking its full weight. If the dimension from the bottom of the gate to the ground is longer than the restraining device, the device may not be suitable for your gate.

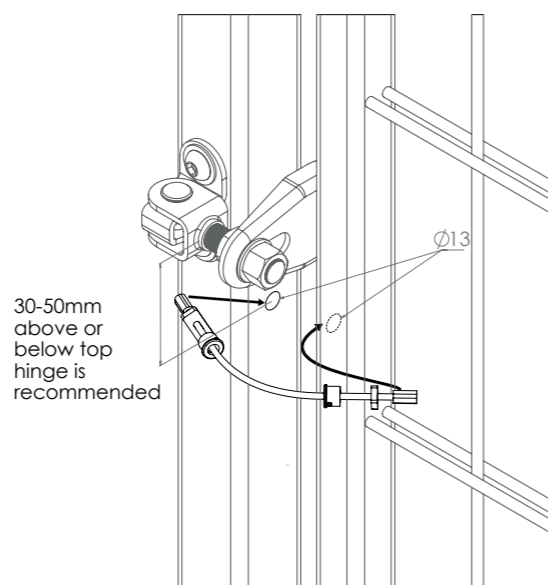


### AVAILABLE VERSIONS

(based on a maximum gate width of 2.5m)

GRS03 For gates up to 260kg

GRS04 For gates up to 500kg



## OTHER SAFETY & SECURITY PRODUCTS

### Weld-on security escutcheon

Weld on to protect an exposed euro cylinder from attack.

#### AVAILABLE VERSIONS

WSE04 4mm thickness

WSE08 8mm thickness

WSE12 12mm thickness



### Stainless steel security escutcheon

Screw-fixed escutcheon to cover euro cylinder hole and protect it from attack.

#### AVAILABLE VERSIONS

SSE Stainless steel security escutcheon



### Push-fit security collar

Fit to a hook and eye type hinge to prevent the gate being lifted off.

**SEE PAGE 64 FOR MORE INFORMATION**

#### AVAILABLE VERSIONS

SCP Push-fit security collar



### Light duty spring closer

Used on sites or platform gates to ensure gate is always kept closed, keeping workers safe.

**SEE PAGE 82 FOR MORE INFORMATION**

#### AVAILABLE VERSIONS

LDSGC Light duty spring closer





## GATE CLOSERS

Gatemaster has one of the largest ranges of **mechanical gate closers** in the world. Our gate closers are easily adjustable and built for all environments.



### Gate Closing Strut Simple, Reliable Closing

A simple and reliable gas strut closer that has been proven over many years.

80



### Hydraulic Gate Closer Adjustable Consistency

A robust and easy to fit gate closer for welding on to the gate, perfect for use on playgrounds and schools.

81



### Light Duty Gate Closer Cost-Effective Safety

A solution for temporary or light weight gates, ensuring the gate is always kept closed for the safety and security of labourers.

82



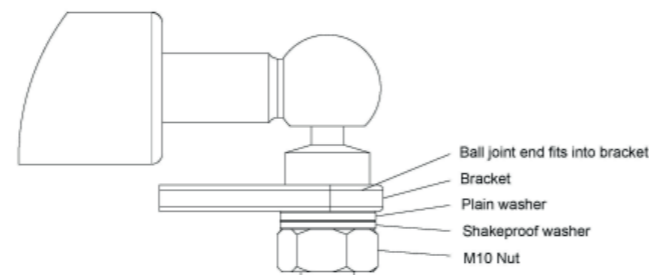


## Gate closing strut

The reliable and long lasting GSB gate closer is ideal for closing gates up to 80kg. Simply weld or screw fix the brackets to the gate and post and fit the closer to the brackets. The unique hydraulic damping ensures that the gate will close slowly.

- Adaptable - the closer comes with either weld on or screw fixed brackets for fitting to a range of different gate types.
- Reliable - a proven closer that has been closing gates regularly for many years.
- Adjustable force - no need to release gas, the closer can be moved along the brackets to increase or decrease the force. This means the strength of the close can be adjusted.
- Easy to fit - adjustable brackets also mean there is no need to compress the strut when fitting to a gate.
- From experience these closers can close much heavier gates if the hinges are free running. Contact us if you are unsure on your particular gate.
- If permanent force reduction is required, a gas release tool is available - contact the Gatemaster team for more information.

Weld-fix or screw-fix brackets are available, giving the option for fitting to metal or wooden gates.



### AVAILABLE VERSIONS

GSB	Weld-fix bracket
GSBW	Screw-fix bracket



SCREW-FIX VERSION (GSBW)  
SHOWN FITTED TO GATE

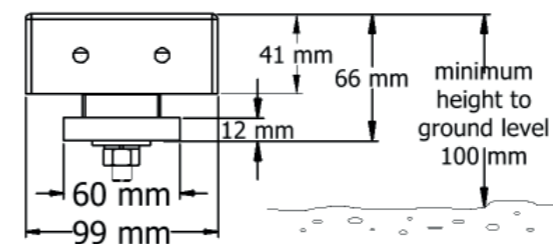
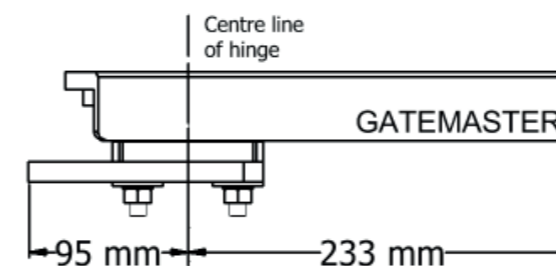
## APS hydraulic gate closer & hinge kit



This hydraulically controlled gate closer and top hinge kit has been developed using proven technology to provide safe and reliable gate closing.

The closer and top hinge kit is specially designed for incorporating into gates that need to be self-closing.

- Robust - the closing unit fits underneath the gate making it vandal resistant.
- Strong - can be used to reliably close gates up to 150kg.
- Easy to install - as it is a hydraulic closer, no power is needed.
- Unobtrusive - the closer also acts as a load bearing lower hinge.
- Adjustable - a top hinge assembly which is fully adjustable to enable the gate to be positioned correctly after installation.
- Option on top hinges - built in standard hinge (APS) or with built in stop to prevent the gate opening more than 90° and damaging the closer (APSSTOP).
- Also available as a bolt-on version (APSW).



### AVAILABLE VERSIONS

APS	Standard hinge
APSSTOP	Gate closer with stop hinge
APSW	Gate closer, bolt-on installation



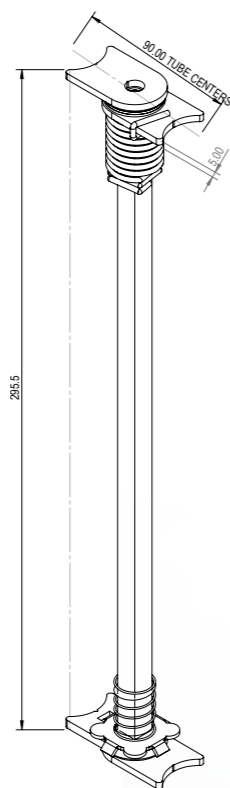
APSSTOP SHOWN IN GATE



## Light duty spring closer

The light duty closer is a popular product for access gates that need to be kept closed for safety reasons. Can be easily welded to small gates and fabrications for a simple and reliable close.

- Easy to fit - simply weld on the lugs and adjust the force as necessary.
- Adjustable spring tension - simply adjust spring tension on site by lifting and rotating the adjuster wheel.
- Supplied to self colour - to be galvanised and painted with the gate.



### AVAILABLE VERSIONS

LDSGCL	Left hand
LDSGCR	Right hand





Unit 5 Dickinson Place, Durban Road Industrial Estate, Bognor Regis, West Sussex PO22 9QU United Kingdom  
**Phone:** +44 (0)1243 558580 **Email:** sales@gatemasterlocks.com **Web:** www.gatemasterlocks.com