

METAL SIDING

INSTALLATION MANUAL



General Installation Procedures for Gentek Aluminum and Steel Siding Products



A TRADITION OF QUALITY

Gentek Building Products is a leading manufacturer and distributor of siding products in North America. With over 55 years of industry expertise and more than 1 million sq. ft. dedicated to production and inventory, Gentek is proud to offer extensive lines of aluminum, steel and vinyl sidings and accessories for residential and light commercial applications.

Throughout our product lines, you can depend on high-grade finishes, distinctive profiles and superior craftsmanship – as well as powerful warranties and exceptional value.

Our metal sidings are long lasting, durable, easy to clean, strong yet light in weight, and low maintenance. Unlike wood, metal sidings won't rot, split, warp or crack and are not affected by moisture or insects.

Available in a wide variety of styles, colours and finishes, Gentek metal sidings provide long-term protection and beauty that will enhance any exterior application.

ABOUT THIS MANUAL

We suggest you read over the entire manual for familiarization before starting out. As you read, you will want to refer to the nomenclature drawing on page 9 to help you with commonly used industry terms. You may also wish to cross-check various sections of the manual as you read.

Installing metal siding can be fairly simple if you follow the instructions in this manual. Installation procedures for aluminum or steel siding are nearly identical with one exception – cutting procedures. See page 20 for instructions on cutting methods. Each section of this installation manual is designed to guide you through every step of the job with practical advice based on years of industry practice and experience. Please note, however, that this manual is designed to help the qualified siding installer; it is not intended for use by homeowners.

The techniques discussed in this manual are illustrative of the procedures covered. They are not intended to be fully exhaustive and definitive. Other methods and techniques are used by qualified installers with full success.

The best method depends on the specific construction of the building worked on, the brand and type of siding used, and the particular skills of the applicator.

Although the manual is based on some of the best information and experience currently available in the industry, Gentek Building Products does not make any representation or warranty, express or implied (whether of merchantability or of fitness for a particular use or purpose) with respect to any tools, material, techniques or procedures referred to herein.

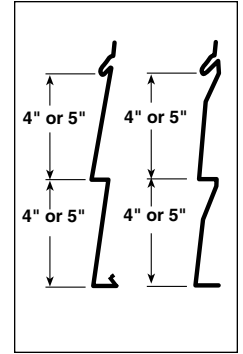
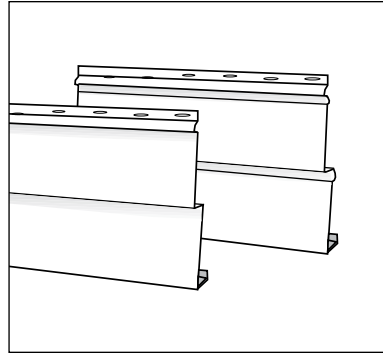


| | | |
|---------------------------|-----------|---|
| PLANNING | 4 | Siding styles |
| | 5 | Accessories |
| | 6 | Tools required |
| | 7 | Equipment |
| | 8 | Material estimating |
| | 9 | Nomenclature |
| INSULATION | 10 | Saving energy |
| GETTING STARTED | 11 | Preparation |
| | 12 | Furring and insulation techniques |
| | 14 | Base chalk line |
| | 15 | Inside corner posts |
| | 16 | Outside corner posts |
| TRIM | 17 | Starter strip |
| | 18 | Window and door trim |
| | 19 | Window and door trim – gable end trim |
| INSTALLATION | 20 | Cutting procedures |
| | 21 | Installing the siding |
| | | First course |
| | | Lapping |
| | | Overlapping |
| | | Expansion and contraction |
| | | Proper staggering |
| | | Improper staggering |
| | | Backer tabs |
| | 24 | Nailing and stapling |
| | 25 | Individual corner caps |
| | 26 | Panels at windows and doors |
| | 28 | Fitting at gable ends |
| | 29 | Fitting under eaves |
| | 30 | Insulated siding |
| | 31 | Vertical siding |
| | 33 | Caulking and clean up |
| SPECIAL SITUATIONS | 34 | Repairs and miscellaneous |
| | | Replacement of damaged panel |
| | | Replacement of damaged corner post |
| | | Transitions |
| | | Vertical over horizontal |
| | | Horizontal over vertical |
| | | Short panels between openings |
| | | Difficult condition starter strip application |
| FINAL TOUCHES | 36 | Soffit and fascia |
| | 38 | Rainware |
| WORKSHEET | 40 | Siding material estimating |

SIDING STYLES

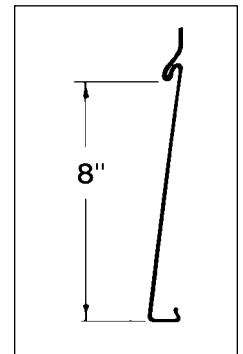
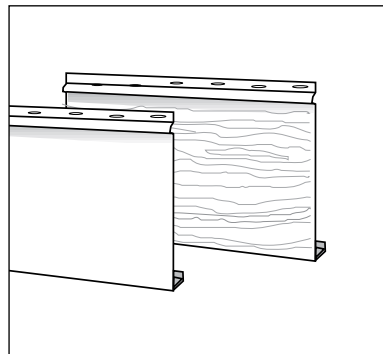
DOUBLE 4" AND DOUBLE 5" HORIZONTAL

Double 4" and Double 5" sidings are available in flat clapboard or beveled Dutch lap profile. The sidings have the appearance of two individual 4" or 5" boards resulting in 8" or 10" total exposure per panel. These are the most commonly used metal sidings today and are offered in a wide variety of colours, finishes and textures – typically smooth or woodgrain embossed.



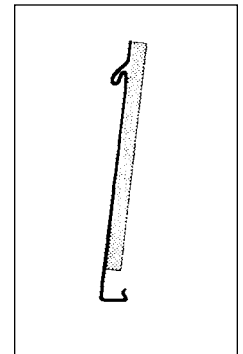
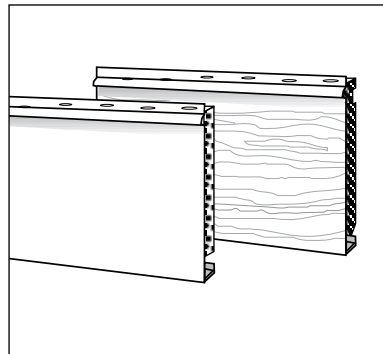
8" HORIZONTAL

The 8" clapboard profile resembles wood lap siding. The panel is available in both smooth and woodgrain embossed textured surfaces in a variety of finishes and colours.



INSULATED SIDING

Drop-in backer board is available and can be combined with Double 4", Double 5" or 8" siding panels at the time of installation.

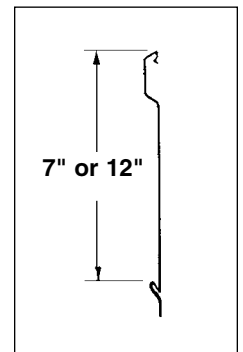
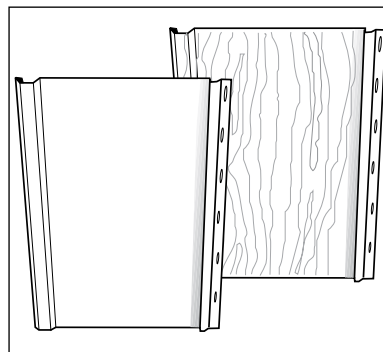


VERTICAL SIDING

Available in board and batten or V-groove profiles, vertical siding is often used as an accent on gable ends for one story homes, or for breaking up long, horizontal sweeps. It is offered in a wide range of colours in both embossed woodgrain textures and smooth finishes.

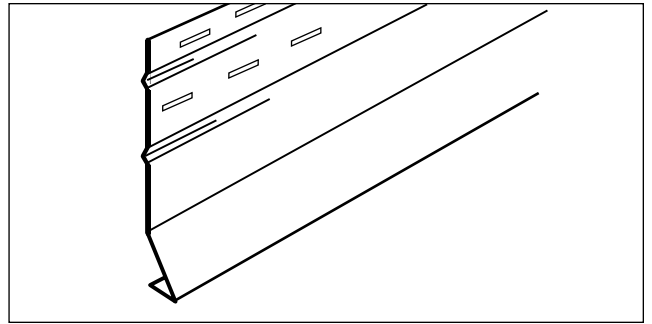
Note: Angle of Installation

Siding and trim should not be installed at angles greater than 15° from vertical, such as roofing material for example.



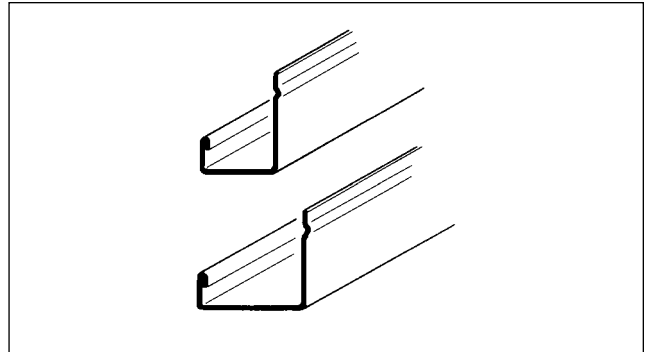
STARTER STRIP

Base-line accessory which secures the first course of siding to the wall. Used with horizontal and vertical siding. Nail 12" O.C. (on centre).



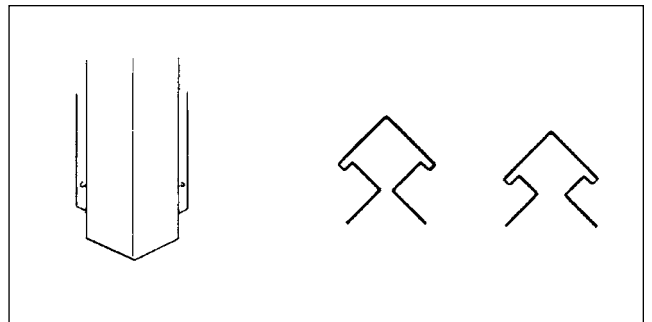
J-CHANNEL

Used for receiving siding on all sides of windows and doors, at rake edges of gables and in other miscellaneous situations. Deeper J-channels are for insulated siding, and narrower J-channels for non-insulated siding. Nailed 12" O.C.



OUTSIDE CORNER POST

Provides neat appearance outside corners for horizontal and vertical sidings. Receives siding from both sides. Deeper post is used with insulated siding, and narrower post with non-insulated siding. Both flanges are nailed 12" O.C.

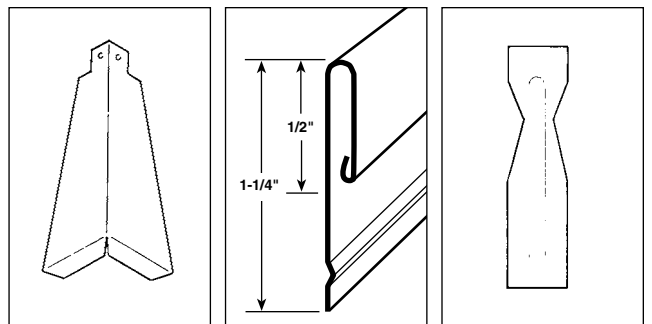


INDIVIDUAL OUTSIDE CORNER CAP

Possible alternative to outside corner post when installing 8" horizontal siding. Maintains continuity of siding courses in traditional clapboard style. Make sure nails are of adequate length.

SNAP-LOCK FINISH TRIM

Used to finish off ("trim") job-site cuts on siding, as under windows, at eaves, and at porch door locations. May also be used to receive vertical siding at corners and window jambs. The snap-lock design allows siding to be notched and locked into place without face nailing.



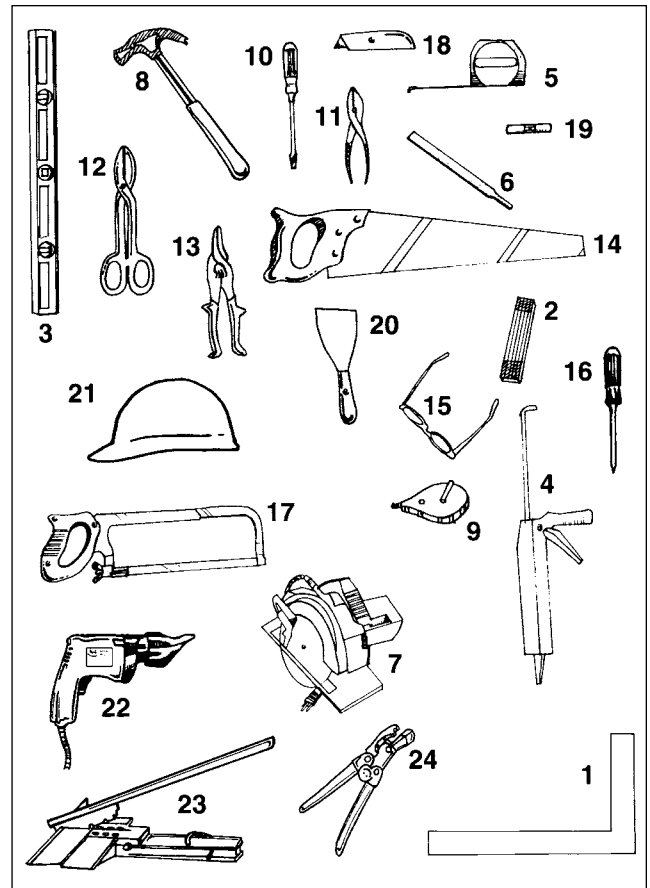
BACKER TAB

Provides support for non-insulated 8" siding at panel overlaps (joints), and behind panels at corners to ensure a smooth installation.

TOOLS REQUIRED

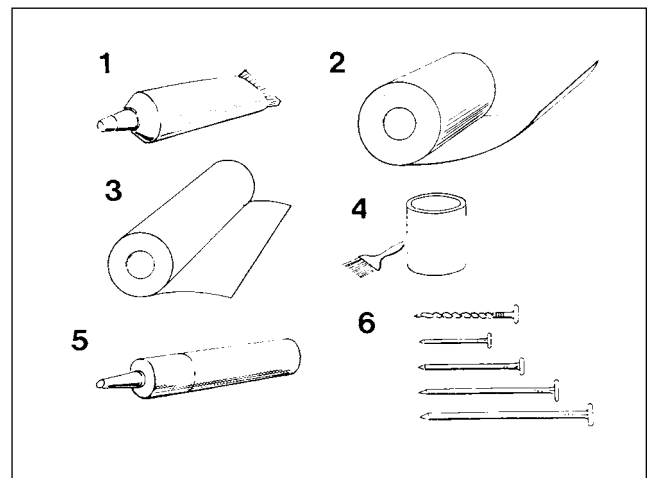
THE SIDING APPLICATOR'S JOB CAN BE MADE MUCH EASIER WITH THE PROPER TOOLS. HERE IS A LIST OF THE MOST ESSENTIAL:

1. Carpenter's Metal Square
2. Carpenter's Folding Rule
3. 2' Level (minimum)
4. Caulking Gun
5. Steel Measuring Tape
6. Fine-Tooth File
7. Power Saw (optional)*
8. Claw Hammer
9. Chalk Line
10. Screwdrivers
11. Pliers
12. Tin Snips – Duckbill Type
13. Aviation Shears – Double-Acting
14. Carpenter's Saw – Crosscut
15. Safety Goggles
16. Steel Awl
17. Metal-Cutting Hacksaw (fine-tooth with 24 teeth per inch)
18. Utility Knife
19. Line Level
20. Putty Knife – 3"
21. Hard Hat
22. Electric Nibbler (optional)
23. Siding Cutter (optional)
24. Snap-Lock Punch Tool



ADDITIONAL MATERIALS REQUIRED:

1. A gutterseal mastic
2. Trim sheet – available in various widths
3. Aluminum breather foil – usually 36" wide rolls
4. Touch-up paint – colours to match siding (for vents, kitchen fans, service cables, etc.)
5. Caulking – preferably a butyl or silicone caulk
6. Aluminum or hot-dipped galvanized steel nails –
 - 1-1/2" for general use
 - 2" for residing
 - 2-1/2" (or more) through insulated siding into soft sheathing
 - 1" to 1-1/2" trim nails, coloured to match siding

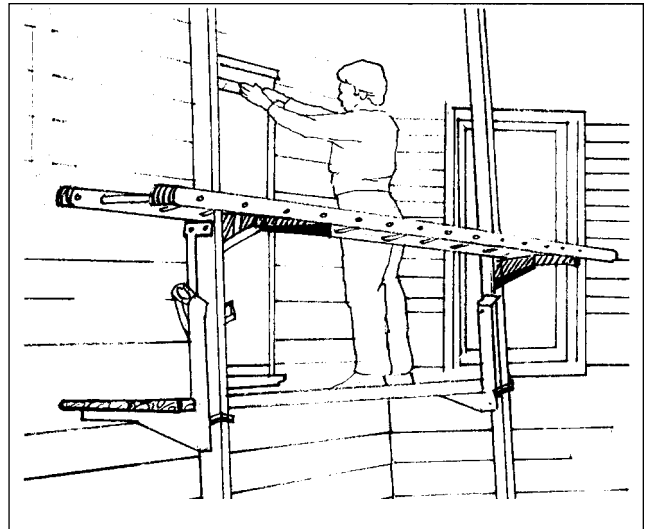


Note: A minimum penetration of 3/4", excluding point of nail, into solid lumber is required for nailing to be effective with plain shank nails. Ring or screw shank nails could be used through 1/2" plywood for similar effectiveness.

*For Aluminum – Use aluminum cutting blade 1/16" thick, minimum 10 teeth per inch.
For Steel – A power saw can be used on steel if using an approved Tenryu saw blade. Consult siding manufacturer.

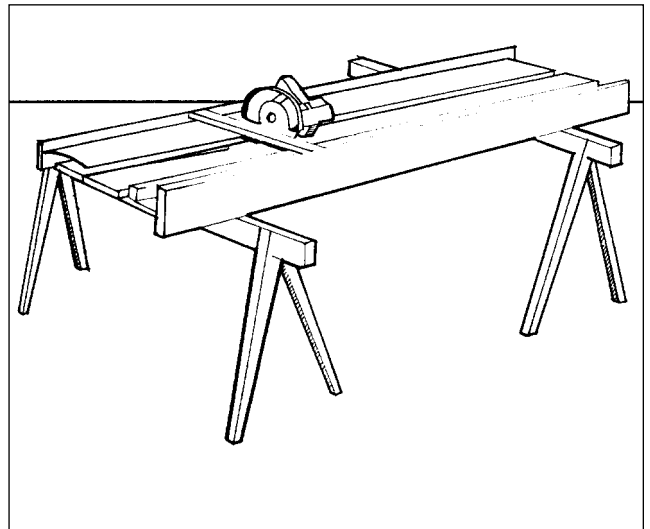
LADDERS AND SCAFFOLDS

Proper ladders and scaffolds are necessary. The pump jack is widely used to provide a working platform. The posts upon which the pump jacks move are normally two 2" x 4" planks nailed together to form a 4" x 4" post. With a pump jack platform, the distance from the building facade remains the same from the bottom to the top. Exact specifications on spacing dimensions, planking, permissible heights and loads, etc., are contained in the OSHA Construction Safety and Health Regulations under section 1926.450 and 1926.451 covering ladders and pump jacks. Contact your local OSHA office.



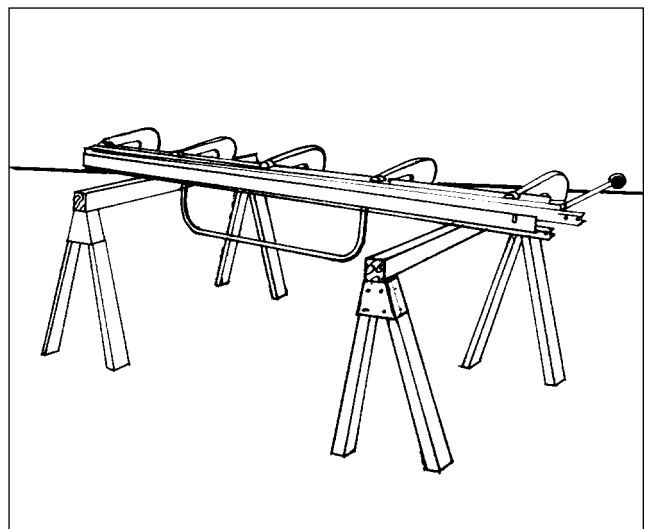
CUTTING TABLE

For a more efficient and professional operation, specialized equipment is available. A valuable time-saver is the portable cutoff table or trim table, which allows a standard portable circular power saw to be mounted in a carrier and stood off from the work to avoid damaging the siding. These tools can help measure and crosscut, as well as help make miter and bevel cuts for siding, soffit, and trim. The units are constructed of lightweight aluminum and can be easily setup on the job site by one person.



PORTABLE BRAKE

For job site bending of custom-trim sections, such as fascia trim, window casing and sill trim, a portable metal-bending machine (brake) is extremely useful. Utilizing white or coloured coil stock, precision bending involving multiple bends can be accomplished. These machines are lightweight and can be carried to the job site and set in place. Various sizes and brake styles are available.

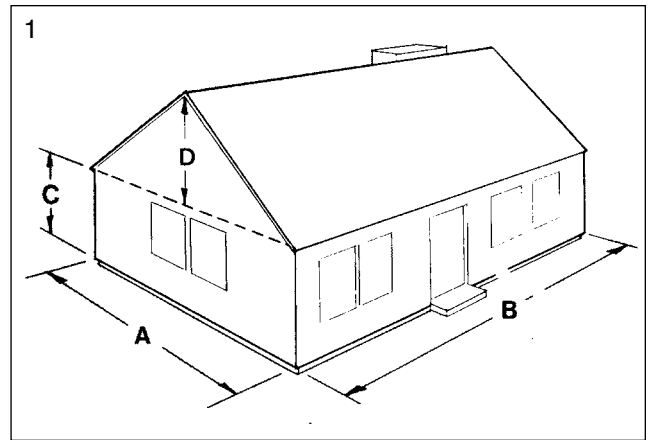


MATERIAL ESTIMATING

SIDING

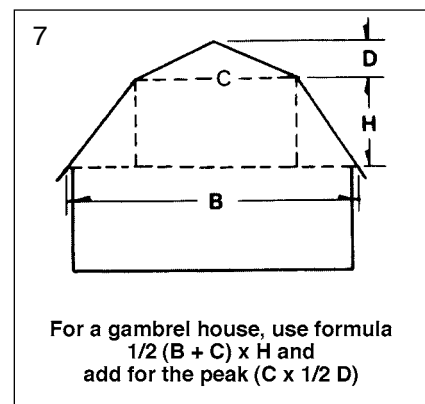
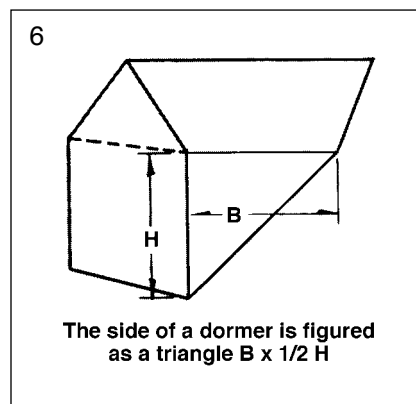
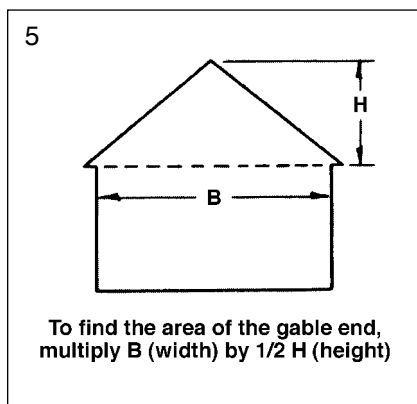
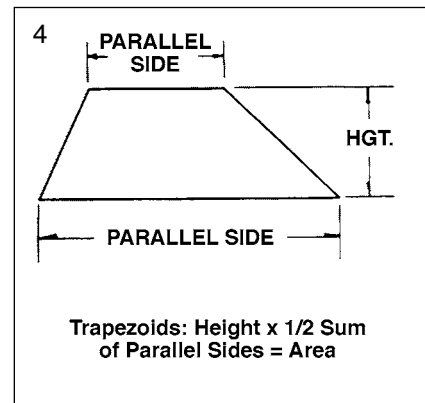
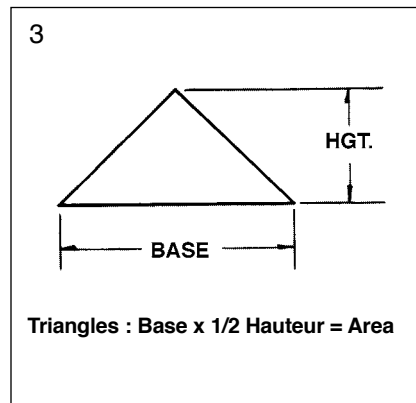
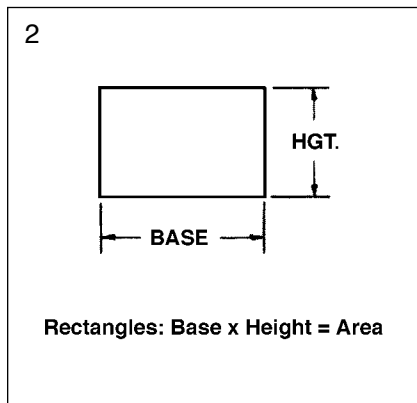
In order to arrive at the amount of siding necessary to cover a house, the measuring operation can be reduced to simple steps. Virtually all houses are made up of a series of rectangles or triangles or a combination of both, regardless of how broken up the face of a wall appears to be. Using the formula below (Fig. 2), measure the height (excluding gables) and width of each side of the house (including windows), and arrive at the area in square feet for each. Now compute gable triangle areas by the formula below (Fig. 3). Total all of these areas. Windows and door areas are generally not deducted, as including those in the wall area figures will provide an allowance factor for waste. If these window and door areas are extremely large (such as garage doors or sliding glass doors), some deduction might be made. Dormers and gables are traditionally prone to material waste due to cutting and fitting; to compensate, add 1' in height to the original measurements to allow for waste. For vertical siding allow approximately 20% of additional material for waste.

Note: Also see siding material estimating worksheet on back cover.



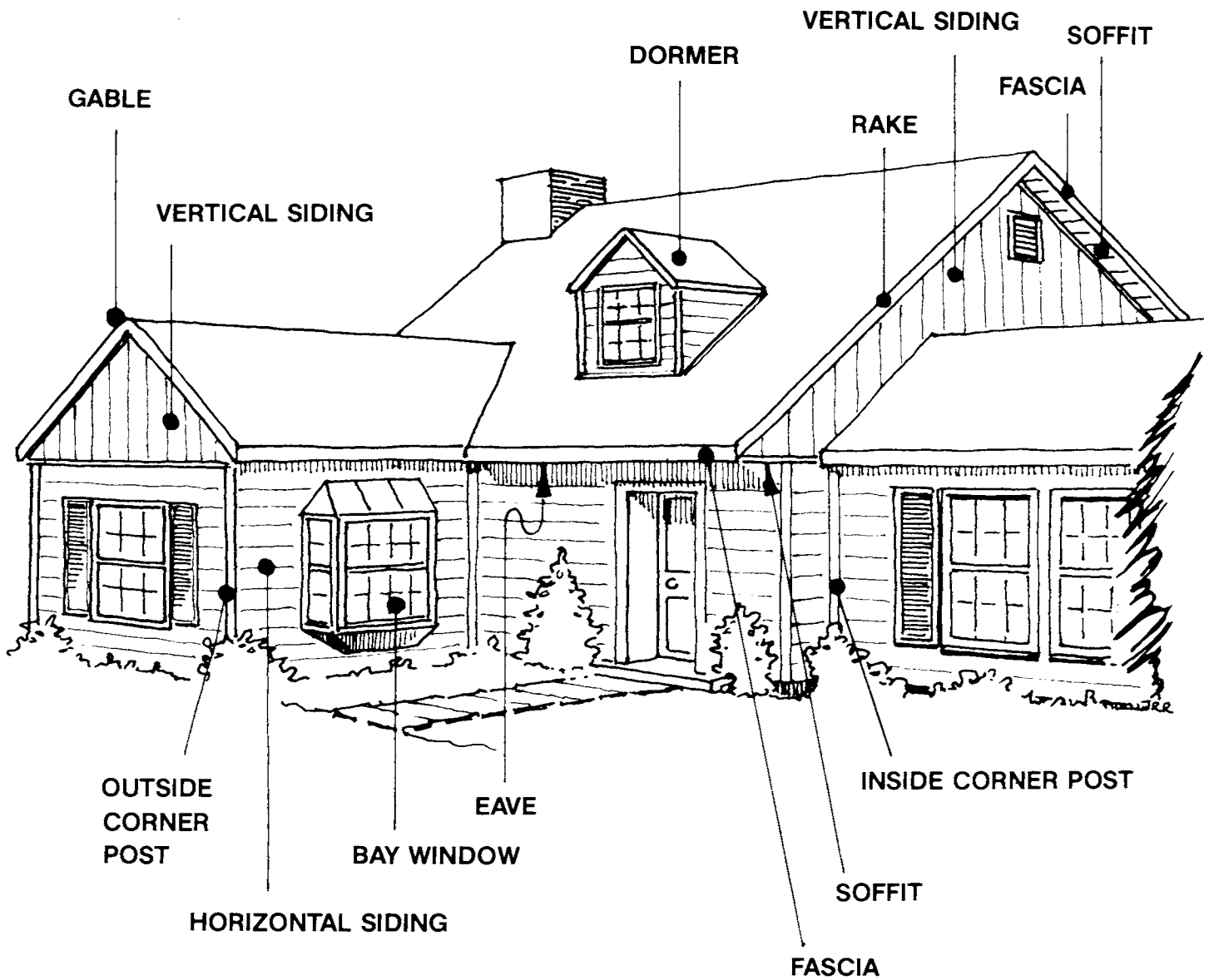
ACCESSORIES

For amount of starter strip required, measure the lineal feet around the entire base of the building to be covered. For corner posts and accessories, also measure in lineal footage. Measure lineal footage and add a factor of approximately 10% to allow for waste. Furring estimates may also be required (see page 12).



NOMENCLATURE

Throughout this book references will be made to various parts and pieces associated with house construction. The drawing below identifies the most common descriptive terms and shows their location on a typical house.



HOUSE INSULATION

Today's concern with saving energy has brought about a vastly increased interest in better insulation of house sidewalls. Insulated siding offers a convenient, economical method of reducing heating and cooling costs. Homeowners who have already decided on siding can realize fuel cost savings by upgrading to the additional insulation techniques described in the accompanying diagrams. Siding installed with aluminum breather foil, furring strips, or insulation board sheathing may substantially increase the insulation value of typical uninsulated wall constructions. The additional costs of any of these added insulation systems may be recoverable within subsequent heating seasons through annual heating savings.

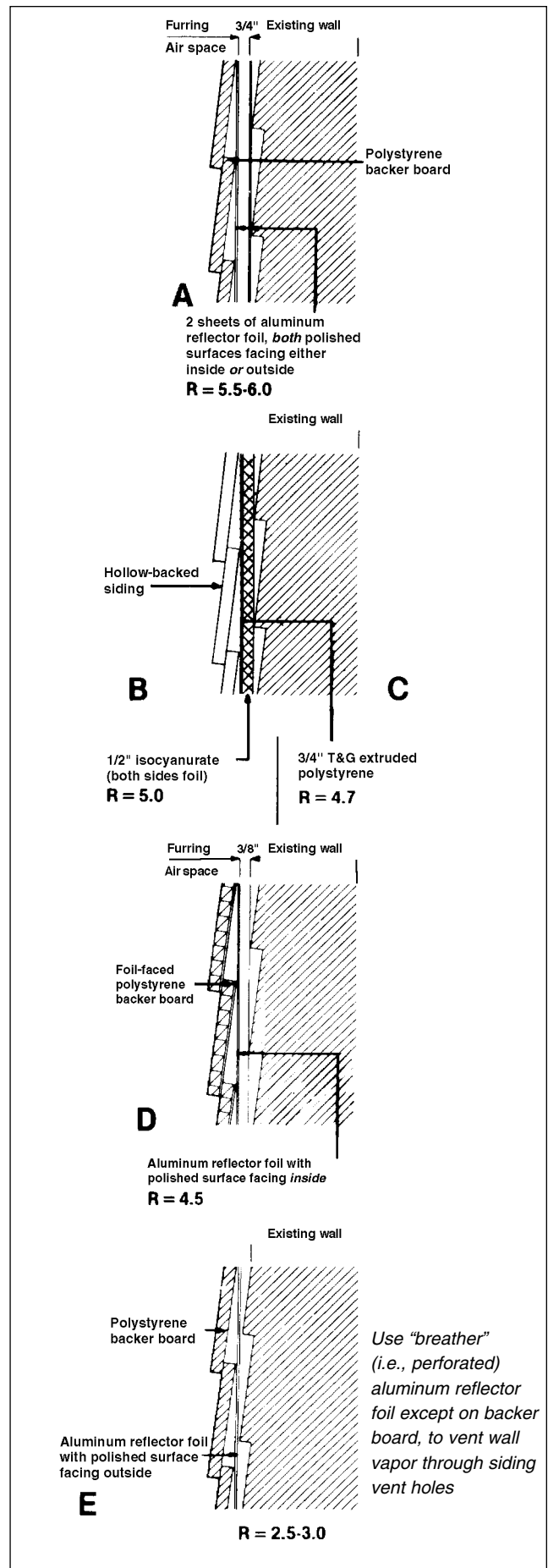
Construction materials are measured by thermal resistance values (R-values), and the higher the number the better the insulation properties.

The accompanying diagrams give the R-values that may be realized by following the specific constructions described. These values are in addition to the existing wall, which may or may not have good insulation properties. Air spaces, aluminum breather foil, and furring all contribute to increased R-values. For instance, if aluminum foil is used with 3/4" wood furring strips, the R-value will be more than triple that of 3/4" furring strips alone.

The shiny surface of the foil should always face toward an air space, but it makes no difference which side of the air space the polished surface faces. Aluminum reflector foil reflects heat waves back when it is on the cold side of an air space, and when it is on the warm side, it retains heat. For remodeling work, always use perforated ("breather") aluminum reflector foil (with a "perm rating" of at least 10) to prevent condensation which can be caused by warm air vapor migrating through the wall and condensing on cold foil.

A study and comparison of the diagrams clearly indicate the gains possible through added insulation techniques. (Installation over old wood lap siding is assumed).

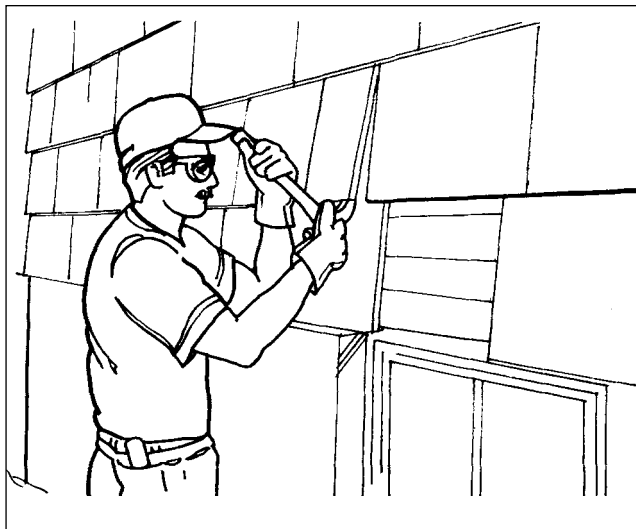
Another companion insulation option for the homeowner at this time could be the contracting for blown-in-the-wall insulation since the drilled access holes in the old siding, required for this process, will be covered up by the new siding.



SURFACE PREPARATION

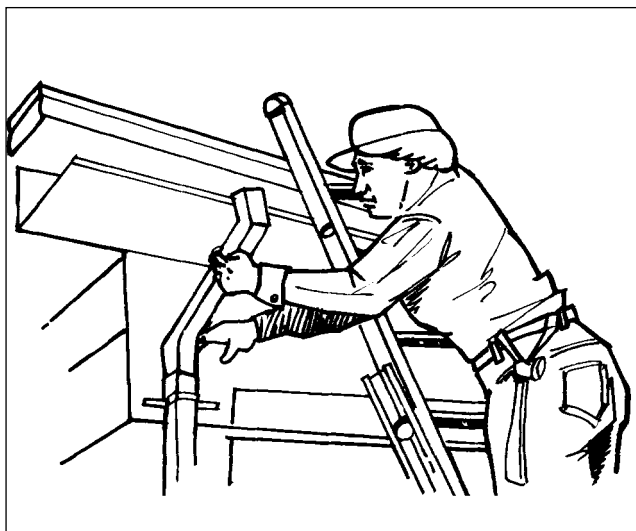
IMPORTANT: Prepare wall surface correctly for smooth, even base prior to siding installation to ensure quality of finished job. Oil canning can occur if wall surface is not properly prepared. Please see pages 12-13 on proper preparation techniques.

The quality of the finished job depends on good preparation of the work surface. Check for low places in the plane of the wall and build out (shim out) if required. Prepare the entire building a few courses at a time. Securely nail all loose boards and loose wood trim. Replace any rotted boards. Scrape away old paint buildup, old caulking and hardened putty, especially around windows and doors where it might interfere with the positioning of new trim. New caulk should be applied to prevent air infiltration.



REMOVE DOWNSPOUTS/TIE BACK SHRUBS

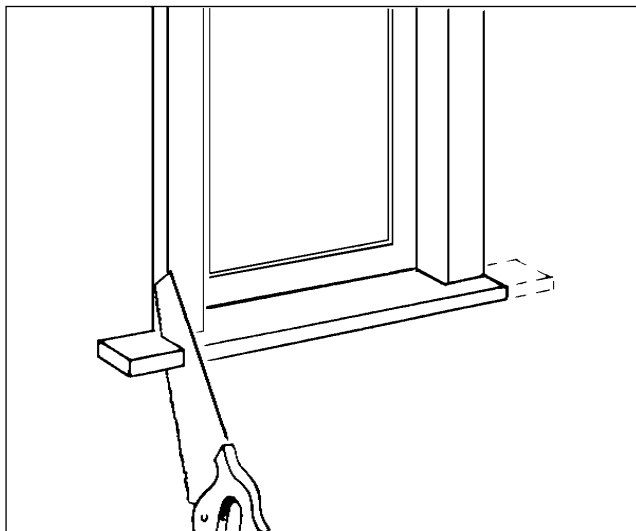
Remove downspouts and other items that would interfere with installation of new siding. Tie back shrubbery and trees from the base of the building to avoid damage to the landscaping.



WINDOW SILL PREPARATION

Window sill extensions may be cut off so J-trim can be installed flush with window casing.

Alternatively to maintain the original window design, coil stock can be custom-formed around the sill instead of cutting away the sill extensions.

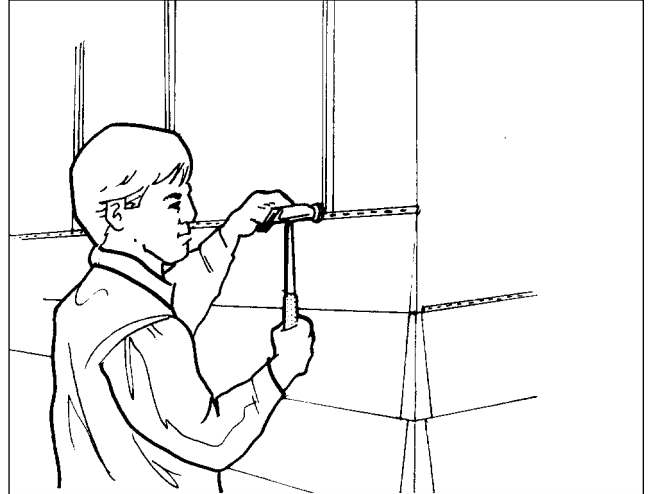


FURRING AND INSULATION TECHNIQUES

IMPORTANT: Assess walls before installation to ensure walls are completely flat using the method of choice (i.e., laser level, plumb bob line, etc.). If the wall surface is not a smooth, even base prior to installation, oil canning can occur.

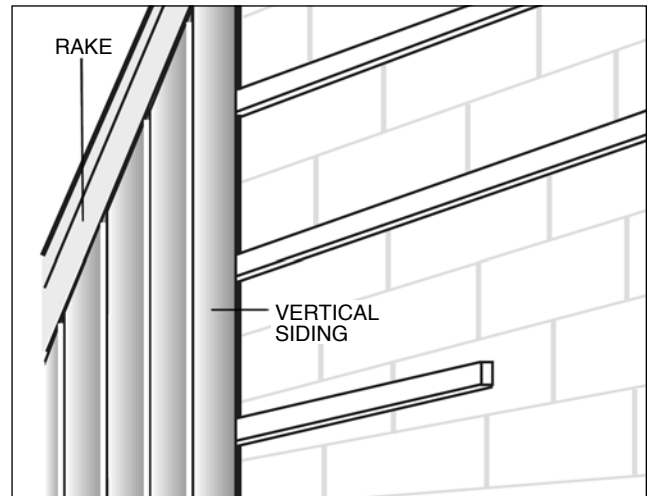
WOOD FURRING FOR HORIZONTAL SIDING

Furring is building out from the wall surface to provide a smooth even base for nailing on the new siding. Lath strips $\frac{3}{8}$ " thick are most commonly used. Lumber strips 1" x 3" are often used over brick and masonry. Furring is not usually necessary in new construction, but older homes often have uneven walls, and furring out low spots, or shimming, can help prevent a wavy appearance to the siding installation. Insulation value can be added by furring out an entire wall. Furring should be installed vertically 16" on centre for horizontal siding, and the air space at the base of siding should be closed off with strips applied horizontally. Window, door, gable and eave trim may have to be built out to match the thickness of the wall furring.



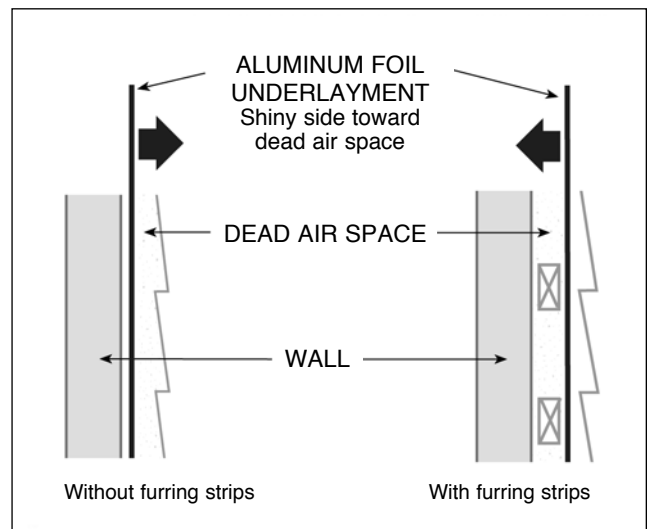
WOOD FURRING FOR VERTICAL SIDING

Furring for vertical siding is essentially the same as for horizontal siding, except the wood strips are securely nailed horizontally into structural lumber on 16" to 24" centres. When using 1" x 3" furring, again be sure to check what effect the additional thickness might have on trim situations.



ALUMINUM FOIL UNDERLAYMENT

Aluminum reflector foil is a good insulator and can be used advantageously as an underlayment to siding. It may be stapled directly to the existing wall, or over $\frac{3}{4}$ " furring strips to provide an additional air space and better insulation. Reflector foil for remodeling must be of the perforated or "breather" type to allow passage of water vapor. The foil should be installed with the shiny side facing the air space (outward with no furring, inward if applied over furring). Foil is generally available in 36" and 48" wide rolls. Nail or staple just before applying siding. When applying foil over furring, be careful not to let the foil collapse into the air space. Place foil as close as possible to openings and around corners where air leaks are likely to occur, and overlap side and end joints by 1" to 2".



FURRING AND INSULATION TECHNIQUES

IMPORTANT: Assess walls before installation to ensure walls are completely flat using the method of choice (i.e., laser level, plumb bob line, etc.). If the wall surface is not a smooth, even base prior to installation, oil canning can occur.

UNDERLAYMENT BOARD

Underlayment board is often used instead of furring strips. It is available in large sheets and in accordion-fold panels, and can be nailed or stapled to the old wall. Some versions are faced two sides with perforated aluminum foil, which provides a considerable increase in insulation value. The core constructions vary from cellular kraft to polystyrene. The board should have a vapor permeance of at least 10 perms. Taping joints with duct tape minimizes air infiltration and possible thermal loss.

WINDOW AND DOOR BUILD-OUT

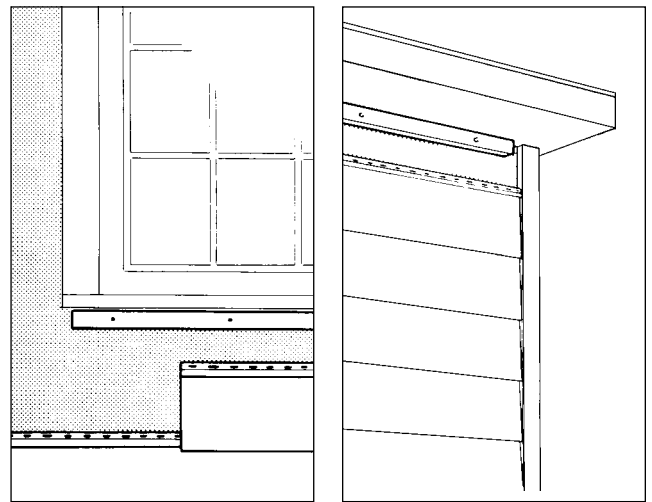
Some trim build-out at windows and doors may be required to maintain the original appearance of the house when using furring strips or underlayment board. This is particularly true when using furring strips or underlayment board more than 1/2" thick. Thicker furring and underlayment generally provide added insulation value, and are usually a good investment for the homeowner, particularly if the home is uninsulated. When estimating the labor and materials required for installing furring and underlayment, be sure to include an estimate on window and door build-out. Longer siding nails will be needed to compensate for added thickness of insulation board.

UNDERSILL FURRING

Building out below window sills is often required in order to maintain the correct slope angle if a siding panel needs to be cut less than full height. The exact thickness required will be apparent when the siding courses have progressed up the wall and reached this point (see page 26).

UNDEREAVE FURRING

For the same reason, furring is usually required to maintain the correct slope angle of the last panel where it terminates at the eave. This panel usually has to be cut to less than a full height, thus requiring backup furring and a special piece of trim for capping (see page 29).

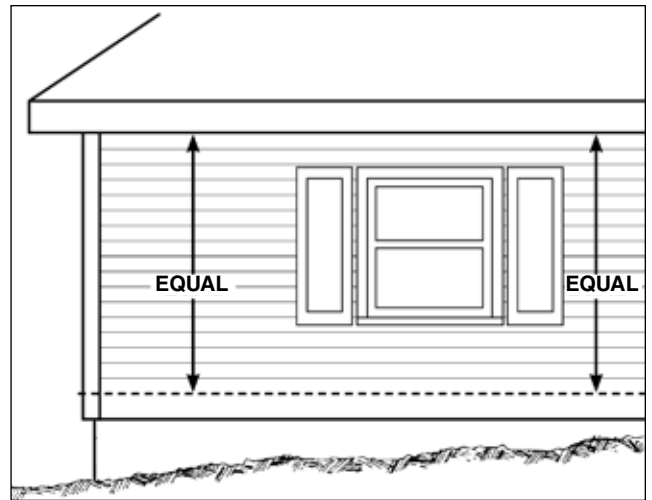


BASE CHALK LINE

STRAIGHT LINE

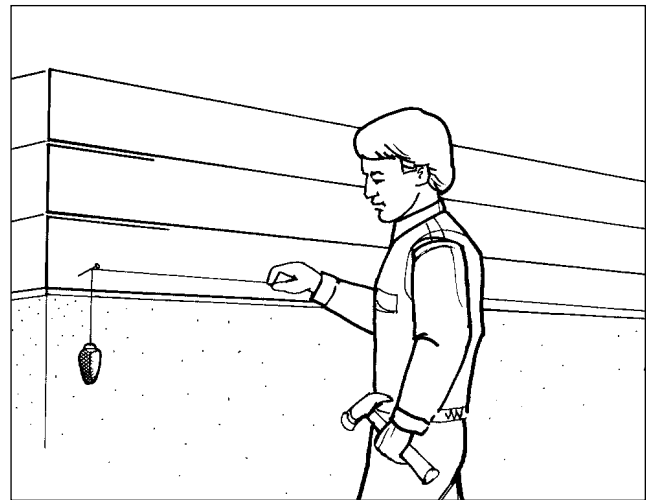
Note: The key element in a successful siding installation is establishing a straight reference line upon which to start the first course of siding.

The suggested procedure is to measure equal distances downward from the eaves and/or windows. This ensures that the siding appears parallel with the eaves, soffit, and windows, regardless of any actual settling of the house from true level.



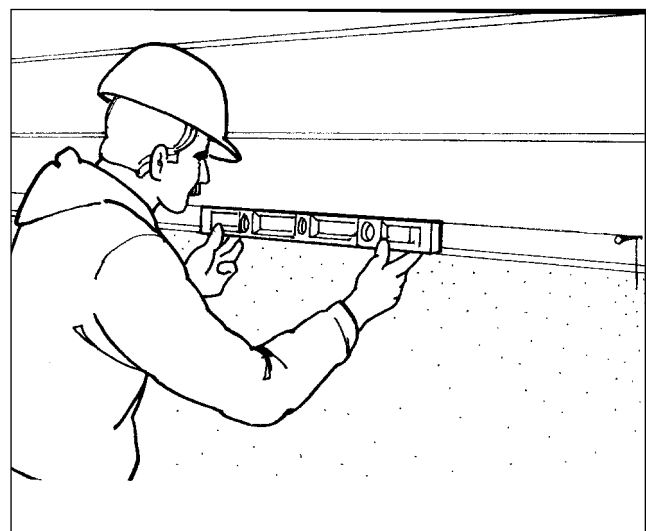
CHALK LINES

Find the lowest corner of the house. Partly drive a nail about 10" above the lowest corner, or enough to clear the height of a full siding panel. Stretch a taut chalk line from this corner to a similar nail installed at the other corner. Reset this line based upon measuring down from points of equal dimension from eaves or windows. Repeat this procedure on all sides of the house until the chalk lines meet at all corners. Before snapping chalk lines, check for straightness. Be alert to sag in the middle, particularly if line is more than 20' long. If preferred, lines may be left in place while installing the starter strip, as long as they are checked periodically for excess sag.



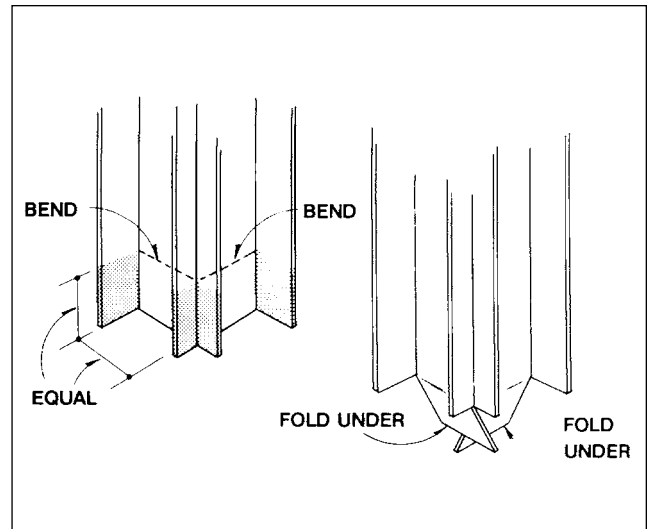
LEVEL

If the house is reasonably level, an alternative is to use a level to set the chalk line approximately 2" (or the width of the starter strip) from the lowest point of the old siding, and locate the top of the starter strip to that line. Be careful when using a standard carpenter's level because the progressive measurements may increase the possibility of error. The level should be at least 2' long, and preferably longer. Take the level reading at the centre of the chalk line for best results.



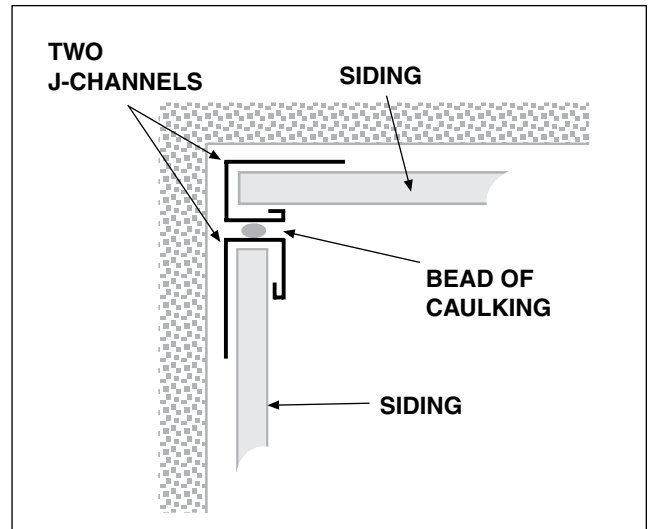
BOTTOM CAP

To help prevent unwanted air infiltration and to keep out insects, cap bottom of corner post before installation. Cut post at the end as shown in diagram. Remove unwanted material (shaded areas of diagram) with tin snips, and fold remaining tabs 90° back to complete the closure.



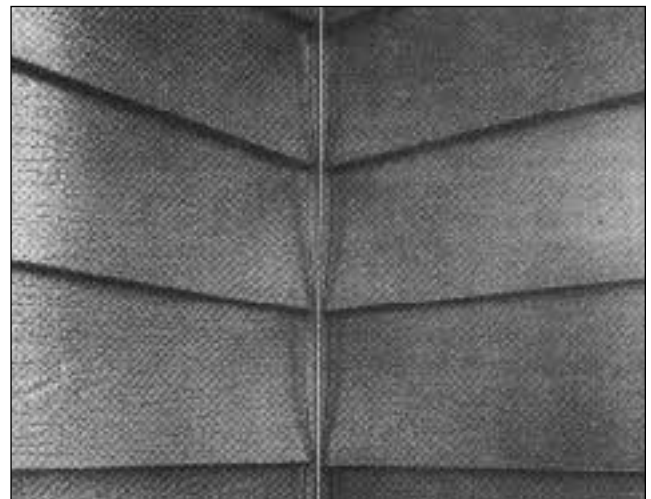
INSTALLATION

Inside corner posts are installed before the siding is hung. Two J-channels at right angles may also be used as an inside corner. A bead of caulking will assist in preventing water penetration at the junction. Deeper or narrower posts may be required, depending on type of siding (insulated or non-insulated). The post is set in the corner full length, reaching from 1/4" below bottom of starter strip up to eave or gable trim. Nail approximately every 12" on both flanges with nails. Make sure the post is set straight and true. Flanges should be nailed securing to adjoining wall, but do not overdrive nails so as to cause distortion. If a short section is required, use a hacksaw to cut. If a long section is required, the posts should be overlapped, with the upper piece outside.



EXPANSION ALLOWANCE

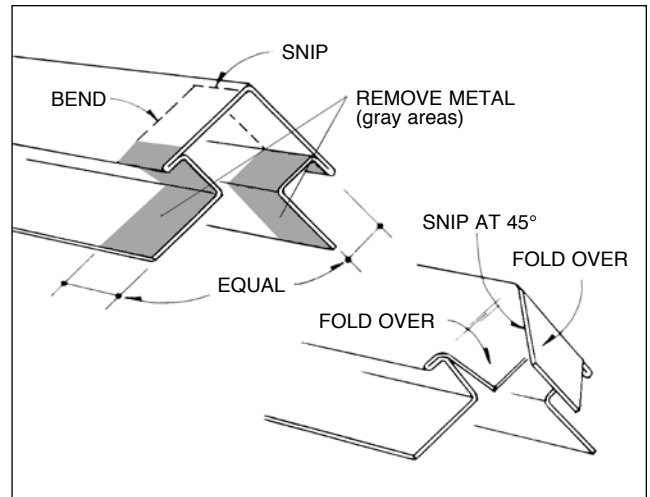
The siding is butted into the corner and nailed into place allowing approximately 1/16" space between the post and the siding for expansion purposes. For more information on expansion and contraction requirements see page 22.



OUTSIDE CORNER POSTS

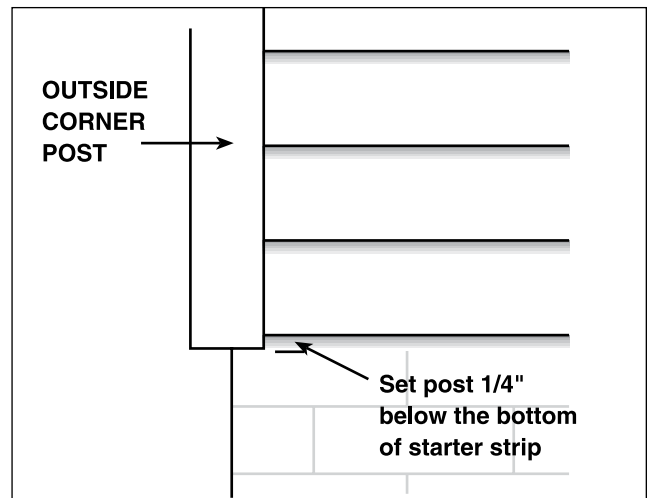
BOTTOM CAP

Using tin snips, cut away unwanted material (shaded area in drawing) and then fold remaining tabs 90° back to close cavity. If the corner post is not covered by the eave, the top of the corner post may have to be similarly closed off.



INSTALLATION

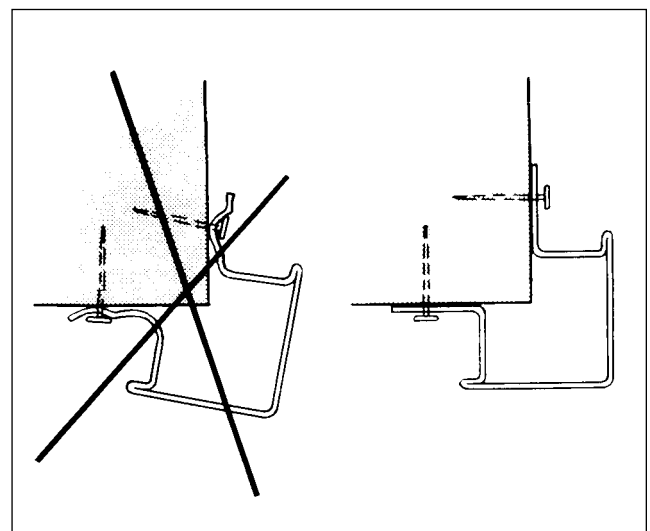
The outside corner post produces a trim appearance and will accommodate the greatest variety of siding types. Most outside corner posts are designed to be installed before the siding is hung, in a manner similar to the inside corner post. If desired, old corner posts may sometimes be removed. Set a full-length piece over the existing corner running from 1/4" below the bottom of starter strip to the underside of the eave. If a longer corner post is needed, overlap corner post sections with the upper piece outside.



NAILING

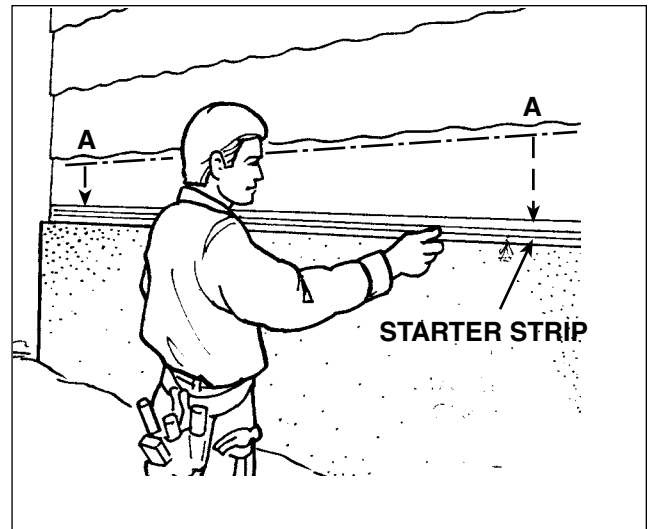
Nail every 12" with nails on both flanges. Make sure flanges are securely nailed, but avoid distortion caused by over-driving nails. Use a hacksaw to cut short sections if required. If insulated siding is being used, wider corner posts may be needed.

Note: Individual corner caps can be used on 8" horizontal lap siding instead of outside corner posts. See page 25 for details.



HORIZONTAL SIDING

Using the chalk line previously established as a guide, take equal distance measurements (see "A" in diagram) and install starter strip all the way around the bottom of the building. If insulated siding is used, the starter strip should be furred out the thickness of the backer (see page 30). It is extremely important that the starter strip be straight and meets accurately at all corners, since it will determine the line of all siding panels installed. Where hollows occur in the old wall surface, shim out behind the starter strip to prevent a wavy appearance of the finished siding application.

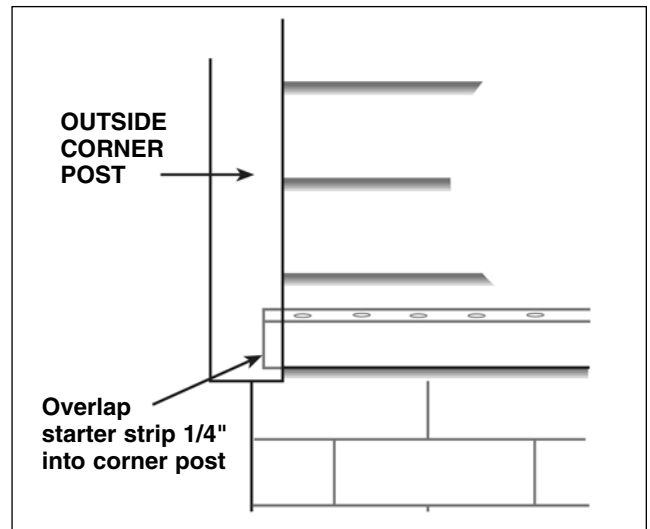


VERTICAL SIDING

A plumb line should be used when applying starter strip in a vertical position (see page 31).

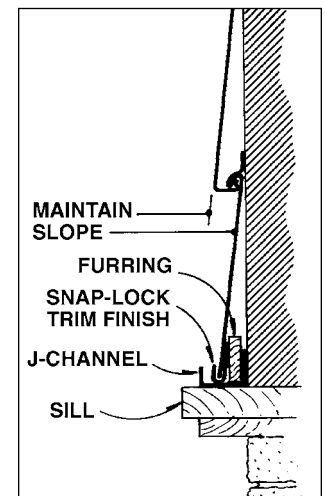
NAILING

The starter strip should overlap the corner post flanges to help reduce air infiltration. When using individual corner caps, install the starter strip up to the edge of the house corner. Use nails spaced not more than 8" apart to securely fasten the starter strip. Nail starter strip as low as possible. Be careful not to bend or distort. Do not overdrive nails. Cutting lengths of starter strip is best accomplished with tin snips. Butt sections together.



ALTERNATIVES

Starter strip may not work in all situations. Other accessory items such as J-channels or snap-lock finish trim may work better in starting siding courses over garage doors and porches, or above brick, for example. These unusual situations must be handled on an individual basis as they occur (see page 35).



WINDOW AND DOOR TRIM

COIL STOCK

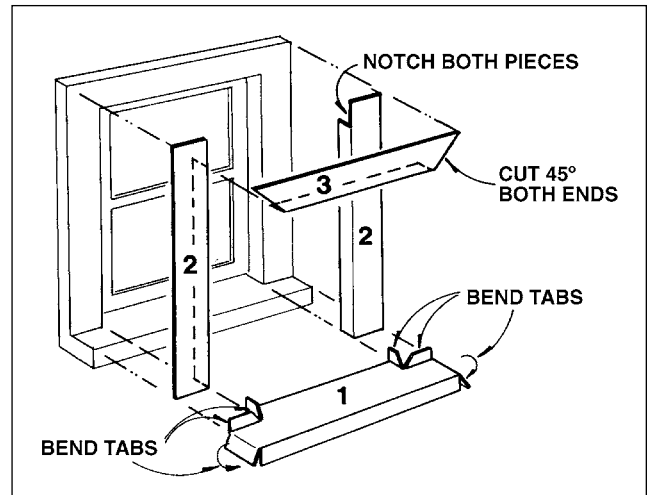
For a superior job in remodeling work, the old window sills and casings can be covered with aluminum or steel coil stock, bent to fit, on the job site. The advantage is freedom from maintenance.

Sometimes window and door casings need to be built out to retain the original appearance of the house or to improve the appearance. To do this, use appropriate lengths and thickness of good quality lumber, and nail securely to existing window casings. Remove storm windows before covering casings with coil stock sections custom formed on the job site.

Forming coil sections to fit window casings is done with a portable brake as follows. Door casings are handled similarly.



- 1. Sill Cover** – Form trim to dimensions of wood sill being covered. For flashing purposes, snip and fold upright tabs at jamb locations and sill ends as shown. Install with small head trim nails and and/or adhesive.
- 2. Casing Cover** – Form casing trim to dimensions of wood jamb being covered. Install over vertical flashing tabs of sill cover trim. Fasten in place as above.
- 3. Window Head Cover** – Form to dimension of wood head being covered. Miter corners as shown, on both sides. Install so as to lap over casing trim pieces and fasten in place.
- 4. Caulk** – Caulk where necessary to prevent water penetration behind trim pieces.



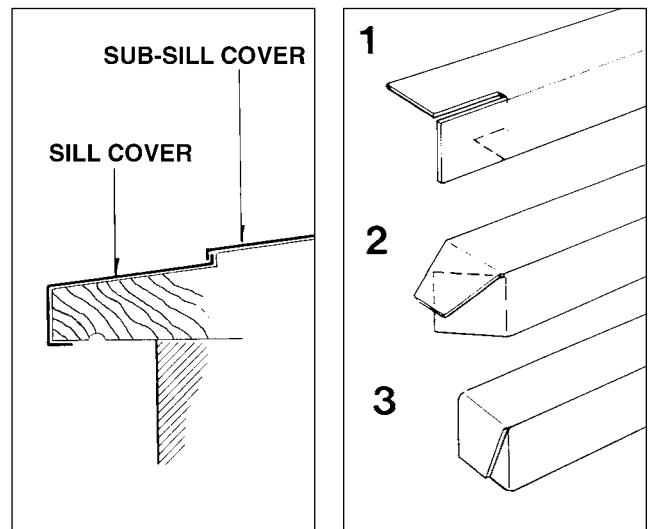
TWO-PIECE SILL

If there is a step in the wood sill, it can be covered best by bending two separate sill cover pieces as shown. Let the flanges lap over for efficient water runoff.

SILL ENDS

By using tin snips and bending flanges on the job, the old sill ends can be boxed-in to provide a neat appearance and to prevent water penetration.

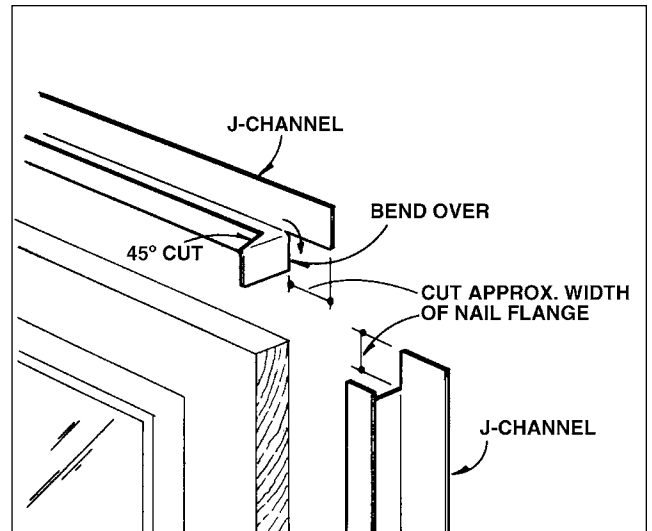
Note: Care must be exercised in placing aluminum or steel in contact with materials such as dissimilar metals, concrete, stucco, asbestos siding, pressure-treated/pre-treated lumber, masonry or corrosive non-metallic materials that might become repeatedly wet.



WINDOW AND DOOR TRIM – GABLE END TRIM

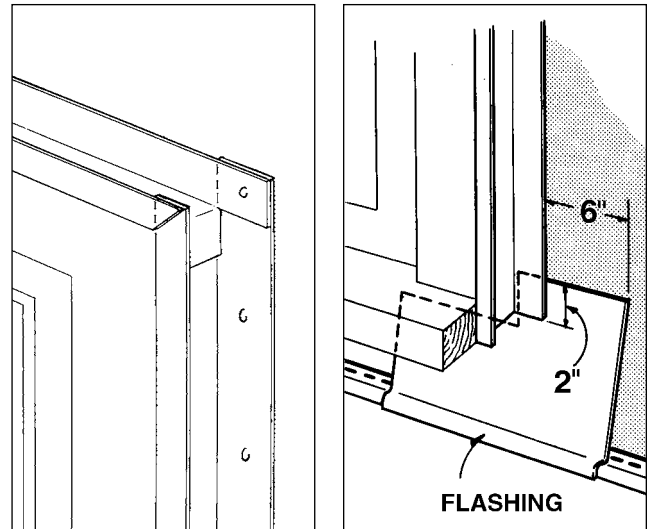
TRIM

J-channel is used around windows and doors to receive siding. Side J-channel members are cut longer than the height of the window or door and notched at the top as shown. Notch the top J-channel member at a 45° angle and bend tab down to provide flashing over side members. Caulking may be used behind J-channel members to prevent water infiltration between window and channel. Do not caulk siding inside of J-channel as a method to seal.



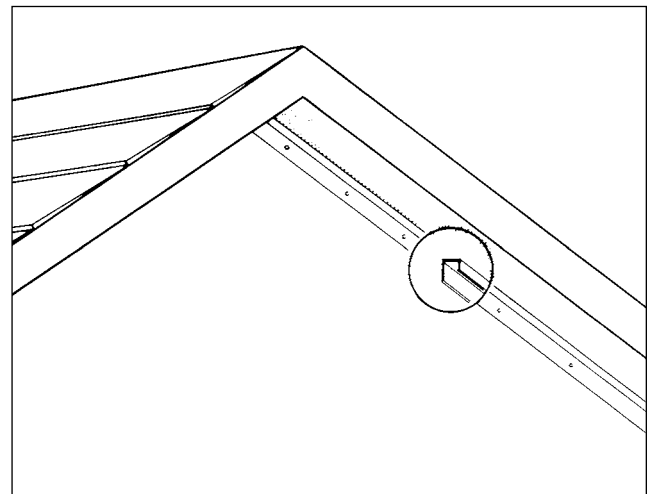
FLASHING

To further prevent water from getting behind siding, a flashing piece may be cut from coil stock and slipped under the base of the side J-channel members and positioned so as to lap over the top lock of the panel below (see illustration).



GABLE ENDS

Before applying siding, J-channel should be installed to receive siding at the gable ends. Where the left and right sections meet at the gable peak, let one of the sections butt into the peak with the other section overlapping. A miter cut is made on the face flange of this piece for better appearance. All old paint buildup should be removed before installing J-channels. Nail every 12" to 16".



CUTTING PROCEDURES

POWER SAW – ALUMINUM

For precision cutting of aluminum, a power saw is most convenient. Cutting one panel at a time is recommended. A special worktable jig that will keep the saw base clear of the work is preferred, so as to prevent damaging panels. Use a minimum 10-point aluminum-cutting blade. A bar of soap may be rubbed on the blade to produce a smoother cut on the siding panel and prolong blade life. Feed the saw through the work slowly to prevent flutter against the blade.



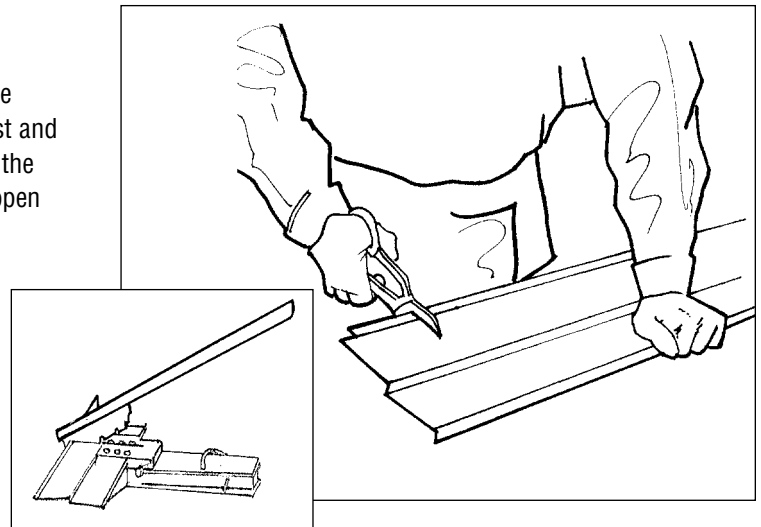
CAUTION: Safety glasses should be worn at all times while operating a power saw.

POWER SAW – STEEL

Typically, steel should not be cut using any heat-generating device such as an electric circular saw or jigsaw – to do so may destroy the protective galvanized coating and damage the siding. However, a power saw can be used on steel if using an approved Tenryu saw blade. Consult siding manufacturer.

TIN SNIPS – ALUMINUM OR STEEL

Individual panels can be cut with tin snips. Start by drawing a line across the panel using a square. Begin cutting at the top lock first and continue toward the bottom of the panel. Break the panel across the butt edge and snip through bottom lock. Use a screwdriver to reopen lock which may become flattened by tin snips (see drawing). Aviation shears are sometimes used to cut the top and bottom locks and a utility knife is used to score and break the face of the panel. For straight cuts, the best choice is duckbill snips.



SIDING CUTTER – ALUMINUM OR STEEL

A guillotine-type cutting device designed to cut at vertical right angles to siding can be used. Interchangeable blades for cutting 4", 5" and 8" profiles are available.

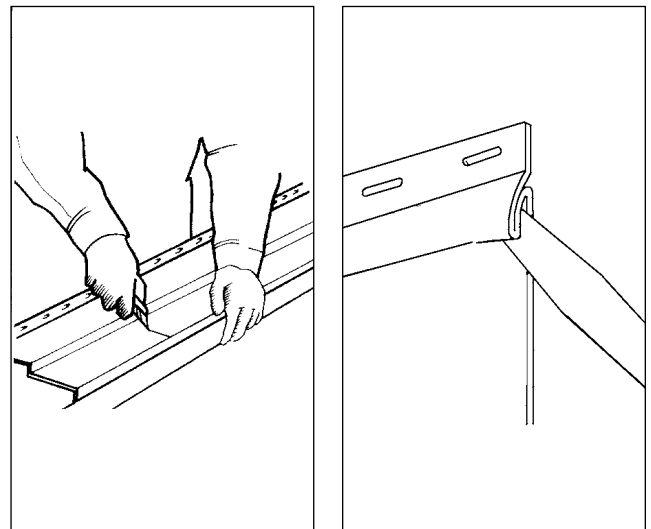
NIBBLER – ALUMINUM OR STEEL

An electric punch action cutter is helpful for making straight, curved or circular cuts.

SCORE AND SNAP METHOD – ALUMINUM OR STEEL

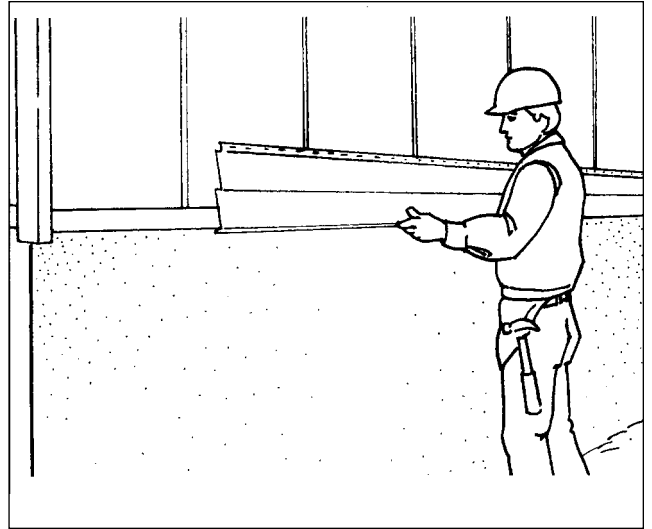
The utility knife is useful for cuts lengthwise as well as cuts across a single panel. A heavy score is made on the face panel and the piece is bent back and forth until it snaps cleanly along the score line. On window cutouts the combination of utility knife and tin snips is most efficient (see page 26).

Accessories such as snap-lock finish trim, J-channel, and starter strip can best be cut using duckbill tin snips. Use a hacksaw to cut accessories such as corner posts.

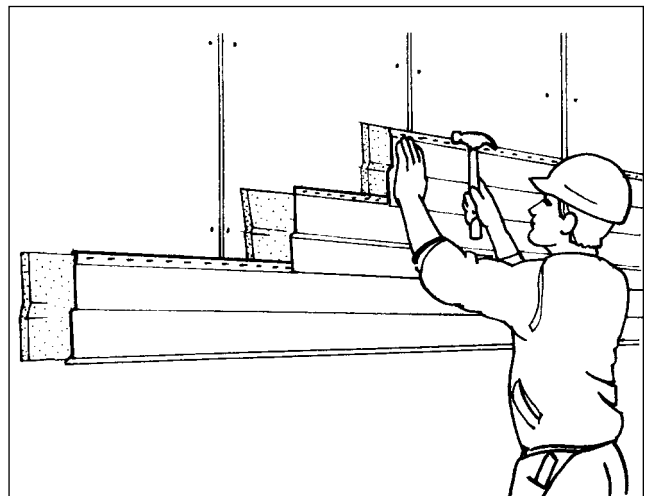
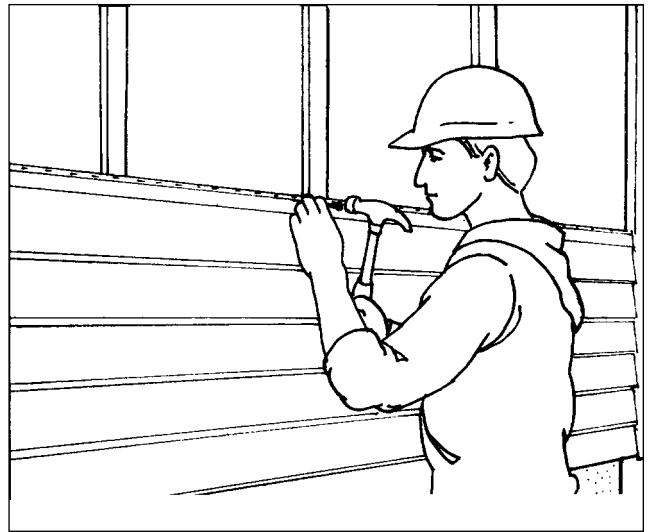


FIRST COURSE

Extra care must be taken on the first course of siding applied because this course establishes the base for all other courses. Apply panel by hooking the bottom lock of the panel into interlock bead of starter strip. Make sure lock is engaged. Do not force or jam, which might cause distortion of the panel and result in an undesirable shadow line. Double check for continuous locking along panel before proceeding further. Particularly check for alignment at corners. The first course should be installed a minimum of 6" from the ground.



At corner posts, slide panel into recess first, then exert upward pressure to lock the panel into place along its entire length. Allow clearance for expansion as necessary (see page 22). If individual corner caps are being used, keep the panels back from corner edges 3/4" for non-insulated siding (1-1/4" for insulated) to allow for later fitting of the individual corners. Panels must be hung with nails through the centre of the factory-slotted holes every 16" to 24" along their entire lengths. Nail must be driven into sound lumber, such as: 3/4" penetration into house framing with plain shank nails or through 1/2" plywood with screw or ring shank nails.



INSTALLING THE SIDING

LAPPING

On the sides of the building, start at the rear corner and work toward the front, so that the lapping will be away from the front and less noticeable. On the front of the building, start at the corners and work toward the entrance door for the same reason. When lapping, factory-cut ends of panels should be on top of field-cut ends for best appearance.

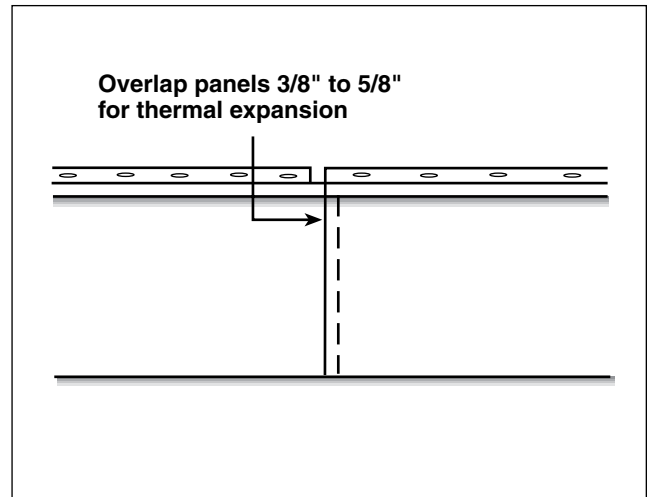
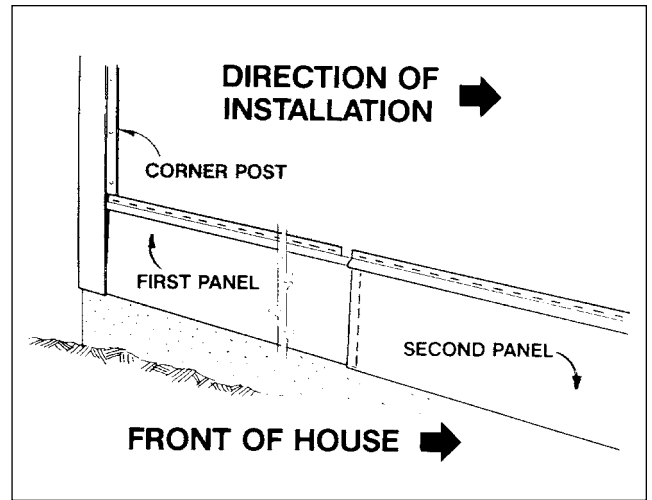
OVERLAPPING

Panels should overlap each other by approximately 1/2". A maximum of 5/8" and a minimum of 3/8" is a good rule of thumb. Thermal expansion requirements need to be considered in panel overlaps (see below).

- Avoid short panel lengths of less than 24".
- Make sure factory-cut ends are always on top of field-cut ends.
- The job should start at the rear of the house and work toward the front.

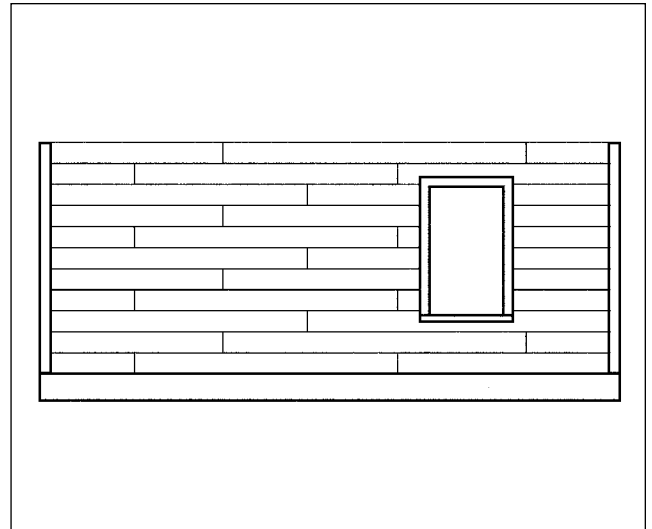
EXPANSION AND CONTRACTION

Metal siding will expand when heated and contract when cooled. The expansion can amount to approximately 1/8" in a 10' length for every 100° of temperature change. Allowance for this expansion or contraction should be made when installing siding. If siding is installed in hot weather, the product is already warm and at least partly "expanded," therefore less room will be required to allow for temperature expansion. With the product stored in a hot sun area, the applicator could apply the siding panel against a corner post with minimum clearance (1/16"). In cold weather, assuming the product was stored in the outside cold, the applicator should allow approximately 1/8" space between areas of possible restriction, such as at a corner post. Using this expansion and contraction "common sense," the applicator should be able to install the products properly for good appearance, and thus avoid unnecessary waves or buckles which could occur with temperature change.



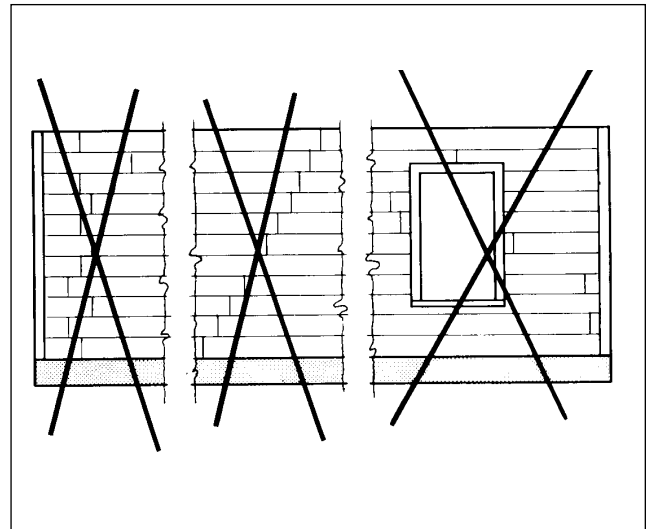
PROPER STAGGERING OF PANELS

For visual appearance, the staggering of joints should be well planned. Many applicators plan their joining so that any two joints in line vertically will be separated by at least two courses (see illustration). At a bare minimum, separate panel overlaps on the next course by at least 2'. Joints should be avoided on panels directly above and below windows. Shorter pieces which develop as work proceeds can be used for smaller areas around windows and doors.



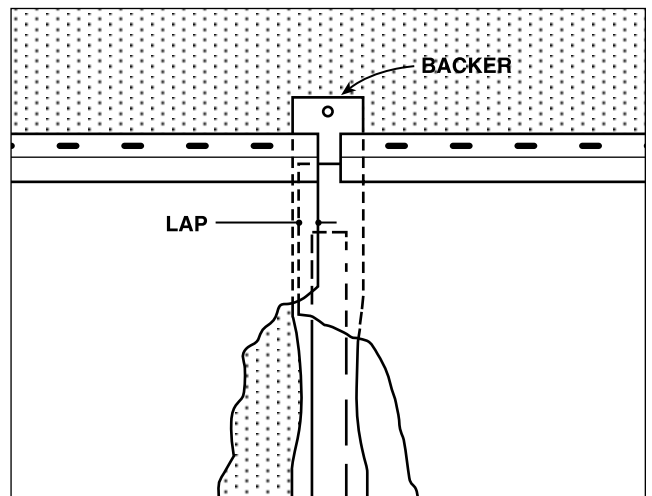
IMPROPER STAGGERING OF PANELS

A poor arrangement of panel overlaps detracts from the appearance of the installation (see illustration).



BACKER TABS

Backer tabs may be used with 8" horizontal non-insulated siding. They ensure rigidity, evenness of installation, and tight end-laps. They are used at all panel overlaps and behind panels entering corners. Slip the backer tab behind the panel with the flat side facing out, after the panel has been locked in place. The backer tab should be directly behind and even with the edge of the first panel of the overlap. Nail the backer tab to keep it in place.



NAILING AND STAPLING

HANGING THE SIDING

When nailing, drive the nail through the centre of the factory-slotted hole to within $\frac{1}{32}$ " of the nailing flange, snug but not tight. The slots are elongated to permit the siding to contract and expand freely. Siding nailed too tightly may not be able to move with temperature changes and may also produce an unattractive wavy appearance. Expansion requirements vary with the seasons. An application installed in the hot summer requires less allowance. An application installed in winter may require as much as $\frac{1}{8}$ " expansion allowance per panel (see page 22 – Expansion).

NAILS

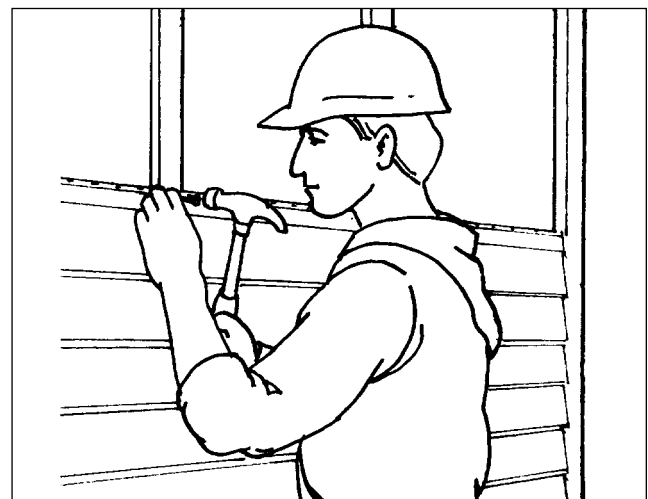
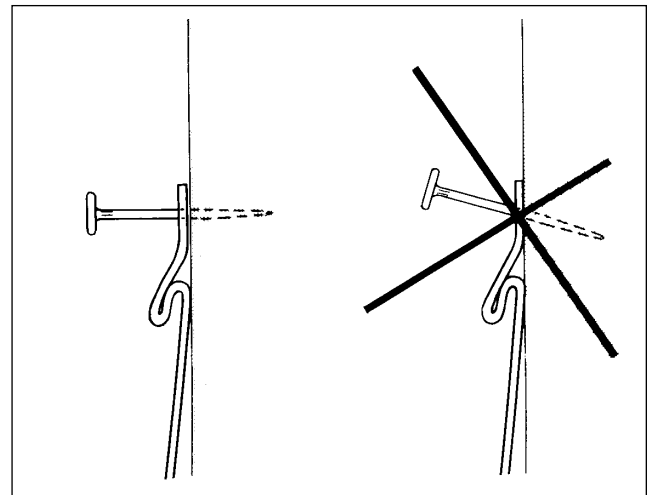
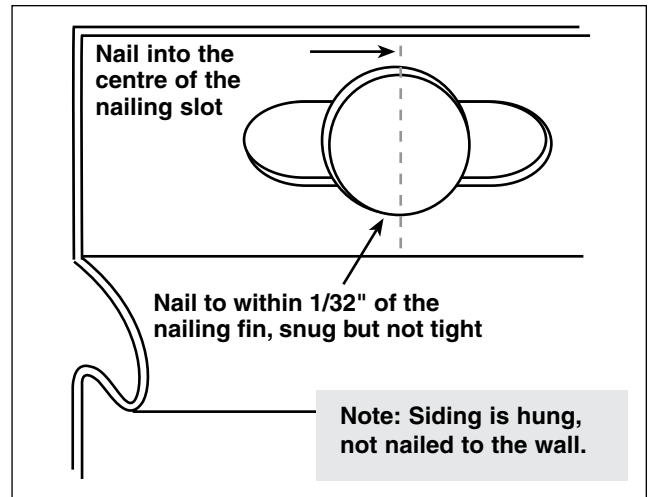
When nailing siding and accessories, always use the correct size nails. Nails should be driven straight and level, never slanted up or down so as to possibly cause distortion of the panel. Use 2" nails (or longer) for insulated siding and 1- $\frac{1}{2}$ " nails (or longer) for non-insulated siding, as well as most trim accessories. A minimum $\frac{3}{4}$ " penetration into studs with plain shank nails, or penetration through $\frac{1}{2}$ " plywood with screw shank nails is recommended. Where visible nails are required, use trim nails that match the siding or accessory.

NAILING CENTRES

Siding nails should be spaced on approximately 16" centres (maximum of 24"), and should not be driven closer than 6" from panel overlaps. Where low spots are encountered in a wall, drive the nails on both sides of the low spot and allow the panel to float over the low spot to maintain a straight shadow line. On new construction, nail into the studs on 16" centres. Do not skip studs. In remodeling, when siding is installed over old wood, be sure that rotted or broken boards are not used as the nailing base.

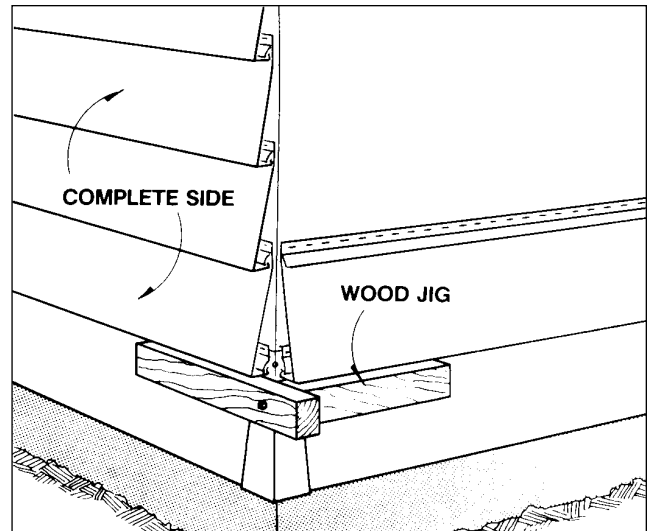
PNEUMATIC STAPLERS/NAILERS

Power fasteners are an accepted alternative method of installing siding. The same care must be taken as when you nail by hand. Drive the fastener through the centre of the factory-slotted hole to within $\frac{1}{32}$ " of the nailing flange, snug but not tight. The fasteners must be corrosive-resistant, such as cadmium-coated, galvanized steel or aluminum. The fasteners must be long enough to penetrate into a solid substrate at least $\frac{3}{4}$ ". The staple crown will be a minimum width of $\frac{3}{8}$ ". Check the gun, air pressure and your technique on the first course and make the necessary adjustments. Always follow the pneumatic power fastener manufacturers' instructions for safe and proper use of their guns.



CORNER CAPS

Individual corner caps may be used for 8" horizontal lap siding instead of outside corner posts. The siding courses on adjoining walls must meet evenly at the corners. To allow room for the cap, install siding with 3/4" clearance from the corner (1/4" clearance for insulated siding).



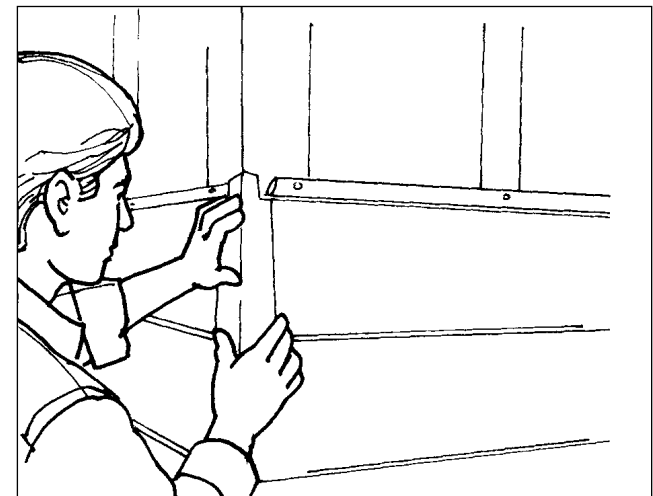
INSTALLATION

Complete one wall first. On the adjacent wall, install one course of siding, line the course up, and install the corner cap. Each corner cap must be fitted and installed before the next course of siding is installed. A jig can be constructed to facilitate the alignment, or a special tool may be purchased for this purpose.

Install by slipping bottom flanges of corner cap up under the butt of each siding panel. Slight steady pressure should be used to press the cap in place. If necessary, insert a putty knife between the panel locks, prying slightly outward to allow room for the flanges to slip in. Gentle tapping with a rubber mallet and wood block can also be helpful. When cap is in position, secure with 2" or 2-1/2" nails, or long enough for 3/4" penetration into solid wood or sheathing. Nail through at least one of the pre-punched nail holes in the top of the corner cap.



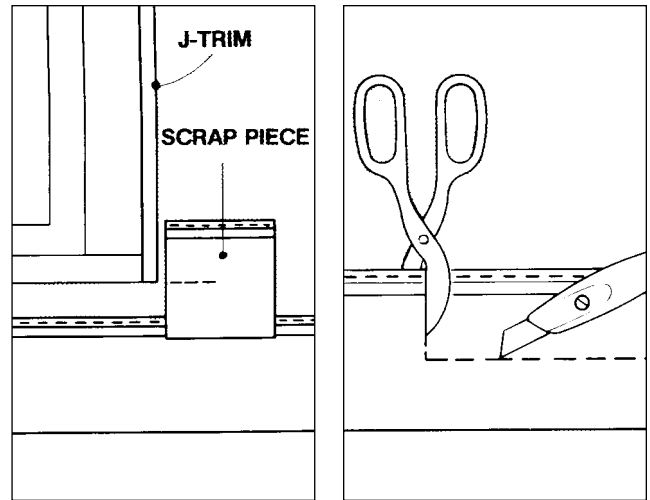
Note: Before securing corner, make sure butts of corner cap and siding panels are flush.



PANELS AT WINDOWS AND DOORS

MEASURING

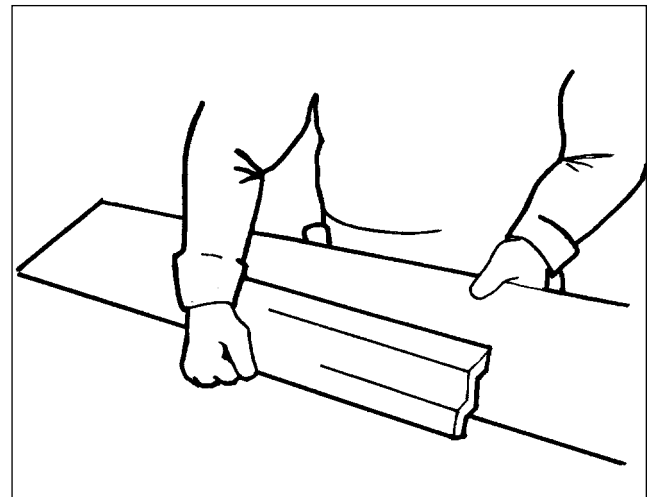
As siding courses reach a window, a panel will probably need to be cut narrower to fit the space under the window opening. Plan this course of siding so that the panel will extend on both sides of the opening. Hold the panel in place to mark for the vertical cuts. Use a small piece of scrap siding as a template, placing it next to the window and locking it into the panel below. Make a mark on this piece 1/4" below the sill height to allow clearance for snap-lock finish trim. Do the same on the other side of the window, since windows are not always absolutely level.



CUTTING

The vertical cuts are made with duckbills, tin snips, or power saw (aluminum only)* from top edge of panel. The lengthwise (horizontal) cut is scored with the utility knife one time, and bent back and forth until the unwanted piece breaks out.

***A power saw can be used on steel if using an approved Tenryu saw blade. Consult siding manufacturer.**

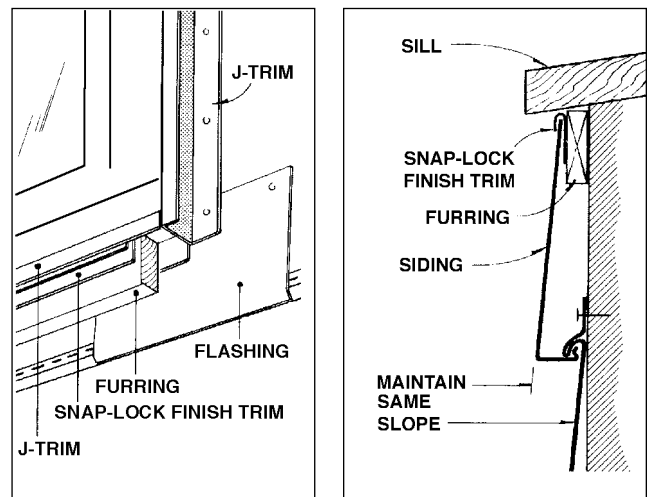


TRIMMING AND FURRING

The raw cut edge of the panel should be trimmed with a snap-lock finish trim the exact width of the sill. First determine if furring is required behind the cut edge to maintain slope angle with adjacent panels. Nail the correct thickness of furring under the sill and install snap-lock finish trim over it, nailed close up under the sill for a tight fit.

INSTALL

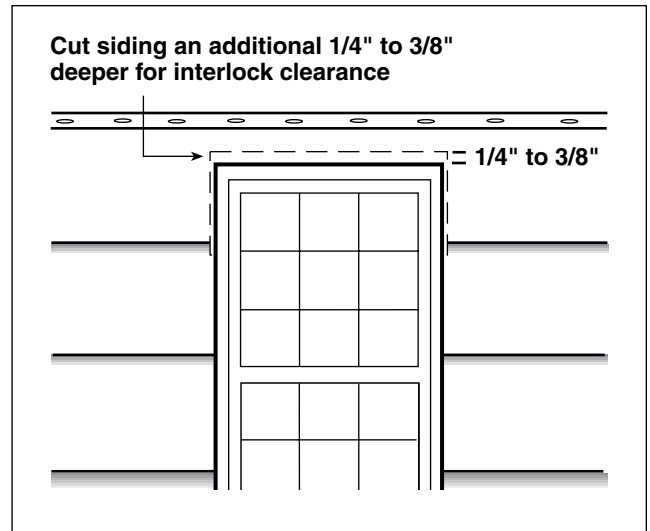
With a snap-lock punching tool, punch slots every 12" to 16" along top 1/4" of panel. Slide the panel upward so as to engage the snap-lock finish trim, the J-channels on window sides, and the lock of the panel below.



PANELS AT WINDOWS AND DOORS

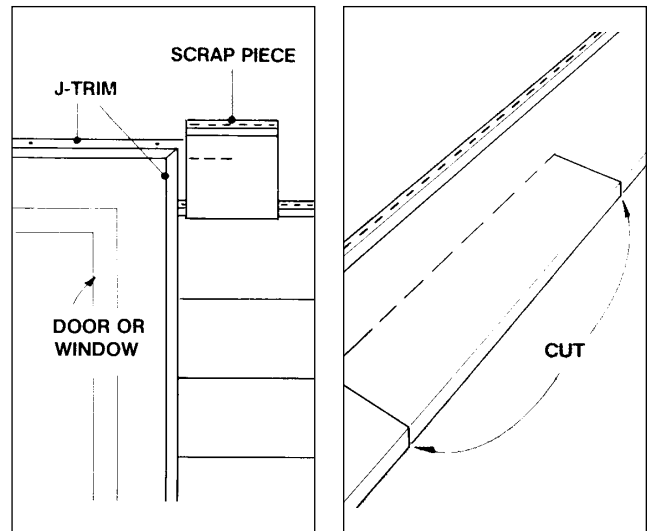
MEASURING AND CUTTING

Fitting panels over door and window openings is almost the same as making undersill cutouts, except that clearances for fitting the panel are different. The cut panel on top of the opening needs more room to move down to engage the interlock of the siding panel below, on both sides of the window. Mark a scrap piece template without allowing clearance, and then make cuts $1/4"$ to $3/8"$ deeper than the mark. This will provide the necessary interlock clearance.



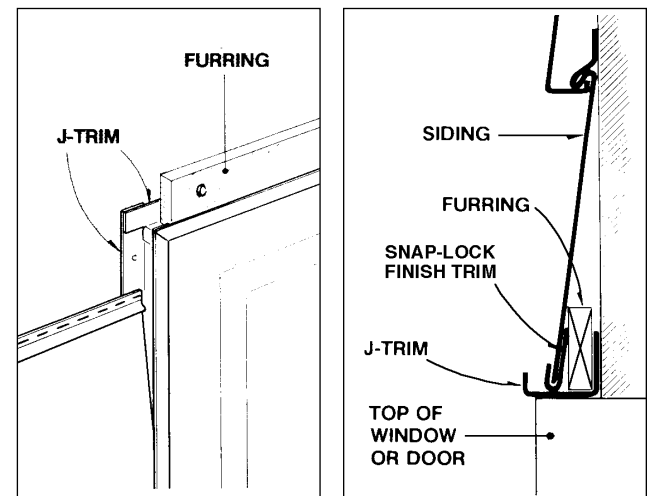
FURRING

Check the need for furring over the top of window or door in order to maintain slope angle, and install if required.



TRIM

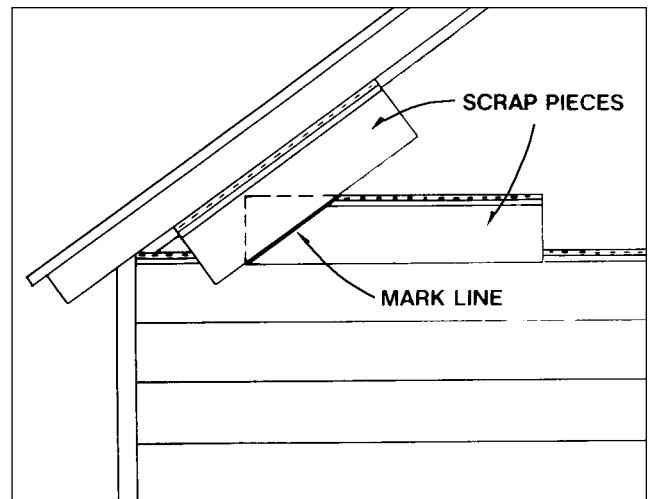
Cut a piece of snap-lock finish trim the same width as raw edge of cut panel, and slip over this cut edge in the panel before installing. Drop panel into position engaging interlocks on siding panels below. The snap-lock finish trim can now be pushed downward to close any gap noticeable at juncture with J-channel.



FITTING AT GABLE ENDS

MEASURING AND CUTTING

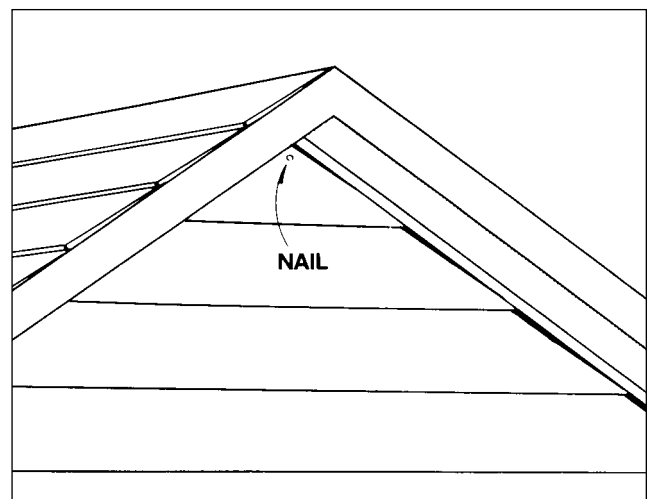
When installing siding on gables, diagonal cuts will have to be made on some of the panels. To make a pattern for cutting panels to fit the gable slope, use two short pieces of siding as templates. Interlock one of these pieces into the panel below. Hold the second piece against the J-channel trim on the gable slope. Along the edge of this second piece, scribe a line diagonally across the interlocked panel and cut along this line with tin snips or power saw. This cut panel is a pattern which can be used to transfer cutting marks to each successive course along the gable slope. This pattern should be checked on each course for accuracy, as the slope is not always straight. All roof slopes can be handled in the same manner as gable end slopes.



INSTALLATION

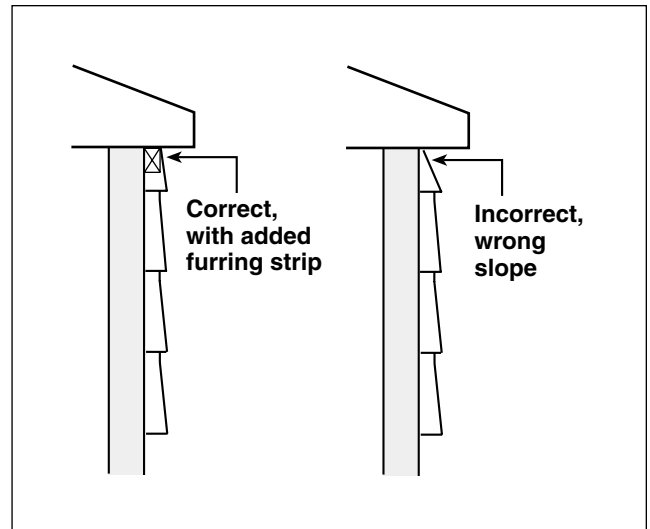
Slip the angled end of panel into J-trim previously installed along the gable edge. Lock the butt into interlock of the panel below. Remember to allow for expansion or contraction where required. If necessary, face nail with 1-1/4" (or longer) painted head nail in the apex of the last panel at the gable peak. Touch-up enamel in matching siding colours can also be used for exposed nail heads.

Do not cover existing louvers. Attic ventilation is necessary in summer to reduce temperatures, and in winter to prevent the accumulation of moisture.



FURRING

The last panel course under the eaves will almost always have to be cut lengthwise to fit in the remaining space. Usually furring will be needed under this last panel to maintain correct slope angle. Determine proper furring thickness and install. Nail the snap-lock finish trim to the furring strip, flush with the eave line. Trim should be cut long enough to go the length of the wall.

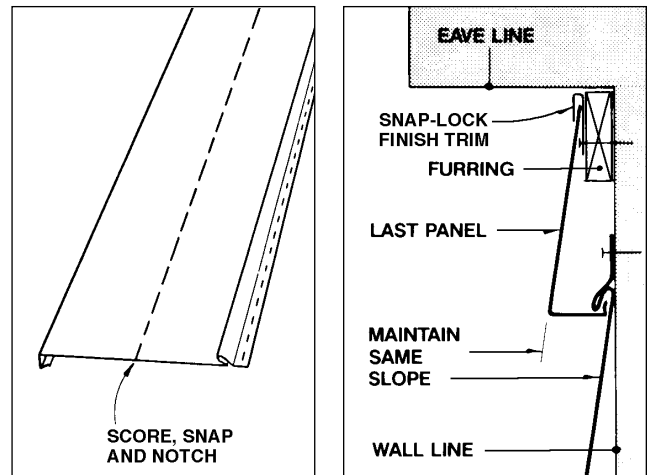


CUTTING

To determine width of cut required, measure from bottom of top lock to eaves, subtract 1/4" and mark panel for cutting. Take measurements at several points along the eaves to ensure accuracy. Score the face of the panel with the utility knife and bend until it snaps. With punch tool, punch notches every 12" to 16" along top of panel, 1/8" to 1/4" from edge of panel.

INSTALLING

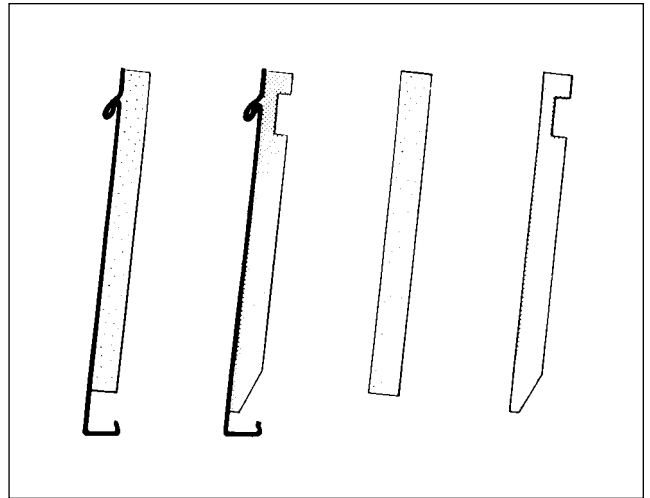
Slide the panel into the snap-lock finish trim, making sure to engage the interlock of the panel below. It may be necessary to gently tap the siding panel into place using a hammer and a 2' to 3' long piece of lumber. With this technique, face nails will not be required.



INSULATED SIDING

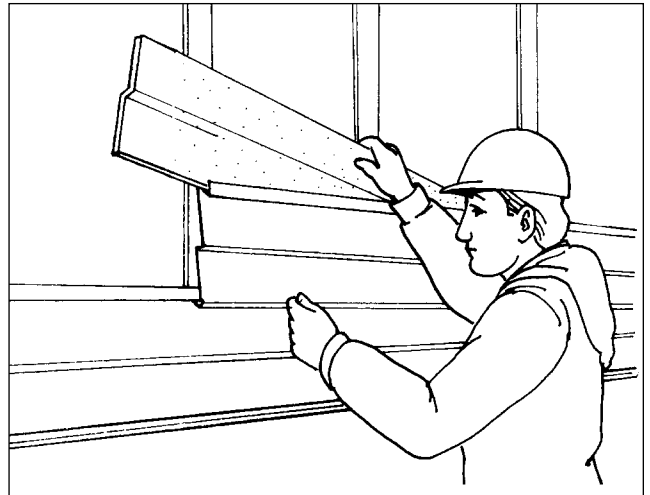
INSULATED SIDING

For enhanced energy savings, more attention is being given to insulated siding. Drop-in backer panels made with polystyrene foam insulation can be installed on the job.



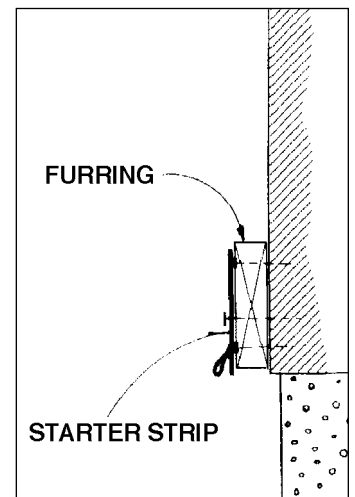
DROP-IN BACKER BOARD

Drop-in backer board in convenient lengths is installed on the job site. The pieces are progressively dropped in behind the siding panels after they are engaged in the interlocks. The panels are then nailed to the wall. Use longer nails when installing. Do not force drop-in backer board into butt. This will cause the panel to oil can.



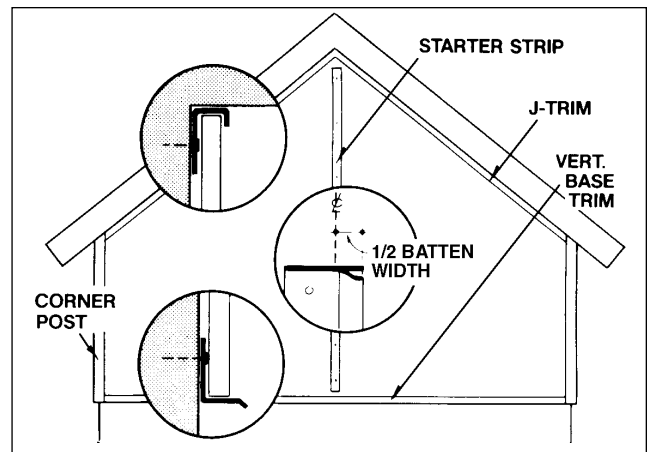
FURRING

The starter strip should be furred out the thickness of the backer board to maintain the same slope throughout the subsequent siding courses.



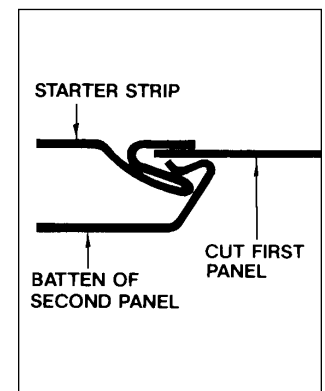
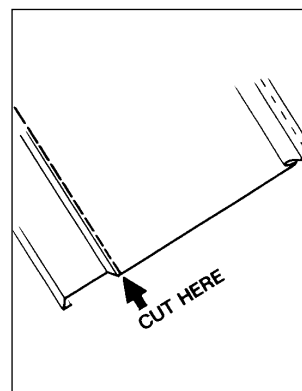
APPLICATION

Vertical siding is used both for an entire installation and as a contrast to horizontal siding, especially on gable ends. Most procedures outlined for horizontal siding are generally the same for vertical siding except that the starter strip is applied vertically and panels interlock in a vertical position.



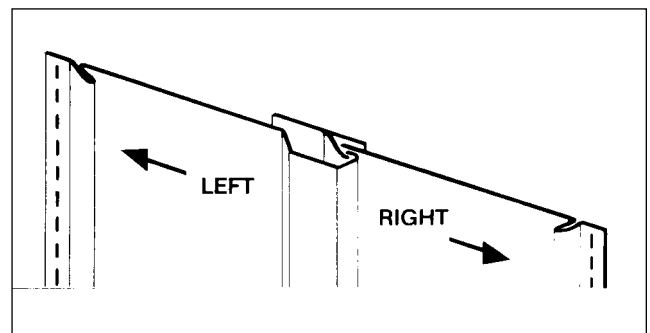
ACCESSORIES AND STARTER STRIP

Snap a chalk line, which is parallel to the eaves or the window heads, along the base of the house as a guide for applying vertical base flashing trim (or J-channel). Apply J-channels under the eaves. Add outside corner posts as required. Windows and doors are trimmed with J-channel on the sides and under sills, with vertical base flashing (or J-channel) being used at the window heads. To locate the starter strip, drop a plumb line from the gable peak off-centre by one half the width of a vertical panel batten, and mark a chalk line. The starter strip bottom edge is nailed to this line (see drawing). The raised batten will now be correctly centred for best appearance.



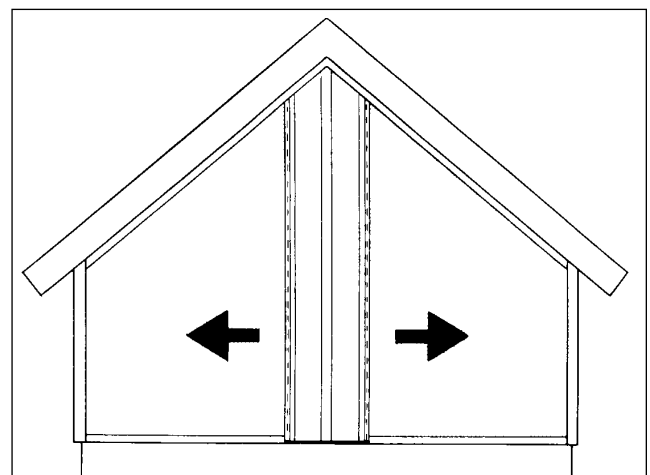
FIRST PANEL

Measure and cut the first panel to correct length. Cut the batten edge off this panel. Slip the cut edge under the starter strip and nail panel through slotted nailing flange. Cut the other panel to correct length, and engage batten flange in starter strip and nail panel (see drawing).



REMAINING PANELS

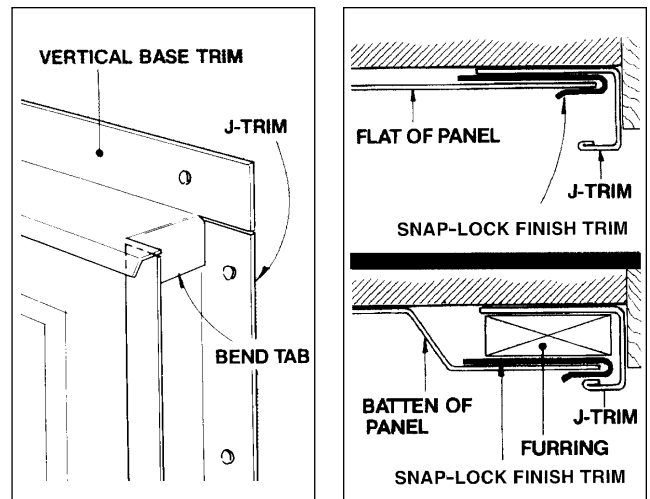
It will now be possible to continue the installation working in both left and right directions from these two initial centre panels (see drawing), which makes for an even-spaced batten appearance when there is a gable. An alternative way to install the starter strip is to nail it plumb at the corner and install panels working from one direction.



VERTICAL SIDING

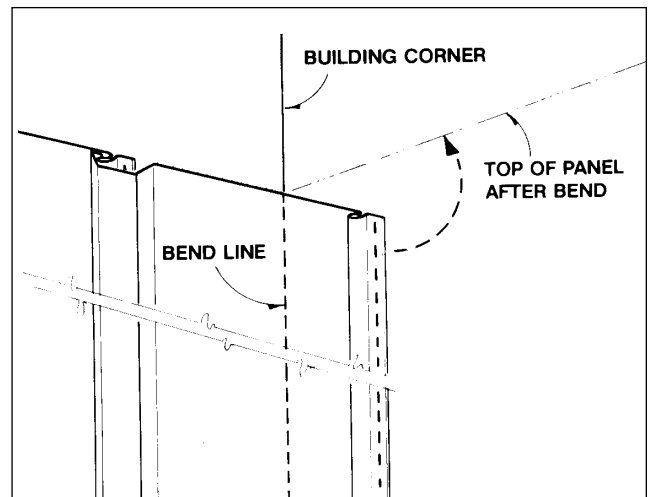
DOORS AND WINDOWS

Panel fitting around door and window trim is similar to that shown for horizontal siding. The cut edge of the vertical panel is capped with snap-lock finish trim and inserted into a J-channel. Furring out may be required, depending on where the cut is made (for instance, if the cut is made in the batten portion of the panel). The procedure at inside and outside corners would also be the same as for horizontal siding. The snap-lock finish trim must be nailed before installing the vertical panel. It can be held in place by punching a notch every 12" to 16", with a snap-lock punching tool, 1/4" from edge of panel.



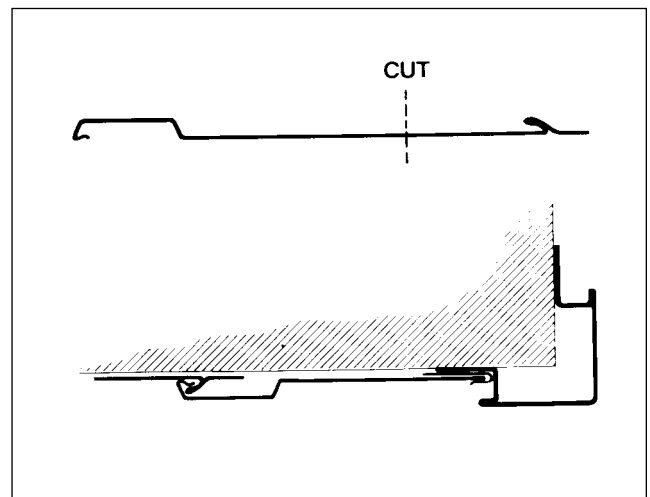
PANEL BENT CORNERS

At outside corners, a panel can be bent around the corner rather than using an outside corner post. Cut the panel to correct length and lock into previous panel. Mark where the panel should be bent around the corner and remove panel. Use a portable brake and bend to form right angle. Install panel and nail in place. Continue with next vertical panel as usual, on adjoining wall.



NARROW CUT PANELS

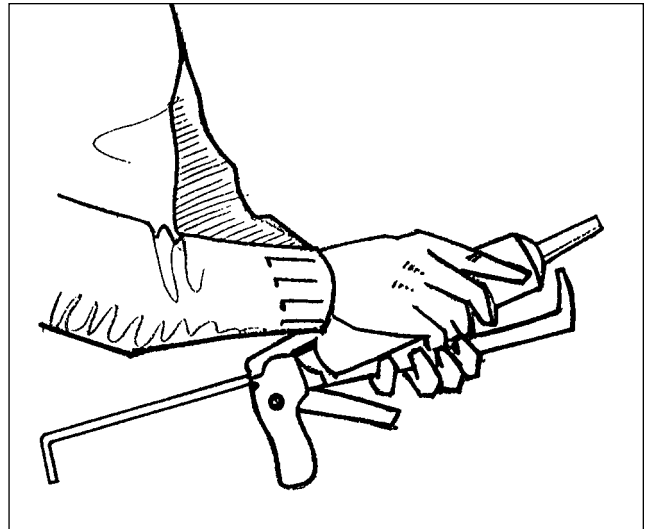
When panels are cut narrower to fit into corners, at the end of a run for example, the raw edge can be trimmed using snap-lock finish trim and notching it every 12" to 16" with a snap-lock punching tool, 1/4" from edge of panel.



CAULKING

In general, caulking is done around doors, windows and gables where metal meets wood and metal meets metal, except where accessories are used to make caulking unnecessary. (Do not caulk siding inside of J-channel as a method to seal.) Caulking is also needed where metal meets brick or stone around chimneys and walls. Try not to use exposed caulking on top of siding panels. Surface caulking required at panel cutouts around faucets, meter boxes, etc., must be done neatly.

It is important to get a deep caulking bead (1/4" minimum), not just a wide bead. Cut the plastic tip of the caulking cartridge square to get this deeper bead. Move the gun evenly, and apply steady, even pressure on the trigger. Preferred caulking is the butyl or silicone types, as they have greater flexibility. Most producers supply caulking in colours to match siding and accessories. Do not depend on caulking to fill large gaps (more than 1/8" wide), as expansion/contraction of the siding may cause cracking of the caulking.



CLEAN UP

Keep hands as clean as possible during application, or use clean work gloves. To clean smudges, use a soft cloth or damp sponge dipped in mild detergent solution or in soap and water. Avoid rubbing too hard which might create a glossy area on the finish surface. Never use harsh abrasive cleaners. For asphalt or grease stains, mineral spirits can be used with care. Thoroughly clean off any residue.

JOB SITE

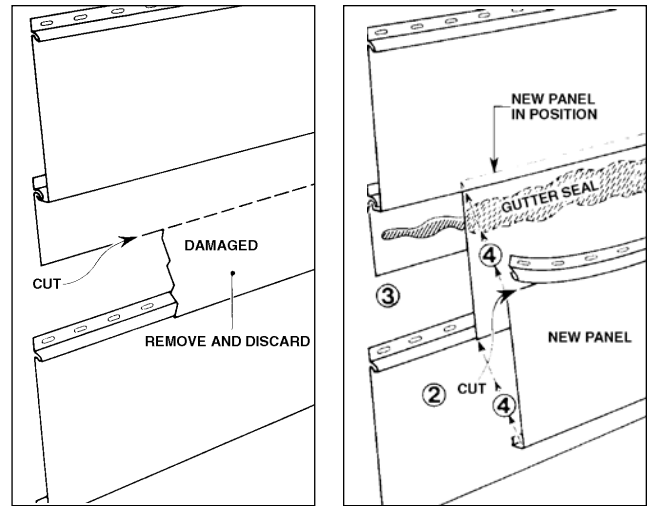
Reinstall all fixtures, brackets, downspouts, etc., that were removed. Many applicators paint accessories that weren't replaced (such as kitchen fan outlets or service cable) to match the new siding colour. Most manufacturers have available touch-up paint, or matching paint formulas which can be purchased at the local paint store.

All scrap pieces, cartons, nails, etc., should be removed and the job site left neat and clean each day.

REPAIRS AND MISCELLANEOUS

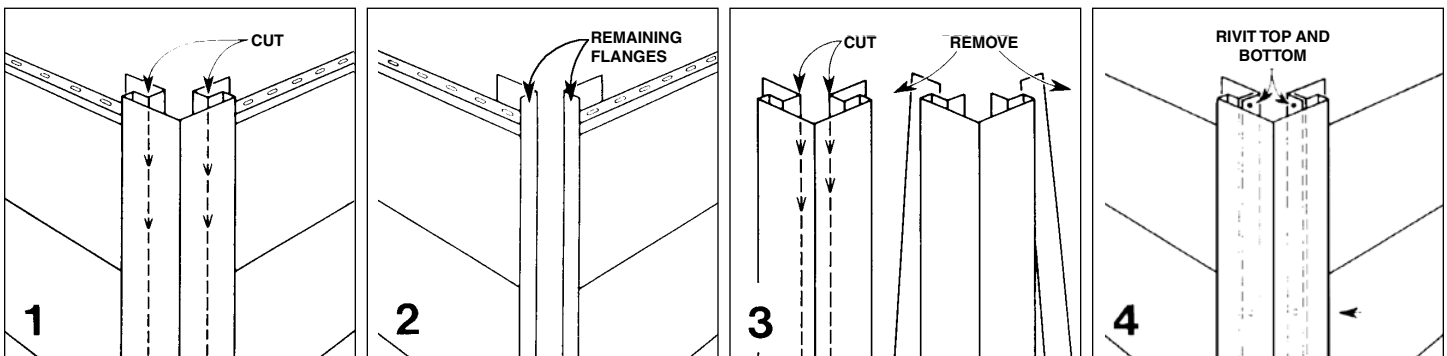
REPLACEMENT OF DAMAGED PANEL

1. Cut damaged panel just above centre with utility knife for entire length of panel. Discard the bottom cut section of damaged panel. Do not nail remaining part of damaged panel, as this will not allow for expansion/contraction.
2. Remove top lock of a new panel by scoring with utility knife. Bend and snap off. Remove burrs on scored edge. Try small piece of siding panel to fit under old lock. If too tight, carefully open with wide putty knife.
3. Apply heavy bead of gutterseal full length of damaged panel at point shown in drawing.
4. Install new panel carefully over gutterseal. Engage top and bottom of panel into respective locks. Be sure gutterseal makes contact with new panel. Apply pressure with palm of hand. Do not nail panel. Use this procedure on all siding.



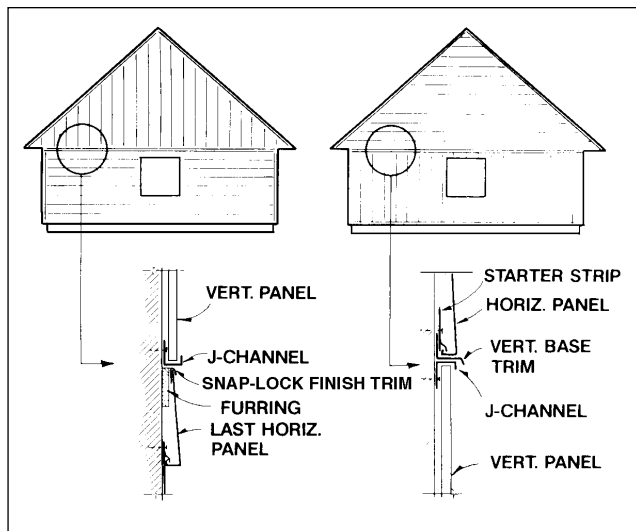
REPLACEMENT OF DAMAGED CORNER POST

1. Cut the damaged corner post by scoring with utility knife at the two points marked.
2. Use a pair of pliers, or other suitable tool, to remove outside face of post, by bending back and forth.
3. Remove the nailing flanges of the new corner post by scoring and bending.
4. Hook new corner post on one side, overlapping the flanges, then spread the new post enough to overlap the flanges on the other side of the post. After the new post is in place, use pop rivets on both sides, under the butt edge of the siding, to hold new post in place.



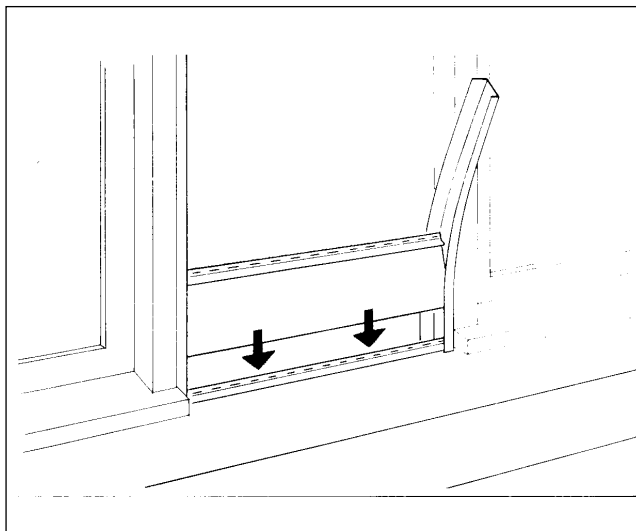
TRANSITIONS

1. Vertical over Horizontal – Cut nailing flange and lock off last horizontal panel course and fur out if necessary. Use snap-lock finish trim to receive this cut piece. Apply drip-edge molding or J-channel over top of horizontal panel to receive vertical siding. Punch weep holes in J-channel for water drainage.
2. Horizontal over Vertical – Use J-channel to cap off vertical. Then use vertical base trim and starter strip to start horizontal panels.



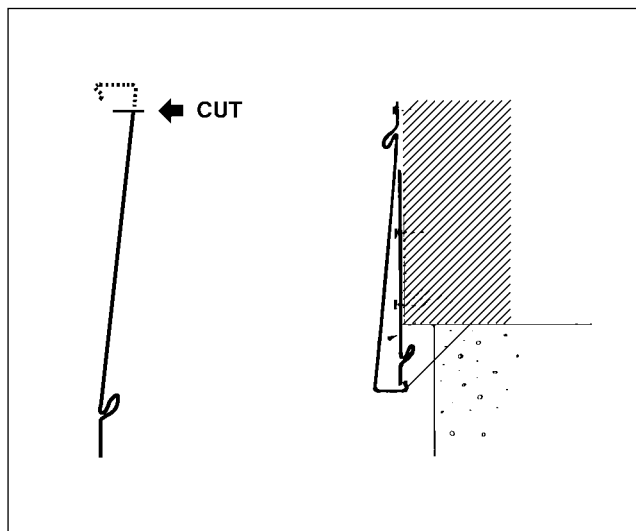
SHORT PANELS BETWEEN OPENINGS

For runs between windows, nail J-channels on both sides of the space. Bow the siding to slip into channels. If the space is too narrow to allow the bowing of panels one J-channel can be left unattached initially. This J-channel can be nailed in position as successive panels are nailed in place. A nail set may be used to seat nails within the J-channel to prevent damage.



DIFFICULT CONDITION STARTER STRIP APPLICATION

The procedure shown can be used where conventional starter strip is too narrow to fit an uneven base line, or where broken shingles or boards make installing the starter strip difficult or impossible. To solve the problem cut the butt end from a siding panel and install it upside down, inside out, against the base line of the house. The first panel course is then engaged in a normal manner as shown.



SOFFIT AND FASCIA

Soffit systems go up easily and utilize many of the techniques described earlier in the book. The following steps explain the procedure.

WALL RECEIVERS

1. Shown are the popular wall receivers used to receive soffit panels.
A. Soffit J-channel, B. Cove molding, C. F-channel (Reversible frieze).
2. Install one of the wall receivers at the wall line into existing soffit or outlookers (in new construction) with aluminum nails. Nails should penetrate 3/4" solid lumber.
3. If soffit has open rafters as shown, the wall receiver should be nailed to a chalked line level with the sub-fascia.
4. The wall receiver can be cut with tin snips, and nailing tabs can be bent up as shown, for nailing into side wall.

NAILING PANELS

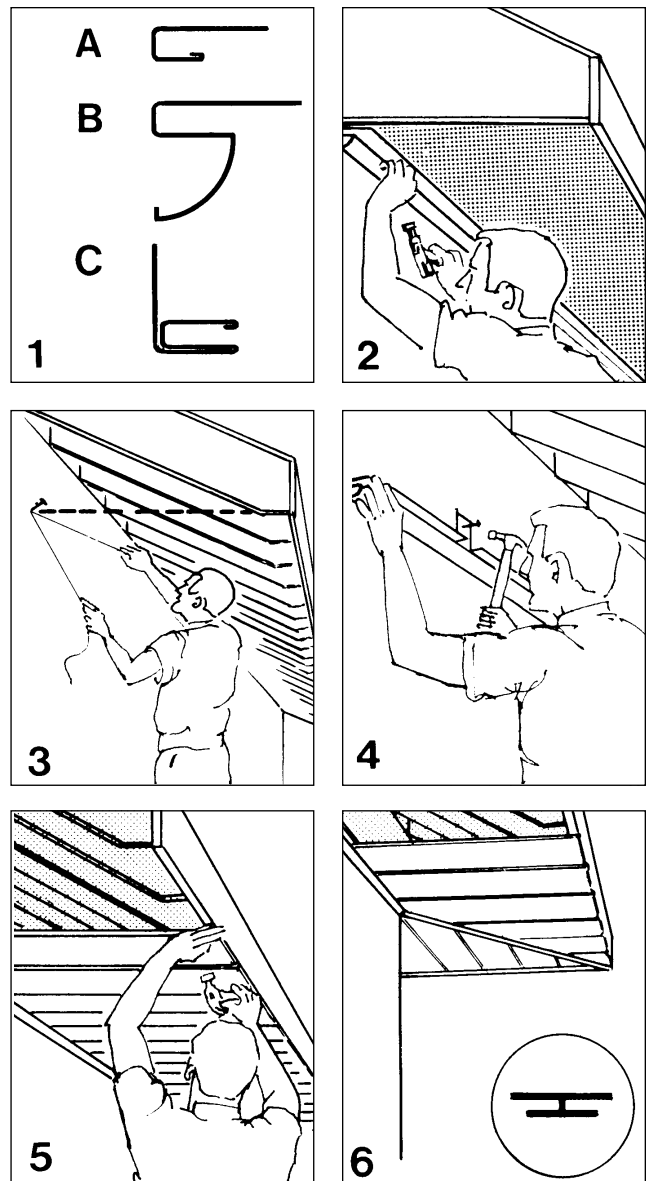
Cut panels to desired length to insert into wall receiver and line up flush with outside face of sub-fascia. Fit panel interlocks together and nail through using trim or siding nails.

5. Intermediate nailers are required 24" O.C. Use a pattern of vented, non-vented panels to provide good ventilation from the soffit. Check local building codes for recommended ventilation requirements.

MITER CORNERS

6. When soffit overhangs on both walls are of equal dimension, the miter should be installed at a 45° angle to the wall receiver. Panels are cut at a 45° angle, slipped into the opening in the miter and nailed in place.

Note: Ribs or grooves should be installed to line up at the miter.



SQUARE CORNERS

7. When overhang dimensions are not equal on both sides, install the miter molding parallel with the largest dimensions. Ribs or grooves will not line up on this application.

FASCIA

Various styles and height dimensions are available.

8. Never face nail ALUMINUM fascia. Face nailing can result in a wavy or buckled appearance during thermal expansion cycles. Always use a drip edge, gutter or snap-lock finish trim to receive cut top edge of fascia. If face nailing is the only option, pre-drill holes larger than the nail.

9. Nail underside of fascia as shown. Keep nails lined up with soffit V-grooves for best appearance. Nail every 24", but do not nail too tight.

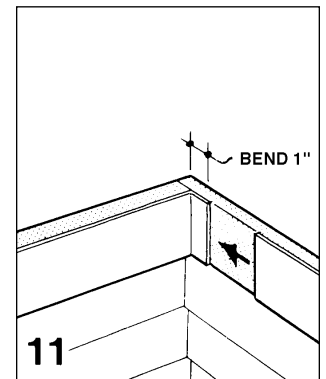
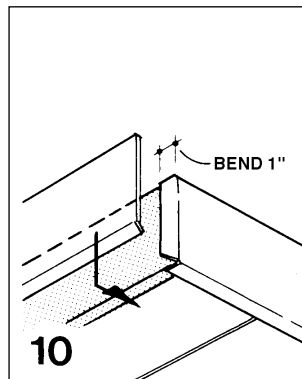
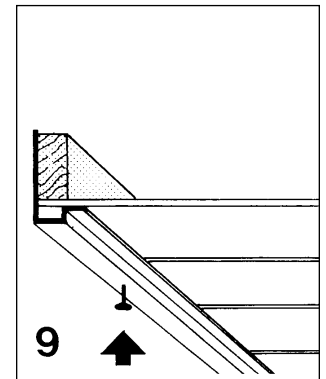
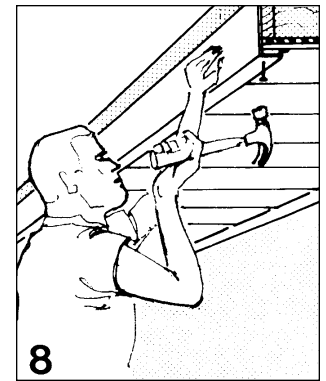
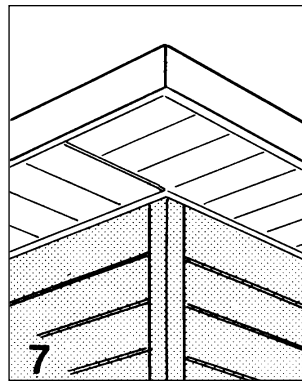
Many times it is necessary to use trim sheet bent on a portable brake to the special fascia shapes. Nail the special fascia the same way. Nails should penetrate a minimum of 3/4".

OUTSIDE CORNER FASCIA

10. Bend 1" flange on the first fascia piece, 90° around the corner. Cut overlapping fascia at 45° angle. Nail with appropriate coloured trim nails.

INSIDE CORNER FASCIA

11. Use the same technique as for the outside corner.



RAINWARE

GUTTERS

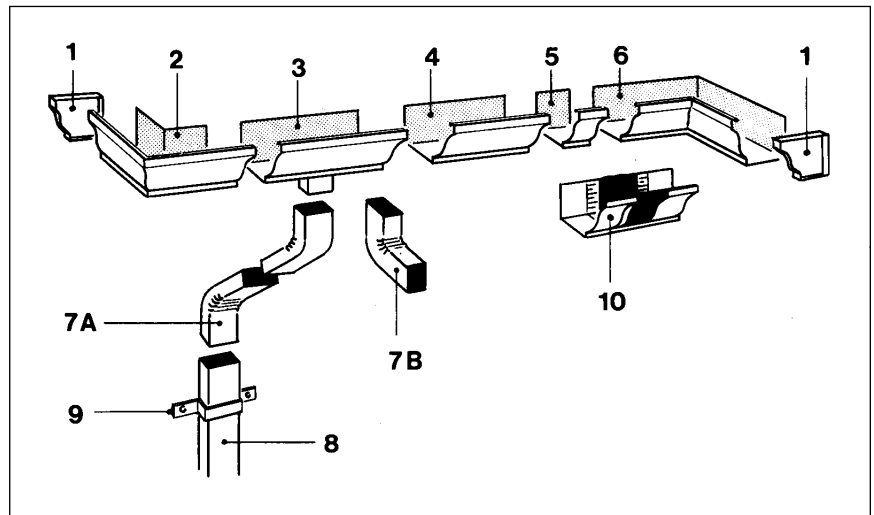
Standard type gutters are available as well as the newer free-floating systems which reduce chances of buckling and leakage due to contraction and expansion. Always use appropriate nails or screws for gutter brackets. Use pop rivets and gutterseal mastic to join sections of gutter.

Gutter can be installed level or sloped for drainage. If sloped, on long runs locate high spot in centre of run and pitch downhill to downspouts at corners. The gutter or hangers should be installed to a straight chalk line. After measuring and cutting, assemble one section at a time for best fit on the fascia. If gutter is assembled on the ground, make sure the sections are straight.



TYPICAL COMPONENTS:

1. End Cap
2. Outside Miter
3. End Piece with Outlet
4. Gutter Section
5. Slip Joint Connector
6. Inside Miter
- 7A. Elbow – Style A
- 7B. Elbow – Style B
8. Downspout or Conductor Pipe
9. Pipe Strap
10. Expansion Joint



Also available are hanger systems (page 39), as well as various fascia apron systems.

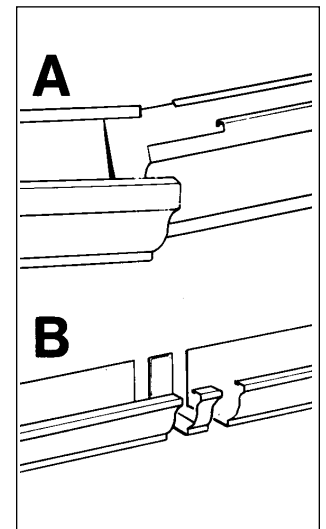
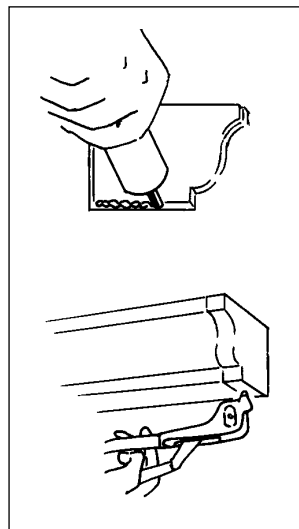
WATERPROOFING

Gutterseal all sections as they are assembled to prevent leaks. Also secure joints with pop rivets, and again apply gutterseal over the riveted joint.

JOINING GUTTER SECTIONS

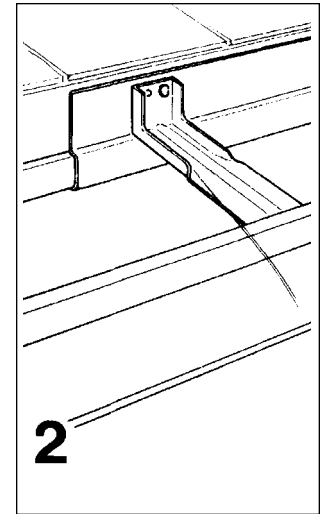
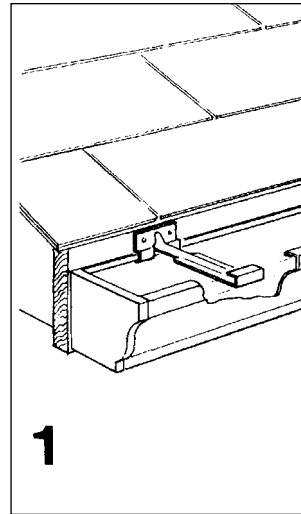
Gutter sections should be lapped 1-1/2" to 2" with top front bead and rear hook notched out as shown. Slip the notched gutter into the other section creating a step-down toward the downspout. Apply gutterseal between the overlaps, and pop rivet the pieces together (see Fig. A). On runs exceeding 40', or where gutter is restricted (hip roofs, U-shape roofs) expansion joints should be provided. When installing in cold weather, allow 1/2" gap in the notches on front and rear beads for expansion.

An alternate splice method is the use of slip joint connectors (see Fig. B). Also use a gutterseal mastic.



GUTTER HANGERS

There are a great variety of gutter-hanger styles and arrangements. Some fasten to the fascia board; some wrap around the gutter and secure by straps nailed under the roof shingles. The free-floating gutter systems generally use the fascia board mounting method with a concealed bar bracket. Variations include fascia aprons and roof aprons. Generally fascia brackets are spaced approximately 32" so nail penetrates rafter ends, using 1-1/4" appropriate screw shank nails. The roof hanger types should be nailed through sheathing and into rafters. Nail at every other rafter (32" maximum).



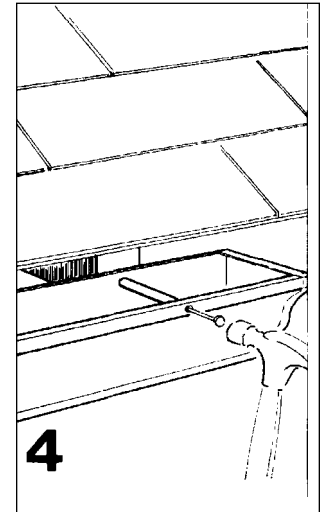
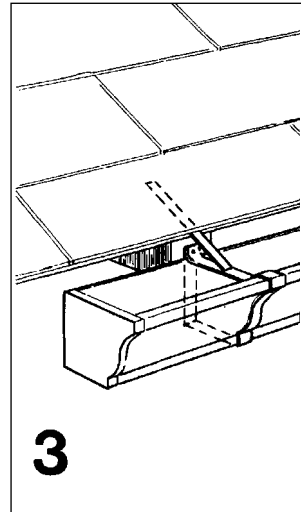
MOUNTING METHODS

A combination hanger used with a free-floating system is shown in Fig. 1. This is a concealed hanger, fascia-mounted, and hooks into front and rear gutter beads.

A variation shown in Fig. 2 features a combination bar hanger and fascia apron for more flashing at the back.

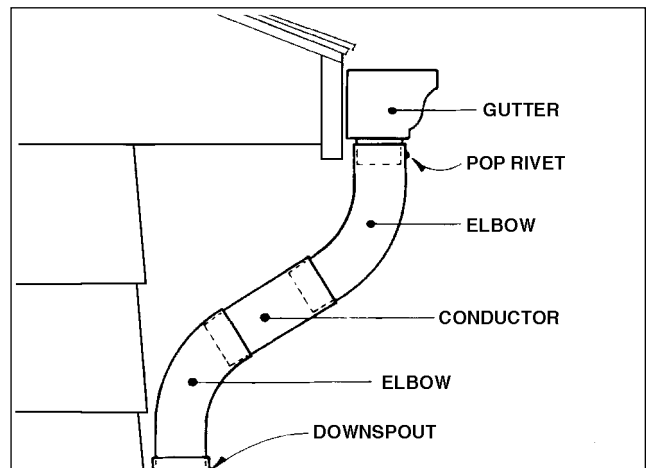
A wraparound hanger with roofing strap is shown in Figure 3. This traditional style is often used with open rafter ends and should be nailed under roof shingles at rafter location.

Figure 4 shows the spike-and-ferrule mounting. Insert a ferrule between gutter sides and in line with rafter end. Drive gutter spike through gutter, ferrule and into rafter end. Locate at every other rafter.



DOWNSPOUTS

Downspout is installed after gutter is hung, and should be flush with wall for maximum support. Downspouts, elbows and outlet tubes should be riveted together. Locate drop outlets in gutter immediately above downspout locations. Score and remove a piece of gutter bottom the same size as downspout. Insert drop tube through this hole and apply pop rivet and gutter sealer (from the inside). Elbow and downspout sections should always slide inside the section immediately below to prevent leakage. Use enough outlets and downspouts to handle water from the roof. A 2" x 3" downspout can normally handle 600 sq. ft. of roof area, and a 3" x 4" section can accommodate 1,200 sq. ft. Secure downspouts to house with pipe straps, using two per 10' length.



SIDING MATERIALS ESTIMATING WORKSHEET

Copy this Material Estimating Worksheet as needed.

SIDING:

Walls _____ sq. ft.
Gable ends _____ sq. ft.
Dormer _____ sq. ft.
Total wall area _____ sq. ft.
Subtract large unsided areas
(sliding glass doors, etc.)
Minus (-) _____ sq. ft.
Total net areas _____ sq. ft.
Total net square _____ squares
feet ÷ 100 = _____ of siding

Note: Add 10% to measurements for waste.
Also see Material Estimating information on page 8.

ACCESSORIES:

Starter strip _____ lineal ft.
J-channel _____ lineal ft.
Snap-lock finish trim _____ lineal ft.
Outside corner post _____ lineal ft.
Inside corner post _____ lineal ft.
Individual corner 8" _____ pieces
Backer tabs _____ pieces
Soffit panels _____ panels
Fascia trim _____ lineal ft.
Undersill trim _____ lineal ft.
Trim coil _____ lineal ft.
Gutter coil _____ lineal ft.
Downspouts _____ lineal ft.
Perforated foil _____ lineal ft.
Trim nails _____ lbs.



1001 Corporate Drive | Burlington, ON L7L 5V5
gentek.ca | *Make us a part of your home.*

