

## **High quality metal electromagnetic lock 12/24VDC embedded magnetism shear lock**

ACM-SL01 is a kind of shearing lock. by using the principle of electromagnetic force to attract the armature plate, and then stuck the two fixed legs inside the holes on the armature plate.

With combination of the power of electromagnetic force and holding force of the fixed legs, the shear lock can create a very large shearing force.

P  
a  
P  
a  
m  
d  
t  
e  
r  
D  
a  
s  
a  
m  
è  
p  
è  
r  
o  
n

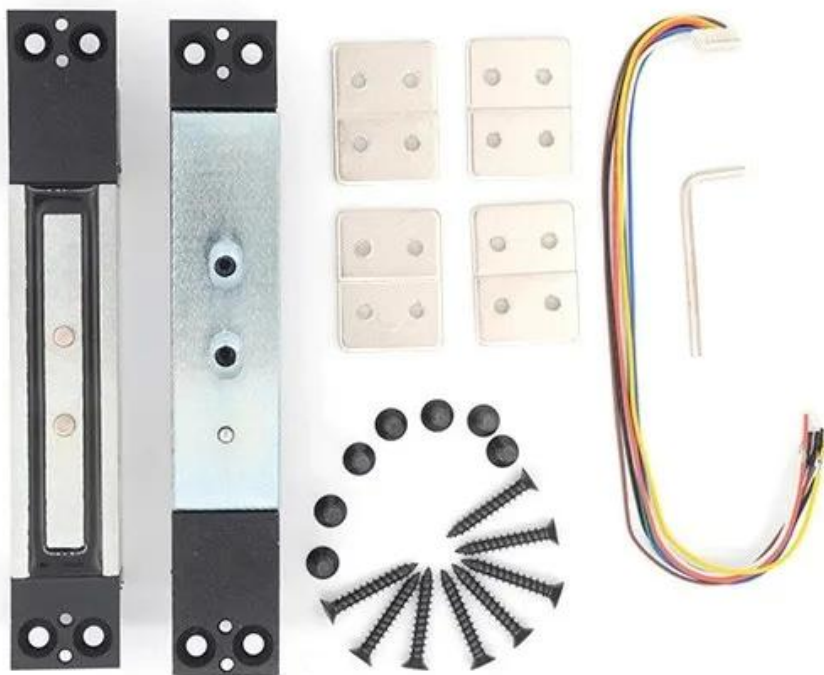
1  
8  
2  
L  
X  
3  
W  
X  
2  
5  
D  
(  
m  
m  
)  
1  
8  
A  
E  
X  
3  
W  
X  
2  
3  
P  
B  
D  
(  
m  
m  
)  
D  
C  
1  
2  
V  
6  
W  
4  
V  
n  
a  
p  
p  
b  
y  
d  
e  
r  
)

O  
p  
e  
r  
a  
t  
o  
r  
s  
C  
u  
r  
r  
e  
n  
t

W  
o  
o  
d  
e  
n  
d  
o  
o  
r  
,  
G  
l  
a  
s  
s  
A  
p  
p  
r  
i  
M  
a  
t  
t  
e  
r  
i  
a  
l  
b  
o  
o  
r  
,  
F  
i  
r  
e  
p  
r  
o  
o  
f  
d  
o  
o  
r  
H  
o  
l  
d  
i  
n  
g  
C  
u  
r  
r  
e  
n  
t

Handwritten text, possibly a signature or name, oriented vertically on the left side of the page.

R  
e  
d  
s  
h  
o  
w  
s  
l  
o  
c  
k  
e  
d  
;  
**G**  
**E**  
**D**  
e  
n  
s  
h  
o  
w  
s  
u  
n  
l  
o  
c  
k  
e  
d



## Product Advanatge

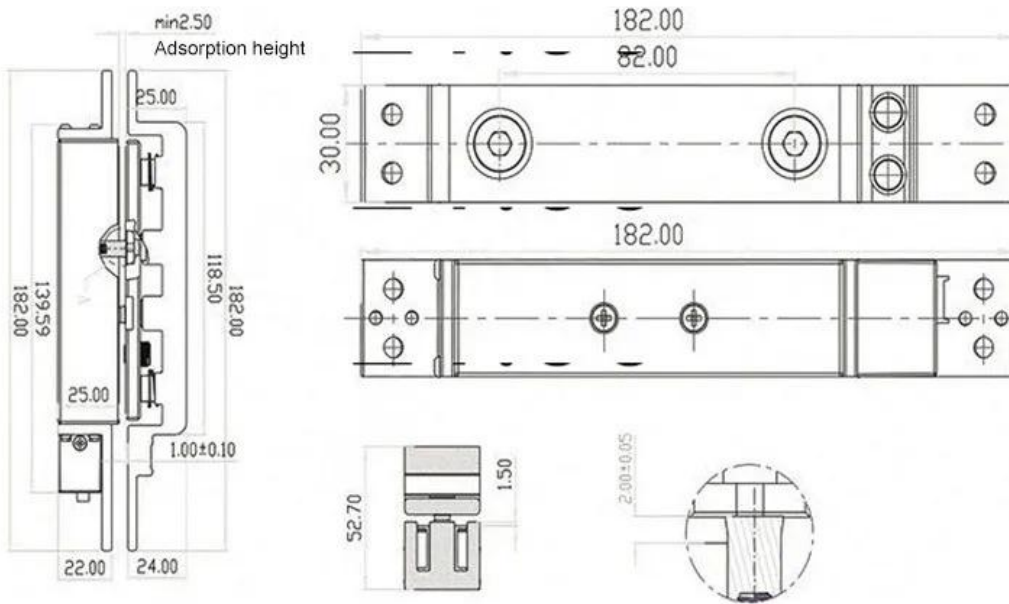
- \* Suitable for 90 or 180 degrees double swing doors
- \* When the lock is unlocked, it will lock the door automatically according to the program.
- \* With time delay function, door signal output and lock signal output
- \* With integral profiles and precise work, this lock is stronger and more durable.
- \* Professional and durable electromagnetic design with over 500,000 times qualified test.
- \* One-piece design and small size, which will be easy to install to any kinds of door frame
- \* By using electromagnetic force and latch design, the holding force of this shearing lock can achieve up to 1200kg
- \*With guide grooves at both sides of the armature plate
- \* A set of NO/COM door signal output contact and a set of NO/NC/COM lock signal output contact

Detailed Images , OEM/ODM available





## Dimensions >>



## Show details >>

01

**2600Lbs(1200kg)  
super holding force,  
safer**



02

**Door/lock status  
sensor**



03

**Ultra durable  
electromagnetic design**



04

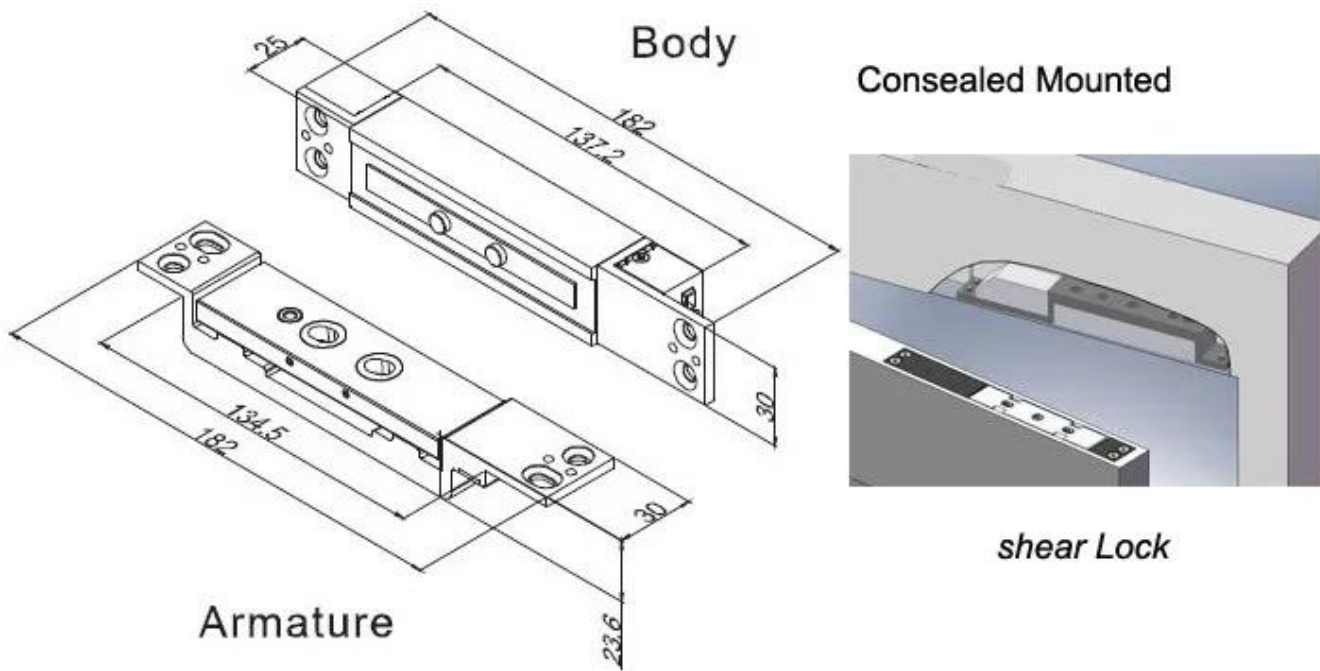
**With both magnetic  
and latch design**



## Quality Warranty

- Warranty Service will be honored if the damage is not caused by human, ACM Goldbridge provides 2 years warranty for relative products.
- On the contrary, ACM Goldbridge will charge extra if repair.
- More information, please browse our service center.

## Instalation Diagram



## You may need





### **ACM-Y130**

Standard Type electronic Stripe  
(NC/NO) For Wooden Door, Metal  
Door,PVC Door

### **ACM-Y131**

Stainless steel electronic Stripe  
(NC/NO) For Wooden Door, Metal  
Door,PVC Door

### **ACM-Y132**

280kg(600lbs) Single Door magnetic  
Lock Suitable For: Wooden Door, Glass  
Door, Metal Door, Fire Proof Door.



### **ACM-Y280**

Surface mounted magnetic lock(280kg/600lbs)

### **ACM-Y100S**

ELECTRIC DROP BOLT LOCK  
Time-delay &NO/NC Power to unlock

### **ACM-Y066**

Intelligent Smart Lock (motor lock)  
Lock size: 130x98x41mm Working

## Our Service

- 1, Any inquires will be replied within 24 hours
- 2, Professional manufacturer and supplier, Welcome to visit our website and our factory
- 3, OEM/ODM Available
- 4, High quality, fashin desing, reasonable & competitive price, fast lead time
- 5, After-sale Service :
  - 1), All products will have been strictly quality checked in house before packing
  - 2), All products will be well packed before shipping
  - 3), All our products have 2-3 year warranty if the damage is not caused by human
- 6, Faster delivery : Around 1~ 5 days for sample order, 7~30 days for bulk order
- 7, Payment : You can pay for the order via : T/T, Western Union, Paypal.
- 8, Shipping: We have strong cooperation with DHL, FEDEX, TNT, UPS, EMS, Forwarder by SEA and By AIR, You also can choose your own shipping forwarder.

## FAQ

### **Q: 1. How can I place an order?**

A: Please list your requirement to us via email. Then we will send the offer to you at earliest time,after order confirmation, we will arrange production ASAP.

### **Q: 2.What about the payment and shipment?**

A: Trade Assurance and T/T ,Paypal, Western Union.  
Clients can choose by sea, air or express(DHL, FedEx, TNT UPS etc.)

### **Q: 3. How can i get a sample to check your quality?**

A:We could provide free sample to you, and the freight cost payed by you.

### **Q:4. How long can I expect to get the samples?**

A: It depends on the quantity. Normally 3-7 days for 5000pcs and 7-15 days for 100,000pcs

### **Q:5. Can your products be customized?**

A: Almost all of your products are customized ,including the materia, size, thickness and printing. OEM orders are highly welcome.

### **Q:6.Are you a trading company or factory?**

We are the one of the biggest manufacturer of RFID cards/NFC tags/RFID keybod /RFID wristband[]rfid reader and access control products in China more than 20 years.