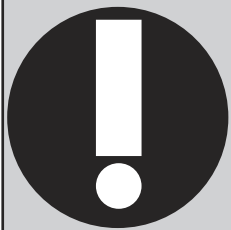


Notes:

- Track can be taken apart and put together at any pad. All pads and links are the same.
- Air Boss, Aircraft, Solid Rubber, and Foam—Filled tires should not be used in combination with tracks. Failures associated with non-pneumatic tire and track combinations are not covered by warranty.
- Please read all instructions before beginning installation of tracks.

CHECK TRACK PAD TO TIRE FIT

- The track pad should fit the tire with some side to side clearance.
 - A pad that squeezes the tire wall cause premature side wall wear
 - Although tracks have been sized to standard Skid Steer tire sizes, it is possible for tires to vary up to 1" (25mm) in diameter and width.
 - Tires can also vary in width due to different width rims.
 - If the track squeezes the tire, contact Grouser Products.
- Tire Tread design is also important to track performance.
 - Tracks were designed to grip the tire by having the tire bars squeeze between the track bars. If a tire does not have an open bar design or is worn to the point that the bars are essentially smooth, the tires will easily spin inside the tracks and not perform as designed.
- Tire pressure should be as recommended by the tire manufacturer.**
- Low tire pressure may cause tire damage.**



CAUTION: Tire pressure should be as recommended by the tire manufacturer. Low Tire Pressure is the single biggest reason the tire wall damage occurs. Tire wall damage is not warranted by Grouser Products. If tire wall damage begins to occur it is the responsibility of the operator to stop running the machine and address the situation

DETERMINING PROPER CLEARANCE BETWEEN TRACKS AND SKID STEER



CAUTION: To avoid injury, always raise skid steer boom arms and lower onto boom locks before mounting or dismounting tracks

Note: For ease of installation, take one pad and use it to check for clearance before you begin mounting the tracks.

- Check around skid steer frame and tires for adequate space for track installation. The skid steer will require approximately 1.5" (38mm) of clearance around the face of the tire and approximately 2.5" (63.5mm) at the side of the tire to be able to accommodate tracks.
- Tire clearances play a very important part in proper track installation. Even though tracks have been designed to take up as little room as possible, there will be skid steers that have interference areas such as fenders, gussets, boom arms, hoses, hubs, etc. Oversize diameter tires, narrow tires, and wide tires can also cause interference. It may be necessary to change tires to correct an interference problem.
- After the tracks have been installed, verify that you have 0.5" (13mm) of clearance around the face of the track and 0.75" (19mm) of clearance from the inside side plate of the track to the machine. (Side to side movement on the tire is acceptable as long as it does not allow tracks to come in contact with the skid steer frame.)

Installing Wheel Spacers (if required)

Two methods are available to provide adequate clearance when installing:

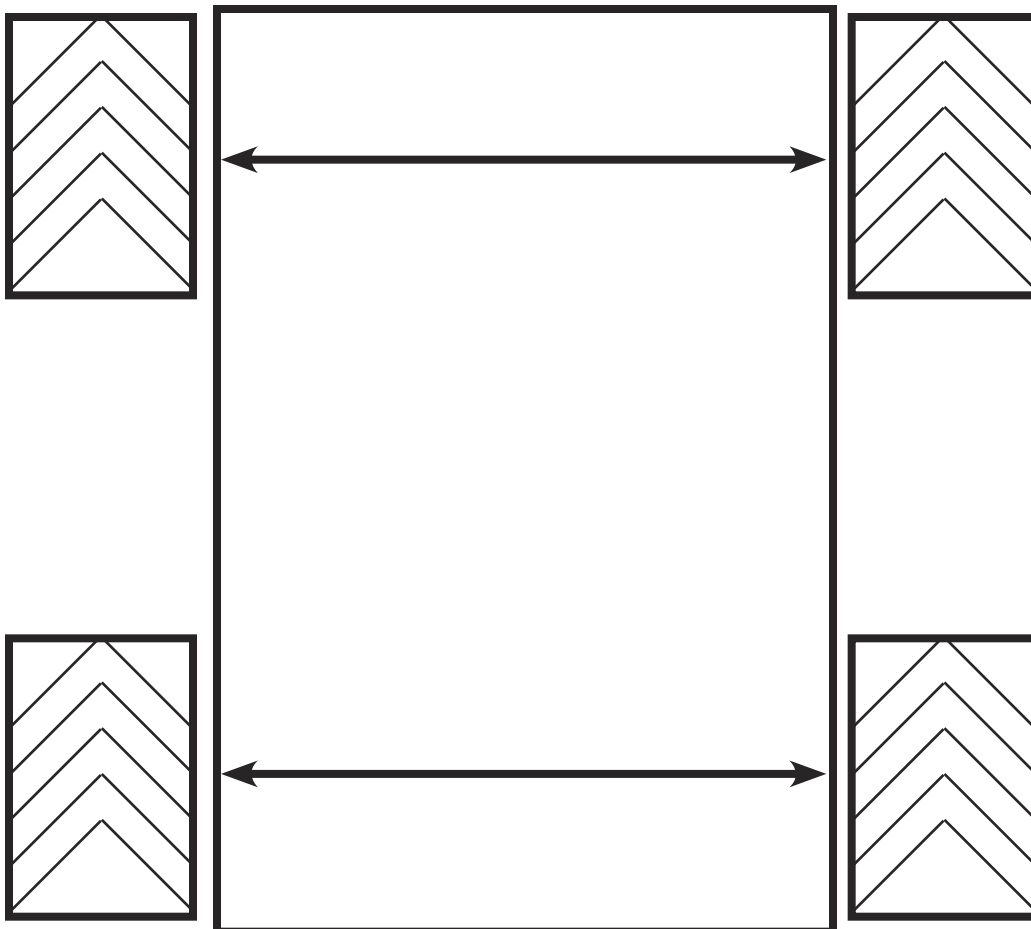
1. TURN THE WHEELS AROUND IF RIM HAS ADEQUATE OFFSET See Diagram (below)

Note: Bolt holes should be countersunk on both sides of the rim to reverse the wheels. If only one side is countersunk the rim can still be turned around if the contact to the axle is sufficient and the rim center hole sits on the axle pilot. The nuts should be turned around so the flat side will contact the rim. A flange nut or flat washer can be used if necessary.

Any questions on this method please call Grouser at 800-747-6182.

- Remove right front wheel and replace with left front wheel making sure the tread is still facing forward.
- Place right front wheel on left front of skid steer with tread facing forward.
- Repeat for rear tires.
- Torque wheel nuts to factory recommended specs.
- Check nuts frequently to ensure they remain tight.

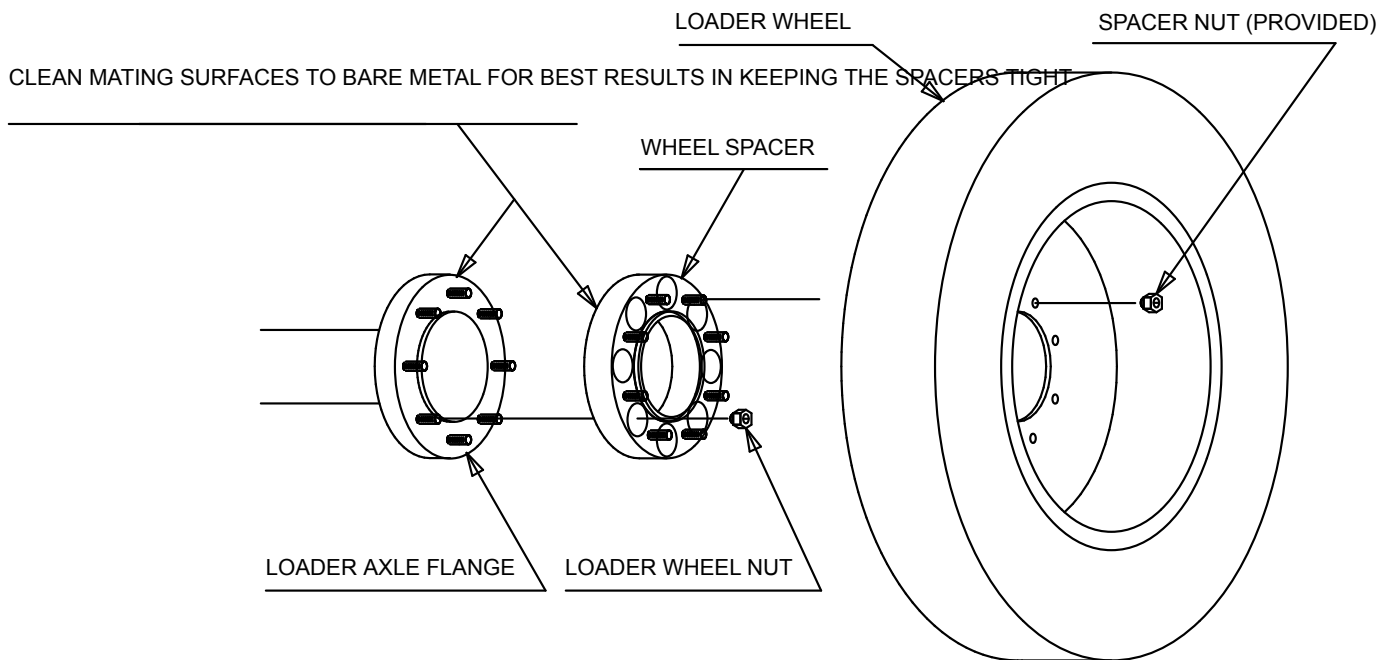
Note: Other rims are available to create different offsets, which may provide additional clearance between the track and the machine. Contact your local tire dealer for more information.



2. INSTALL WHEEL SPACERS: See Diagram (below)

- Remove loader wheel.
- Sand and clean the face of the axle flange and the rear of the spacer to bare metal.
- Bolt the spacer to the loader axle using the loader wheel nuts.
 - Torque wheel nuts to factory recommended specs.
 - Lock tight may be used to ensure these nuts stay tight.
- Note: Once the wheel is mounted, the axle hub nuts are not accessible
- Clean mounting surface, then mount the rim on the spacer studs with provided spacer nuts
- Torque to 120 ft-lbs or the manufacturer's specs whichever is greater.
- Check nuts frequently to ensure they remain tight.

Although Grouser has made recommendations on clearance requirements and suggested modifications it is the sole responsibility of the owner to determine and correct any clearance problems that may exist. Grouser does not warrant or take responsibility for any damages that may incur from modifications made to the loader to accommodate the fit of "over-the-tire" tracks can be used.



Installing Track with Operator Only



1: Position track face up on a level surface, roll first pad onto the adjacent pad. Drive skid steer up to track. Tie a rope around the center of first pad.



2: Center rope over front tire and pull rope towards back tire.



3: Tuck end of rope under rear tire.



4: Drive skid steer backwards to pull the track onto the front tire. Continue to back up, the rope will carry the track from the front tire to the rear tire.



5: The track will roll around the rear tire and start towards the front.



6: Stop the skid steer when the two ends of the track are at the front of the machine.



7: Tie the two ends of the track together with the rope.



8: Drive the skid steer backwards to position both ends of the track between the tires of the skid steer.



9: Untie the rope and continue with installing the binder and ratchet strap. To complete installation see page 9.

Installing Track with Helper



1: Lay track face down on a level surface. Drive skid steer forward onto track.



2: Drive until track is just past the rear tire.



3: Have helper lift pad section and hold it against rear tire, drive skid steer forward and the track will follow the tire around.



4: As the track comes between the tires, lift the pad section across to the front tire.



5: When both ends of the track are at the front of the machine hold pad section against front tire, back skid steer up and track will follow tire.



6: Stop skid steer when both ends of track are between tires and continue with installing the binder and ratchet strap on page 9

Installing Ratchet and Strap



1: Standing facing skid steer. Place web binder on rear track tire as shown. Run strapped under first bar of second pad. Continue running strapped under first pad.



2: Pull strap to front tire and under first pad and continue the pulling strap under the first bar of the second pad.

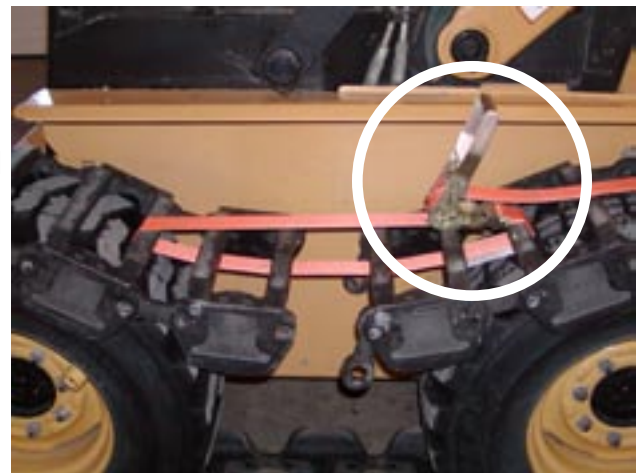


3: Bring end of strap back to ratchet assembly. Make sure there are not twist's in strap.



4: Insert strap through the slot and pull on strap until strap is tight. Begin to ratchet on handle to lock strap in place.

6: Have ratchet assembly near first bar of second pad when starting to tighten track.



Connecting Track



1: Tighten strap with ratchet as much as possible to get the slack out.



2: The skid steer will have to be driven back and forth to ensure a majority of the slack is taken out. Be careful not to drive too far, as damage to web binder or skid steer might occur.



3: Continue to ratchet until the links will go into the slots on the adjoining pad. Make sure the bushings are installed in the links.



4: Both links need to be in the slots at the same time. Run ratchet handle until the bolt holes in the pad line up with the holes in the bushing.



5: If the holes don't line up correctly a line-up punch can be used.



6: Insert bolts from inside of track.



7: Put nuts on bolts of track. Once both bolts are inserted, web binder and brackets may be removed.

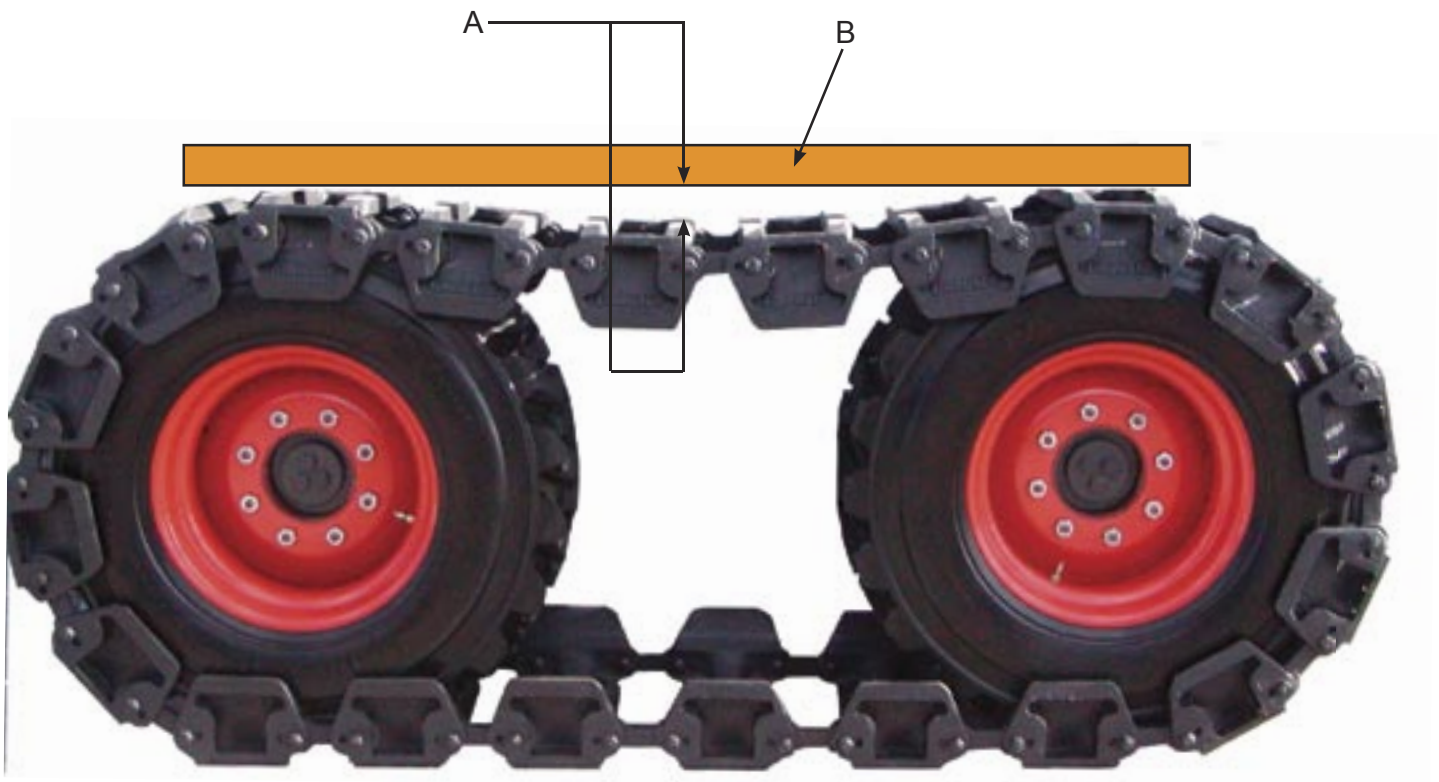


8: To ease in tightening bolts, move machine so nuts are at an accessible area. Torque bolts to 90 Ft. Lbs. Repeat for other side of skid steer.

Determining Proper Track Length

Note: Tracks were designed to run loose, not tight.

The proper track length is achieved when all the slack in the tracks is at the top and there is approximately 1" to 3" (25 to 76mm) (A) of Sag between the straight edge (B) and tracks.



DETERMINING PROPER TRACK LENGTH



IMPORTANT: If track is adjusted too tightly, damage is likely to occur to the tracks and skid steer and cause premature wear of linkage system.

DO NOT install bolts using hole spacing (C)

Pull the ends together and install the pair of bolts in the long or short hole spacing as needed.

(A) - Use for long spacing of tracks.

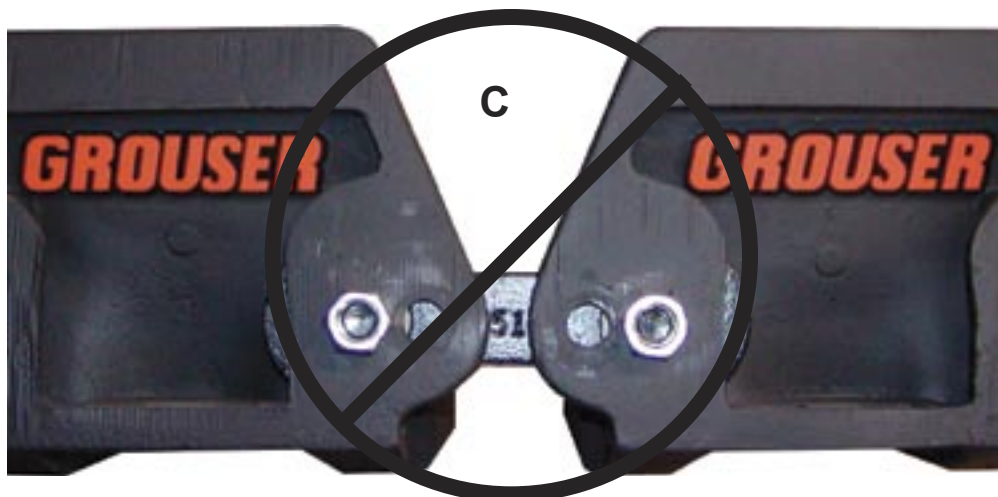
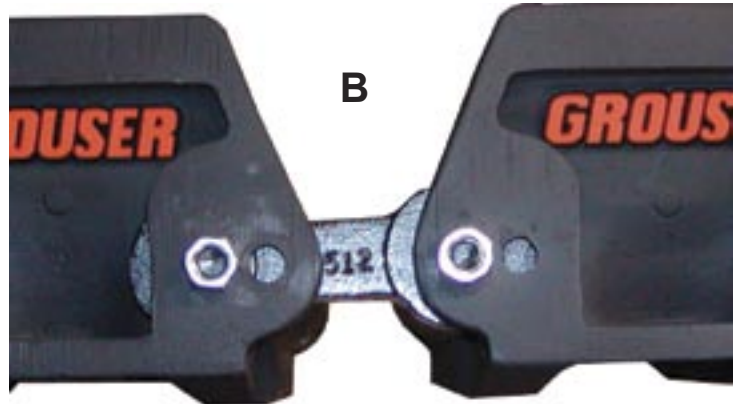
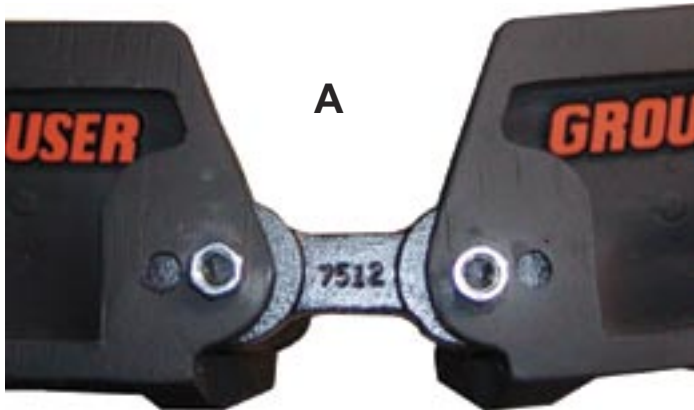
(B) - Use for short spacing of tracks.

Note: If it appears that you will need to adjust more than a few pairs of bolts in order for the track to fit, it is easiest if you drive the skid steer off the track and adjust the track on the ground.

•One way to determine how much the track may need adjusting is to remove one pad which is 10" (254mm) in length, then pull the ends together with the binder.

•Measure the amount needed to connect the track and subtract the amount from 10" (254mm). Divide the difference by 0.81" (20.6MM) (or look up in the chart below) and the answer is the number of bolt pairs that should be moved to the short holes.

•Example: With one pad removed the ends are 3" (76.2mm) apart. So 10" (254mm) minus 3" (76.2) equals 7" (177.8mm) divided by 0.81" (20.6mm) equals 8.6. Therefore, remove the track, relocate 9 pairs of bolts to the short holes and install the pad that was taken out.



DETERMINING PROPER TRACK LENGTH

- It will enhance performance and aid cleaning if you move one pair of bolts per pad so the bars are not crowded together in one area.
- Remember, each time you move one pair of bolts it is equal to 0.81" (20.6mm)
- Adjusting twelve pairs of bolts is equal to removing one pad.



IMPORTANT: If track is adjusted too tightly, damage is likely to occur to the tracks and skid steer.

DO NOT install bolts using hole spacing (C)

- A—Use for long spacing of pads.
- B—Use for short spacing of pads
- Keep the track adjusted closer to the recommended 1" (25.4mm) sag when work conditions allow the tires slip inside the track or the track hits the skid steer due to slack.

Note: Adjustment of track length may vary on each side of the skid steer due to variations in the tire diameters.

- Repeat process for other set of tracks on the other side of skid steer.
- Enter skid steer, fasten seat belt, start engine, disengage boom locks, lower boom arms, and disengage park brake.
- Perform track test.
- Torque Bolts to 90 foot lbs.

TRACK TEST

- With tracks installed on both sides, slowly drive the skid steer forward and reverse to ensure that the tracks do not catch on or hit any part of the skid steer.
- Proper modifications must be made to ensure that the tracks do not catch on or come in contact with any part of the skid steer.
- Test the skid steer until it can be driven at top speed without the track contacting the machine.
- Repeat this test frequently to verify that all bolts are tight and that no damage is being caused to tracks or skid steer.

Track Removal and Storage

Tracks are easily removed by Reinstalling web binder, loosening nuts, and taking the bolts out from between the tires on the top of the track (A) . Once the bolts are removed, simply drive out from the tracks. Install the removed bolts back into the last pad to avoid loosing or damaging them.

Note 1: If tracks are going to be stored in the laid out position, move the skid steer to the storage area.

Note 2: If tracks are going to be rolled up and stored on a pallet, it is best to remove them on a hard surface. The easiest way to roll the tracks is to set them on edge.



Warranty

Grouser Products, Inc. warrants its Tracks for two years. The warranty is for repair or replacement of those parts that are deemed defective by Grouser Products. Any modification to the Track or parts without proper authorization voids the warranty. Any product returned to Grouser Products for warranty inspection must be shipped freight prepaid and will be returned freight collect unless authorized otherwise. All costs for removal and installation are at customer's expense. Grouser Products warranty does not cover damages to loader, loader tires or the environment resulting from use. Tire sizes can and do vary in width and height, which can cause tire damage or a clearance problem. It is the responsibility of the customer to determine that final fit up, including clearances and safety shielding is correct. There is no other warranty.

If you have any questions pertaining to this warranty or tire fit please call Grouser Products:

