

Parts Manual

*EH and QMB Mechanical Booster Pumps
and QMBDD Direct Drive Mechanical
Booster Pumps*

CONTENTS

Section	Title	Page
1	INTRODUCTION	1
1.1	Scope of this manual	1
1.2	Applicability	1
1.3	Parts list	1
2	EH/QMB/QMBDD250 COMMON MODULE PARTS LIST	3
3	EH250 DRIVE ASSEMBLY PARTS LIST	6
4	QMB250F DRIVE ASSEMBLY PARTS LIST	9
5	QMBDD250 DRIVE ASSEMBLY PARTS LIST	12
6	EH/QMB/QMBDD500 COMMON MODULE PARTS LIST	15
7	EH500 DRIVE ASSEMBLY PARTS LIST	18
8	QMB500F DRIVE ASSEMBLY PARTS LIST	21
9	QMBDD500 DRIVE ASSEMBLY PARTS LIST	24
10	EH/QMB1200 COMMON MODULE PARTS LIST	27
11	EH1200 DRIVE ASSEMBLY PARTS LIST	30
12	QMB1200 DRIVE ASSEMBLY PARTS LIST	33
13	EH2600 PUMP PARTS LIST	36
14	EH4200 PUMP PARTS LIST	40
15	MAINTENANCE KITS	44
16	COUPLING ENCLOSURES AND MOTORS (EH AND QMB PUMPS ONLY)	45

ILLUSTRATIONS

Figure	Title	Page
1	EH/QMB/QMBDD250 Common module	3
2	EH250 Drive assembly	6
3	QMB250F Drive assembly	9
4	QMBDD250 Drive assembly	12
5	EH/QMB/QMBDD500 Common module	15
6	EH500 Drive assembly	18
7	QMB500F Drive assembly	21
8	QMBDD500 Drive assembly	24
9	EH/QMB1200 Common module	27

djd.0278

ILLUSTRATIONS (CONTINUED)

10	EH1200 Drive assembly	30
11	QMB1200 Drive assembly	33
12	EH2600 Pump	36
13	EH4200 Pump	40

TABLES

Table	Title	Page
1	EH/QMB/QMBDD250 Common module parts list	4
2	EH250 Drive assembly parts list	7
3	QMB250F Drive assembly parts list	10
4	QMBDD250 Drive assembly parts list	13
5	EH/QMB/QMBDD500 Common module parts list	16
6	EH500 Drive assembly parts list	19
7	QMB500F Drive assembly parts list	22
8	QMBDD500 Drive assembly parts list	25
9	EH/QMB1200 Common module parts list	28
10	EH1200 Drive assembly parts list	31
11	QMB1200 Drive assembly parts list	34
12	EH2600 Pump parts list	37
13	EH4200 Pump parts list	41
14	Maintenance kits	44
15	Item numbers of coupling enclosures and motors	45

1 INTRODUCTION

1.1 Scope of this manual

This manual provides information about the component parts of the Boc Edwards EH and QMB Mechanical Booster Pumps, and the QMBDD Direct Drive Mechanical Booster Pumps.

Exploded views of all pumps and motors are shown in Sections 2 to 14, together with a list of the component parts shown and an indication of whether the component parts are available as spares.

Section 16 lists the replacement motors and coupling enclosures available for the EH and QMB Pumps.

1.2 Applicability

The information in this manual is applicable to production standard EH, QMB and QMBDD Pumps; that is, EH250 Pumps with a serial number of 6500 or higher, EH500 Pumps with a serial number of 3500 or higher, EH1200 Pumps with a serial number of 4000 or higher, EH2600 Pumps with a serial number of 1243 or higher, EH4200 Pumps with a serial number of 649 or higher and all QMB and QMBDD Pumps.

1.3 Parts list

Exploded views of the EH, QMB and QMBDD Pumps are shown in Figures 1 to 13. The component parts referenced on these figures are listed in Tables 1 to 13. When you read Tables 1 to 13, take note of the following:

- Where parts lists contain numbers with a superscript \emptyset , this indicates a range of parts to be added after painting.
- The entries in the 'Kit No.(s)' column are cross references to the kits in Section 15. If a part has an entry in this column, then the component part is included in the referenced maintenance kit(s).
- If a part has an entry in the 'Item Number' column, then the part is available as a spare and the entry defines the Item Number of the spare part.
- Table 15 in Section 16 lists the Item Numbers of motors and coupling enclosures for all EH, QMB and QMBDD Pumps. Select the correct components for your pump from this table; refer to the specification of the electrical supply frequency and the type of oil used in the pump.

The following GA drawings were used to generate these parts lists:

A30130000	EH/QMB250 Common module
A30151000	EH250 Drive assembly
A30185905	QMB250F Drive assembly
A30140905	QMBDD250 Drive assembly
A30230000	EH/QMB500 Common module
A30271000	EH500 Drive assembly
A30285905	QMB500F Drive assembly
A30240905	QMBDD500 Drive assembly
A30530000	EH/QMB1200 Common module
A30590000	EH1200 Drive assembly
A30585000	QMB1200F Drive assembly
A3075xxxx	EH2600 Pump
A3095xxxx	EH4200 Pump

2 EH/QMB/QMBDD250 COMMON MODULE PARTS LIST

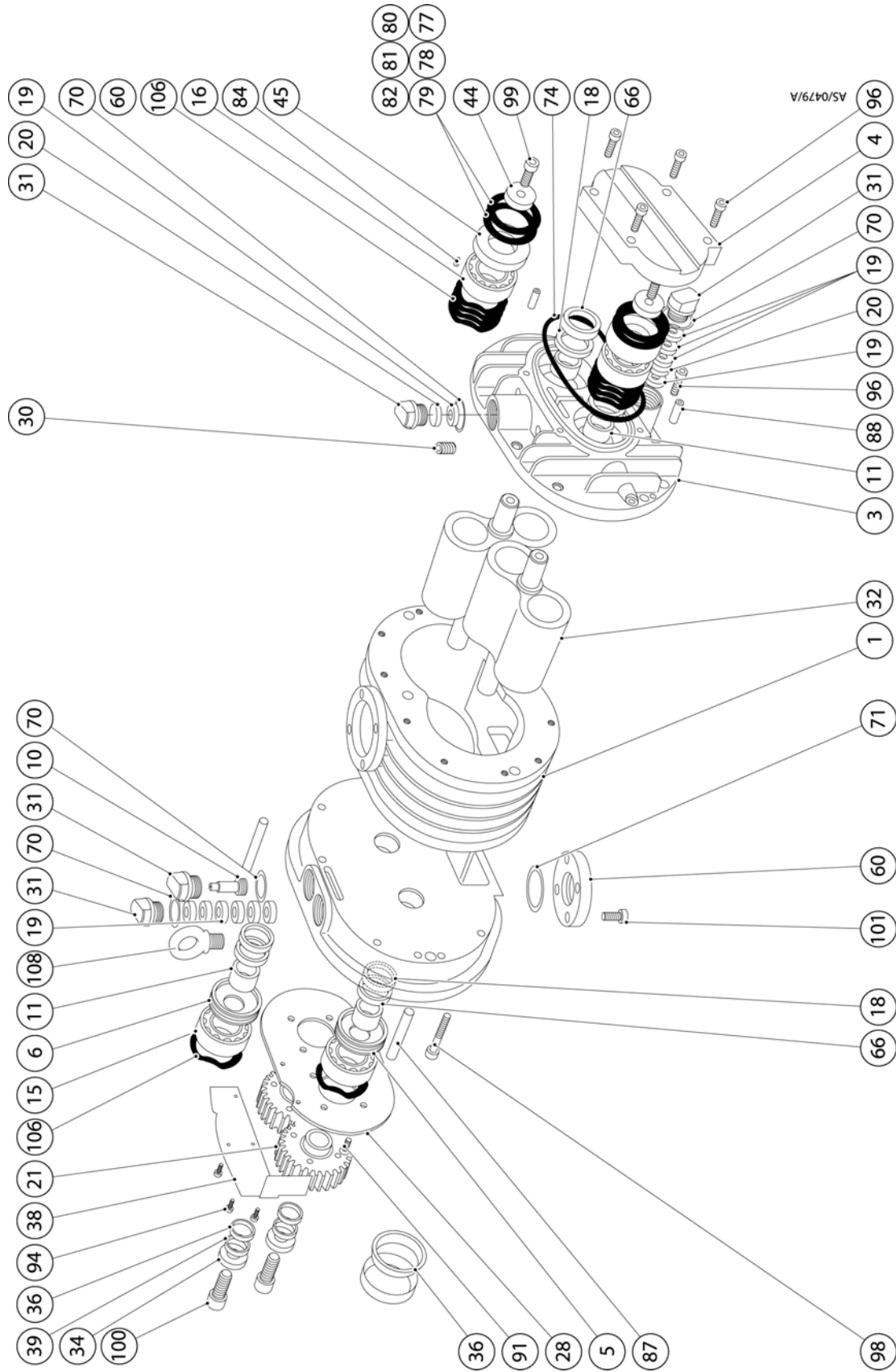


Figure 1 - EH/QMB/QMBDD250 Common module

Ref.	Description	Product Quantity	Item Number	Kit No.(s)
001	Stator (c iron)	1	A30151001	
002	Headplate front (c iron)	1	A30151002	
003	Headplate rear (c iron)	1	A30271008	
004	End cover (c iron)	1	A30271009	
005	Oil thrower (right hand) (stl)	1	A30151005	
006	Oil thrower (left hand) (stl)	1	A30151006	
010	Evacuation adaptor (stl)	1	A30151011	
011	Inner ring special ir (20 x 25 x 20 cr stl)	4		3
015	Ball bearing (52 x 20 x 15 Rubber seal)	2		3
016	Ball bearing (52 x 20 x 15 Steel shield)	2		3
018	Dust seal (felt)	4		3
019	Filter (felt)	11		3
020	Filter (felt)	2		3
021	Gears (stl)	1PR	A22903010	
028	Bearing retainer (stl)	1	A25971016	
030	1/8" BSPT Pressure plug (stl)	2	H03517004	
031	1/2" BSP plug (stl)	4	A26002021	
032	Rotor (c iron)	2	A26401045	
034	Thrust ring (stl)	2	A26407003	
036	Locking elements 'Ringfeder' (stl)	2PR	A26440001	
038	Baffle plate (stl)	1	A25970056	
039	Clamp ring (stl)	2	A27801001	
044	Thrust ring (stl)	2	A26407011	
045	Spacer (stl)	2	A30271010	
060	Flange (stl)	1	C10005099	
066	Lipseal 35 x 25 x 8 (PTFE)	4		3
070	'O' ring 19.5 i/d x 3 section (Viton)	4		3
071	'O' ring 42.5 i/d x 3 section (Viton)	1		3
074	'O' ring 109.5 i/d x 3 section (Viton)	1		2
077	Shim 0.125mm thick (stl)	A/R		4
078	Shim 0.20mm thick (stl)	A/R		4
079	Shim 0.25mm thick (stl)	A/R		4
080	Shim 0.35mm thick (stl)	A/R		4
081	Shim 0.40mm thick (stl)	A/R		4
082	Shim 0.30mm thick (stl)	A/R		4
084	Spring pin (headed) 1/8" x 1/2"	2	27011-028	
087	Parallel dowel dia 10 x 60	2	211181764	20
088	Parallel dowel dia 10 x 24	2	211181762	20
091	Std ms csk head scr M6 x 12 (stl)	8		

Table 1 - EH/QMB/QMBDD250 Common module parts list

Ref.	Description	Product Quantity	Item Number	Kit No.(s)
094	Std ms pan head scr M4 x 8 (stl)	3		
096	Soc head cap scr M6 x 20 (stl)	14		
098	Soc head cap scr M6 x 40 (stl)	9		
099	Soc head cap scr M8 x 25 (stl)	2		
100	Soc head cap scr M10 x 25 (stl)	2		
101	Soc head cap scr M8 x 20 (stl)	4		
102	Loctite 518	A/R		
103	Loctite 641	A/R		
104	Loctite 577	A/R		
105	Loctite 222 'screwlock'	A/R		
106	Pre load waved wshr (drg spec)	8	218984728	
108	Eyebolt M12 (drg spec) (stl)	1	218790005	
110	Fomblin PT15 (alt: Krytox 240ad)	A/R	H11350003	

Table 1 - EH/QMB/QMBDD250 Common module parts list (continued)

3 EH250 DRIVE ASSEMBLY PARTS LIST

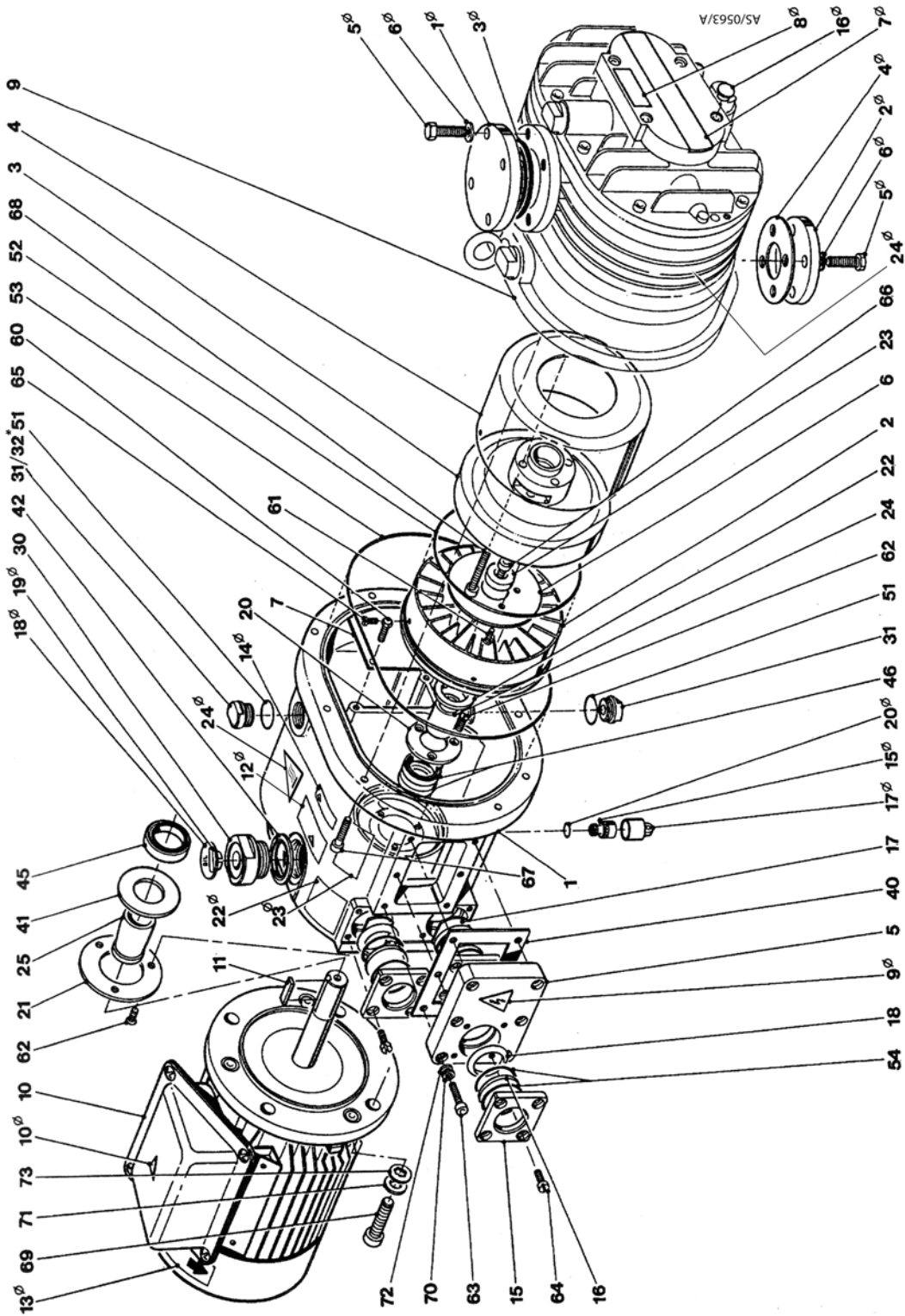


Figure 2 - EH250 Drive assembly

Ref.	Description	Product Quantity	Item Number	Kit No.(s)
001	Coupling cover (ali)	1	A30151016	
002	Fluid coupling (driver) (ali)	1	A30271030	
003	Fluid coupling (driven) (ali)	1	A30271007	
004	Coupling enclosure (ali)	1	See Table 15	
005	Cover plate (m stl)	1	A30185011	
006	Coupling baffle (m stl)	1	A25970007	
007	Oil reservoir cover (m stl)	1	A25970008	
009	Pump module assembly	1	A30130000	
010	Drive	1	See Table 15	
011	Key 20 x 6 x 3 (stl)	1	A24301024	
015	Sight glass bezel (nylon)	3	A25908100	
016	Sight glass (glass)	3		1,2
017	Sight glass reflector (st stl)	2	A25976001	
018	Compression ring (m stl)	3	A27820008	
020	Seal retainer	1	A25971002	
021	Retainer	1	A25971027	
022	Thrust ring	1	A26407002	
023	Thrust ring	1	A26407004	
024	Straight sleeve	1		1,2
025	Sleeve (hardened)	1		2
030	1" Gas plug with vent (m stl)	1	A26002041	
031	1/2" BSP plug (m stl)	2*	A26002021	
032	Filler plug purge adaptor EH250C/T160 only	1	A30555005	
040	Gasket (Viton)	1		1,2
041	Seal ring (rubber)	1		2
042	1" BSP Dowty washer	1	H02104008	
045	Seal 30 x 42 x 7 (Viton)	1		2
046	Seal 25 x 35 x 7 (Viton)	2		1,2
051	'O' ring 19.5 i/d x 3 section (Viton)	2		1,2
052	'O' ring 149.5 i/d x 3 section (Viton)	1		1,2
053	'O' ring 229.5 i/d x 3 section (Viton)	1		1,2
054	'O' ring 1.234" i/d x 0.139" sect (Viton)	4		1,2
060	Hex head scr M5 x 10 (m stl)	3		
061	Csk head scr M4 x 10 (m stl)	4		
062	Csk head scr M5 x 10 (m stl)	6		
063	Soc head cap scr M5 x 20 (m stl)	6		
064	Pan head scr M5 x 10 (st stl)	12		
065	Pan head scr M4 x 8 (m stl)	6		
066	Soc head cap scr M6 x 20	1		
067	Soc head cap scr M6 x 25	9		
068	Soc head cap scr M6 x 40	4		
069	Soc head cap scr M10 x 25	4		
070	Std plain washer M5 (m stl)	6		

Table 2 - EH250 Drive assembly parts list

Ref.	Description	Product Quantity	Item Number	Kit No.(s)
071	Std plain washer M10 (m stl)	4		
072	Std shake proof washer M5 (m stl)	6		
073	Std shakeproof washer M10 (m stl)	4		
001 Ø	Blanking flange ISO 63	1	A52803027	
002 Ø	Blanking flange ISO 40	1	A52801027	
003 Ø	Trapped 'O' ring ISO 63	1	B27158170	
004 Ø	Co-seal ISO 40	1	B27158457	
005 Ø	Std hex head scr M8 x 30 (st stl)	8	27525-073	
006 Ø	Std plain washer (m stl)	8	218980210	
007 Ø	Label (ali)	1	A20001226	
008 Ø	Label (plast)	1	A20001097	
009 Ø	Warning label (plast) 'Caution'	1	A20001700	
010 Ø	Warning label 'Electrical' (plast)	1	E20001063	
012 Ø	Label 'Do not overfill' (plast)	1	A20001709	
013 Ø	Label 'Direction of rotation' (plast)	1	A20001785	
014 Ø	Label 'Fomblin only' (plast)	1	A20001082	
015 Ø	Indicator assembly (m stl)	1	A30151022	
016 Ø	'Heyco' plug (plast)	4	26011-012	
017 Ø	Modified cap (rubber)	1	A30151024	
018 Ø	Insert 'Oil filler plug' (plast)	1	A25908035	
019 Ø	Label 'Vented' (plast)	1	A20001195	
020 Ø	'O' ring size ref 0111-16 (Viton)	1		
021 Ø	Csk head screw M5 x 10 lg (m stl)	1	218032328	
022 Ø	Label 'Shaft seal reservoir' (plast)	1	A20001240	
023 Ø	Label 'Coupling-cover filler plug' (plast)	1	A20001241	
024 Ø	Warning label 'Hot surface'	3	A20001286	Pk of 25

Table 2 - EH250 Drive assembly parts list (continued)

* Only 1 used on EH250C/T160, The other one is replaced with a filler plug with a purge adaptor ref 32.

4 QMB250F DRIVE ASSEMBLY PARTS LIST

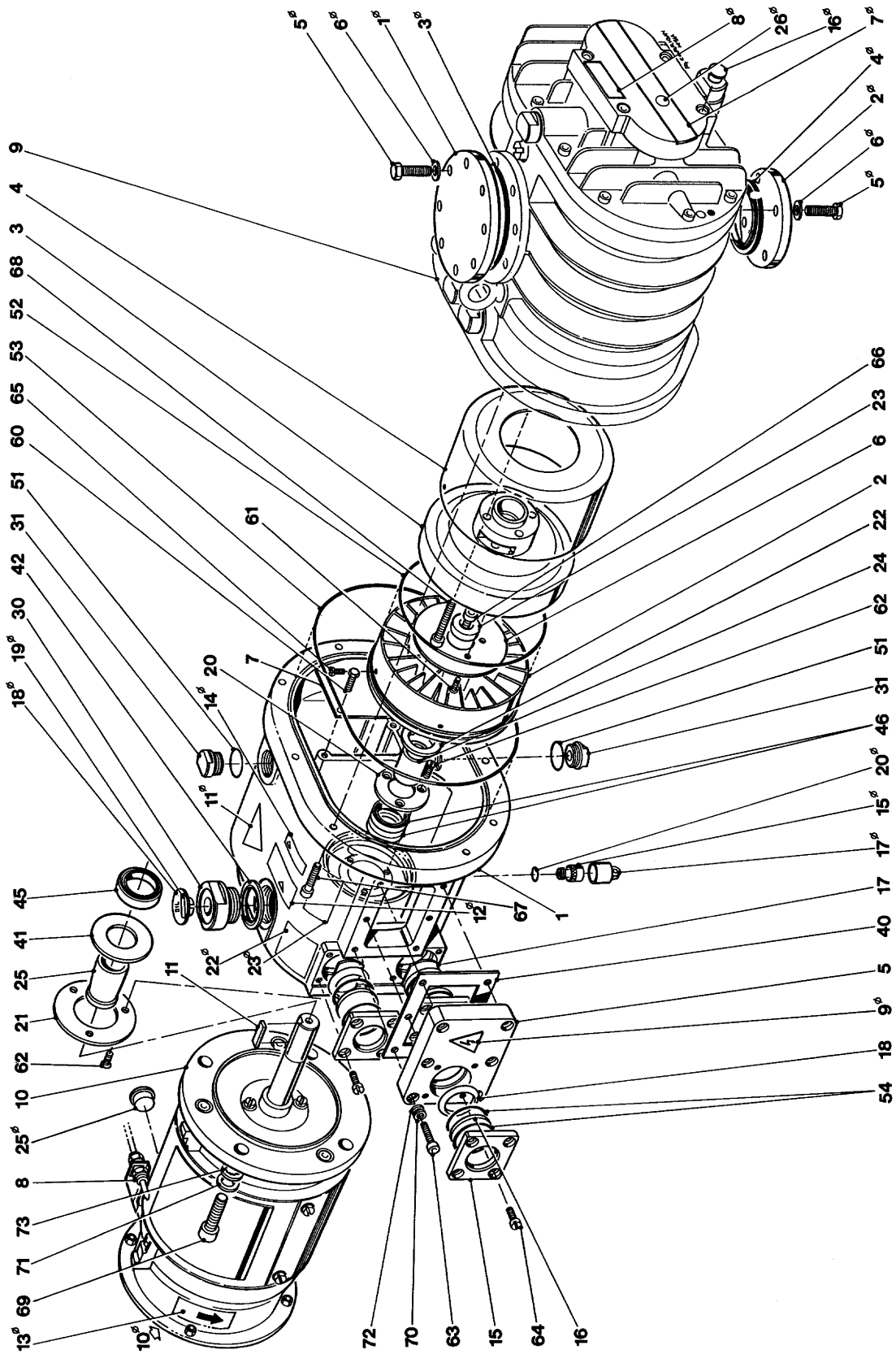


Figure 3 - QMB250F Drive assembly

Ref.	Description	Product Quantity	Item Number	Kit No.(s)
001	Coupling cover (ali)	1	A30151016	
002	Fluid coupling (driver) (ali)	1	A30271030	
003	Fluid coupling (driven) (ali)	1	A30271007	
004	Coupling enclosure (ali)	1	See Table 15	
005	Cover plate (m stl)	1	A30185011	
006	Coupling baffle (m stl)	1	A25970007	
007	Oil reservoir cover (m stl)	1	A25970008	
008	Water assembly	1	A30185002	
009	Roots pump size 250	1	A30130000	
010	Motor	1	See Table 15	
011	Key 20 x 6 x 6 (stl)	1	A24301024	
015	Sight glass bezel (nylon)	3	A25908100	
016	Sight glass (glass)	3		1,2
017	Sight glass reflector (st stl)	2	A25976001	
018	Compression ring (m stl)	3	A27820008	
020	Seal retainer	1	A25971002	
021	Retainer	1	A25971027	
022	Thrust ring	1	A26407002	
023	Thrust ring	1	A26407004	
024	Straight sleeve	1	A27801025	
025	Sleeve (hardened)	1	A27802035	
030	1" Gas plug (m stl)	1	A26002023	
031	1/2" BSP plug (m stl)	2	A26002021	
040	Gasket (Viton)	1		1,2
041	Seal ring (rubber)	1		2
042	1" BSP Dowty washer	1	H02104008	
045	Seal 30 x 42 x 7 (Viton)	1		2
046	Seal 25 x 35 x 7 (Viton)	2		1,2
051	'O' ring 19.5 i/d x 3 section	2		1,2
052	'O' ring 149.5 i/d x 3 section	1		1,2
053	'O' ring 229.5 i/d x 3 section (Viton)	1		1,2
054	'O' ring 1.234" i/d x 0.139" sect (Viton)	6		1,2
060	Hex head scr M5 x 10 (m stl)	3		
061	Csk head scr M4 x 10 (m stl)	4		
062	Csk head scr M5 x 10 (m stl)	6		
063	Soc head cap scr M5 x 20 (m stl)	6		
064	Pan head scr M5 x 10 (st stl)	12		
065	Pan head scr M4 x 8 (m stl)	6		
066	Soc head cap scr M6 x 20	1		
067	Soc head cap scr M6 x 25	9		
068	Soc head cap scr M6 x 40	4		
069	Soc head cap scr M10 x 25	4		
070	Std plain washer M5 (m stl)	6		

Table 3 - QMB250F Drive assembly parts list

Ref.	Description	Product Quantity	Item Number	Kit No.(s)
071	Std plain washer M10 (m stl)	4		
072	Std shakeproof washer M5 (m stl)	6		
073	Std shakeproof washer M10 (m stl)	4		
001 Ø	Blanking flange ISO 63	1	A52803027	
002 Ø	Blanking flange ISO 40	1	A52801027	
003 Ø	Trapped 'O' ring ISO 63	1	B27158170	
004 Ø	Co-seal ISO 40 flange pack	1	B27158457	
005 Ø	Std hex head scr M8 x 30 (st stl)	8	27525-073	
006 Ø	Std plain washer (m stl)	8	218980210	
007 Ø	Label (ali)	1	A20001226	
008 Ø	Label (plast)	1	A20001097	
009 Ø	Warning label (plast)	1	A20001200	
010 Ø	Warning label 'Electrical' (plast)	1	E20001063	
011 Ø	Warning label 'Hot surface' (plast)	1	A20001786	Pk of 25
012 Ø	Label 'Do not overfill' (plast)	1	A20001209	
013 Ø	Label 'Direction of rotation' (plast)	1	A20001162	
014 Ø	Label 'Fomblin only' (plast)	1	A20001082	
015 Ø	Indicator assembly (m stl)	1	A30151022	
016 Ø	'Heyco' plug (plast)	4	26011-012	
017 Ø	Modified cap (rubber)	1	A30151024	
018 Ø	Insert 'Oil filler plug' (plast)	1	A25908035	
019 Ø	Label 'Vented' (plast)	1	A20001195	
020 Ø	'O' ring size ref 0111-16 (Viton)	1		
021 Ø	Csk head screw M5 x 10 lg (m stl)	1	218032328	1
022 Ø	Label 'Shaft seal reservoir' (plast)	1	A20001240	
023 Ø	Label 'Coupling-cover filler plug' (plast)	1	A20001241	
025 Ø	Redcap plug type SP330-019 (plast)	2	H01503030	
026 Ø	Label - S-Mark 10mm dia	1	A20001720	Pk of 50

Table 3 - QMB250F Drive assembly parts list (continued)

5 QMBDD250 DRIVE ASSEMBLY PARTS LIST

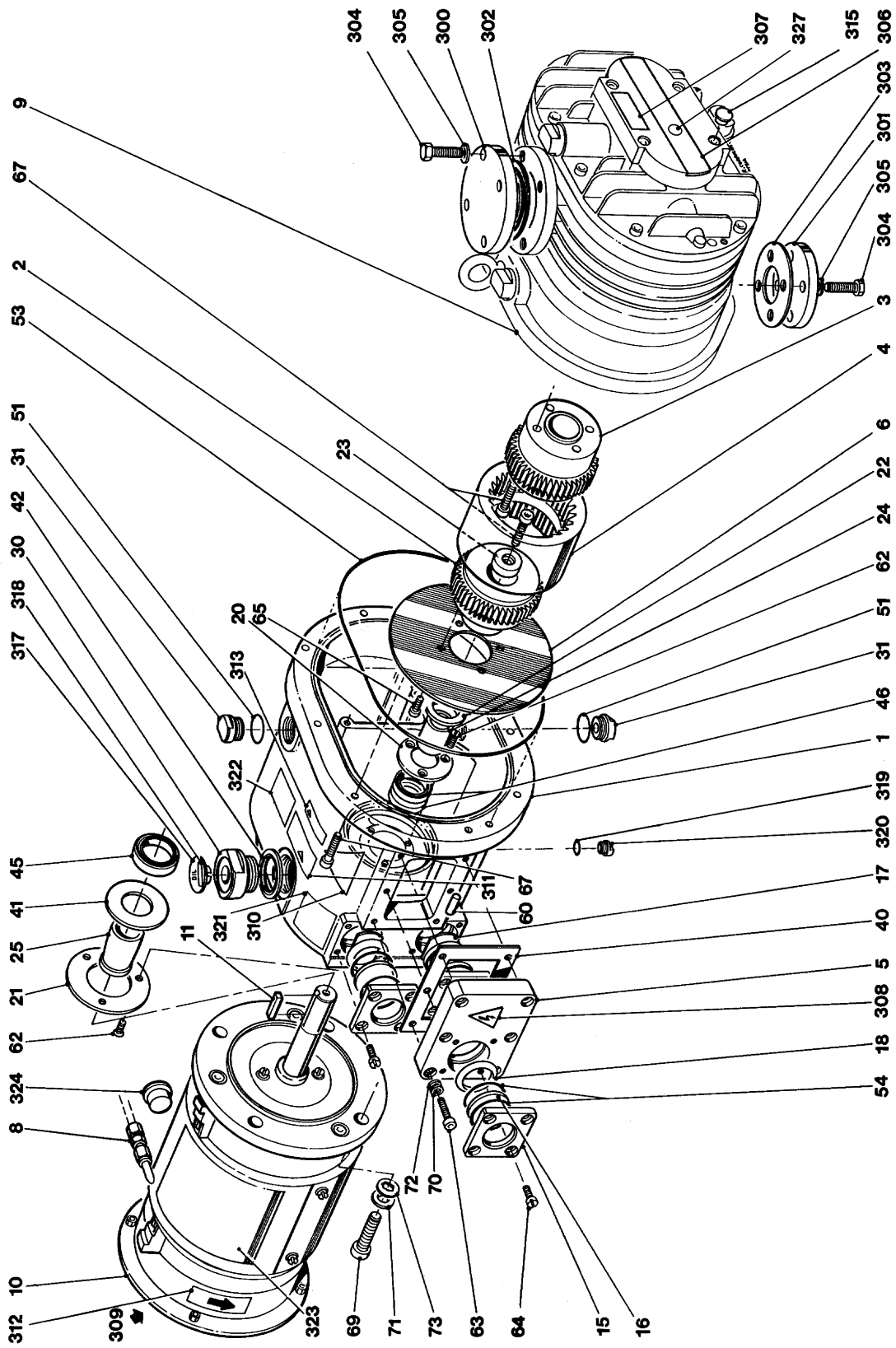


Figure 4 - QMBDD250 Drive assembly

AP

Ref.	Description	Product Quantity	Item Number	Kit No.(s)
001	Coupling cover (ali)	1	A30151016	
002	Modified coupling (driver) (ali)	1	A21071085	
003	Modified coupling (driven) (ali)	1	A21071086	
004	Coupling enclosure (polyamid)	1	A21071087	
005	Cover plate (m stl)	1	A25942012	
006	Oil splasher (m stl)	1	A30140002	
008	Water assembly	1	A30185040	
009	Pump module size 250	1	A30130000	
010	Motor	1	A07113072	
011	Key 20 x 6 x 6 (stl)	1	A24301005	
015	Sight glass bezel (nylon)	3	A25908100	
016	Sight glass (glass)	3		1,2
017	Sight glass reflector (st stl)	2	A25976001	
018	Compression ring (m stl)	3	A27820008	
020	Seal retainer	1	A25971002	
021	Retainer	1	A25971027	
022	Thrust ring	1	A26407002	
023	Thrust ring	1	A26407004	
024	Straight sleeve	1	A27807006	
025	Sleeve (hardened)	1	A27802029	
030	1" Gas plug (m stl)	1	A26002023	
031	1/2" BSP plug (m stl)	2	A26002021	
040	Gasket (Viton)	1		1,2
041	Seal ring (rubber)	1		2
042	1" BSP Dowty washer	1	H02104008	
045	Seal 30 x 42 x 7 (Viton)	1		2
046	Seal 25 x 35 x 7 (Viton)	2		1,2
051	'O' ring 19.5 i/d x 3 section (Viton)	2		1,2
053	'O' ring 229.5 i/d x 3 section (Viton)	1		1,2
054	'O' ring 1.234" i/d x 0.139" section (Viton)	6		1,2
060	Parallel dowel Ø 8 x 25 lg	2	212181041	
062	Csk head scr M5 x 10 (m stl)	6		
063	Soc head cap scr M5 x 20 (m stl)	6		
064	Pan head scr M5 x 10 (st stl)	12		
065	Soc head cap scr M5 x 8 (ht stl)	4		
067	Soc head cap scr M6 x 25 (ht stl)	14		
069	Soc head cap scr M10 x 25	4		
070	Std plain washer M5 (m stl)	6		
071	Std plain washer M10 (m stl)	4		
072	Std shakeproof washer M5 (m stl)	6		
073	Std shakeproof washer M10 (m stl)	4		
077	Loctite 222	A/R		
078	Loctite 518	A/R		

Table 4 - QMBDD250 Drive assembly parts list

Ref.	Description	Product Quantity	Item Number	Kit No.(s)
079	Loctite 641	A/R		
080	Fomblin RT15	A/R		
300	Blanking flange ISO 63	1	A52803027	
301	Blanking flange ISO 43	1	A52801027	
302	Co-seal ISO 63 flange pack	1	B27158063	
303	Co-seal ISO 43 flange pack	1	B27158457	
304	Std hex head scr M8 x 30 (m stl)	8		
305	Std plain washer (m stl)	8		
306	Label (ali)	1	A20001226	
307	Label (plast)	1	A20001097	
308	Warning label (plast)	1	A20001200	
309	Warning label 'Electrical' (plast)	1	E20001063	
310	Warning label 'Hot surface' (plast)	1	A20001786	Pk of 25
311	Label 'Do not overfill' (plast)	1	A20001209	
312	Label 'Direction of rotation' (plast)	1	A20001085	
313	Label 'Fomblin only' (plast)	1	A20001275	
315	'Heyco' plug (plast)	4	26011-012	
317	Insert 'Oil filler plug' (plast)	1	A25908035	
318	Label 'Vented' (plast)	1	A20001195	
319	'O' ring size ref 0111-16 (Viton)	1	H02122009	
320	1/8" BSP plug	1	A26002027	
321	Label 'Shaft seal reservoir' (plast)	1	A20001240	
322	Label 'Coupling-cover filler plug' (plast)	1	A20001241	
323	Label 'Motor rating' (plast)	1	A20001235	
324	Redcap plug type SP330-019 (plast)	2	H01503030	
327	Label S-Mark 10mm dia	1	A20001720	Pk of 50

Table 4 - QMBDD250 Drive assembly parts list (continued)

Ref.	Description	Product Quantity	Item Number	Kit No.(s)
001	Stator (c iron)	1	A30271040	
002	Headplate front (c iron)	1	A30271041	
003	Headplate rear (c iron)	1	A30271042	
004	End cover (c iron)	1	A30271009	
005	Oil thrower (right hand) (stl)	1	A30151005	
006	Oil thrower (left hand) (stl)	1	A30151006	
010	Evacuation adaptor	1	A30151011	
011	Inner ring special ir 20 x 25 x 20 (cr stl)	4		3
015	Ball bearing (52 x 20 x 15 Rubber seal)	2		3
016	Ball bearing (52 x 20 x 15 Steel shield))	2		3
018	Dust seal (felt)	4		3
019	Filter (felt)	11		3
020	Filter (felt)	2		3
021	Gears (stl)	1PR	A22903010	
028	Bearing retainer (stl)	1	A25971016	
029	1/4" BSPT Plug (stl)	1	H03517003	
030	1/8" BSP plug (stl)	4	A26002027	
031	1/2" BSP plug (stl)	2	A26002021	
032	Rotor (c iron)	2	A26401063	
034	Thrust ring (stl)1		A26407003	
036	Locking elements 'Ringfeder' (stl)	2PR	A26440001	
038	Baffle plate (stl)	1	A25970056	
039	Clamp ring (stl)	2	A27801001	
044	Thrust ring (stl)	2	A26407011	
045	Spacer (stl)	2	A30271010	
060	1/8" BSPT plug	2	H03517004	
066	Lipseal 35 x 25 x 8 (PTFE)	4		3
070	'O' ring 19.5 i/d X 3 section (Viton)	4		3
072	'O' ring size ref 0111-16 (Viton)	1	H02122009	
074	'O' ring 109.5 i/d x 3 section (Viton)	1		2
077	Shim 0.125mm thick (stl)	A/R		4
078	Shim 0.20mm thick (stl)	A/R		4
079	Shim 0.25mm thick (stl)	A/R		4
080	Shim 0.35mm thick (stl)	A/R		4
081	Shim 0.40mm thick (stl)	A/R		4
082	Shim 0.30mm thick (stl)	A/R		4
084	Spring pin (headed) 1/8" x 1/2"	2	27011-028	
087	Parallel dowel dia 10 x 60	2	211181764	20
088	Parallel dowel dia 10 x 24	2	211181762	20
091	Std ms csk head scr M6 x 12 (stl)	8		
094	Std ms pan head scr M4 x 8 (stl)	4		
096	Soc head cap scr M6 x 20	14		
098	Soc head cap scr M6 x 40	9		

Table 5 - EH/QMB/QMBDD500 Common module parts list

Ref.	Description	Product Quantity	Item Number	Kit No.(s)
099	Soc head cap scr M8 x 25	2		
100	Soc head cap scr M10 x 25 (stl)	2	218091452	
102	Loctite 518	A/R		
103	Loctite 641	A/R		
104	Loctite 577	A/R		
105	Loctite 222 'Screwlock'	A/R		
106	Pre load waved wshr (drg spec) (stl)	8	218984728	
108	Eyebolt M12 (drg spec) (stl)	2	218790005	
110	Fomblin PT15 (alt: Krytox 240ad)	A/R	H11350003	

Table 5 - EH/QMB/QMBDD500 Common module parts list (continued)

7 EH500 DRIVE ASSEMBLY PARTS LIST

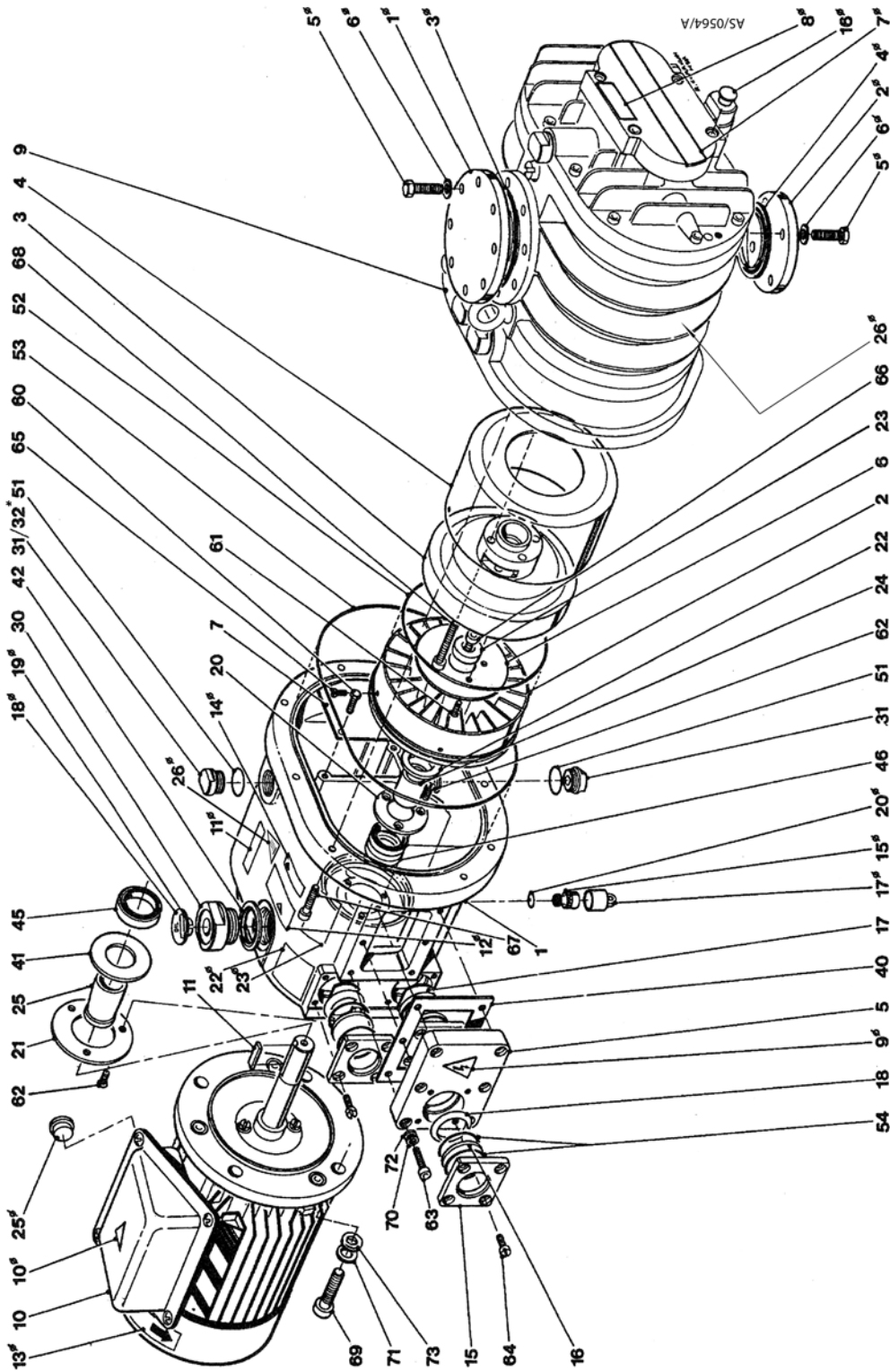


Figure 6 - EH500 Drive assembly

Ref.	Description	Product Quantity	Item Number	Kit No.(s)
001	Coupling cover (ali)	1	A30151016	
002	Fluid coupling (driver) (ali)	1	A30271030	
003	Fluid coupling (driven) (ali)	1	A30271007	
004	Coupling enclosure (ali)	1	See Table 15	
005	Cover plate (m stl)	1	A30185011	
006	Coupling baffle (m stl)	1	A25970007	
007	Oil reservoir cover (m stl)	1	A25970008	
009	Pump module assembly	1	A30230000	
010	Motor	1	See Table 15	
011	Key 20 x 6 x 3 (stl)	1	A24301024	
015	Sight glass bezel (nylon)	3	A25908100	
016	Sight glass (glass)	3		1,2
017	Sight glass reflector (st stl)	2	A25976001	
018	Compression ring (m stl)	3	A27820008	
020	Seal retainer	1	A25971002	
021	Retainer	1	A25971027	
022	Thrust ring	1	A26407002	
023	Thrust ring	1	A26407004	
024	Straight sleeve	1		2
025	Sleeve (hardened)	1		2
030	1" Gas plug with vent (m stl)	1	A26002041	
031	1/2" BSP plug (m stl)	2*	A26002021	
032	Filler plug purge adaptor EH500C/T3 only	1	A30555005	
040	Gasket (Viton)	1		2
041	Seal ring (rubber)	1		1,2
042	1" BSP Dowty washer	1	H02104008	
045	Seal 30 x 42 x 7 (Viton)	1		2
046	Seal 25 x 35 x 7 (Viton)	2		1,2
051	'O' ring 19.5 i/d x 3 section (Viton)	2		1,2
052	'O' ring 149.5 i/d x 3 section (Viton)	1		1,2
053	'O' ring 229.5 i/d x 3 section (Viton)	1		1,2
054	'O' ring 1.234" i/d x 0.139" sect (Viton)	4		1,2
060	Hex head scr M5 x 10 (m stl)	3		
061	Csk head scr M4 x 10 (m stl)	4		
062	Csk head scr M5 x 10 (m stl)	6		
063	Soc head cap scr M5 x 20 (m stl)	6		
064	Pan head scr M5 x 10 (st stl)	12		
065	Pan head scr M4 x 8 (m stl)	6		
066	Soc head cap scr M6 x 20	1		
067	Soc head cap scr M6 x 25	9		
068	Soc head cap scr M6 x 40	4		
069	Soc head cap scr M10 x 25	4		
070	Std plain washer M5 (m stl)	6		
071	Std plain washer M10 (m stl)	4		

Table 6 - EH500 Drive assembly parts list

Ref.	Description	Product Quantity	Item Number	Kit No.(s)
072	Std shake proof washer M5 (m stl)	6		
073	Std shakeproof washer M10 (m stl)	4		
001 Ø	Blanking flange ISO 63	1	A52803027	
002 Ø	Blanking flange ISO 100	1	A52908143	
003 Ø	Trapped ring ISO 63	1	B27153170	
004 Ø	Trapped ring ISO 100	1	B27153171	
005 Ø	Std hex head scr M8 x 30 (st stl)	8	27525-073	
006 Ø	Std plain washer (m stl)	8	218980210	
007 Ø	Label (ali)	1	A20001214	
008 Ø	Label (plast)	1	A20001097	
009 Ø	Warning label (plast)	1	A20001200	
010 Ø	Warning label 'Electrical' (plast)	1	E20001063	
011 Ø	Warning label 'Hot surface' (plast)	1	A20001148	
012 Ø	Label 'Do not overfill' (plast)	1	A20001209	
013 Ø	Label 'Direction of rotation' (plast)	1	A20001085	
014 Ø	Label 'Fomblin only' (plast)	1	A20001082	
015 Ø	Indicator assembly (m stl)	1	A30151022	
016 Ø	'Heyco' plug (plast)	4	26011-012	
017 Ø	Modified cap (rubber)	1	A30151024	
018 Ø	Insert 'Oil filler plug' (plast)	1	A25908035	
019 Ø	Label 'Vented' (plast)	1	A20001195	
020 Ø	'O' ring size ref 0111-16 (Viton)	1		1
021 Ø	Csk head screw M5 x 10 lg (m stl)	1	218032328	
022 Ø	Label 'Shaft seal reservoir' (plast)	1	A20001240	
023 Ø	Label 'Coupling-cover filler plug' label (plast)	1	A20001241	
025 Ø	Redcap plug SP330-19 (plast)	2	H01503030	
026 Ø	Warning label 'Hot surface'	3	A20001286	Pk of 25

Table 6 - EH500 Drive assembly parts list (continued)

* Only 1 used on EH500C/T3, the other one is replaced with a filler plug with a purge adaptor ref 032.

8 QMB500F DRIVE ASSEMBLY PARTS LIST

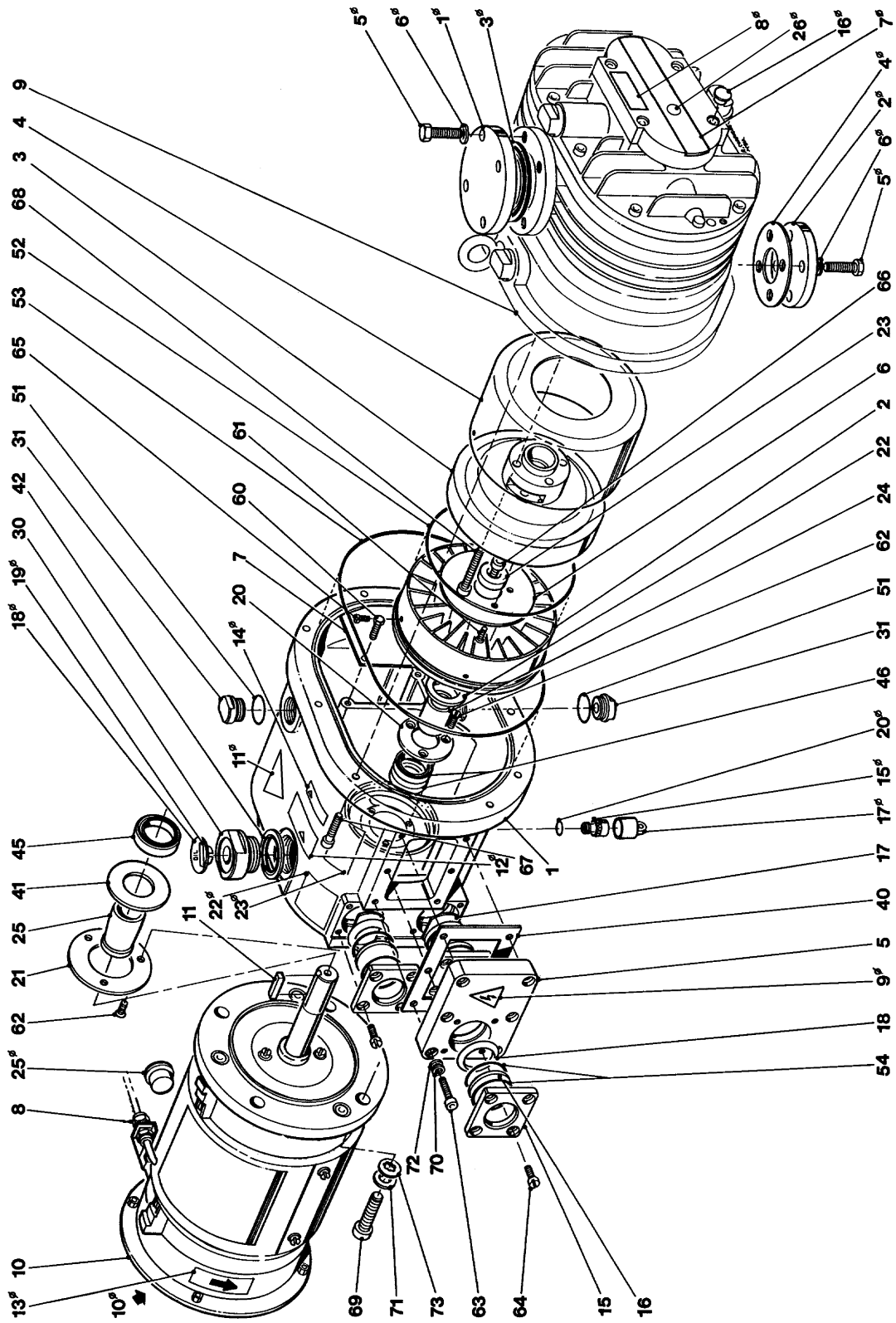


Figure 7 - QMB500F Drive assembly

Ref.	Description	Product Quantity	Item Number	Kit No.(s)
001	Coupling cover (ali)	1	A30151016	
002	Fluid coupling (driver) (ali)	1	A30271030	
003	Fluid coupling (driven) (ali)	1	A30271007	
004	Coupling enclosure (ali)	1	See Table 15	
005	Cover plate (m stl)	1	A30185011	
006	Coupling baffle (m stl)	1	A25970007	
007	Oil reservoir cover (m stl)	1	A25970008	
008	Water assembly	1	A30185002	
009	Roots pump size 500	1	A30230000	
010	Drive	1	See Table 15	
011	Key 20 x 6 x 3 (stl)	1	A24301024	
015	Sight glass bezel (nylon)	3	A25908100	
016	Sight glass (glass)	3		1,2
017	Sight glass reflector (st stl)	2	A25976001	
018	Compression ring (m stl)	3	A27820008	
020	Seal retainer	1	A25971002	
021	Retainer	1	A25971027	
022	Thrust ring	1	A26407002	
023	Thrust ring	1	A26407004	
024	Straight sleeve	1		2
025	Sleeve (hardened)	1		2
030	1" gas plug (m stl)	1	A26002023	
031	1/2" BSP plug (m stl)	2	A26002021	
040	Gasket (Viton)	1		1,2
041	Seal ring (rubber)	1		2
042	1" BSP Dowty washer	1		
045	Seal 30 x 42 x 7 (Viton)	1		2
046	Seal 25 x 35 x 7 (Viton)	2		1,2
051	'O' ring 19.5 i/d x 3 section (Viton)	2		1,2
052	'O' ring 149.5 i/d x 3 section (Viton)	1		1,2
053	'O' ring 229.5 l/d x 3 section (Viton)	1		1,2
054	'O' ring 1.234" i/d x 0.139" sect (Viton)	6		1,2
060	Hex head scr M5 x 10 (m stl)	3		
061	Csk head scr M4 x 10 (m stl)	4		
062	Csk head scr M5 x 10 (m stl)	6		
063	Soc head cap scr M5 x 20 (m stl)	6		
064	Pan head scr M5 x 10 (st stl)	12		
065	Pan head scr M4 x 8 (m stl)	6		
066	Soc head cap scr M6 x 20	1		
067	Soc head cap scr M6 x 25	9		
068	Soc head cap scr M6 x 40	4		
069	Soc head cap scr M10 x 25	4		
070	Std plain washer M5 (m stl)	4		

Table 7 - QMB500F Drive assembly parts list

Ref.	Description	Product Quantity	Item Number	Kit No.(s)
071	Std plain washer M10 (m stl)	6		
072	Std shakeproof washer M5 (m stl)	4		
073	Std shakeproof washer M10 (m stl)	1		
001 Ø	Blanking flange ISO 100	1	A52908143	
002 Ø	Blanking flange ISO 63	1	A52803027	
003 Ø	Trapped 'O' ring ISO 100	1	B27158171	
004 Ø	Trapped 'O' ring ISO 63	12	B27158170	
005 Ø	Std hex head scr M8 x 30 (st stl)	12	27525-073	
006 Ø	Std plain washer (m stl)	1	218980210	
007 Ø	Label (ali)	1	A20001227	
008 Ø	Label (plast)	1	A20001097	
009 Ø	Warning label (plast)	1	A20001200	
010 Ø	Warning label 'Electrical' (plast)	1	E20001063	
011 Ø	Warning label 'Hot surface' (plast)	1	A20001286	Pk of 25
012 Ø	Label 'Do not overfill' (plast)	1	A20001209	
013 Ø	Label 'Direction of rotation' (plast)	1	A20001162	
014 Ø	Label 'Fomblin only' (plast)	1	A20001275	
015 Ø	Indicator assembly (m stl)	4	A30151022	
016 Ø	'Heyco' plug (plast)	1	26011-012	
017 Ø	Modified cap (rubber)	1	A30151024	
018 Ø	Insert 'Oil filler plug' (plast)	1	A25908035	
019 Ø	Label 'Vented' (plast)	1	A20001195	
020 Ø	'O' ring size ref 0111-16 (Viton)	1		1
021 Ø	Csk head screw M5 x 10 lg (m stl)	1	218032328	
022 Ø	Label 'Shaft seal reservoir' (plast)	1	A20001240	
023 Ø	Label 'Coupling-cover filler plug" (plast)	2	A20001241	
025 Ø	Redcap plug SP330-19 (plast)	1	H01503030	
026 Ø	Label S-Mark 10mm dia		A20001720	Pk of 50

Table 7 - QMB500F Drive assembly parts list (continued)

9 QMBDD500 DRIVE ASSEMBLY PARTS LIST

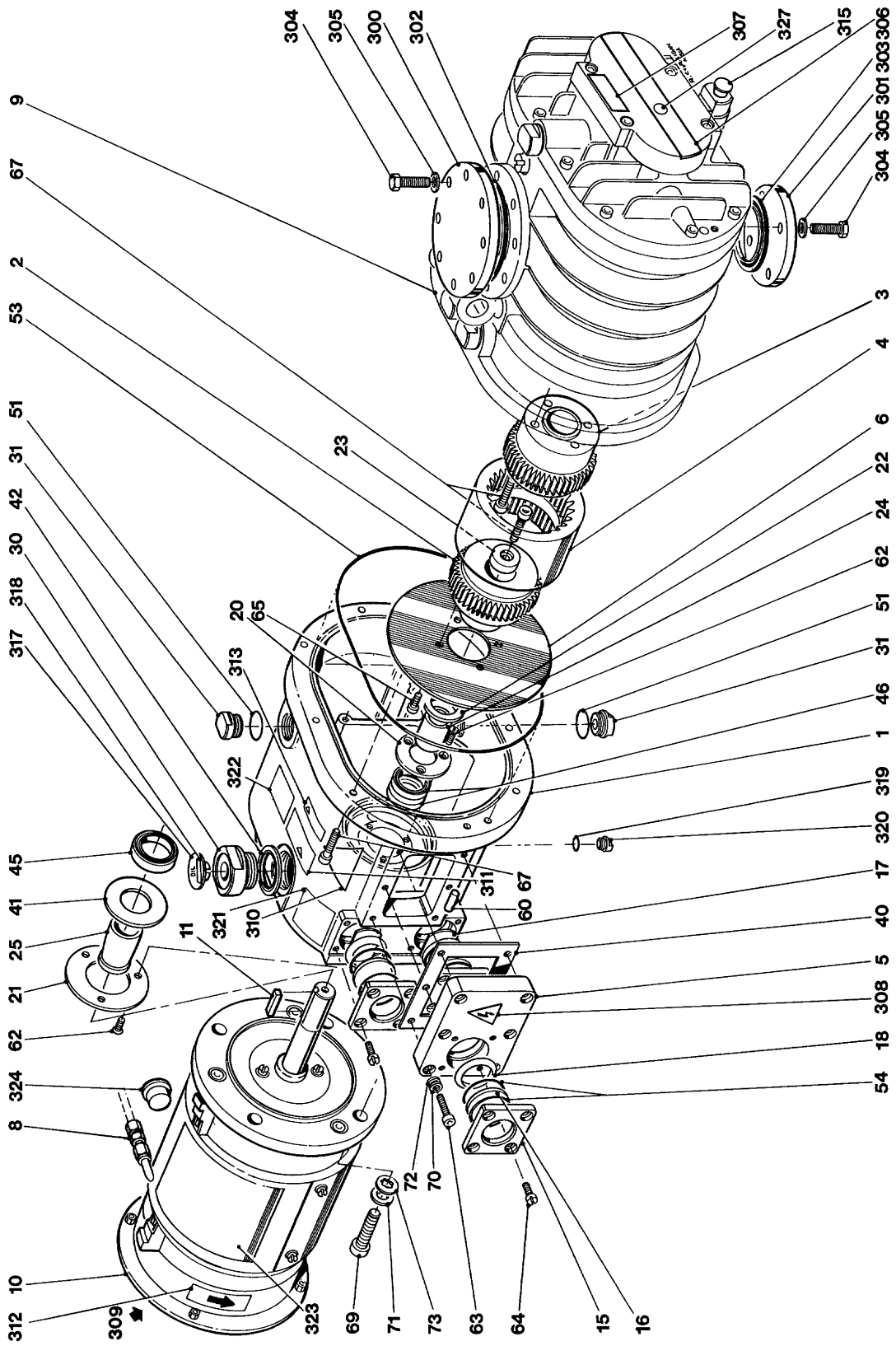


Figure 8 - QMBDD500 Drive assembly

Ref.	Description	Product Quantity	Item Number	Kit No.(s)
001	Coupling cover (ali)	1	A30151016	
002	Modified coupling (driver) (ali)	1	A21071085	
003	Modified coupling (driven) (ali)	1	A21071086	
004	Coupling enclosure (polyamid)	1	A21071087	
005	Cover plate (m stl)	1	A25942012	
006	Oil splasher (m stl)	1	A30140002	
008	Water assembly	1	A30185040	
009	Roots pump size 500	1	A30230000	
010	Motor	1	A07113072	
011	Key 20 x 6 x 6 (stl)	1	A24301005	
015	Sight glass bezel (nylon)	3	A25908100	
016	Sight glass (glass)	3		1,2
017	Sight glass reflector (st stl)	2	A25976001	
018	Compression ring (m stl)	3	A27820008	
020	Seal retainer	1	A25971002	
021	Retainer	1	A25971027	
022	Thrust ring	1	A26407002	
023	Thrust ring	1	A26407004	
024	Straight sleeve	1	A27801025	
025	Sleeve (hardened)	1	A27802035	
030	1" Gas plug (m stl)	1	A26002023	
031	1/2" BSP plug (m stl)	2	A26002021	
040	Gasket (Viton)	1		1,2
041	Seal ring (rubber)	1		2
042	1" BSP Dowty washer	1	H02104008	
045	Seal 30 x 42 x 7 (Viton)	1		2
046	Seal 25 x 35 x 7 (Viton)	2		1,2
051	'O' ring 19.5 i/d x 3 section (Viton)	2		1,2
053	'O' ring 229.5 i/d x 3 section (Viton)	1		1,2
054	'O' ring 1.234" i/d x 0.139" section (Viton)	6		1,2
060	Parallel dowel Ø 8 x 25 lg	2	212181041	
062	Csk head scr M5 x 10 (m stl)	6		
063	Soc head cap scr M5 x 20 (m stl)	6		
064	Pan head scr M5 x 10 (st stl)	12		
065	Soc head cap scr M5 x 8 (ht stl)	4		
067	Soc head cap scr M6 x 25 (ht stl)	14		
069	Soc head cap scr M10 x 25	4		
070	Std plain washer M5 (m stl)	6		
071	Std plain washer M10 (m stl)	4		
072	Std shakeproof washer M5 (m stl)	6		
073	Std shakeproof washer M10 (m stl)	4		
077	Loctite 222	A/R		
078	Loctite 518	A/R		

Table 8 - QMBDD500 Drive assembly parts list

Ref.	Description	Product Quantity	Item Number	Kit No.(s)
079	Loctite 641	A/R		
080	Fomblin RT15	A/R		
300	Blanking flange ISO 100	1	A52908143	
301	Blanking flange ISO 63	1	A52803027	
302	Co-seal ISO 100 flange pack	1	B27158171	
303	Co-seal ISO 63 flange pack	1	B27158170	
304	Std hex head scr M8 x 30 (st stl)	8		
305	Std plain washer (m stl)	8		
306	Label (ali)	1	A20001214	
307	Label (plast)	1	A20001097	
308	Warning label (plast)	1	A20001200	
309	Warning label 'Electrical' (plast)	1	E20001063	
310	Warning label 'Hot surface' (plast)	1	A20001286	Pk of 25
311	Label 'Do not overfill' (plast)	1	A20001209	
312	Label 'Direction of rotation' (plast)	1	A20001085	
313	Label 'Fomblin only' (plast)	1	A20001275	
315	'Heyco' plug (plast)	4	26011-012	
317	Insert 'Oil filler plug' (plast)	1	A25908035	
318	Label 'Vented' (plast)	1	A20001195	
319	'O' ring size ref 0111-16 (Viton)	1		1
320	Csk head scr M5 x 10 lg (m stl)	1		
321	Label 'Shaft seal reservoir' (plast)	1	A20001240	
322	Label 'Coupling-cover filler plug' (plast)	1	A20001241	
323	1/8" BSP plug	1	A26002027	
324	Redcap plug type SP330-019 (plast)	2	H01503030	
325	Label 'Motor rating' (plast)	1	A20001235	
327	Label S-Mark 10mm dia	1	A20001720	Pk of 50

Table 8 - QMBDD500 Drive assembly parts list (continued)

10 EH/QMB1200 COMMON MODULE PARTS LIST

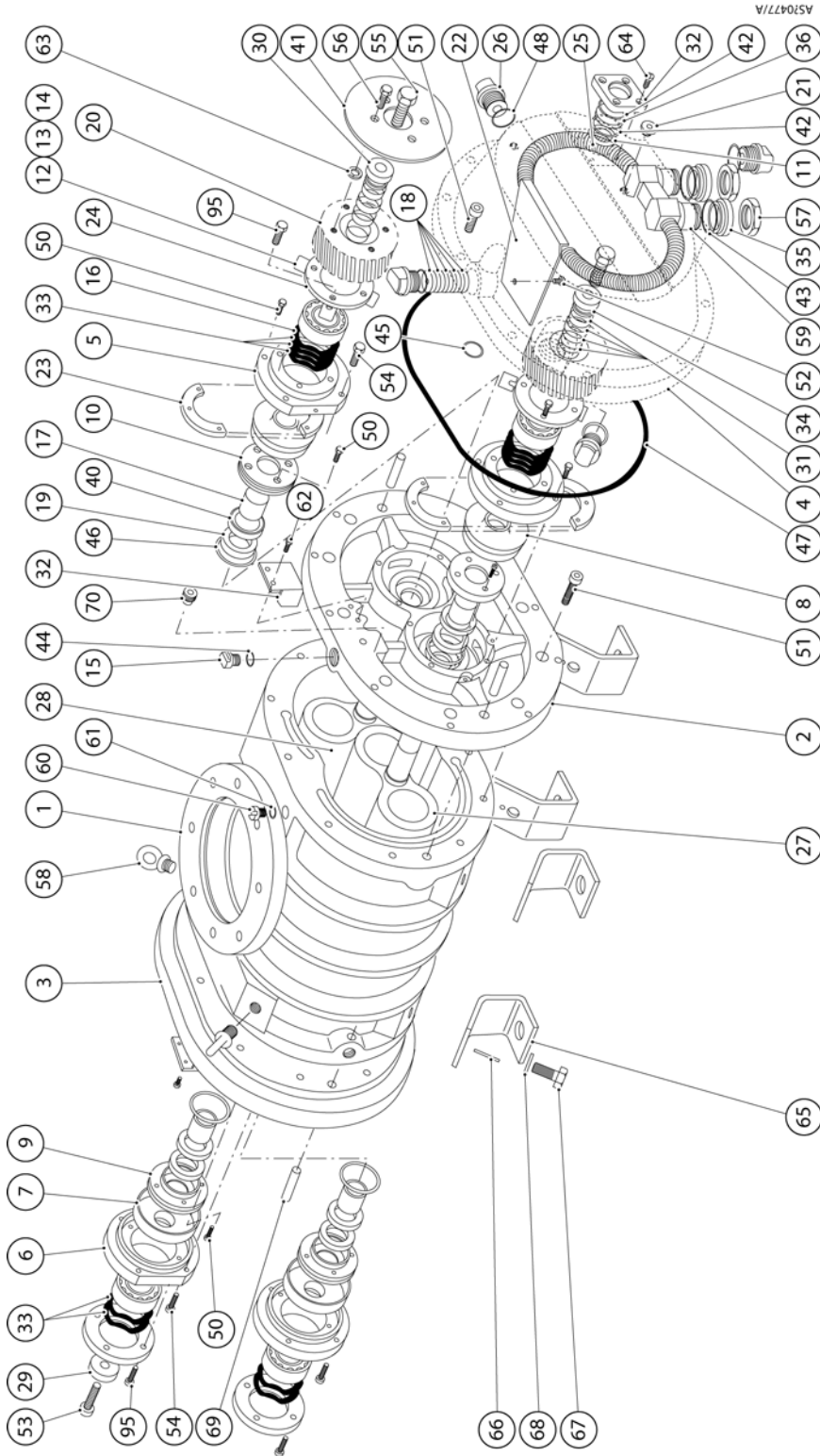


Figure 9 - EH/QMB1200 Common module

Ref.	Description	Product Quantity	Item Number	Kit No.(s)
001	Stator (c iron)	1	A30570001	
002	Headplate gear end (c iron)	1	A30551002	
003	Headplate coupling end (c iron)	1	A30551003	
004	Gear cover (c iron)	1	A30570004	
005	Bearing carrier - gear end (stl)	2	A30551016	
006	Bearing carrier - coupling end (stl)	2	A30551017	
007	Throw ring coupling end (stl)	2	A30551018	
008	Throw ring gear end (stl)	2	A30551019	
009	Seal carriers - left hand (stl)	2	A30551020	
010	Seal carriers - right hand (stl)	2	A30551021	
011	Compression ring (stl)	1	A27820008	
012	Shim 0.05mm thick (stl)	A/R	A27165001	
013	Shim 0.10mm thick (stl)	A/R	A27165002	
014	Shim 0.25mm thick (stl)		A27165003	
015	1/4" BSP plug (stl)	A/R	A26002019	
016	Ball bearing (62 x 25 x 17 Rubber seal)	4		7
017	Inner ring - ir 25 X 30 X 20 (stl)	4		7
018	Filter disc (felt)	A/R		7
019	Dust seal (felt)	4		7
020	Gears (stl)	1pr	A22903005	
021	'Heyco' plug (plast)	3	A25908024	
022	Gear cover baffle (stl)	1	A25970062	
023	Retainer (2 halves) (stl)	2	A25971006	
024	Bearing retainer (stl)	4	A25971007	
025	Sight glass reflector (st stl)	1	A25976001	
026	1/2" BSP plug (stl)	4	A26002021	
027	Rotor (driver) (c iron)	1	A26401018	
028	Rotor (driven) (c iron)	1	A26401019	
029	Thrust ring (stl)	1	A26407005	
030	Thrust ring (stl)	2	A26407007	
031	Locking element 'Ringfeder' (stl)	4prs	A26440002	
032	Evacuation baffle (stl)	2	A25970021	
033	Disc spring K6007 61.5 x 40.5 x 0.7	12	218985236	
034	Clamp ring (stl)	2	A27801002	
035	Cooling coil spacer (stl)	2	A27802003	
036	Sight glass (glass)	1		5,6
037	Sight glass bezel (plast)	1	A25908100	
040	Lipseal 42 x 30 x 8 (PTFE)	4		7
041	Oil splasher (stl)	1	A25970018	
042	'O' ring 1.234" i/d x .139" sect (Viton)	2		5,6
043	'O' ring 1.046" i/d x .139" sect (Viton)	2		5,6
044	'O' ring 11.6 i/d x 2.4 sect (Viton)	1		5,6
045	'O' ring 1/2" i/d x 0.103" sect (Viton)	1		5,6

Table 9 - EH/QMB1200 Common module parts list

Ref.	Description	Product Quantity	Item Number	Kit No.(s)
046	'O' ring 44.6 i/d x 2.4 sect (Viton)	4		7
047	'O' ring 299.3 i/d x 5.7 sect (Viton)	1		5,6
048	'O' ring 19.5 i/d x 3.0 sect (Viton)	4		5,6
050	Std cap hd scr M4 x 10 lg	28		
051	Soc hd cap scr M8 x 25 lg	30		
052	Std ms hex hd scr M5 x 10 lg	1		
053	Std ms hex hd scr M8 x 30 lg	1		
054	Std ms hex hd scr M6 x 20 lg	32		
055	Std ms hex hd scr M12 x 30 lg	2		
056	Std ms hex hd scr M8 x 12 lg	4		
057	Hex locknut 3/4" BSP	2		
058	Eyebolt M12 (to drg spec) (stl)	2	218790005	
059	Gear cover cooling coil (stl)	1	A30551011	
060	1/8" BSP plug (stl)	1	A26002027	
061	'O' ring ref 0111-16 (Viton)	1	H02122009	
062	Std hex hd scr M4 x 6 (stl)	4		
063	Std plain washer M8 (ms ni)	4		
064	Std pan hd scr M5 x 10 lg (st stl)	4		
065	Foot (stl)	4	A25972008	
066	Roll pin	4	212170159	
067	Std stl hex hd scr M12 x 25 lg	4		
068	Shakeproof washer M12	4		
069	Parallel dowel dia 10 x 36	4	2111811763	20
070	Stl dog pt scr M16 x 12 lg	2		
073	Silcoset	A/R		
074	Fomblin RT15 (alt: Krytox 240ad)	A/R		
075	Loctite 222 'Screwlock'	A/R		
076	Loctite 518	A/R		
077	Loctite 641	A/R		

Table 9 - EH/QMB1200 Common module parts list (continued)

11 EH1200 DRIVE ASSEMBLY PARTS LIST

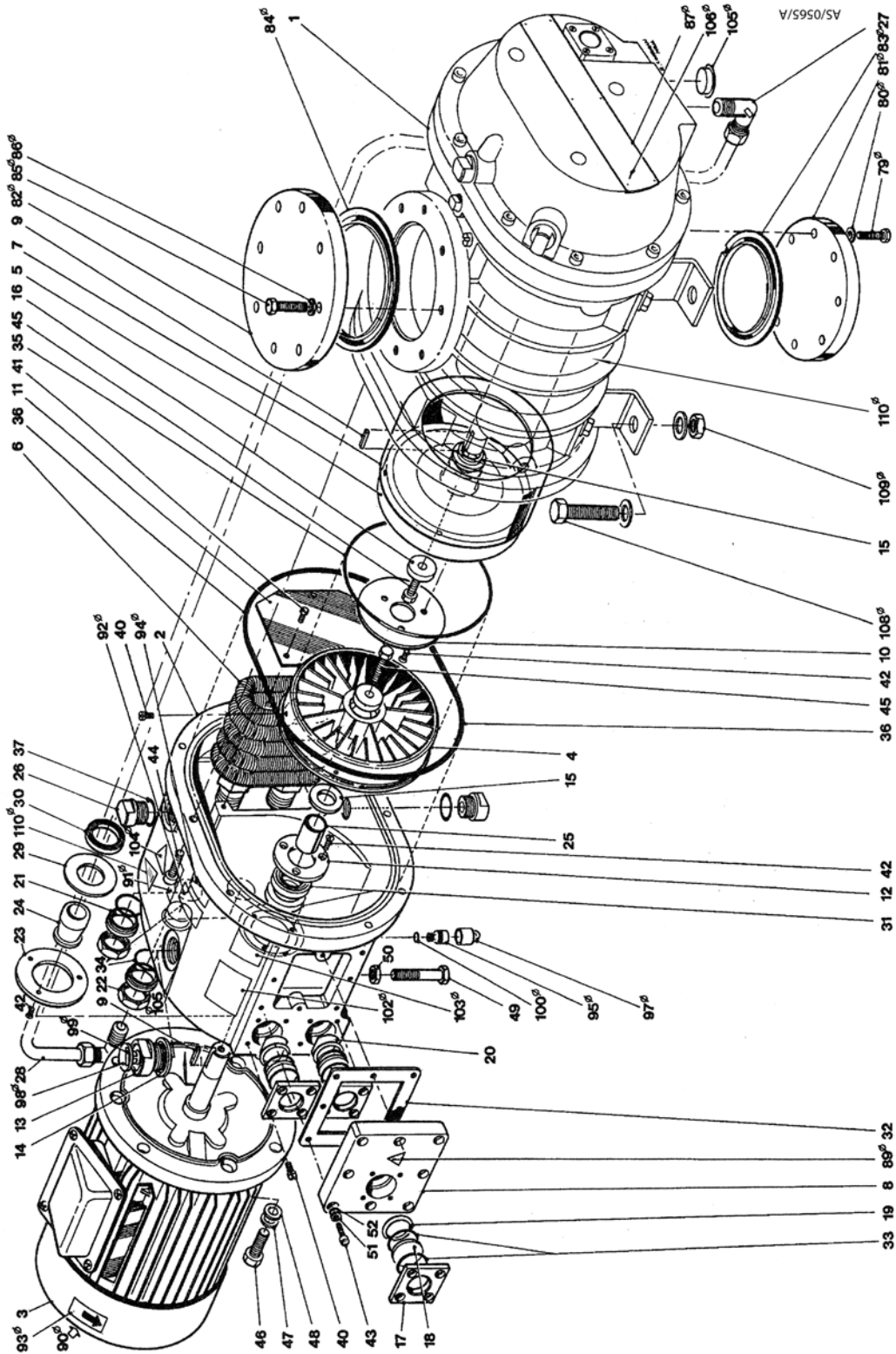


Figure 10 - EH1200 Drive assembly

Ref.	Description	Product Quantity	Item Number	Kit No.(s)
001	EH1200 pump module	1	A30530000	
002	Coupling cover	1	A30551028	
003	Drive	1	See Table 15	
004	Fluid coupling (driver) (ali)	1	A30551030	
005	Fluid coupling (driven) (ali)	1	A30551031	
006	Coupling cover cooling coil assy (copper)	1	A30551010	
007	Coupling enclosure (ali)	1	See Table 15	
008	Cover plate (stl)	1	A25942016	
009	Key 8 x 7 x 25 lg (stl)	1	A24301025	
010	Coupling baffle (stl)	1	A25970010	
011	Oil reservoir cover (stl)	1	A25970011	
012	Seal retainer (stl)	1	A25971005	
013	1" Gas plug with vent (stl)	1	A26002041	
014	1" BSP Dowty washer(rubber)	1	H02104008	
015	Thrust ring (stl)	2	A26407006	
016	Thrust ring (stl)	2	A26407005	
017	Sight glass bezel (plast)	3	A25908100	
018	Sight glass (glass)	3		5,6
019	Compression ring (m stl)	3	A27820008	
020	Sight glass reflector (st stl)	2	A25976001	
021	Cooling coil spacer (stl)	2	A27802003	
022	3/4" BSP hex locknut	2	A25971028	
023	Seal retainer (stl)	1	A27802036	
024	Sleeve (hardened)	1	A27802031	
025	Straight sleeve	1		
026	1/2" BSP plug (stl) - EH1200IND & EH1200	1	A26002021	
	Filler plug purge adaptor - EH1200C & T160	1	A30555005	
027	Male stud elbow 12mm o/d x 3/8" BSPT (brass)	2	H03505111	
028	Water pipe (Copper)	1	A30585044	
029	Seal ring (rubber)	1		6
030	Seal 35 x 47 x 7 (Viton)	1		6
031	Seal 30 x 42 x 7 (Viton)	2		5,6
032	Gasket (rubber)	1		5,6
033	'O' ring 1.234" i/d x 0.139" section (Viton)	6		5,6
034	'O' ring 1.046 i/d x 0.139 section (Viton)	2		5,6
035	'O' ring 174.5 i/d x 3.0 section (Viton)	1		5,6
036	'O' ring 299.3 i/d x 5.7 section (Viton)	1		5,6
037	'O' ring 19.5 i/d x 3.0 section (Viton)	2	23714-034	
040	Std pan hd scr M5 x 10 (st stl)	18		
041	Std hex hd scr M5 x 10 (m stl)	4		
042	Std csk hd scr M5 x 10 (m stl)	9		

Table 10 - EH1200 Drive assembly parts list

Ref.	Description	Product Quantity	Item Number	Kit No.(s)
043	Std ht cap hd scr M5 x 20 (m stl)	9		
044	Std ht cap hd screw M8 x 25 (stl)	10		
045	Std hex hd screw M8 x 30 (st stl)	2		
046	Std hex hd screw M12 x 30 (ms ni)	4		
047	Std plain washer M12 (ms ni)	4		
048	Std shake proof washer M12	4		
049	Std ms hex hd bolt M12 x 60 lg	1		
050	Std ms hex thin nut M12	1	21891412	
051	Std plain washer M5	8		
052	Std shakeproof washer M5	8		
056	Loctite 641	A/R	11753-039	
057	Loctite 222 'Screwlock'	A/R		
058	Loctite 518	A/R		
059	Fomblin PT15 (alt: Krytox 240ad)	A/R		
079 Ø	Std hex hd screw M8 x 30 (st stl)	8		
080 Ø	Std plain washer M8 (ms ni)	8		
081 Ø	Blanking flange ISO 100	1	A52908143	
082 Ø	Blanking flange ISO 160	1	A52908144	
083 Ø	Trapped 'O' ring ISO 100	1	B27158171	
084 Ø	Trapped 'O' ring ISO 160	1	B27158172	
085 Ø	Std hex head scr M10 x 35 (ms ni)	8		
086 Ø	Std plain washer M10 (ms ni)	8		
087 Ø	Label (ali)	1	A20001218	
089 Ø	Warning label (plast)	1	A20001200	
090 Ø	Warning label 'Electrical' (plast)	1	E20001063	
091 Ø	Warning label 'Hot surface' (plast)	1	A20001148	
092 Ø	Label 'Do not overfill' (plast)	1	A20001209	
093 Ø	Label 'Direction of rotation' (plast)	1	A20001085	
094 Ø	Label 'Fomblin only' (plast)	1	A20001275	
095 Ø	Indicator assembly oil (m stl)	1	A30151022	
097 Ø	Modified cap (rubber)	1	A30151024	
098 Ø	Insert oil filler plug (plast)	1	A25908035	
099 Ø	Label 'Vented' (plast)	1	A20001195	
100 Ø	'O' ring size ref 0111-16 (Viton)	1	H02122009	
102 Ø	Shaft seal reservoir label (plast)	1	A20001240	
103 Ø	Label 'Coupling-cover filler plug' (plast)	1	A20001241	
104 Ø	Warning label 'Lifting' (plast)	1	A20001171	
105 Ø	Redcap plug AQ330-12 (plast)	2	H01503021	
106 Ø	Rivet (ali)	6	211430301	
108 Ø	Std hex head scr M16 x 60 lg (stl)	4		
109 Ø	Std hex nut M16	4		
110 Ø	Warning label 'Hot surface'	3	A20001286	

Table 10 - EH1200 Drive assembly parts list (continued)

12 QMB1200 DRIVE ASSEMBLY PARTS LIST

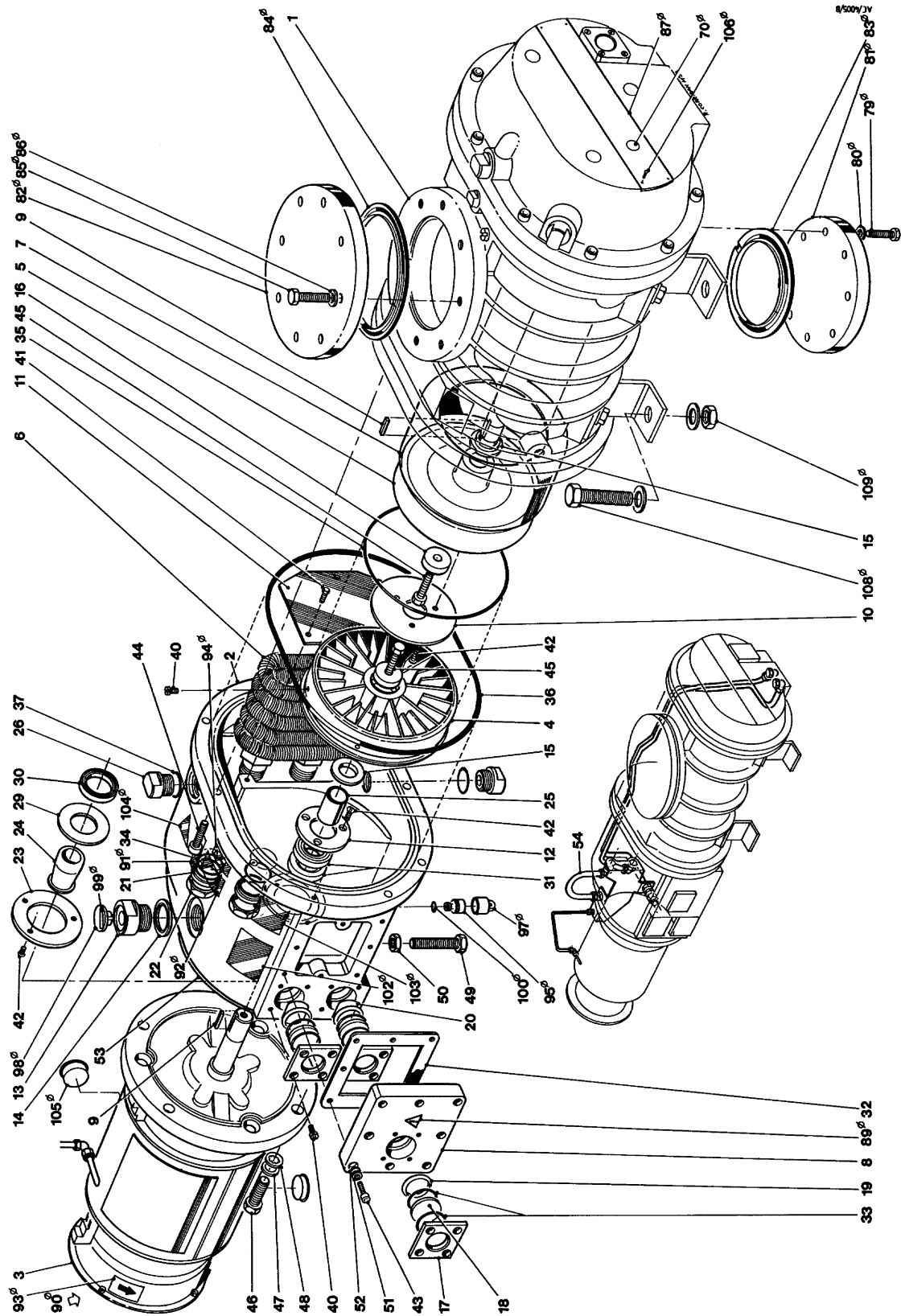


Figure 11 - QMB1200 Drive assembly

Ref.	Description	Product Quantity	Item Number	Kit No.(s)
001	EH1200 pump module		A30530000	
002	Coupling cover (c iron)	1	A30551028	
003	Drive 4hp	1	See Table 15	
004	Fluid coupling (driver) (ali)	1	A30551006	
005	Fluid coupling (driven) (ali)	1	A30551007	
006	Coupling cover cooling coil assy (copper)	1	A30551010	
007	Coupling enclosure (ali)	1	See Table 15	
008	Cover plate (stl)	1	A25942016	
009	Half key (stl)	2	A24301025	
010	Coupling baffle (stl)	1	A25970010	
011	Oil reservoir cover (stl)	1	A25970011	
012	Seal retainer (stl)	1	A25971005	
013	1" Gas plug with vent (stl)	1	A26002041	
014	1" BSP Dowty washer (rubber)	1	H02104008	
015	Thrust ring (stl)	2	A26407006	
016	Thrust ring (stl)	2	A26407005	
017	Sight glass bezel (plast)	3	A25908100	
018	Sight glass (glass)	3		5,6
019	Compression ring (stl)	3	A27820008	
020	Sight glass reflector (stl)	2	A25976001	
021	Cooling coil spacer (stl)	2	A27802003	
022	3/4" BSP hex locknut (stl)	2	M01500011	
023	Seal retainer (stl)	1	A25971028	
024	Sleeve (hardened) (stl)	1	A27802036	
025	Straight sleeve (stl)	1	A27802031	
026	1/2" BSP plug (stl)	2	A26002021	
029	Seal ring (rubber)	1		6
030	Seal 35 x 47 x 7 (Viton)	1		6
031	Seal 30 x 42 x 7 (Viton)	2		5,6
032	Gasket (rubber)	1		5,6
033	'O' ring 1.234" i/d x 0.139" section (Viton)	6		5,6
034	'O' ring 1.046" i/d x 0.139" section (Viton)	2		5,6
035	'O' ring 174.5 i/d x 3.0 section (Viton)	1		5,6
036	'O' ring 299.3 i/d x 5.7 section (Viton)	1		5,6
037	'O' ring 19.5 i/d x 3.0 section (Viton)	2	23714-034	
040	Std pan hd screw M5 x 10 (st stl)	18		
041	Std hex hd screw M5 x 10 (ms ni)	4		
042	Std csk hd scr M5 x 10 (ms ni)	9		
043	Std ht cap hd scr M5 x 20 (stl)	8		
044	Std ht cap hd scr M8 x 25 (stl)	10		
045	Std hex hd screw M8 x 30 (st stl)	2		
046	Std hex hd screw M12 x 30 (ms ni)	4		
047	Std plain washer M12 (ms ni)	4		

Table 11 - QMB1200 Drive assembly parts list

Ref.	Description	Product Quantity	Item Number	Kit No.(s)
048	Std shakeproof washer M12 (ms ni)	4		
049	Std ms hex hd bolt M12 x 60 lg (ms ni)	1		
050	Std ms hex thin nut M12 (ms ni)	1	21891412	
051	Std plain washer M5	8		
052	Std shakeproof washer M5	8		
053	Gasket	1	A27160004	
054	Water system	1	A30585040	
056	Loctite 641	A/R	11753-039	
057	Loctite 222 'Screwlock'	A/R		
058	Loctite 518	A/R		
059	Fomblin RT15 (alt: Krytox 240 ad)	A/R		
070 Ø	Label S-Mark 10mm	1	A20001720	Pk of 50
079 Ø	Std hex hd screw M8 x 30 (stl)	8		
080 Ø	Std plain washer M8 (ms ni)	8		
081 Ø	Blanking flange ISO 100	1	A52908143	
082 Ø	Blanking flange ISO 160	1	A52908144	
083 Ø	Trapped 'O' ring ISO 100	1	B27158171	
084 Ø	Trapped 'O' ring ISO 160	1	B27158172	
085 Ø	Std hex head scr M10 x 35 (ms ni)	8		
086 Ø	Std plain washer M10 (ms ni)	8		
087 Ø	Label (ali)	1	A20001218	
089 Ø	Warning label (plast)	1	A20001200	
090 Ø	Warning label 'Electrical'	1	E20001063	
091 Ø	Warning label 'Hot surface' (plast)	1	A20001286	Pk of 25
092 Ø	Label 'Do not overfill' (plast)	1	A20001209	
093 Ø	Label 'Direction of rotation' (plast)	1	A20001085	
094 Ø	Label 'Fomblin only' (plast)	1	A20001275	
095 Ø	Oil indicator assembly (m stl)	1	A30151022	
097 Ø	Modified cap (rubber)	1	A30151024	
098 Ø	Insert oil filler plug (plast)	1	A25908035	
099 Ø	Label 'Vented	'1	A20001195	
100 Ø	'O' ring size ref 0111-16 (Viton)	1	H02122009	
102 Ø	Label 'Shaft seal reservoir' (plast)	1	A20001240	
103 Ø	Label 'Coupling-cover filler plug' (plast)	1	A20001241	
104 Ø	Warning label 'Lifting' (plast)	1	A20001171	
105 Ø	Redcap plug AQ330-12 (plast)	2	H01503021	
106 Ø	Rivet (ali)	6	211430301	
108 Ø	Std hex head scr M16 x 60 lg (stl)	4		
109 Ø	Std hex nut M16 (stl)			

Table 11 - QMB1200 Drive assembly parts list (continued)

13 EH2600 PUMP PARTS LIST

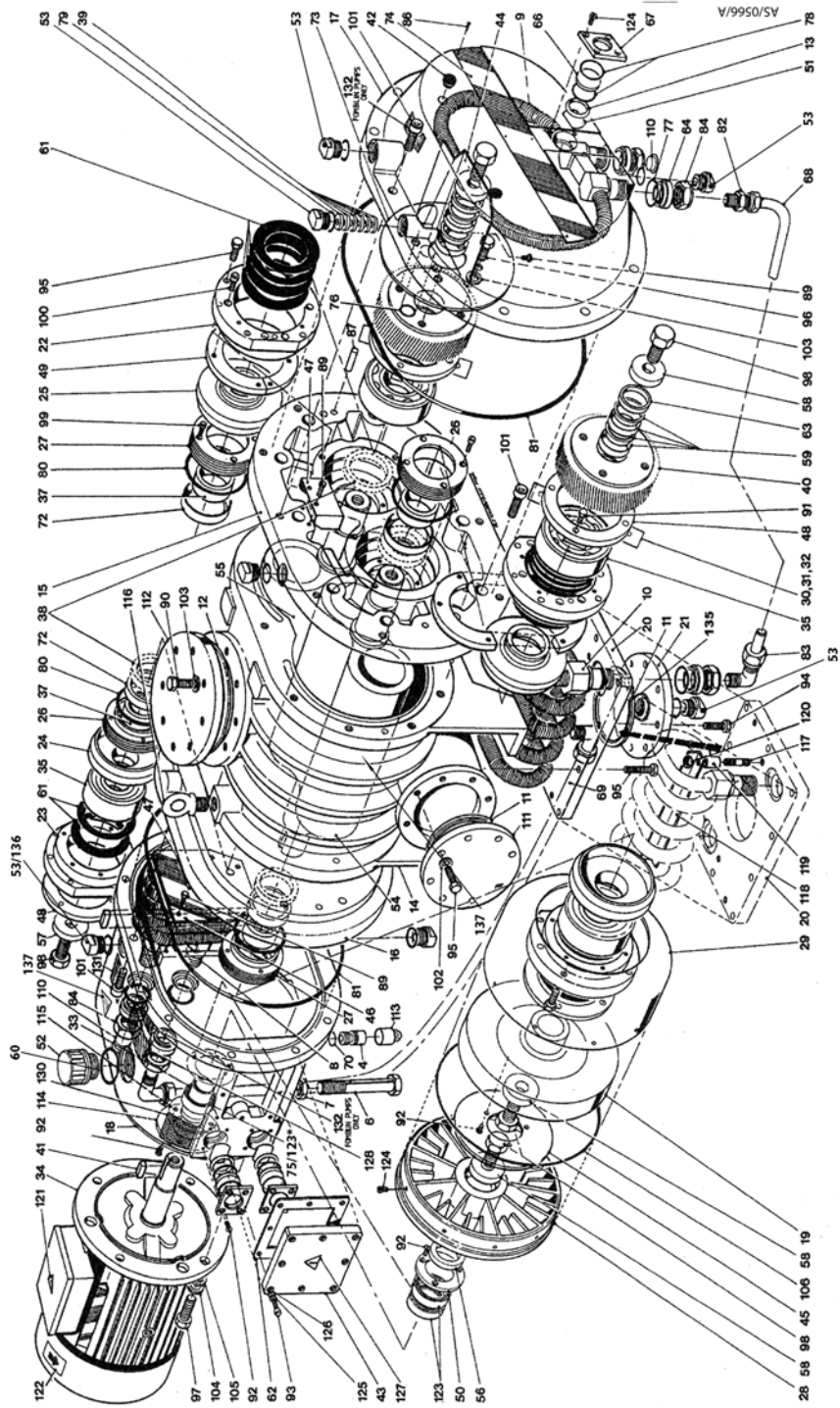


Figure 12 - EH2600 Pump

Ref.	Description	Product Quantity	Item Number	Kit No.(s)
004	Indicator assy	1	A30151022	
006	Std ms hex hd bolt M16 x 120 lg	1		
007	Std ms hex thin nut M16	1	218961414	
008	Sub-assy - coupling cover cooling coil	1	A30751010	
009	Sub-assy - gear cover cooling coil	1	A30751011	
010	Sub-assy intercooler	1	A30751012	
011	Trapped 'O' ring ISO 100	1	B27158171	
012	Trapped 'O' ring ISO 160	1	B27158172	
013	Compression ring	3	A27820008	
014	Stator	1	A30751001	
015	Headplate - gear end	1	A30750002	
016	Headplate - coupling end	1	A30751003	
017	Gear cover	1	A30750004	
018	Coupling cover	1	A30752032	
019	Fluid coupling (driven)	1	A30751036	
020	Sump cover plate	1	A30751014	
021	Sump cover blanking plate	1	A30751015	
022	Bearing carrier - gear end	2	A30751016	
023	Bearing carrier - coupling end	2	A30751017	
024	Throw ring - coupling end	2	A30751018	
025	Throw ring - gear end	2	A30751019	
026	Seal carrier - left hand	2	A30751020	
027	Seal carrier - right hand	2	A30751021	
028	Fluid coupling (driver)	1	A30751030	
029	Coupling enclosure	1	See Table 15	
030	Shim 0.05mm thick	A/R		11
031	Shim 0.10mm thick	A/R		11
032	Shim 0.20mm thick	A/R		11
033	Sleeve (conical/pre-conical)	1/2	A30751034/ A27802032	8, 9
034	Drive 10 hp		See Table 15	
035	Ball bearing 6309RS	4		10
037	Inner ring - ir 45 x 55 x 22	4		10
038	Dust seal	4		10
039	Filter disc	6		10
040	Gears	1PR	A22903012	
041	Key 10 x 8 x 30mm lg	1	A24301026	
042	'Heyco' plug (plast)	2	A25908024	
043	Cover plate	1	A25942014	
044	Gear cover baffle	1	A25970013	
045	Coupling baffle	1	A25970014	
046	Oil reservoir cover	1	A25970015	
047	Evacuation baffle	2	A25970022	
048	Bearing retainer	4	A25971008	

Table 12 - EH2600 Pump parts list

Ref.	Description	Product Quantity	Item Number	Kit No.(s)
049	Retainer (2 halves)	2	A25971009	
050	Seal retainer	1	A25971010	
051	Sight glass reflector	3	A25976001	
052	Breather plug 1" BSP	1	A25908176	
053	1/2" BSP plug - EH2600/2600IND	7	A26002021	
	1/2" BSP plug - EH2600C/2600T160/2600 T3	6	A26002021	
054	Rotor (driver)	1	A26401020	
055	Rotor (driven)	1	A26401021	
056	Thrust ring	1	A26407008	
057	Thrust ring	1	A26407009	
058	Thrust ring	4	A26407010	
059	Locking element - 'Ringfeder'	4PR	A26440003	
060	1" BSP Dowty washer	1		8,9
061	Disc spring K6013, 99 X 70.5 X 1.0	12	21898-5237	
062	Gasket (Viton)	1		8,9
063	Clamp ring	2	A27801003	
064	Cooling coil spacer	6	A27802003	
065	Scr hex hd M16 x 60	1		
066	Sight glass (glass)	3		8,9
067	Sight glass bezel (plast)	3	A25908100	
068	Tube - 12mm o/d copper	1	A27843009	
069	Tube - 12mm o/d copper	2	A27843010	
070	'O' ring size ref 0111-16 (Viton)	1	H02122009	
071	Loctite 518	A/R		
072	Lipseal - 72 X 55 X 10 (PTFE)	4		10
073	Oil splasher	1	A25970019	
074	Label	1	A20001219	
075	Lipseal - 45 X 60 X 10/8 (PTFE)	1	23741-069	
076	'O' ring 15.1 i/d x 2.6mm section	1		10
077	'O' ring 1.046" i/d x .139" section	6		8,9
078	'O' ring 1.234 i/d x .139" section	6		8,9
079	'O' ring 19.5 i/d x 3mm section	7		8,9
080	'O' ring 74.5 i/d x 3mm section	4		10
081	'O' ring 419.3 i/d x 5.7mm section	2		8,9
082	Male stud coupling 12mm o/d 3/8" BSPT	1	H03505043	
083	Male stud elbow 12mm o/d 3/8" BSPT	3	H03505111	
084	Hex locknut 3/4" BSP	6	M01500011	
085	Plastic insert	1	A25908035	
086	Rivet	6	211430301	
087	Taper pin Ø 8 X 36 lg	4	212192021	
088	Label 'Vented' (plast)	1	A20001195	
089	Std ms hd scr M5 x 10 lg	1		
090	Std ms hex hd scr M10 x 35 lg	8		
091	Std ms hex hd scr M6 x 20 lg	24		

Table 12 - EH2600 Pump parts list (continued)

Ref.	Description	Product Quantity	Item Number	Kit No.(s)
092	Std ms csk hd scr M5 x 10 lg	9		
093	Soc hd cap scr M5 x 10 lg	3		
094	Std ms hex hd scr M8 x 25 lg	8		
095	Std ms hex hd scr M8 x 30 lg	24		
096	Std ms hex hd scr M10 x 16 lg	4		
097	Std ms hex hd scr M12 x 30 lg	4		
098	Std ms hex hd scr M16 x 35 lg	5		
099	Soc hd cap scr M8 x 10 lg	2		
100	Soc hd cap scr M6 x 25 lg			
101	Soc hd cap scr M10 x 30 lg			
102	Std ms plain washer M8			
103	Std ms plain washer M10			
104	Std ms plain washer M12	4		
105	Std shakeproof washer M12	4		
106	'O' ring 239.5 i/d x 3mm section	1		8,9
107	Loctite 641	A/R	11753-039	
108	Moly disulphide grease	A/R		
109	Loctite 'Screwlock'	A/R		
110	Redcap	2	H01503021	
111	Blanking flange ISO 100	1	A52908143	
112	Blanking flange ISO 160	1	A52908144	
113	Modified cap (Rubber)	1	A30151024	
114	Retainer	1	A30751033	
115	Ring (Viton)	1	A27159441	
116	Eyebolt M16 (to drg spec)	2	218790007	
117	Stud M8	2	B22402003	
118	Angle	1	A20103004	
119	Spacer	2	A27801007	
120	Std ms hex nut M8	2		
121	Warning label 'Electrical'	1	E20001063	
122	Label 'Direction of rotation'(plast)	1	A20001085	
123	Seal 40-52.7 (Viton) (drg spec)	4/2		8,9
124	Scr pan hd M5 x 10 lg (st stl)	22		
125	Std plain wshr M5 (ms ni)	8		
126	Std shakeproof washer M5	8		
127	Warning label (plast)	1	A20001200	
128	Label	1	A20001209	
129	Nut full M16	4		
132	Label 'Fomblin oil only'	2	A20001275	
135	'O' ring 109.5 x 3.0 (Viton)	1	H02122091	
136	Filler plug purge adaptor - EH2600C/T3/ T160 only	1	A30555005	
137	Warning label 'Hot surface'	3	A20001286	

Table 12 - EH2600 Pump parts list (continued)

14 EH4200 PUMP PARTS LIST

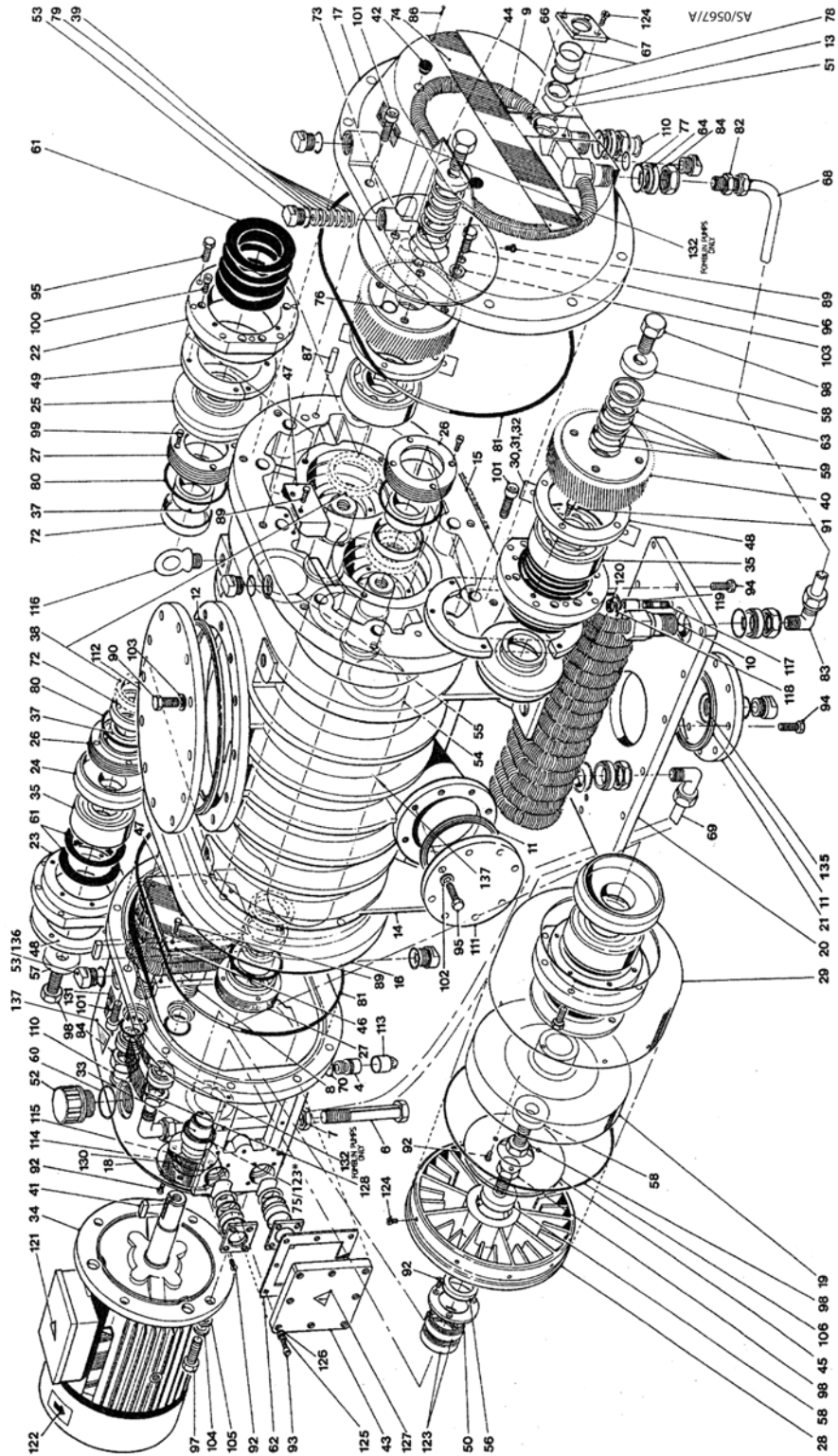


Figure 13 - EH4200 Pump

Ref.	Description	Product Quantity	Item Number	Kit No.(s)
004	Indicator assy	1	A30151022	
006	Std ms hex hd bolt M16 x 120 lg	1		
007	Std ms hex thin nut M16	1	218961414	
008	Sub-assy - coupling cover cooling coil	1	A30751010	
009	Sub-assy - gear cover cooling coil	1	A30751011	
010	Sub-assy intercooler	1	A30951002	
011	Trapped 'O' ring ISO 100	1	B27158171	
012	Trapped 'O' ring ISO 250	1	B27158143	
013	Compression ring	3	A27820008	
014	Stator	1	A30951001	
015	Headplate - gear end	1	A30750002	
016	Headplate - coupling end	1	A30751003	
017	Gear cover	1	A30750004	
018	Coupling cover	1	A30752032	
019	Fluid coupling (driven)	1	A30751036	
020	Sump cover plate	1	A30751014	
021	Sump cover blanking plate	1	A30751015	
022	Bearing carrier - gear end	2	A30751016	
023	Bearing carrier - coupling end	2	A30751017	
024	Throw ring - coupling end	2	A30751018	
025	Throw ring - gear end	2	A30751019	
026	Seal carrier - left hand	2	A30751020	
027	Seal carrier - right hand	2	A30751021	
028	Fluid coupling (driver)	1	A30751030	
029	Coupling enclosure	1	See Table 15	
030	Shim 0.05mm thick	A/R		11
031	Shim 0.10mm thick	A/R		11
032	Shim 0.20mm thick	A/R		11
033	Sleeve (pre-conical/conical)	2/1	A27802032/ A30751034	8,9
034	Drive 10 hp	1	See Table 15	
035	Ball bearing 6309RS	4		10
036	Sleeve (conical)	1	A30751034	
037	Inner ring - ir 45 x 55 x 22	4		10
038	Dust seal	4		10
039	Filter disc	6		10
040	Gears	1PR	A22903012	
041	Key 10 x 8 x 30mm lg	1	A24301026	
042	'Heyco' plug (plast)	2	A25908024	
043	Cover plate	1	A25942014	
044	Gear cover baffle	1	A25970013	
045	Coupling baffle	1	A25970014	
046	Oil reservoir cover	1	A25970015	
047	Evacuation baffle	2	A25970022	
048	Bearing retainer	4	A25971008	

Table 13 - EH4200 Pump parts list

Ref.	Description	Product Quantity	Item Number	Kit No.(s)
049	Retainer (2 halves)	2	A25971009	
050	Seal retainer	1	A25971010	
051	Sight glass reflector	3	A25976001	
052	Breather plug 1" BSP	1	A25908176	
053	1/2" BSP plug - EH4200/4200IND	7	A26002021	
	1/2" BSP plug - EH4200C/4200T160/ 4200T3	6	A26002021	
054	Rotor (driver)	1	A26401022	
055	Rotor (driven)	1	A26401023	
056	Thrust ring	1	A26407008	
057	Thrust ring	1	A26407009	
058	Thrust ring	4	A26407010	
059	Locking element - 'Ringfeder'	4PR	A26440003	
060	1" BSP Dowty washer	1		8,9
061	Disc spring K6013, 99 X 70.5 X 1.0	12	21898-5237	
062	Gasket (Viton)	1	A27159549	8,9
063	Clamp ring	2	A27801003	
064	Cooling coil spacer	6	A27802003	
066	Sight glass	3		8,9
067	Sight glass bezel	3	A25908100	
068	Tube - 12mm o/d copper	1	A27843009	
069	Tube - 12mm o/d copper	2	A27843010	
070	'O' ring size ref 0111-16 (Viton)	1	H02122009	
071	Loctite 518	A/R		
072	Lipseal - 72 X 55 X 10 (PTFE)	4		10
073	Oil splasher	1	A25970019	
074	Label	1	A20001220	
075	Lipseal - 45 X 60 X 10/8 (PTFE)	1	23741-069	
076	'O' ring 15.1 i/d x 2.6mm section	1		10
077	'O' ring 1.046" i/d x .139" section	6		8,9
078	'O' ring 1.234 i/d x .139" section	6		8,9
079	'O' ring 19.5 i/d x 3mm section	7		8,9
080	'O' ring 74.5 i/d x 3mm section	4		10
081	'O' ring 419.3 i/d x 5.7mm section	2		8,9
082	Male stud coupling 12mm o/d 3/8" BSPT	1	H03505043	
083	Male stud elbow 12mm o/d 3/8" BSPT	3	H03505111	
084	Hex locknut 3/4" BSP	6	M01500011	
085	Plastic insert	1	A25908035	
086	Rivet	6	211430301	
087	Taper pin Ø 8 X 36 lg	4	212192021	
088	Label 'Vented'	1	A20001195	
089	Std ms hd scr M5 x 10 lg	1		
090	Std ms hex hd scr M10 x 35 lg	12		
091	Std ms hex hd scr M6 x 20 lg	24		

Table 13 - EH4200 Pump parts list (continued)

Ref.	Description	Product Quantity	Item Number	Kit No.(s)
092	Std ms csk hd scr M5 x 10 lg	9		
093	Soc hd cap scr M5 x 10 lg	3		
094	Std ms hex hd scr M8 x 25 lg	14		
095	Std ms hex hd scr M8 x 30 lg	24		
096	Std ms hex hd scr M10 x 16 lg	4		
097	Std ms hex hd scr M12 x 30 lg	4		
098	Std ms hex hd scr M16 x 35 lg	5		
099	Soc hd cap scr M8 x 10 lg	2		
100	Soc hd cap scr M6 x 25 lg			
101	Soc hd cap scr M10 x 30 lg			
102	Std ms plain washer M8			
103	Std ms plain washer M10	16		
104	Std ms plain washer M12	4		
105	Std shakeproof washer M12	4		
106	'O' ring 239.5 i/d x 3mm sect	1		8,9
107	Loctite 641	A/R	11753-039	
108	Moly disulphide grease	A/R		
109	Loctite 'Screwlock'	A/R		
110	Redcap	2	H01503021	
111	Blanking flange ISO 100	1	A52908143	
112	Blanking flange ISO 250	1	A52908145	
113	Modified cap (Rubber)	1	A30151024	
114	Retainer	1	A30751033	
115	Ring (Viton)	1	A27159441	
116	Eyebolt M16 (to drg spec)	2	218790007	
117	Stud M8	2	B22402003	
118	Angle	1	A20103004	
119	Spacer	2	A27801007	
120	Std ms hex nut M8	2	218960610	
121	Warning label 'Electrical'	1	E20001063	
122	Label 'Direction of rotation' (plast)	1	A20001085	
123	Seal 40-52.7 (Viton) (drg spec)	2/4		8,9
124	Scr pan hd M5 x 10 lg (st stl)	22		
125	Std plain wshr M5 (ms ni)	8		
126	Std shakeproof wshr M5 (ms ni)	8		
127	Warning label	1	A20001200	
128	Label	1	A20001209	
129	N}t full M16	4		
132	Label 'Fomblin oil only'	2	A20001275	
135	'O' ring 109.5 x 3.0 (Viton)	1	H02122091	
136	Filler plug purge adaptor - EH4200C/T3/ T160 only	1	A30555005	
137	Warning label 'Hot surface'	3	A20001286	

Table 13 - EH4200 Pump parts list (continued)

15 MAINTENANCE KITS

The maintenance kits available for the EH/QMB/QMBDD Pumps are listed in Table 14 below.

Kit Number	Description	Item Number
1	Pre-conical clean and overhaul kit	A30151810
2	Conical clean and overhaul kit	A30151815
3	Module service kit	A30151820
4	Shim kit	A30151825
5	Pre-conical clean and overhaul kit	A30551810
6	Conical clean and overhaul kit	A30551815
7	Module service kit	A30551820
8	Pre-conical clean and overhaul kit	A30751810
9	Conical clean and overhaul kit	A30751815
10	Module service kit	A30751820
11	Shim kit	A30751825

Table 14 - Maintenance kits

16 COUPLING COMPONENTS, SHROUD SIZES AND MOTORS

Table 15 shows the item numbers of the couplings, coupling enclosures (shroud) and motors for all of the current and recently discontinued EH booster pumps. The final column shows the shroud applicability, where this shows 'ALL' it applies to all pumps with that model number, however where 'MEASURE' is shown, the shroud fitted to the pump should be measured and replaced with the same part. For the 60Hz IND EH2600/4200 the size of the shroud to be used depends on the driven coupling half that is fitted to the pump. In all instances on the EH2600/4200 where the driven coupling needs replacing, A30751036 must be used and the appropriate shroud fitted.

Pump	Freq Hz	Product No.	Oil Tyre	Coupling Enclosure P/N	Shroud hole size (mm)	Driven Coupling	Driver Coupling	Motor Item Number	Shroud applicability
EH250, 1.5kW	50	A30151935	Mineral	A30151010	85	A30271707	A30271730	A07112003	ALL
EH250, 1.5kW	60	A30152936	Mineral	A30152001	110	A30271707	A30271730	A07112004	ALL
EH250IND, 2.2kW	50	A30151945	Mineral	A30151010	85	A30271707	A30271730	A07113075	ALL
EH250IND, 2.2kW	60	A30152946	Mineral	A30152001	110	A30271707	A30271730	A07113076	ALL
EH250T160, 2.2kW	50	A30155935	Mineral	A30151010	85	A30271707	A30271730	A07113073	ALL
EH250C, 2.2kW	60	A30156936	Mineral	A30152001	110	A30271707	A30271730	A07113074	ALL
EH250, PFPE, 1.5kW	50	A30153935	PFPE	A30252002	108	A30271707	A30271730	A07112003	ALL
EH250, PFPE, 1.5kW	60	A30154936	PFPE	A30154001	122	A30271707	A30271730	A07112004	ALL
QMB250	50	ALL	PFPE	A30252002	108	A30271707	A30271730	A07113072	ALL
QMB250	60	ALL	PFPE	A30154001	122	A30271707	A30271730	A07113072	ALL
EH500, 1.5 kW	50	A30271935	Mineral	A30151010	85	A30271707	A30271730	A07112003	ALL
EH500, 1.5 kW	60	A30272936	Mineral	A30152001	110	A30271707	A30271730	A07112004	ALL
EH500IND, 2.2 kW	50	A30271945	Mineral	A30151010	85	A30271707	A30271730	A07113075	ALL
EH500IND, 2.2 kW	60	A30272946	Mineral	A30152001	110	A30271707	A30271730	A07113076	ALL
EH500T3, 2.2kW	50	A30277935	Mineral	A30151010	85	A30271707	A30271730	A07113073	ALL
EH500C, 2.2kW	60	A30276936	Mineral	A30152001	110	A30271707	A30271730	A07113074	ALL
EH500, 1.5 kW	50	A30273950	PFPE	A30252002	108	A30271707	A30271730	A07112016	ALL
EH500A, 1.5 kW	50	A30273935	PFPE	A30252002	108	A30271707	A30271730	A07112003	ALL
EH500A, 1.5 kW	60	A30274936	PFPE	A30154001	122	A30271707	A30271730	A07112004	ALL
QMB500	50	ALL	PFPE	A30154002	108	A30271707	A30271730	A07113772	ALL
QMB500	60	ALL	PFPE	A30252001	122	A30271707	A30271730	A07113772	ALL
EH1200 or EH1200IND	50	A30590935	Mineral	A30551022	100	A30551731	A30271730	A07114001	ALL
EH1200 or EH1200IND	60	A30591936	Mineral	A30552002	130	A30551731	A30271730	A07114002	ALL
EH1200C	50	A30555900	Mineral	A30551022	100	A30551731	A30271730	A07114006	ALL
EH1200T160	50	A30557900	Mineral	A30551022	100	A30551731	A30271730	A07114006	ALL
EH1200C	60	A30556982	Mineral	A30552002	130	A30551731	A30271730	A07114012	ALL
EH1200	50	A30592935	PFPE	A30552002	130	A30551731	A30271730	A07114001	ALL
EH1200	60	A30593936	PFPE	A30554001	136	A30551731	A30271730	A07114002	ALL
QMB1200	50	ALL	PFPE	A30554002	130	A30551731	A30271730	A07115021	ALL
QMB1200	60	ALL	PFPE	A30552001	136	A30551731	A30271730	A07115021	ALL
EH2600, 7.5 kW	50	A30751935	Mineral	A30751026	175	A30751036	A30751030	A07117001	ALL
EH2600, 7.5 kW	60	A30752936	Mineral	A30752005 or A30752005	200 or 195	A30751036	A30751030	A07117002	MEASURE
EH2600, 11 kW	50	A30751946	Mineral	A30751026	175	A30751036	A30751030	A07118015	ALL
EH2600, 11 kW	60	A30752982	Mineral	A30752003 or A30752005	200 or 195	A30751036	A30751030	A07118016	MEASURE
EH2600IND, 11 kW	50	A30775946	Mineral	A30741015	162	A30751036	A30751030	A07118015	ALL
EH2600IND, 11 kW	60	A30776982	Mineral	A30752005 A30779015	195 179	A30751031 A30751063	A30751030	A07118016	DEPENDS ON DRIVEN COUPLING
EH2600C, 11 kW	50	A30755900	Mineral	A30751026	175	A30751036	A30751030	A07118017	ALL
EH2600T160, 11 kW	50	A30779900	Mineral	A30779015	179	A30751036	A30751030	A07118017	ALL
EH2600T3, 11 kW	50	A30741935	Mineral	A30741015	162	A30751036	A30751030	A07118017	ALL

Table 15 - Item numbers of coupling enclosures and motors

Pump	Freq Hz	Product No.	Oil Tyre	Coupling Enclosure P/N	Shroud hole size (mm)	Driven Coupling	Driver Coupling	Motor Item Number	Shroud applicability
EH2600C, 11 kW	60	A30756982	Mineral	A30752003 or A30752005	200 or 195	A30751036	A30751030	A07118019	MEASURE
EH2600, 7.5 kW	50	A30753935	PFPE	A30751027	190	A30751036	A30751030	A07117001	ALL
EH2600, 7.5 kW	60	A30754936	PFPE	A30752004	218.5	A30751036	A30751030	A07117002	ALL
EH4200, 7.5 kW	50	A30951935	Mineral	A30751026	175	A30751036	A30751030	A07117001	ALL
EH4200, 7.5 kW	60	A30952936	Mineral	A30752003 or A30751027	200 or 190	A30751036	A30751030	A07117002	MEASURE
EH4200, 11 kW	50	A30951946	Mineral	A30751026	175	A30751036	A30751030	A07118015	ALL
EH4200, 11 kW	60	A30952982	Mineral	A30752003 or A30751027	200 or 190	A30751036	A30751030	A07118016	MEASURE
EH4200IND, 11 kW	50	A30975946	Mineral	A30741015	162	A30751036	A30751030	A07118015	ALL
EH4200IND, 11 kW	60	A30976982	Mineral	A30751027	190	A30751031	A30751030	A07118016	DEPENDS ON DRIVEN COUPLING
				A30779015	179	A30751036			
EH4200C, 11 kW	50	A30955900	Mineral	A30751026	175	A30751036	A30751030	A07118017	ALL
EH4200T160, 11 kW	50	A30979900	Mineral	A30751026	175	A30751036	A30751030	A07118017	ALL
EH4200T3, 11 kW	50	A30941935	Mineral	A30741015	162	A30751036	A30751030	A07118017	ALL
EH4200C, 11 kW	60	A30956982	Mineral	A30752003 or A30751027	200 or 190	A30751036	A30751030	A07118019	MEASURE
EH4200, 7.5 kW	50	A30953935	PFPE	A30751027	190	A30751036	A30751030	A07117001	ALL
EH4200, 7.5 kW	60	A30954936	PFPE	A30752004	218.5	A30751036	A30751030	A07117002	ALL

Table 15 - Item numbers of coupling enclosures and motors (continued)