

Flange and Fittings

ISO-KF, ISO-K, ISO-F, CF

280.00.02

Excerpt from the Leybold Full Line Catalog 2016

Catalog Part Flange and Fittings

Edition: Fall 2016

Contents

Flange and Fittings

General

Introduction	4
These Arguments Prove Leybold's QUALITY	5
Materials	6
The Right Connection from Leybold	7
Flange Connections	8

Products

ISO-KF Flange Fittings and Components	10
Version for the North and South American Continent	29
ISO-K Clamp Flange Fittings and Components	36
Version for the North and South American Continent	49
ISO-F and DIN EN 1092-1 Fixed Flange Fittings and Components	50
ISO-F Fixed Flange Fittings and Components	51
DIN EN 1092-1 Fixed Flange Fittings and Components	55
Version for the North and South American Continent	56
CF Flanges Fittings and Components	58
Observation Windows for Vacuum Systems	72
ISO-KF / ISO-K Observation Windows	73
CF Observation Windows	74

For information on electrical, rotary/linear motion and liquid feedthroughs, please refer to Catalog Part "Feedthroughs".

General to Flange and Fittings

Introduction

According to DIN 28 400, the term "Ultra-high Vacuum (UHV)" designates the pressure range below 10^{-7} mbar.

Several physical quantities, such as mean free path, monolayer time, flow density of the particles impinging on the walls, leak rate and the degassing rate are of significance in the characterization of this pressure range. For the definitions of these quantities refer to technical publications on this subject.

In order to attain or maintain pressures below 10^{-7} mbar, the following pre-conditions must be met:

- The vapor pressure of the pump fluid or lubricant should be in accordance with the desired ultimate pressure
- the leak and degassing rates of the entire apparatus including its installations must be extremely low.

Generally, both leak rate and back-streaming effects through the pump can be kept at sufficiently low levels by using suitable UHV sealing materials and pumps.

However, a sufficiently low outgassing rate can only be achieved by baking out the entire apparatus at temperatures of about 300 °C (572 °F) for a longer period of time. It is only under these conditions that the mono-layers of atoms or molecules, which attach quite firmly to the surfaces of the vacuum apparatus including its installations, are desorbed.

Consequently, components for UHV systems are generally made of stainless steel. Metal gaskets, ceramic feedthroughs and bakeable observation windows are used exclusively.

For applications in the extreme UHV range (XHV) the outgassing rate of the CF flanges and the UHV components can be reduced by about two orders of magnitude by a special degassing process.

The high standard of development and manufacture combined with the use of high quality materials guarantee that UHV components from Leybold Vacuum are able to meet even the most demanding requirements.

Advantages to the User

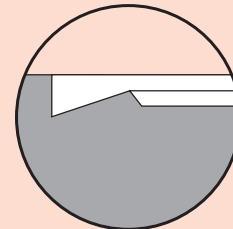
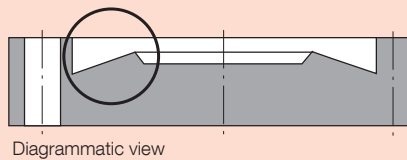
- Stabilized Leybold knife-edge
- High reliability
- Special knife edge profiles ensure the highest degree of leak tightness
- Flange connection can be baked out up to 450 °C (842 °F)
- Easy to assemble, helium-tight
- Symmetrical flange connection
- Equal sealing profiles
- Small outside diameter with respect to the nominal width
- Can be joined by welding or brazing using any desired process, also with other nickel chromium steel grades
- For use either with a flat gasket made of OFHC copper (oxygen-free) or FPM (FKM) O-ring
- Self-centering
- Fixed and rotary flanges in almost any size

These Arguments Prove Leybold's QUALITY

- Availability of all components at short notice
- Worldwide advice at any time to answer your questions relating to vacuum systems
- Utilization of most advanced manufacturing methods
- Environment-friendly cleaning baths with complete waste disposal and recycling facilities
- Environment-friendly and secure packaging
- Total Quality Management methods during all processing stages
- Controlled material quality
- Compatible to your existing flanges of the same system
- Highly leak-tight down to leak rates of 1×10^{-9} mbar x l x s⁻¹; all components are subjected to a helium leak test
- Low outgassing rates of the materials through
 - choice of the right material quality, especially for vacuum apparatus
 - excellent cleaning methods
- Documentation available for all components

- The well-proven Leybold geometry for the cutting edges

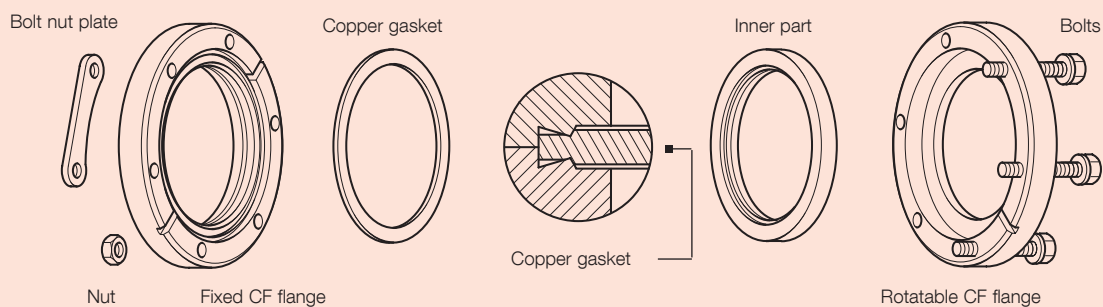
The stabilized Leybold profile for the cutting edges



- Forged steel materials of high tensile strength and density
- Material quality for standard applications DIN 1.4301 corresponds to AISI 304
- Tightly checked, **close dimensional tolerances** for the entire sealing geometry
- **Low degassing rates** of the tube material used

Advantages

Reliable sealing of UHV connections over hundreds of heating cycles



General

Vacuum systems (i.e. systems for pressures ranging from 2.5 bar to 10^{-9} mbar (1.9×10^{-3} Torr to 0.75×10^{-9} Torr)) are quickly and easily assembled owing to the modular construction principle which is based on interchangeable standard components by means of vacuum-tight, demountable flange connections. Individual components may be exchanged easily at any time. Depending on the intended use and size of the connection, flanges of different types have been developed. The ISO-KF flange connection was developed by Leybold many years ago and has been widely accepted by all users of vacuum equipment. This catalog part lists all flange connections and fittings including adaptors for ultra-high vacuum components.

Components marked with [< 1000 mbar (< 750 Torr)] are not allowed for use at pressures exceeding 1000 mbar abs.

The components and flange connections are intended for use in connection with vacuum systems. They have not been designed to support mechanical loads. All loads must be supported separately at the connection components.

When mounting turbo molecular vacuum pumps onto flanges the maximum crash momentum needs to be considered. Additional fixing of the pump might be necessary.

Flange Designations

The designations used by Leybold Vacuum for clamp flanges, fixed flanges (bolted) and collar flanges with retaining rings correspond both to the international standards ¹⁾ and to the usual nomenclature in vacuum technology.

Materials

Stainless Steel

German Material No.	AISI/SAE	DIN Designation
1.4301	304	X5 CrNi 18 10
1.4305	303	X10 CrNi S 18 9
1.4306	304 L	X2 CrNi 19 11
1.4310	301	X12 CrNi 17 7
1.4401	316	X5 CrNiMo 17 12 2
1.4404	316 L	X2 CrNiMo 17 12 2
1.4435	316 L	X2 CrNiMo 18 14 3
1.4541	321	X10 CrNiTi 18 9
1.4571	316 Ti	X6 CrNiMoTi 17 12 2
1.4552	–	X5 CrNiNb 18 9

Aluminium

German Material No.	AISI	DIN Designation
3.0255.10	AA 1050 1-0	Al 99.5 w
3.0615.71	AA 6012-T6	AlMgSiPb
3.1655.53	AA 2011-T352	AlCuBiPb
3.2162.05	380.0 (AA)	GD-AISI8Cu3
3.2315.08	6082-F (AA)	AlMgSi1
3.2315.71	6082-T6	AlMgSi1
3.2315.72	6063 (AA)	AlMgSi1
3.2381.02	520.0 (AA)	GK AISi 10 Mg
3.2381.62	520.0 (AA)	GK AISi 10 Mgwa
3.2582.05	160 X	GD-AISI 12

¹⁾ The nominal width DN corresponds only approximately to the inner diameter, i.e. is not necessarily identical to the inner diameter. Differences in the actual inner diameter are quite normal in practice and do not contravene standards.

Steel

German Material No.	AISI	DIN Designation
1.0037	–	St 37-2
1.0308	–	St 35
1.0831	–	St 52
1.1141	–	CK 15
1.1181	–	CK 35

Gaskets

Code Designation	Chemical Designation	Typical Trade Name
CR	Chloroprene-caoutchouc	Neoprene
FPM (FKM)	Fluor-caoutchouc	Viton®
NBR	Acrylonitrile-butadienrubber	Perbunan®
PTFE	Polytetrafluor-ethylene	Teflon®
EPDM	Ethylene propylene dien rubber–	

Hoses and Tubes

Code Designation	Chemical Designation	Typical Trade Name
NR	Natural rubber	–
PVC	Polyvinylchloride–	

The Right Connection from Leybold

ISO-F

1. Flange
2. Vacuum sealing disk consisting of centering ring and O-ring gasket with outer support ring
3. ISO-K flange
4. Bolt with nut
5. Collar flange with retaining ring

ISO-KF

1. ISO-KF flanges
2. Centering ring with O-ring gasket
3. Clamping ring

ISO-KF clamp flange connection

2. Adaptor reducer ISO-K - ISO-KF
3. Centering ring with O-ring gasket
4. Flexible vacuum tubing
5. Clamping quick-release ring
6. Tee
7. Clamp
8. Elbow
9. PVC coated vacuum tubing
10. Cross
11. Blank flange
12. Small flange with hose nozzle

ISO-K

1. ISO-K flange
2. Centering ring with O-ring gasket and outer support ring
3. Clamp

ISO-K clamp flange connection

CF

2. Reducer / ISO-K-CF
3. Adaptor CF-ISO-K/ISO-KF
4. Double cross
5. Adjustment piece
6. Elbow
7. Ceramic intermediate piece
8. Tee
9. UHV observation window
10. Blank flange

CF flange connection

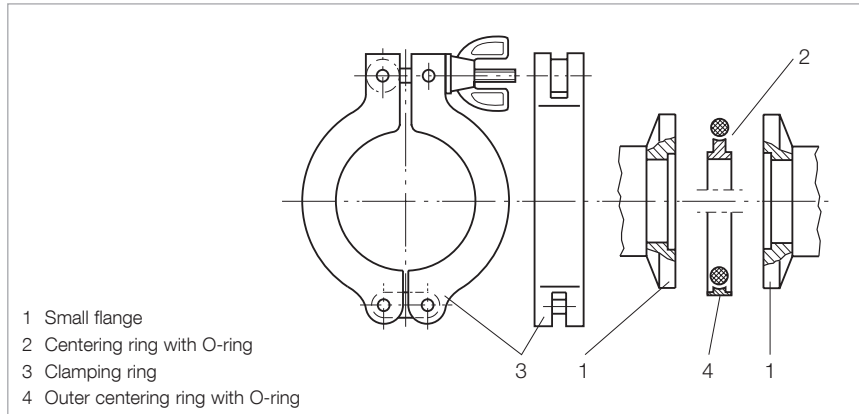
1. ISO-K flange
2. Centering ring with O-ring gasket and outer support ring
3. Clamp
4. Tee
5. Cross with lateral DN 10/40 ISO-KF flanges
6. Elbow
7. Flexible vacuum tubing
8. Cross
9. Intermediate flange with gauge port
10. Clamp flange with tubulation
11. Blank flange
12. Flexible compensation element

Flanges and Fittings

Flange Connections

ISO-KF Connection

The ISO-KF connection (to DIN 28 403 and ISO 2861) permits rapid fitting and replacement of components in vacuum systems. It consists of two symmetrical ISO-KF flanges **(1)**, a centering ring with O-ring gasket **(2)** and a clamping ring **(3)**. High vacuum tight ISO-KF connections can be made without the use of tools simply by turning the wing nut of the clamping ring.

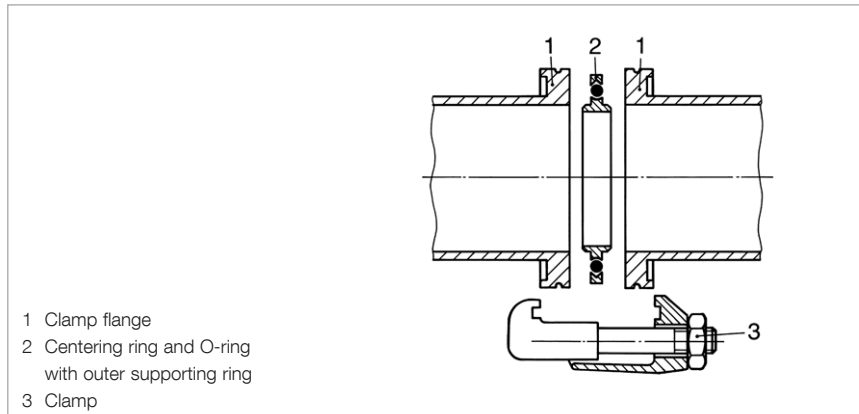


ISO-KF flange connection

ISO-K Clamp Flange Connection

The clamp flange connection (to DIN 28 404 and ISO 1609) allows components from DN 63 to DN 630 to be connected in any position regardless of the bolt hole arrangement on any fixed flanges.

It consists of two clamp flange components **(1)**, a centering ring **(2)** with an outer ring enclosing the O-ring gasket, and several clamps **(3)** which the connection is assembled and tightened with. Since the centering ring can be firmly inserted into the centering groove of the flange, even horizontal connections are quickly and easily fitted.



ISO-K clamp flange connection

ISO-F / DIN Fixed Bolted Flange Fittings

With the appropriate collar flanges, the clamp flange can be connected to various fixed bolted flange systems (ISO-F, DIN EN 1092-1, etc.) see figures in chapter "ISO-F and DIN EN 1092-1 Fixed Flange Fittings".

CF Flanges and Components

The CF flange connection consists of two geometrically identical flanges with a flat gasket made of OFHC copper, bolts and nuts and washers.

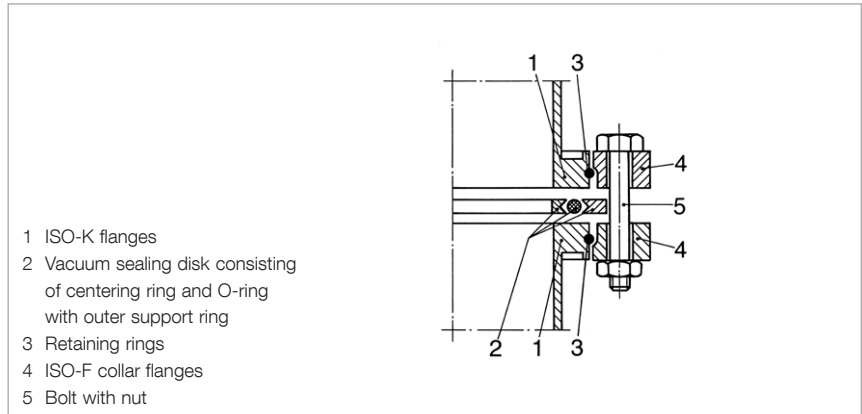
CF components are made of selected, corrosion resistant types of stainless steel.

All components are inside welded to prevent right from the beginning any cracks or pocket holes which might constitute a so-called virtual leak.

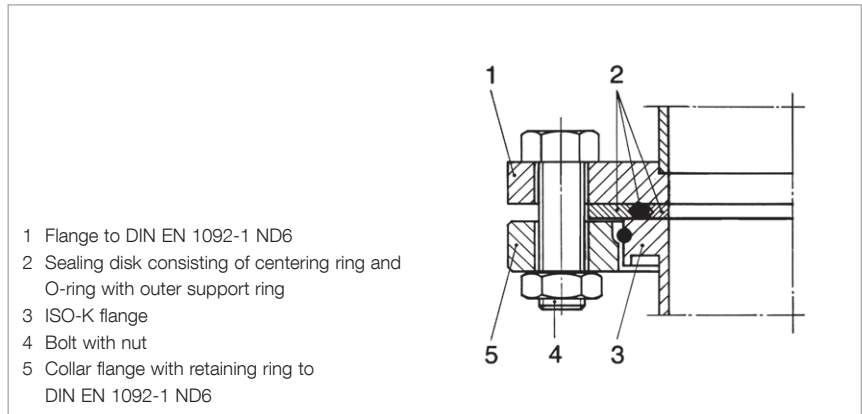
Bake Out Temperatures for the Gaskets

CR and FPM (FKM) gaskets can be inserted in all listed flange types, while aluminium gaskets may be used for higher vacuum requirements.

CR gaskets can be used in the temperature range from -40 °C to +100 °C [-40 °F to +212 °F] (max. bakeout temperature), FPM (FKM) gaskets from -15 °C to +150 °C [+5 °F to +302 °F] (max. bakeout temperature). Aluminium gaskets from -196 °C to +200 °C [-321 °F to +392 °F] (max. bakeout temperature gradient; ΔT max. 2.5 °/min).



Clamped flange connection with collar flanges



Connection between a DIN EN 1092-1 ND 6 flange and an ISO-K flange with DIN EN 1092-1 collar flange

ISO-KF Flange Fittings and Components

DN 16 ISO-KF to DN 50 ISO-KF Aluminium Design (to DIN 28 403) [Tubes similar DIN 28 403]

The small flange connection developed by Leybold has become the basis of the international standard for vacuum technology.

Advantages to the User (Aluminium and Stainless Steel)

- Quick, safe and reliable
- No tools are need to provide a vacuum-tight seal
- Suitable down to pressures of 10^{-7} mbar (0.75×10^{-7} Torr)
- Easy to disassemble and clean
- In the case of special requirements as to degassing for the purpose of reducing the outgassing rate and in case of special requirements as to corrosion resistance, we recommend the use of stainless steel components.

Additional Benefits of the Stainless Steel Types

- Can be baked out up to 200 °C (392 °F) when using metal seals
- Can be degassed up to 150 °C (302 °F) with FPM (FKM) gaskets
- With metal seals suitable for pressures down to 10^{-9} mbar (0.75×10^{-9} Torr)
- Corrosion resistant
- Low degassing rate
- For standard applications involving pressures up to 2.5 bar (1.9×10^3 Torr) abs. even with outside ring resp. ultra sealing ring and 3-part clamping ring 5 bar
- Can be degassed up to 200 °C (392 °F) with UHV aluminium rings or disks

Flexible Compensation Elements

Vacuum systems and pump systems often require components which are capable of protecting sensitive instruments against impacts or excessive vibrations while linking tubes at the same time.

Advantages to the User

- Easy and quick to install
- Safe and reliable
- Tubes may be turned in any direction
- No centering and sealing ring required
- Capable of withstanding temperatures up to 80 °C (176 °F)
- Suitable for pressures down to 10^{-5} mbar (0.75×10^{-5} Torr)

Quick Clamping Ring

Advantages to the User

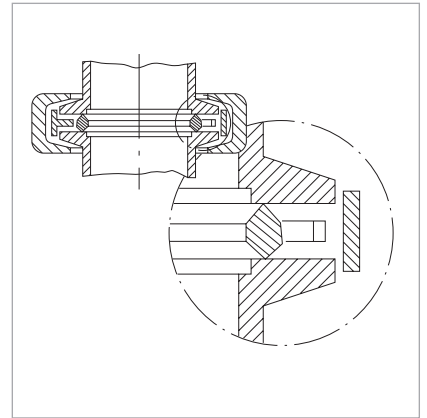
- Quick and effective fitting and disassembly
- Can be fitted with one hand
- Closing action via lever with clamping spring
- Corrosion resistant



Fitting a centering ring to an ISO-KF component



Quick clamping ring



Small flange connection with ultra sealing ring



Fitting an elbow



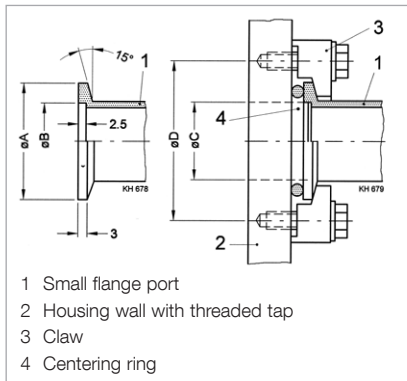
Clamping ring for ultra sealing disk



Small flange connection with clamping ring



Small flange components made of stainless steel

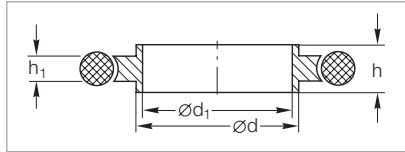


Small flange connection

Technical Data

Nominal diameter		A	B	C	D	Number of claws
DN 10 ISO-KF	mm	30.0	12.2	12.2	45.0	4
	in.	1.18	0.48	0.48	1.77	
DN 16 ISO-KF	mm	30.0	17.2	17.2	45.0	4
	in.	1.18	0.68	0.68	1.77	
DN 25 ISO-KF	mm	40.0	26.2	26.2	55.0	4
	in.	1.57	1.03	1.03	2.17	
DN 40 ISO-KF	mm	55.0	41.2	41.2	71.0	4
	in.	2.17	1.62	1.62	2.80	
DN 50 ISO-KF	mm	75.0	52.4	52.4	91.0	4
	in.	2.95	2.06	2.06	3.58	

Centering Rings (Al AW-6082-T6/Stainless Steel 1.4301) with O-Ring (CR / FPM (FKM))



Dimensional drawing for the centering rings with O-ring

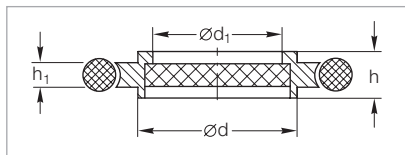
Technical Data

DN	ISO-KF	10	16	20	25	32	40	50
d	mm (in.)	12 (0.47)	17 (0.67)	22 (0.87)	26 (1.02)	34 (1.34)	41 (1.61)	52 (2.05)
d ₁	mm (in.)	10 (0.40)	16 (0.63)	20 (0.79)	25 (0.98)	32 (1.26)	40 (1.57)	50 (1.97)
h	mm (in.)	8 (0.31)	8 (0.31)	8 (0.31)	8 (0.31)	8 (0.31)	8 (0.31)	8 (0.31)
h ₁	mm (in.)	3.9 (0.15)	3.9 (0.15)	3.9 (0.15)	3.9 (0.15)	3.9 (0.15)	3.9 (0.15)	3.9 (0.15)

Ordering Information

Aluminum/CR	Part No.	183 21	183 26	183 22	183 27	183 23	183 28	183 25
Aluminum/FPM (FKM)	Part No.	182 01	182 06	182 02	182 07	182 03	182 08	182 05
Aluminum/FPM (FKM) (Set of 10 pcs)	Part No.	-	210841V01	-	210843V01	-	210845V01	-
	Part No.	-	-	210842V01	-	210844V01	-	210846V01
Stainless steel/FPM (FKM)	Part No.	883 21	883 46	883 22	883 47	883 23	883 48	883 25

Centering Rings (Stainless Steel) with Sintered Metal Filter (Stainless Steel 1.4404 and O-Ring (FPM (FKM)))



Dimensional drawing for the centering rings with sintered metal filter and O-ring

Sintered metal filter:

Air throughput at 20 °C (68 °F) and 200 mbar differential pressure approx. 1 m³ x h⁻¹ x cm², pore size: 20 μm

Technical Data

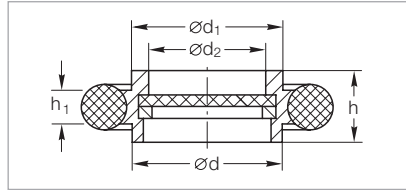
DN	ISO-KF	10	16	25	40	50
d	mm (in.)	12 (0.47)	17 (0.67)	26 (1.02)	41 (1.61)	52 (2.05)
d ₁	mm (in.)	8 (0.31)	14 (0.55)	23 (0.91)	38 (1.50)	48 (1.89)
h	mm (in.)	8 (0.31)	8 (0.31)	8 (0.31)	8 (0.31)	8 (0.31)
h ₁	mm (in.)	3.9 (0.15)	3.9 (0.15)	3.9 (0.15)	3.9 (0.15)	3.9 (0.15)

Ordering Information

Stainless steel	Part No.	883 50	883 51	883 52	883 53	883 54
-----------------	----------	---------------	---------------	---------------	---------------	---------------

Important: In the table of Chapter "General" the German designation for the type of steel is also stated in accordance with AISI.

Centering Rings with Fine Filter (Stainless Steel 1.4305) with O-Ring (FPM (FKM))



Dimensional drawing for the centering rings with fine filter

Filter material:
Stainless steel mesh 1.4404,
size of pore: 4 μm

Separation grade:
1 μm particles to 98%
(Filter material not available separately)

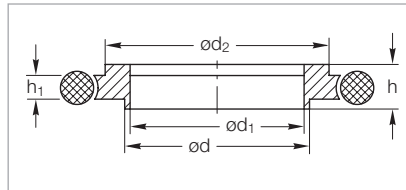
Technical Data

DN	ISO-KF	10	16	25	40	50
d	mm (in.)	12 (0.47)	17 (0.67)	26 (1.02)	41 (1.61)	52 (2.05)
d ₁	mm (in.)	12 (0.47)	17 (0.67)	26 (1.02)	41 (1.61)	52 (2.05)
d ₂	mm (in.)	9 (0.35)	13 (0.51)	22 (0.87)	35.5 (1.4)	46 (1.81)
h	mm (in.)	8 (0.31)	8 (0.31)	8 (0.31)	8 (0.31)	8 (0.31)
h ₁	mm (in.)	3.9 (0.15)	3.9 (0.15)	3.9 (0.15)	3.9 (0.15)	3.9 (0.15)

Ordering Information

Stainless steel	Part No.	883 95	883 96	883 97	883 98	883 99
-----------------	----------	--------	--------	--------	--------	--------

Centering Ring Adaptors (Al AW-6082-T6/Stainless Steel 1.4301) with O-ring (NBR / FPM (FKM))



Dimensional drawing for the centering ring adaptors with O-ring

Technical Data

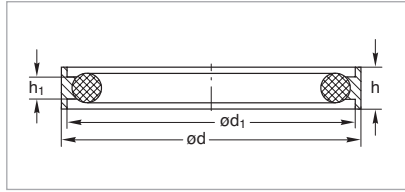
DN	ISO-KF	10/16	20/25	32/40
d	mm (in.)	12 (0.47)	22 (0.87)	34 (1.34)
d ₁	mm (in.)	10 (0.40)	20 (0.79)	32 (1.26)
d ₂	mm (in.)	17 (0.67)	26 (1.02)	41 (1.61)
h	mm (in.)	8 (0.31)	8 (0.31)	8 (0.31)
h ₁	mm (in.)	3.9 (0.15)	3.9 (0.15)	3.9 (0.15)

Ordering information

Aluminium/FPM (FKM)	Part No.	182 56	182 57	182 58
Aluminium/FPM (FKM) (Set of 10 pcs)	Part No.	-	210848V01	-
Aluminium/NBR	Part No.	183 56	183 57	183 58
Stainless steel/FPM (FKM)	Part No.	883 56	883 57	883 58

Important: In the table of Chapter "General" the German designation for the type of steel is also stated in accordance with AISI.

Outer Centering Rings (Al AW-6082-T6) with O-Ring (CR / FPM (FKM))



Dimensional drawing for the outer centering rings with O-ring

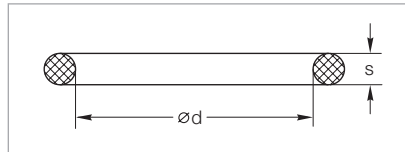
Technical Data

DN	ISO-KF	10/16	20/25	32/40	50
d	mm (in.)	32 (1.26)	42 (1.65)	57 (2.24)	77 (3.03)
d ₁	mm (in.)	30.2 (1.19)	40.2 (1.58)	55.2 (2.17)	75.2 (2.96)
h	mm (in.)	7 (0.28)	7 (0.28)	7 (0.28)	7 (0.28)
h ₁	mm (in.)	3.9 (0.15)	3.9 (0.15)	3.9 (0.15)	3.9 (0.15)

Ordering information

Aluminium/CR	Part No.	183 50	183 51	183 52	183 59
Aluminium/FPM (FKM)	Part No.	183 53	183 54	183 55	183 60

Spare O-Ring Gaskets for ISO-KF Flange Connections



Dimensional drawing for the spare O-ring gaskets for ISO-KF flange connections

Technical Data

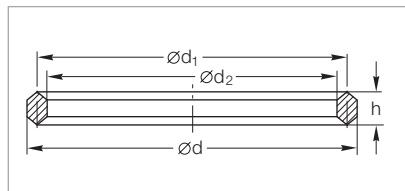
DN	ISO-KF	10	16 ¹⁾	20	25 ¹⁾	32	40 ¹⁾	50
d	mm (in.)	15 (0.59)	18 (0.71)	25 (0.98)	28 (1.10)	40 (1.57)	42 (1.65)	55 (2.17)
s	mm (in.)	5 (0.20)	5 (0.20)	5 (0.20)	5 (0.20)	5 (0.20)	5 (0.20)	5 (0.20)

Ordering Information

FPM (FKM) (Set of 10 pcs)	Part No.	ES210600	-	ES210610	-	ES210620	-	ES210630
	Part No.	-	ES210605	-	ES210615	-	ES210625	-

¹⁾ Also for adaptor/centering rings

Ultra Sealing Rings (Aluminium 3.2315.71)



Dimensional drawing for the ultra sealing rings

Technical Data

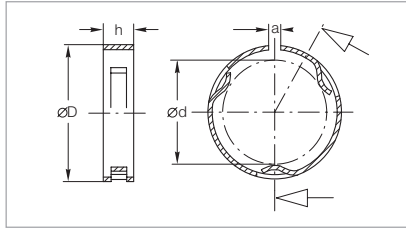
DN	ISO-KF	10/16	20/25	32/40	50
d	mm (in.)	25.6 (1.01)	35.6 (1.40)	50.6 (1.99)	65.6 (2.58)
d ₁	mm (in.)	22.6 (0.89)	32.6 (1.38)	47.6 (1.87)	62.6 (2.46)
d ₂	mm (in.)	19.6 (0.77)	29.6 (1.17)	44.6 (1.76)	59.6 (2.35)
h	mm (in.)	4.5 (0.18)	4.5 (0.18)	4.5 (0.18)	4.5 (0.18)

Ordering Information

Aluminium (set of 3 pieces)	Part No.	883 73	883 75	883 77	883 79
-----------------------------	----------	---------------	---------------	---------------	---------------

Important: In the table of Chapter "General" the German designation for the type of steel is also stated in accordance with AISI.

Outer Support Rings (Stainless Steel 1.4310) for Ultra Sealing Rings



Dimensional drawing for the outer support rings

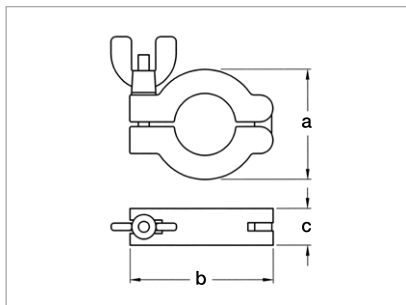
Technical Data

DN	ISO-KF	10/16	20/25	32/40	50
a	mm (in.)	3 (0.12)	3 (0.12)	3 (0.12)	3 (0.12)
D	mm (in.)	32 (1.26)	42 (1.65)	57 (2.24)	77 (3.03)
d	mm (in.)	25 (0.98)	35 (1.38)	50 (1.97)	65 (2.56)
h	mm (in.)	7 (0.28)	7 (0.28)	7 (0.28)	7 (0.28)

Ordering Information

Stainless steel	Part No.	883 74	883 76	883 78	883 69
-----------------	----------	--------	--------	--------	--------

Clamping Rings (ADC 12)



Dimensional drawing for the clamping rings

Max. torque at the wing nut: 2 Nm

Technical Data

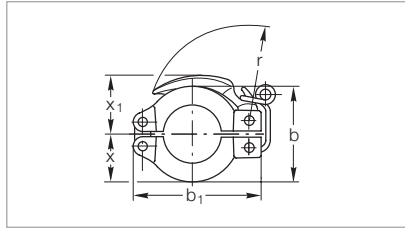
DN	ISO-KF	10/16	20/25	32/40	50
a	mm (in.)	45 (1.77)	55 (2.17)	70 (2.76)	92 (3.62)
b	mm (in.)	63 (2.48)	72 (2.83)	90 (3.54)	113 (4.45)
c	mm (in.)	16 (0.63)	16 (0.63)	16 (0.63)	20 (0.79)

Ordering Information

Aluminium	Part No.	183 41	183 42	183 43	183 45
Individually packed for USA	Part No.	210 041	210 042	210 043	210 045

Important: In the table of Chapter "General" the German designation for the type of steel is also stated in accordance with AISI.

Quick Clamping Rings (Aluminium 3.2582.05)



Dimensional drawing for the quick clamping rings

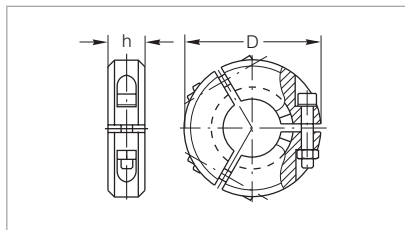
Technical Data

DN	ISO-KF	10/16	20/25	32/40
b	mm (in.)	45 (1.77)	55 (2.17)	70 (2.76)
b ₁	mm (in.)	61 (2.40)	72 (2.83)	90 (3.54)
r	mm (in.)	48 (1.89)	56 (2.20)	74 (2.91)
x	mm (in.)	22 (0.87)	27 (1.06)	35 (1.38)
x ₁	mm (in.)	30 (1.18)	34 (1.34)	44 (1.73)

Ordering Information

Aluminium	Part No.	183 46	183 47	183 48
-----------	----------	--------	--------	--------

Clamping Collars (Aluminium 3.2162.05) for Ultra Sealing Rings



Dimensional drawing for the clamping collars for ultra sealing rings

Technical Data

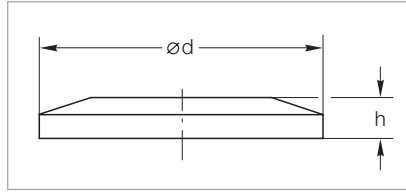
DN	ISO-KF	10/16	20/25	32/40	50
D	mm (in.)	52 (2.05)	75 (2.95)	90 (3.54)	115 (4.52)
h	mm (in.)	18 (0.71)	20 (0.79)	23 (0.90)	28 (1.10)
Hexagon socket screw to DIN 912	mm (in.)	M 4 x 30 (M 4 x 1.18)	M 6 x 30 (M 6 x 1.18)	M 8 x 35 (M 8 x 1.38)	M 8 x 50 (M 8 x 1.97)

Ordering Information

Aluminium	Part No.	882 75	882 77	882 78	882 79
-----------	----------	--------	--------	--------	--------

Important: In the table of Chapter "General" the German designation for the type of steel is also stated in accordance with AISI.

Blank Flanges (Al AW-6082-T6 / Stainless Steel 1.4301)



Dimensional drawing for the blank flanges

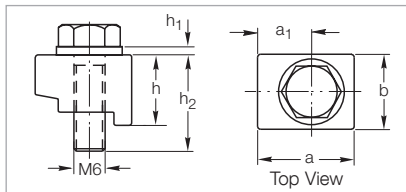
Technical Data

DN	ISO-KF	10	16	25	40	50
d	mm (in.)	30 (1.18)	30 (1.18)	40 (1.57)	55 (2.17)	75 (2.95)
h	mm (in.)	5 (0.20)	5 (0.20)	5 (0.20)	5 (0.20)	6 (0.24)

Ordering Information

Aluminium	Part No.	184 41	184 46	184 47	184 48	184 45
Stainless steel	Part No.	884 41	884 36	884 37	884 38	884 45

Claw, complete (Aluminium 3.2315.08)



Dimensional drawing for the claw, complete

Technical Data

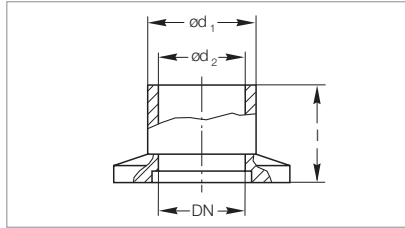
DN	ISO-KF	10 - 50
a	mm (in.)	19.5 (0.77)
a_1	mm (in.)	11.5 (0.45)
b	mm (in.)	14.0 (0.55)
h	mm (in.)	12.5 (0.49)
h_1	mm (in.)	1.6 (0.06)
h_2	mm (in.)	20.0 (0.79)

Ordering Information

Aluminium (Set of 4 pieces)	Part No.	885 00
-----------------------------	----------	--------

Important: In the table of Chapter "General" the German designation for the type of steel is also stated in accordance with AISI.

ISO-KF Flanges with Short Tubulation (Steel 1.0037 / Stainless Steel 1.4301)



Dimensional drawing for the ISO-KF flanges with short tubulation

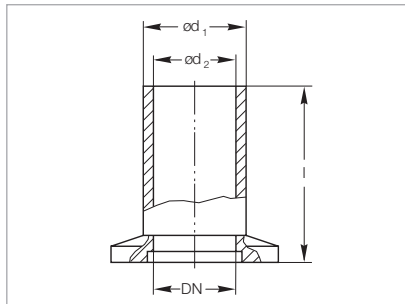
Technical Data

DN	ISO-KF	10	25	40	50
d_1 (Steel/Stainless steel)	mm (in.)	16/16 (0.63/0.63)	30/30 (1.18/1.18)	45/45 (1.77/1.77)	55/54 (2.17/2.13)
d_2 (Steel/Stainless steel)	mm (in.)	12/12 (0.47/0.47)	26/26 (1.02/1.02)	41/41 (1.61/1.61)	51/50 (2.01/1.97)
l	mm (in.)	20 (0.79)	20 (0.79)	20 (0.79)	20 (0.79)

Ordering Information

Steel	Part No.	182 31	182 33	182 34	182 35
Stainless steel	Part No.	866 31	866 33	866 34	866 35

ISO-KF Flanges with Long Tubulation (Steel 1.0037 / Stainless Steel 1.4301)



Dimensional drawing for the ISO-KF flanges with long tubulation

Technical Data

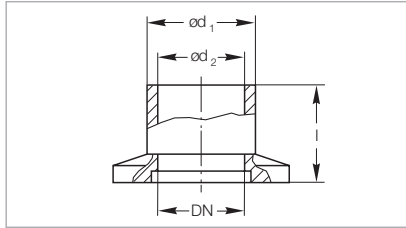
DN	ISO-KF	10	25	40	50
d_1 (Steel/Stainless steel)	mm (in.)	16/16 (0.63/0.63)	30/30 (1.18/1.18)	45/45 (1.77/1.77)	55/54 (2.17/2.13)
d_2 (Steel/Stainless steel)	mm (in.)	12/12 (0.47/0.47)	26/26 (1.02/1.02)	41/41 (1.61/1.61)	51/50 (2.01/1.97)
l	mm (in.)	70 (2.76)	70 (2.76)	70 (2.76)	70 (2.76)

Ordering Information

Steel	Part No.	182 81	182 83	182 84	182 85
Stainless steel	Part No.	866 81	866 83	866 84	866 85

Important: In the table of Chapter "General" the German designation for the type of steel is also stated in accordance with AISI.

ISO-KF Flanges with Short Tubulation (Steel 1.0037 / Stainless Steel 1.4301)



Dimensional drawing for the ISO-KF flanges with short tubulation

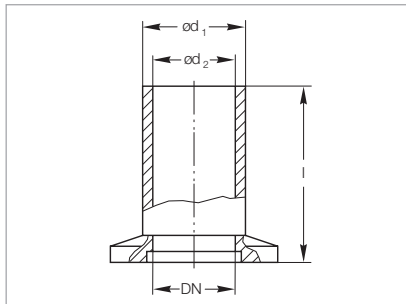
Technical Data

DN	ISO-KF	10	16	25	40	50
d_1	mm	14	20	28	44.5	57
	(in.)	(0.55)	(0.79)	(1.10)	(1.75)	(2.24)
d_2	mm	10	16	24	40.5	50.6
	(in.)	(0.39)	(0.63)	(0.94)	(1.59)	(1.99)
l	mm	20	20	20	20	20
	(in.)	(0.79)	(0.79)	(0.79)	(0.79)	(0.79)

Ordering Information

Steel	Part No.	182 31D	182 32	182 33D	182 34D	182 35D
Stainless steel	Part No.	866 31D	866 32	866 33D	866 34D	866 35D

ISO-KF Flanges with Long Tubulation (Steel 1.0037 / Stainless Steel 1.4301)



Dimensional drawing for the ISO-KF flanges with long tubulation

Technical Data

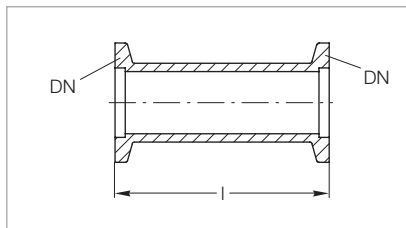
DN	ISO-KF	10	16	25	40	50
d_1	mm	14	20	28	44.5	57
	(in.)	(0.55)	(0.79)	(1.10)	(1.75)	(2.24)
d_2	mm	10	16	24	40.5	50.6
	(in.)	(0.39)	(0.63)	(0.94)	(1.59)	(1.99)
l	mm	70	70	70	70	70
	(in.)	(2.76)	(2.76)	(2.76)	(2.76)	(2.76)

Ordering Information

Steel	Part No.	182 81D	182 82	182 83D	182 84D	182 85D
Stainless steel	Part No.	866 81D	866 82	866 83D	866 84D	866 85D

Important: In the table of Chapter "General" the German designation for the type of steel is also stated in accordance with AISI.

Intermediate Pieces (Al AW-6082-T6 / Stainless Steel 1.4301)



Dimensional drawing for the intermediate pieces

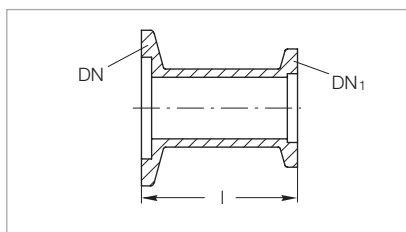
Technical Data

DN	ISO-KF	16	25	40
l	mm (in.)	80 (3.15)	100 (3.94)	130 (5.12)

Ordering Information

Aluminium	Part No.	184 80	184 81	184 82
Stainless steel	Part No.	884 17	884 18	884 19

Reducers (Al AW-6082-T6 / Stainless Steel 1.4301)



Dimensional drawing for the reducers

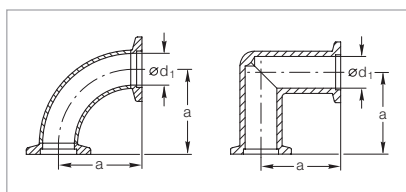
Technical Data

DN/DN ₁	ISO-KF	25/16	40/16	40/25	50/40
l	mm (in.)	40 (1.57)	40 (1.57)	40 (1.57)	40 (1.57)

Ordering Information

Aluminium	Part No.	183 86	183 89	183 87	183 88
Stainless steel	Part No.	885 04	885 07	885 05	885 06

Pipe Bend 90° (Stainless Steel 1.4301) / Mitred Elbow 90° (Aluminium 3.2315.08)



Dimensional drawings for the pipe bends 90° (stainless steel, left) and the mitred elbows 90° (aluminium, right)

Technical Data

DN	ISO-KF	16	16	25	25	40	40	50
a	mm (in.)	40 (1.57)	40 (1.57)	50 (1.97)	50 (1.97)	65 (2.56)	65 (2.56)	70 (2.76)
d ₁	mm (in.)	16 (0.63)	15 (0.59)	25 (0.98)	25 (0.98)	41 (1.62)	41 (1.62)	49 (1.93)
Conductance	l/s	6.5	-	18.9	-	56.5	-	-

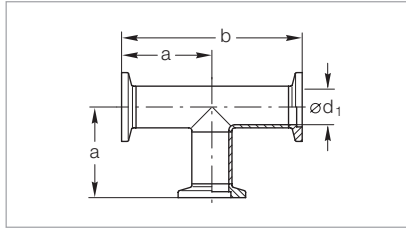
Ordering Information

Aluminium	Part No.	184 36	-	184 37	-	184 38	-	-
Stainless steel	Part No.	-	884 61	-	884 62	-	88464	884 65

Not suited for the mounting of turbo molecular pumps

Important: In the table of Chapter "General" the German designation for the type of steel is also stated in accordance with AISI.

Tees (Aluminium 3.2315.08 / Stainless Steel 1.4301)



Dimensional drawing for the tees

Technical Data

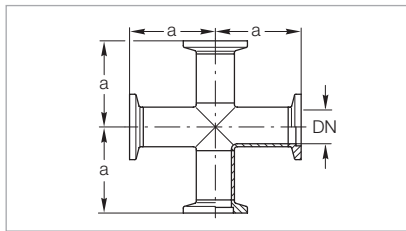
DN	ISO-KF	16	16	25	25	40	40	50
a	mm (in.)	40 (1.57)	40 (1.57)	50 (1.97)	50 (1.97)	65 (2.56)	65 (2.56)	70 (2.76)
b	mm (in.)	80 (3.15)	80 (3.15)	100 (3.94)	100 (3.94)	130 (5.12)	130 (5.12)	140 (5.51)
d ₁ (aluminium)	mm (in.)	16 (0.63)	-	25 (0.98)	-	39 (1.54)	-	-
d ₁ (stainless steel)	mm (in.)	-	16 (0.63)	-	25 (0.98)	-	41 (1.61)	53 (2.09)
Conductance	l/s	6.5	-	18.9	-	56.5	-	-

Ordering Information

Aluminium	Part No.	184 06	-	184 07	-	184 08	-	-
Stainless steel	Part No.	-	884 71	-	884 72	-	884 74	884 75

Not suited for the mounting of turbo molecular pumps

4-Way Crosses (Aluminium 3.2315.08 / Stainless Steel 1.4301)



Dimensional drawing for the 4-way crosses

Technical Data

DN	ISO-KF	16	16	25	25	40	40	50
a	mm (in.)	40 (1.57)	40 (1.57)	50 (1.97)	50 (1.97)	65 (2.56)	65 (2.56)	70 (2.76)
Conductance	l/s	6.5	-	18.9	-	56.5	-	-

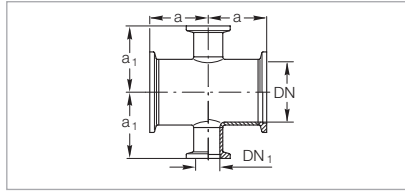
Ordering Information

Aluminium	Part No.	184 71	-	184 74	-	184 75	-	-
Stainless steel	Part No.	-	884 85	-	884 86	-	884 87	884 88

Not suited for the mounting of turbo molecular pumps

Important: In the table of Chapter "General" the German designation for the type of steel is also stated in accordance with AISI.

4-Way Reducer Crosses with lateral DN 16 Flanges (Aluminium 3.2315.08 / Stainless Steel 1.4301)



Dimensional drawing for the 4-way reducer crosses with lateral DN 16 flanges

Technical Data

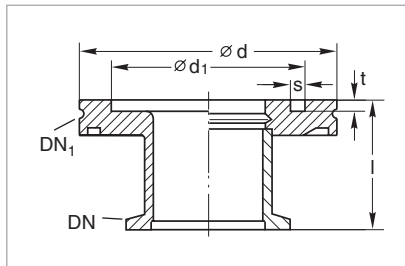
DN/DN ₁	ISO-KF	25/16	40/16	50/16
a	mm (in.)	35 (1.38)	40 (1.57)	50 (1.97)
a ₁	mm (in.)	35 (1.38)	45 (1.77)	(1.97)

Ordering Information

Material	Part No.	184 57	184 58	-
Aluminium	Part No.	184 57	184 58	-
Stainless steel	Part No.	884 96	884 97	884 98

Not suited for the mounting of turbo molecular pumps

Adaptors/Reducers ISO-KF – ISO-K



Dimensional drawing for the adaptor reducers ISO-KF – ISO-K;
left: aluminium; right: stainless steel

Technical Data

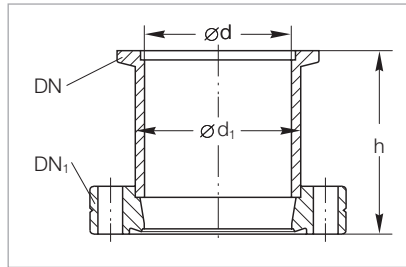
DN	ISO-KF	40	50	40
DN ₁	ISO-K	63	63	100
d	mm (in.)	95 (3.74)	95 (3.74)	130 (5.12)
d ₁	mm (in.)	70 (2.76)	70 (2.76)	102 (4.02)
l	mm (in.)	40 (1.57)	45 (1.77)	40 (1.57)
s	mm (in.)	5 (0.2)	5 (0.2)	5 (0.2)
t	mm (in.)	4.5 (0.18)	4.5 (0.18)	4.5 (0.18)
Weight	kg (lbs)	0.5 (1.10)	0.6 (1.32)	0.8 (1.77)

Ordering Information

Material	Part No.	887 40	887 41	887 42
Stainless steel 1.4305	Part No.	887 40	887 41	887 42
Aluminium 3.2315.71	Part No.	269 40	269 41	-

Important: In the table of Chapter "General" the German designation for the type of steel is also stated in accordance with AISI.

Adaptors ISO-KF – CF (Stainless Steel 1.4301)



Dimensional drawing for the adaptors CF – ISO-KF

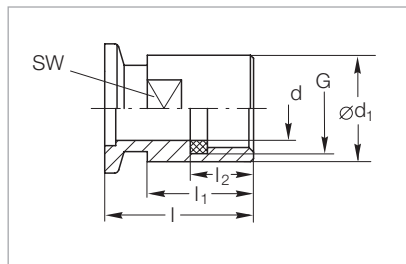
Technical Data

DN	ISO-KF	16	25	16	25	40	40
DN ₁	CF	16	16	40	40	40	63
d	mm (in.)	16 (0.63)	16 (0.63)	16 (0.63)	26 (1.02)	37 (1.36)	41 (1.61)
h	mm (in.)	35 (1.38)	35 (1.38)	30 (1.18)	30 (1.18)	50 (1.97)	35 (1.38)
d ₁ (tube)	mm (in.)	20 (0.79)	20 (0.79)	20 (0.79)	30 (1.18)	41 (1.61)	45 (1.77)

Ordering Information

Stainless steel DIN 1.4301	Part No.	837 81	837 83	837 82	837 84	837 36	837 86
----------------------------	----------	--------	--------	--------	--------	--------	--------

Screw-on Flanges (Stainless Steel 1.4305 / FPM (FKM))



Dimensional drawing for the screw-on flanges

Technical Data

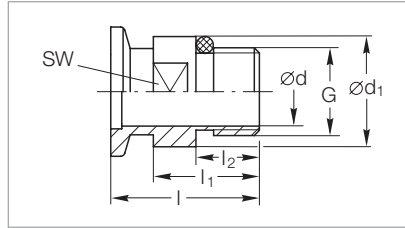
DN	ISO-KF	10	16	25	40
l	mm (in.)	35 (1.34)	35 (1.34)	45 (1.77)	50 (1.97)
l ₁	mm (in.)	25 (0.98)	25 (0.98)	35 (1.34)	40 (1.57)
l ₂	mm (in.)	15 (0.59)	15 (0.59)	25 (0.98)	30 (1.18)
d	mm (in.)	10 (0.39)	15 (0.59)	24 (0.94)	38 (1.50)
d ₁	mm (in.)	20 (0.79)	25 (0.98)	39 (1.54)	54 (2.13)
G (according to DIN ISO 228-1)		G 3/8	G 1/2	G 1	G 1 1/2
SW (width across flats)	mm (in.)	17 (0.67)	21 (0.83)	36 (1.42)	50 (1.97)

Ordering Information

Stainless steel	Part No.	884 25	884 26	884 27	884 28
-----------------	----------	--------	--------	--------	--------

Important: In the table of Chapter "General" the German designation for the type of steel is also stated in accordance with AISI.

Screw-in Flanges (Stainless Steel 1.4301 / FPM (FKM))



Dimensional drawing for the screw-in flanges

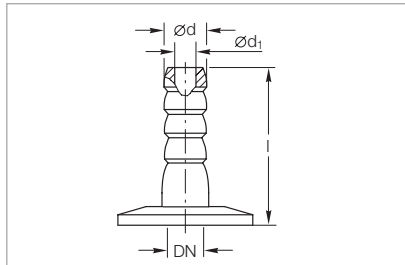
Technical Data

DN	ISO-KF	10	16	16	16	16	25	40
l	mm (in.)	35 (1.34)	20 (0,79)	26 (1.02)	35 (1.34)	42 (1.65)	45 (1.77)	50 (1.97)
l₁	mm (in.)	25 (0.98)	–	–	25 (0.98)	–	35 (1.34)	40 (1.57)
l₂	mm (in.)	15 (0.59)	–	8 (0.31)	15 (0.59)	11,5 (0.45)	25 (0.98)	30 (1.18)
d	mm (in.)	12 (0.47)	7 (0.28)	5 (0.20)	16 (0.63)	5 (0.20)	25 (0.98)	41 (1.61)
d₁	mm (in.)	22 (0.87)	–	16 (0.63)	26 (1.02)	–	39 (1.54)	54 (2.13)
M	mm (in.)	–	–	–	–	M 16 x 1,5 (M 16 x 0.06)	–	–
G (according to DIN ISO 228-1)		G 3/8	G 1/4	G 1/8	G 1/2	–	G 1	G 1 1/2
SW (width across flats)	mm (in.)	19 (0.75)	–	13 (0.51)	22 (0.87)	17 (0.67)	36 (1.42)	50 (1.97)

Ordering Information

Stainless steel 1.4301	Part No.	886 30	886010V01	160 26	886 31	168 40 V01	886 32	886 33
------------------------	----------	--------	-----------	--------	--------	------------	--------	--------

ISO-KF Flanges with Hose Nozzles (Al AW-6082-T6 and Stainless Steel 1.4305)



Dimensional drawing for the ISO-KF flanges with hose nozzle

Technical Data

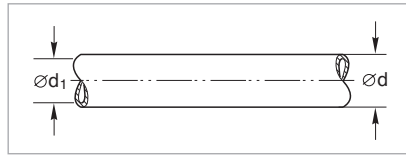
DN	ISO-KF	16	25	40
d	mm (in.)	12 (0.47)	12 (0.47)	12 (0.47)
d₁¹⁾	mm (in.)	7 (0.26)	7 (0.26)	7 (0.26)
l	mm (in.)	40 (1.57)	40 (1.57)	40 (1.57)

Ordering Information

Aluminium	Part No.	182 90	182 91	182 92
Stainless steel	Part No.	885 14	885 08	885 09

¹⁾ Also recommended inside diameter for the hose

Rubber Vacuum Hoses (NR) for Hose Nozzles



Dimensional drawing for rubber vacuum hoses

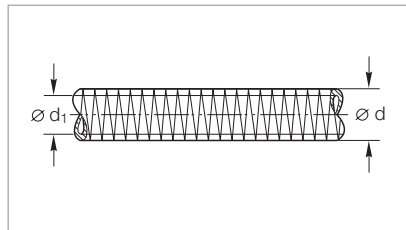
Technical Data

DN	ISO-KF	10	16	20
d	mm (in.)	17 (0.66)	25 (0.98)	32 (1.26)
d ₁	mm (in.)	7 (0.28)	10 (0.39)	16 (0.63)
Length	m (in.)	by the metre	by the metre	by the metre
Hardness – Shore A –		55 ±5	55 ±5	55 ±5
Temperature range	°C (°F)	-30 to +85 (-22 to +185)	-30 to +85 (-22 to +185)	-30 to +85 (-22 to +185)

Ordering Information

Rubber vacuum hose	Part No.	172 02	172 03	172 04
--------------------	----------	--------	--------	--------

PVC Coiled Vacuum Hoses without Flanges



Dimensional drawing for the PVC vacuum hoses

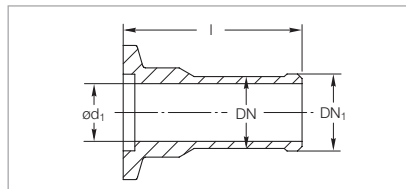
Technical Data

DN	ISO-KF	16	25	40
d	mm (in.)	23 (0.91)	33 (1.30)	53 (2.09)
d ₁	mm (in.)	16 (0.63)	25 (0.98)	40 (1.57)
Length	m (in.)	by the metre	by the metre	by the metre

Ordering Information

PVC coiled vacuum hose	Part No.	172 41	172 42	172 43
------------------------	----------	--------	--------	--------

ISO-KF Flanges with Hose Nozzle (Aluminium AW-6082-T6)



Dimensional drawing for the ISO-KF flanges with hose nozzle

Technical Data

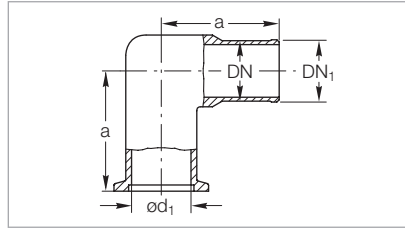
DN	ISO-KF	16	25	40
DN ₁ (tube)	mm (in.)	17 (0.67)	26 (1.02)	41 (1.61)
d ₁	mm (in.)	13 (0.51)	22 (0.87)	37 (1.46)
l	mm (in.)	40 (1.57)	40 (1.57)	40 (1.57)

Ordering Information

Aluminium	Part No.	182 45	182 46	182 47
-----------	----------	--------	--------	--------

Important: In the table of Chapter "General" the German designation for the type of steel is also stated in accordance with AISI.

Elbows 90° with Hose Nozzle (Aluminium 3.2381.02)



Dimensional drawing for the elbows 90° with hose nozzle

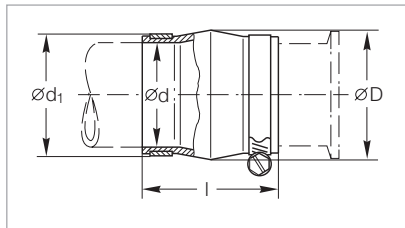
Technical Data

DN	ISO-KF	16	25	40
DN ₁ (tube)	mm (in.)	17 (0.67)	26 (1.02)	41 (1.61)
a	mm (in.)	40 (1.57)	50 (1.97)	65 (2.56)
d ₁	mm (in.)	16 (0.63)	25 (0.98)	39 (1.54)

Ordering Information

Aluminium	Part No.	182 15	182 16	182 17
-----------	----------	--------	--------	--------

CR Compensation Elements with Integrated Support Ring



Dimensional drawing for the compensation elements with integrated support ring

Technical Data

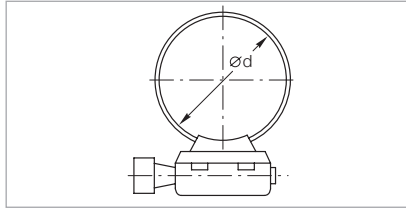
DN	ISO-KF	16	25	40
D	mm (in.)	44 (1.73)	50 (1.97)	68 (2.68)
d (tube tolerance)	mm (in.)	16 (0.63)	25 (0.98)	40 (1.57)
d ₁	mm (in.)	24 (0.94)	33 (1.30)	48 (1.89)
l	mm (in.)	58 (2.28)	60 (2.36)	64 (2.52)
Leak rate	mbar x l x s ⁻¹	≤ 1 x 10 ⁻⁵	≤ 1 x 10 ⁻⁵	≤ 1 x 10 ⁻⁵

Ordering Information

Stainless steel/CR	Part No.	182 78 ¹⁾	182 79 ¹⁾	182 80 ¹⁾
--------------------	----------	----------------------	----------------------	----------------------

¹⁾ Is supplied complete with stainless steel hose clamps

Hose Clamps (Stainless Steel 1.4301)



Dimensional drawing for the hose clamps

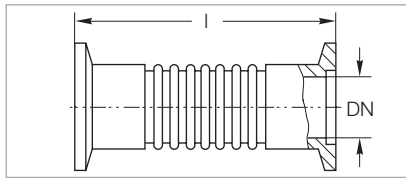
Technical Data

DN	ISO-KF	16	25	40
d (min. / max.)	mm (in.)	13 / 32 (0.51 / 1.26)	19 / 44 (0.75 / 1.73)	29 / 76 (1.14 / 2.99)

Ordering Information

Stainless steel	Part No.	866 21	866 22	866 23
-----------------	----------	--------	--------	--------

Bellows (Stainless Steel 1.4571) with Flanges (Stainless Steel 1.4301)



Dimensional drawing for the bellows with flanges

Technical Data

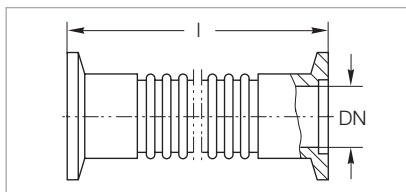
DN	ISO-KF	16	25	40	50
l	mm (in.)	70 (2.76)	80 (3.15)	100 (3.94)	100 (3.94)
Wall thickness	mm (in.)	0.13 (0.005)	0.13 (0.005)	0,15 (0.006)	0,2 (0.008)
Compression	mm (in.)	6.5 (0.26)	8 (0.31)	11 (0.43)	10 (0.39)
Tension	mm (in.)	4 (0.16)	5 (0.20)	7 (0.28)	6 (0.24)
max. angle	degrees ¹⁾	±21	±17	±15	±15
Lateral motion	mm (in.)	±4 (±0.16)	±3,5 (±0.14)	±7 (±0.28)	±8 (±0.31)

Ordering Information

Stainless steel	Part No.	872 41	872 43	872 45	872 46
-----------------	----------	--------	--------	--------	--------

¹⁾ When utilizing the maximum bending angle, no extension along the axial axis will be possible!

Vacuum Hoses ¹⁾ with Flanges (Stainless Steel 1.4571)



Dimensional drawing for the vacuum hoses with flanges

Technical Data

DN	ISO-KF	16	25	40	50
Max. bending radius (inside)					
with multiple bending	mm (in.)	68.5 (2.70)	103 (4.06)	129 (5.08)	198 (7.80)
with single bend	mm (in.)	50 (1.97)	63 (2.48)	100 (3.94)	130 (5.12)
Wall thickness	mm (in.)	0.2 (0.008)	0.2 (0.008)	0.2 (0.008)	0.3 (0.012)

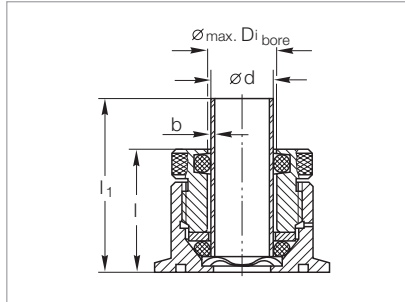
Ordering Information

l = 250 mm (9.84 in.)	Part No.	867 81	867 83	867 85	867 86
l = 500 mm (19.69 in.)	Part No.	867 91	867 93	867 95	867 96
l = 750 mm (29.53 in.)	Part No.	867 41	867 43	867 45	867 46
l = 1000 mm (39.37 in.)	Part No.	868 01	868 03	868 05	868 06

¹⁾ Flexible vacuum hoses must be linked to an external mechanical assembly

Important: In the table of Chapter "General" the German designation for the type of steel is also stated in accordance with AISI.

ISO-KF Flanges with Compression Fitting for Glass/Metal/Plastic Tubes (Aluminium 3.061571/FPM (FKM))



Dimensional drawing for the ISO-KF flanges with compression fitting

Only for pressure ≤ 1000 mbar (≤ 750 Torr)

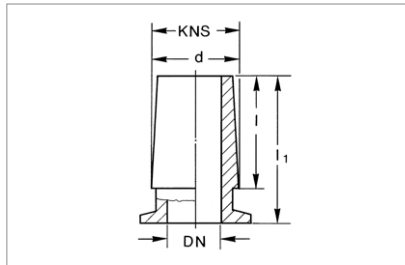
Technical Data

DN	ISO-KF	10	40
b	mm (in.)	1.5 (0.06)	1.5 (0.06)
d (glass)	mm (in.)	10 (0.39)	26 (1.02)
l	mm (in.)	30 (1.18)	45 (1.77)
l_1	mm (in.)	50 (1.97)	65 (2.56)
$Di_{\text{bore-max.}}$	± 0.2 mm (± 0.008 in.)	11 (0.43)	27 (1.06)

Ordering Information

Compression fitting	Part No.	184 61	184 66
Sealing set (FPM (FKM)) for high temperatures (150 °C (302 °F)) (set = 10 pcs)	Part No.	ES 105 94	ES 210 610

ISO-KF Flanges with Ground Cone (Stainless Steel 1.4301)



Dimensional drawing for the ISO-KF flanges with ground cone

Technical Data

DN	ISO-KF	16	25	40
KNS - d / l	mm (in.)	19 / 26 (0.75 / 1.02)	29 / 32 (1.14 / 1.26)	45 / 40 (1.77 / 1.57)
l_1	mm (in.)	40 (1.57)	45 (1.77)	55 (2.17)
Taper		1:10	1:10	1:10

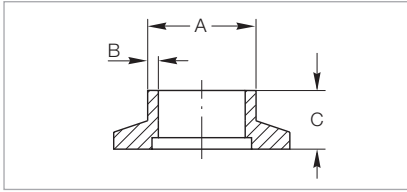
Ordering Information

Stainless steel	Part No.	184 87	184 85	184 86
-----------------	----------	--------	--------	--------

Important: In the table of Chapter "General" the German designation for the type of steel is also stated in accordance with AISI.

Only available for purchase in North and South America

ISO-KF Flanges with Short Weld Stub, Standard-Inch Diameters



Dimensional drawing for the ISO-KF flanges with short weld stub

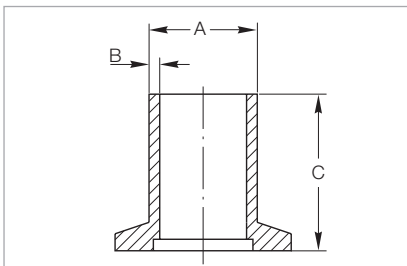
Technical Data

DN	ISO-KF	25	40	50
∅ A	mm (in.)	25.4 (1.00)	38.1 (1.50)	50.8 (2.00)
B	mm (in.)	1.7 (0.07)	2.1 (0.08)	2.1 (0.08)
C	mm (in.)	12.7 (0.50)	19.0 (0.75)	19.0 (0.75)
Tube fitting O.D. size		1"	1 1/2"	2"

Ordering Information

Stainless steel	Part No.	899 612	899 614	899 615
-----------------	----------	---------	---------	---------

ISO-KF Flanges with Long Weld Stub, Standard-Inch Diameters



Dimensional drawing for the ISO-KF flanges with long weld stub

Technical Data

DN	ISO-KF	16	25	40
∅ A	mm (in.)	19.0 (0.75)	25.4 (1.00)	38.1 (1.50)
B	mm (in.)	1.7 (0.07)	1.7 (0.07)	2.1 (0.08)
C	mm (in.)	40.0 (1.58)	40.0 (1.58)	40.0 (1.58)
Tube fitting O.D. size		3/4"	1"	1 1/2"

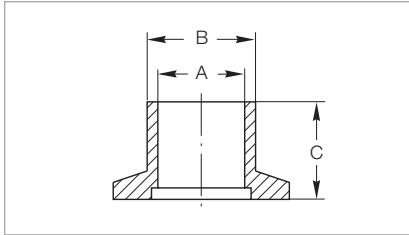
Ordering Information

Stainless steel	Part No.	899 621	899 622	899 624
-----------------	----------	---------	---------	---------

Important: In the table of Chapter "General" the German designation for the type of steel is also stated in accordance with AISI.

Only available for purchase in North and South America

ISO-KF Flanges with Weld Stub, Metric Diameters



Dimensional drawing for the ISO-KF flanges
with weld stub

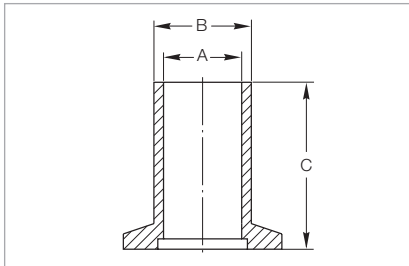
Technical Data

DN	ISO-KF	16	25	40	50
∅ A	mm (in.)	16 (0.63)	25 (0.98)	40 (1.58)	50 (1.97)
B	mm (in.)	20 (0.79)	28 (1.10)	45 (1.77)	55 (2.17)
C	mm (in.)	16 (0.63)	19 (0.75)	25 (0.98)	25 (0.98)

Ordering Information

Stainless steel	Part No.	884 21	884 22	884 23	883 85
-----------------	----------	--------	--------	--------	--------

ISO-KF Flanges with Weld Neck, Metric Diameters



Dimensional drawing for the ISO-KF flanges
with weld neck

Technical Data

DN	ISO-KF	16	25	40
∅ A	mm (in.)	16 (0.63)	25 (0.98)	40 (1.58)
B	mm (in.)	20 (0.79)	28 (1.10)	45 (1.77)
C	mm (in.)	57 (2.25)	57 (2.25)	57 (2.25)

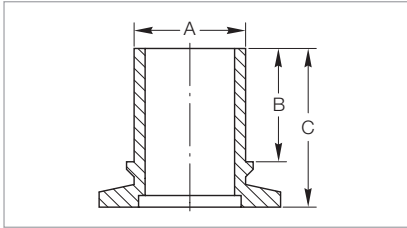
Ordering Information

Stainless steel	Part No.	884 31	884 32	884 33
-----------------	----------	--------	--------	--------

Important: In the table of Chapter "General" the German designation for the type of steel is also stated in accordance with AISI.

Only available for purchase in North and South America

ISO-KF Flanges for Tube Fittings, Male



Dimensional drawing for the ISO-KF flanges
for tube fittings, male

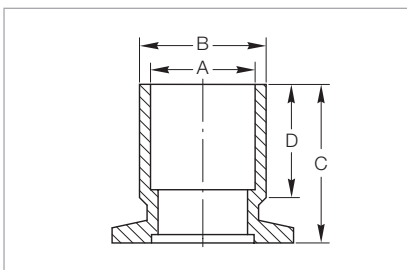
Technical Data

DN	ISO-KF	16	25	40	40
∅ A	mm (in.)	19.0 (0.75)	29.0 (1.13)	44.5 (1.75)	41.0 (1.63)
B	mm (in.)	17.5 (0.69)	29.0 (1.13)	29.0 (1.13)	29.0 (1.13)
C	mm (in.)	29.0 (1.13)	35.0 (1.38)	46.0 (1.81)	46.0 (1.81)
Tube fitting I.D. size		3/4"	1 1/8"	1 3/4"	1 5/8"

Ordering Information

Brass	Part No.	910280119	910280120	910280126	910280121
-------	----------	-----------	-----------	-----------	-----------

ISO-KF Flanges for Tube Fittings, Female



Dimensional drawing for the ISO-KF flanges
for tube fittings, female

Technical Data

DN	ISO-KF	16	25	40	40
∅ A	mm (in.)	19.0 (0.75)	29.0 (1.13)	54.0 (2.13)	41.0 (1.63)
∅ B	mm (in.)	22.0 (0.88)	32.0 (1.25)	57.0 (2.24)	44.5 (1.75)
C	mm (in.)	25.4 (1.00)	35.0 (1.38)	35.0 (1.38)	35.0 (1.38)
D	mm (in.)	13.0 (0.50)	17.0 (0.67)	16.0 (0.63)	19.0 (0.75)
Tube fitting O.D. size		3/4"	1 1/8"	2 1/8"	1 5/8"

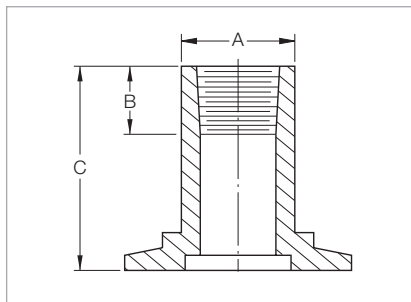
Ordering Information

Brass	Part No.	910280122	910280123	910280124	910280125
-------	----------	-----------	-----------	-----------	-----------

Important: In the table of Chapter "General" the German designation for the type of steel is also stated in accordance with AISI.

Only available for purchase in North and South America

ISO-KF/NPT Female Adaptor



Dimensional drawing
for the ISO-KF/NPT female adaptors

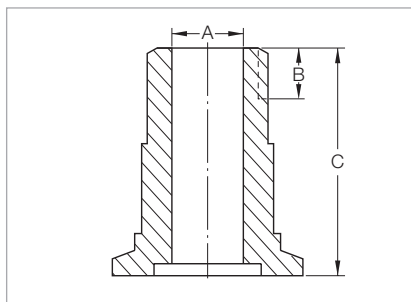
Technical Data

DN	ISO-KF	16	25	40	
∅ A	mm (in.)	16.0 (0.62)	25.0 (1.00)	38.0 (1.50)	
B	mm (in.)	10.0 (0.39)	10.0 (0.39)	10.0 (0.39)	
C	mm (in.)	25.4 (1.00)	25.4 (1.00)	25.4 (1.00)	
Pipe size	NPT	1/8"	1/4"	1/8"	1/4"

Ordering Information

Stainless steel	Part No.	899 604	899 643	899 605	899 644	899 606	899 645
-----------------	----------	---------	---------	---------	---------	---------	---------

ISO-KF/NPT Male Adaptor



Dimensional drawing
for the ISO-KF/NPT male adaptors

Technical Data

DN	ISO-KF	16	25	25
∅ A	mm (in.)	9.5 (0.38)	16.0 (0.63)	23.8 (0.94)
B	mm (in.)	10.0 (0.40)	13.5 (0.53)	17.0 (0.68)
C	mm (in.)	38.0 (1.50)	46.0 (1.81)	63.5 (2.50)
Pipe size	NPT	1/4"	1/2"	1"

Ordering Information

Carbon steel	Part No.	899 601	899 602	899 626
Stainless steel	Part No.	992780678	-	-

Technical Data

DN	ISO-KF	40	40	40	40
∅ A	mm (in.)	25.4 (1.00)	31.8 (1.25)	38.1 (1.50)	38.2 (1.50)
B	mm (in.)	17.0 (0.68)	18.0 (0.71)	18.4 (0.72)	19.2 (0.76)
C	mm (in.)	50.8 (2.00)	63.5 (2.50)	63.5 (2.50)	63.5 (2.50)
Pipe size	NPT	1"	1 1/4"	1 1/2"	2"

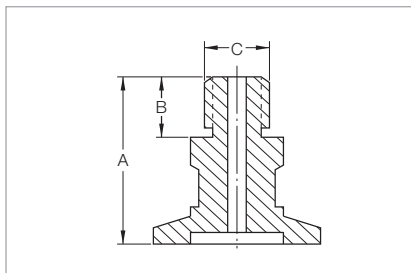
Ordering Information

Stainless steel	Part No.	899 603	899 627	899 628	899 629
-----------------	----------	---------	---------	---------	---------

Important: In the table of Chapter "General" the German designation for the type of steel is also stated in accordance with AISI.

Only available for purchase in North and South America

ISO-KF/Metric Adaptor



Dimensional drawing for the ISO-KF/
metric adaptors

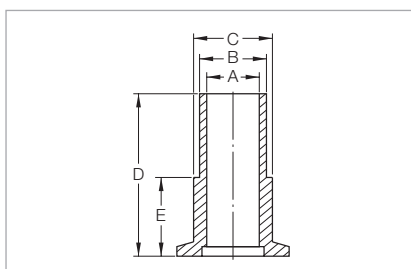
Technical Data

DN	ISO-KF	16
A	mm (in.)	50.8 (2.00)
B	mm (in.)	12.7 (0.50)
∅ C / thread	mm (in.)	M 16 x 1.5 (M 16 x 0.06)

Ordering Information

Carbon steel	Part No.	99258004
--------------	----------	-----------------

Hose Adaptor



Dimensional drawing for the hose adaptors

Technical Data

DN	ISO-KF	16	25	40
∅ A	mm (in.)	16.0 (0.63)	21.0 (0.81)	32.0 (1.2)
∅ B	mm (in.)	19.5 (0.77)	26.0 (1.02)	39.0 (1.54)
∅ C	mm (in.)	20.0 (0.79)	28.0 (1.10)	45.0 (1.77)
D	mm (in.)	29.0 (1.13)	29.0 (1.13)	29.0 (1.13)
E	mm (in.)	13.0 (0.50)	13.0 (0.50)	13.0 (0.50)
Nominal I.D. hose		3/4"	1"	1 1/2"

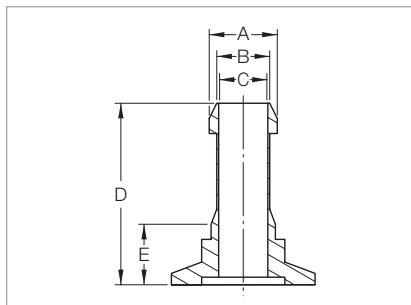
Ordering Information

Stainless steel	Part No.	992780668	992780670	992780672
-----------------	----------	------------------	------------------	------------------

Important: In the table of Chapter "General" the German designation for the type of steel is also stated in accordance with AISI.

Only available for purchase in North and South America

ISO-KF Nipples, American Standard



Dimensional drawing for the ISO-KF nipples
american standard

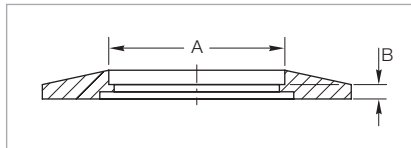
Technical Data

DN	ISO-KF	16	16	25
∅ A	mm (in.)	9.5 (0.38)	16.1 (0.64)	16.1 (0.64)
∅ B	mm (in.)	7.6 (0.30)	14.3 (0.56)	14.3 (0.56)
∅ C	mm (in.)	5.6 (0.22)	11.9 (0.47)	11.9 (0.47)
D	mm (in.)	40.0 (1.58)	40.0 (1.58)	40.0 (1.58)
E	mm (in.)	12.7 (0.50)	12.7 (0.50)	12.7 (0.50)
Tube fitting O.D. size		1/4"	1/2"	1/2"

Ordering Information

Stainless steel	Part No.	899 674	899 675	899 676
-----------------	----------	---------	---------	---------

Flanges with Welded Socket



Dimensional drawing for the flanges
with welded sockets

Technical Data

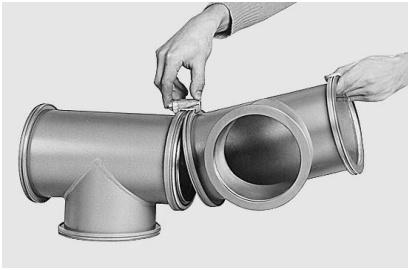
DN	ISO-KF	25	40
∅ A	mm (in.)	26.2 (1.03)	41.1 (1.62)
B	mm (in.)	3.0 (0.12)	3.0 (0.12)
Tube fitting O.D. size		1"	1 1/2"

Ordering Information

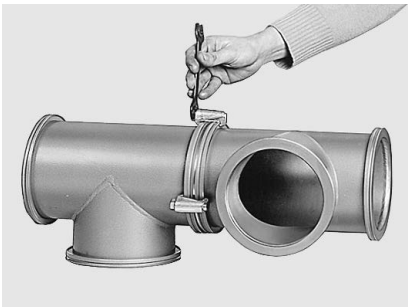
Stainless steel	Part No.	899 632	899 634
-----------------	----------	---------	---------

Important: In the table of Chapter "General" the German designation for the type of steel is also stated in accordance with AISI.

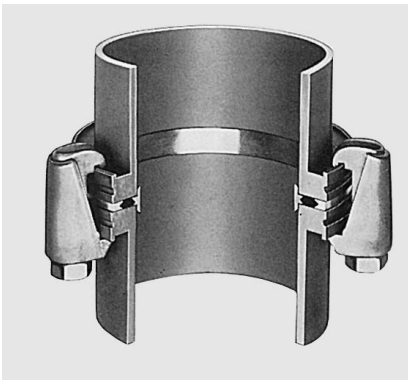
ISO-K Clamp Flange Fittings and Components



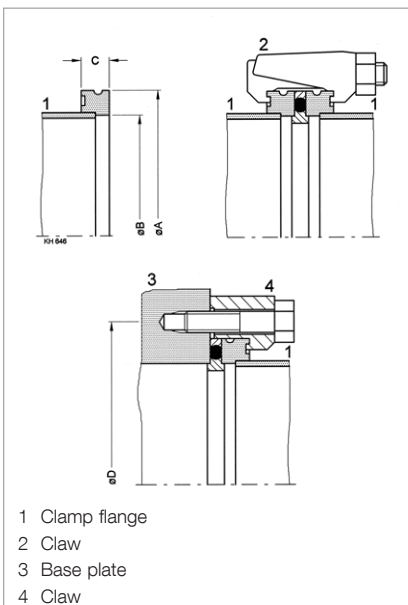
Attaching a clamp flange component and fitting of the clamp



Tightening the clamping bolt



ISO-K clamp flange connection



Flange Components DN 63 to DN 630 ISO-K (to DIN 28 404 in line with ISO 1609/3669)

The clamp flange connection was introduced to the vacuum industry by Leybold. Since the fitting of clamp flanges does not depend on any bolt holes in the flange, these components may be installed in any orientation.

Advantages to the User

- Quick to fit
- Safe and reliable
- Can be turned in any direction
- Easy to disassemble, thus easy to clean
- Suitable for pressures down to 10^{-7} mbar (0.75×10^{-7} Torr) when using O-rings and down to 10^{-9} mbar (0.75×10^{-9} Torr) when using metal gaskets
- Easily adaptable to other flange systems
- Mounted by means of clamps (ISO-K) or collar flange with retaining ring (ISO-F, DIN EN 1092-1)
- Clamp flange components are used with CR or FPM (FKM) gaskets or with ultra sealing disks made of aluminium
- Degassing temperatures

for CR, max. 100 °C (212 °F)
for FPM (FKM), max. 150 °C (302 °F)
for the ultra sealing disk, max.
200 °C (392 °F)

The pressure range for the application depends in each case on the sealing method which is used and is thus limited for ultra sealing disks to 10^{-9} mbar (0.75×10^{-9} Torr), for FPM (FKM) gaskets to 10^{-8} mbar (0.75×10^{-8} Torr) and for CR sealed components to 10^{-7} mbar (0.75×10^{-7} Torr).

Flexible Compensation Elements (CR)

Vacuum systems and pump systems often require components which are capable of protecting sensitive instruments against impacts or excessive vibrations while linking tubes at the same time.

Advantages to the User

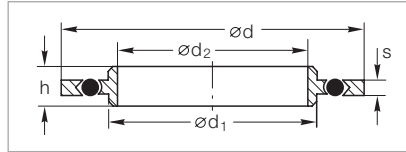
- Easy and quick to install
- Safe and reliable
- Tubes may be turned in any direction
- No centering ring and sealing ring is needed since the seal is provided by the smooth tube surface
- Capable of withstanding temperatures up to 100 °C (212 °F)
- Suitable for pressures down to 10^{-5} mbar (0.75×10^{-5} Torr)

Technical Data

Nominal diameter		A	B	C	Number of clamps	D	Screws for claws	Number of claws
DN 63 ISO-K	mm	95	70	12	4	110	M 8 x 35	4
	in.	3.74	2.76	0.47		4.33	M 8 x 1.38	
DN 100 ISO-K	mm	130	102	12	4	145	M 8 x 35	8
	in.	5.12	4.02	0.47		5.71	M 8 x 1.38	
DN 160 ISO-K	mm	180	153	12	4	200	M 10 x 35	8
	in.	7.09	6.02	0.47		7.87	M 10 x 1.38	
DN 200 ISO-K	mm	240	213	12	6	260	M 10 x 35	12
	in.	9.45	8.39	0.47		10.24	M 10 x 1.38	
DN 250 ISO-K	mm	290	261	12	6	310	M 10 x 35	12
	in.	11.42	10.28	0.47		12.20	M 10 x 1.38	
DN 320 ISO-K	mm	370	318	17	8	395	M 12 x 50	12
	in.	14.57	12.52	0.67		15.55	M 12 x 1.97	
DN 400 ISO-K	mm	450	400	17	8	480	M 12 x 50	16
	in.	17.72	15.75	0.67		18.90	M 12 x 1.97	
DN 500 ISO-K	mm	550	501	17	12	580	M 12 x 50	16
	in.	21.65	19.72	0.67		22.83	M 12 x 1.97	
DN 630 ISO-K	mm	690	651	22	12	720	M 12 x 55	20
	in.	27.17	25.63	0.87		28.35	M 12 x 2.17	

Important: In the table of Chapter "General" the German designation for the type of steel is also stated in accordance with AISI.

Centering Rings (Aluminium AW-6082-T6 / Stainless Steel 1.4301) with O-Ring (CR/FPM (FKM))



Dimensional drawing for the centering rings with O-ring

Technical Data

DN	ISO-K	63	100	160	200	250
d	mm (in.)	96 (3.78)	128 (5.04)	179 (7.05)	239 (9.41)	287 (11.30)
d ₁	mm (in.)	70 (2.76)	102 (4.02)	153 (6.02)	213 (8.39)	261 (10.28)
d ₂	mm (in.)	67 (2.64)	99 (3.90)	150 (5.91)	210 (8.27)	258 (10.16)
h	mm (in.)	8 (0.31)	8 (0.31)	8 (0.31)	8 (0.31)	8 (0.31)
s	mm (in.)	3.9 (0.15)	3.9 (0.15)	3.9 (0.15)	3.9 (0.15)	3.9 (0.15)

Ordering Information

Aluminium/FPM (FKM)	Part No.	268 41	268 42	268 43	268 44	268 45
Aluminium/CR	Part No.	268 05	268 06	268 09	268 19	268 17
Stainless steel/FPM (FKM) ¹⁾	Part No.	887 03	887 04	887 07	887 02	887 08

Technical Data

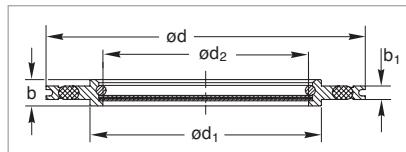
DN	ISO-K	320	400	500	630	800	1000
d	mm (in.)	358 (14.09)	440 (17.32)	541 (21.30)	691 (27.20)	840 (33.07)	1040 (40.94)
d ₁	mm (in.)	318 (12.52)	400 (15.75)	501 (19.72)	651 (25.63)	800 (31.50)	1000 (39.37)
d ₂	mm (in.)	313 (12.32)	395 (15.55)	496 (19.53)	646 (25.43)	795 (31.18)	995 (39.17)
h	mm (in.)	14 (0.55)	14 (0.55)	14 (0.55)	14 (0.55)	14 (0.55)	14 (0.55)
s	mm (in.)	5.6 (0.22)	5.6 (0.22)	5.6 (0.22)	5.6 (0.22)	5.6 (0.22)	5.6 (0.22)

Ordering Information

Aluminium/FPM (FKM)	Part No.	268 46	268 47	268 48	268 49	268 50	268 51
Aluminium/CR	Part No.	268 18	268 14	268 15	268 16	-	-

¹⁾ Inner ring: stainless steel, outer ring: aluminium

Centering Rings with Fine Filter (Stainless Steel 1.4301) and O-Ring (FPM (FKM))



Dimensional drawing for the centering rings with fine filter

Filter material: Stainless steel 1.4404, size of pores: 4 μm , separation grade: 1 μm particles to 98%

Technical Data

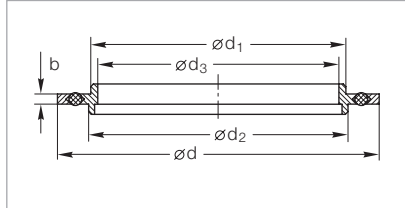
DN	ISO-K	63	100
b	mm (in.)	8 (0.31)	8 (0.31)
b ₁	mm (in.)	4 (0.16)	4 (0.16)
d	mm (in.)	96 (3.78)	128 (5.04)
d ₁	mm (in.)	70 (2.76)	102 (4.02)
d ₂	mm (in.)	62 (2.44)	94 (3.7)

Ordering Information

Stainless steel	Part No.	887 20	887 21
-----------------	----------	---------------	---------------

Important: In the table of Chapter "General" the German designation for the type of steel is also stated in accordance with AISI.

Centering Ring Adaptors (Aluminium) with O-Ring (FPM (FKM)), ISO-K – ISO-KF



Dimensional drawing for the centering ring adaptors with O-ring

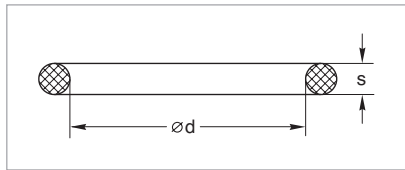
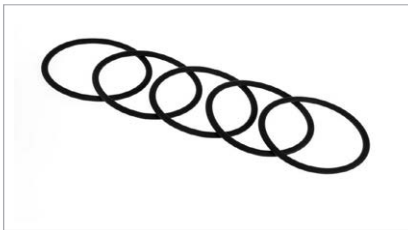
Technical Data

DN	ISO-K / ISO-KF	100 / 100	160 / 150	250 / 250
b	mm (in.)	4 (0.16)	4 (0.16)	4 (0.16)
d	mm (in.)	126 (4.96)	177 (6.97)	286 (11.26)
d ₁	mm (in.)	100 (3.94)	150 (5.91)	250 (9.84)
d ₂	mm (in.)	102 (4.02)	153 (6.02)	261 (10.28)
d ₃	mm (in.)	95 (3.74)	145 (5.71)	244 (9.61)

Ordering Information

Aluminium/FPM (FKM)	Part No.	105 25	105 35	105 45
---------------------	----------	--------	--------	--------

O-Ring Gaskets for Clamp Flange Fittings



Dimensional drawing for the spare O-ring for clamp flange fittings

Technical Data

DN	ISO-K	63	100	160	200	250	320
d	mm (in.)	75 (2.95)	107 (4.21)	158 (6.22)	208 (8.19)	253 (9.96)	329 (12.95)
s	mm (in.)	5 (0.20)	5 (0.20)	5 (0.20)	5 (0.20)	5 (0.20)	7 (0.28)
Quantity per set		5	5	5	5	5	1

Ordering Information

FPM (FKM)	Part No.	ES210635	ES210645	ES210650	ES210655	ES210660	E210665
-----------	----------	----------	----------	----------	----------	----------	---------

Technical Data

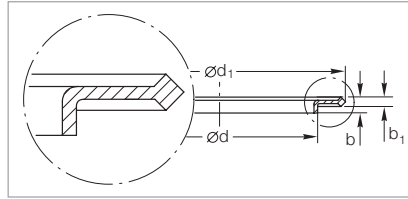
DN	ISO-K	400	500
d	mm (in.)	405 (15.94)	506 (19.92)
s	mm (in.)	7 (0.28)	7 (0.28)
Quantity per set		1	1

Ordering Information

FPM (FKM)	Part No.	E210670	E210675
-----------	----------	---------	---------

Important: In the table of Chapter "General" the German designation for the type of steel is also stated in accordance with AISI.

Ultra Sealing Disks (Aluminium 3.2315.70) ¹⁾



Dimensional drawing for the ultra sealing disks

Technical Data

DN	ISO-K / ISO-F	63	100	160	250
b	mm (in.)	4.5 (0.18)	4.5 (0.18)	4.5 (0.18)	4.5 (0.18)
b₁	mm (in.)	2.6 (0.10)	2.6 (0.10)	2.6 (0.10)	2.6 (0.10)
d	mm (in.)	69.8 (2.75)	101.8 (4.01)	152.8 (6.02)	260.8 (10.27)
d₁	mm (in.)	85.6 (3.37)	116.6 (4.59)	166.6 (6.56)	276.6 (10.89)

Ordering Information

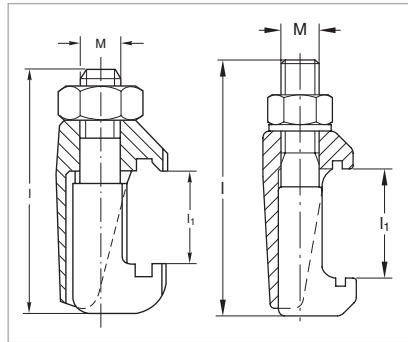
Aluminium	Part No.	886 24	886 25	886 26	886 27
-----------	----------	--------	--------	--------	--------

¹⁾ Only for collar ring connections

Clamps for ISO-K



Clamps for ISO-K, stainless steel



Dimensional drawing for the clamps,
right: Part No. 210 061

Exact numbers of clamps see first page of the chapter "(ISO-K) Clamp Flange Fittings and Components"

Technical Data

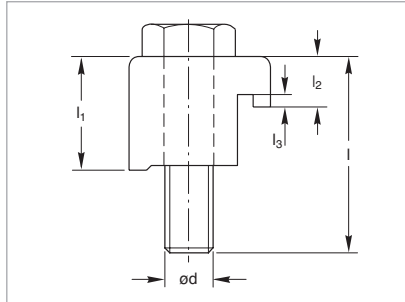
DN	ISO-K	63 / 250	63 / 250	320 / 500	630	320 / 630
Number of required clamps per connection		4 / 6	4 / 6	8 / 12	12	8 / 12
M	thread	M 10	M 10	M 12	M 12	M 12
l	mm (in.)	61.0 (2.40)	68.0 (2.68)	78.0 (3.07)	88.0 (3.46)	82.5 (3.25)
l₁	mm (in.)	17 to 27 (0.67 to 1.06)	25 to 35 (0.98 to 1.38)	27 to 39 (1.06 to 1.54)	31 to 49 (1.22 to 1.93)	29 to 47 (1.14 to 1.85)

Ordering Information

1 set = 4 clamps						
Galvanized steel 1.1181	Part No.	267 01	267 02	267 10	267 11	-
Stainless steel 1.4401	Part No.	887 99	-	-	-	210 061

Important: In the table of Chapter "General" the German designation for the type of steel is also stated in accordance with AISI.

Claws (Galvanized Steel 1.1181) for ISO-K



Dimensional drawing for the claws for ISO-K

Exact numbers of clamps see first page of the chapter "(ISO-K) Clamp Flange Fittings and Components".

Note: These clamps are not suitable for the installation of turbomolecular pumps. Please use the fasteners specified in the operating instruction of the pump.

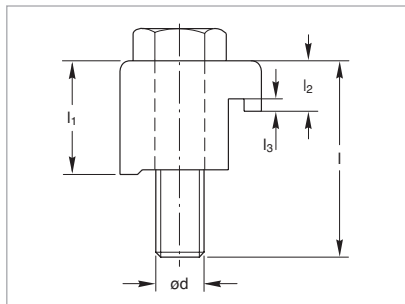
Technical Data

DN	ISO-K	63 / 100	160 / 250	320 / 500	630
Number of required claws per connection		4 / 8	8 / 12	12 / 16	20
d	thread	M 8	M 10	M 12	M 12
l	mm (in.)	35 (1.38)	35 (1.38)	50 (1.97)	55 (2.17)
l ₁	mm (in.)	22.5 (0.89)	23.0 (0.91)	36.5 (1.44)	41.5 (1.63)
l ₂	mm (in.)	8.6 (0.34)	9.1 (0.36)	15.9 (0.63)	16 (0.63)
l ₃	mm (in.)	2.5 (0.10)	2.5 (0.10)	2.5 (0.10)	2.5 (0.10)

Ordering Information

1 set = 4 claws	Part No.	268 25	268 26	268 27	268 28
-----------------	----------	--------	--------	--------	--------

Claws for Sealing Groove in Base Plate (Galvanized Steel 1.1181) for ISO-K



Dimensional drawing for the claws for sealing groove

Exact numbers of clamps see first page of the chapter "(ISO-K) Clamp Flange Fittings and Components".

Note: These clamps are not suitable for the installation of turbomolecular pumps. Please use the fasteners specified in the operating instruction of the pump.

Technical Data

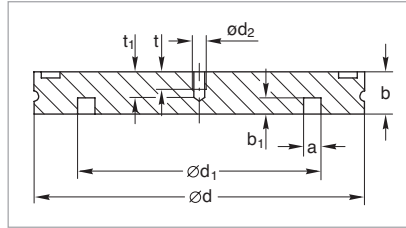
DN	ISO-K	63 / 100	160 / 250	320 / 500
d	thread	M 8	M 10	M 12
l	mm (in.)	30 (1.18)	35 (1.38)	45 (1.77)
l ₁	mm (in.)	18.6 (0.73)	19 (0.75)	31 (1.22)
l ₂	mm (in.)	8.6 (0.34)	9.0 (0.35)	16.0 (0.63)
l ₃	mm (in.)	2.5 (0.10)	2.5 (0.10)	2.5 (0.10)

Ordering Information

1 set = 4 claws	Part No.	268 76	268 77	268 78
-----------------	----------	--------	--------	--------

Important: In the table of Chapter "General" the German designation for the type of steel is also stated in accordance with AISI.

Blank Flanges (Nickel-Plated Steel 1.0037 / Stainless Steel 1.4301)



Dimensional drawing for the blank flanges

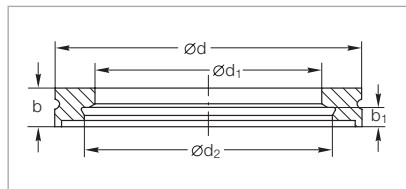
Technical Data

DN	ISO-K	63	100	160	200	250	320	400	500	630
a	mm	5	5	5	5	5	5	5	5	5
	in.	0.20	0.20	0.20	0.20	0.20	0.20	0.20	0.20	0.20
b	mm	12	12	12	12	12	17	17	17	22
	in.	0.47	0.47	0.47	0.47	0.47	0.67	0.67	0.67	0.87
b ₁	mm	4.5	4.5	4.5	4.5	4.5	6.5	6.5	6.5	6.5
	in.	0.18	0.18	0.18	0.18	0.18	0.26	0.26	0.26	0.26
d	mm	95	130	180	240	290	370	450	550	690
	in.	3.74	5.12	7.09	9.45	11.42	14.57	17.72	21.65	27.17
d ₁	mm	70	102	153	213	261	318	400	501	651
	in.	2.76	4.02	6.02	8.39	10.28	12.52	15.75	19.72	25.63
d ₂	thread	-	-	-	-	-	-	-	M 8	M 8
t	mm	8	8	8	8	8	8	8	8	8
	in.	0.31	0.31	0.31	0.31	0.31	0.31	0.31	0.31	0.31
t ₁	mm	12	12	12	12	12	12	12	12	12
	in.	0.47	0.47	0.47	0.47	0.47	0.47	0.47	0.47	0.47

Ordering Information

Nickel-plated steel	Part No.	26947	26948	26949	-	26956	-	-	-	-
Stainless steel	Part No.	88755	88756	88757	88754	88758	88759	88760	88761	88762

Welding Flanges



Dimensional drawing for the welding flanges

Technical Data

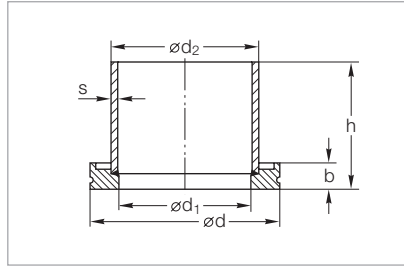
DN	ISO-K	63	100	160	200	250
b	mm (in.)	12 (0.47)	12 (0.47)	12 (0.47)	12 (0.47)	12 (0.47)
b ₁	mm (in.)	6 (0.24)	6 (0.24)	6 (0.24)	6 (0.24)	6 (0.24)
d	mm (in.)	95 (3.74)	130 (5.12)	180 (7.09)	240 (9.45)	290 (11.42)
d ₁	mm (in.)	70 (2.76)	102 (4.02)	153 (6.02)	213 (8.39)	261 (10.28)
d ₂	mm (in.)	76.6 (3.02)	108.7 (4.28)	159.8 (6.29)	219.8 (8.65)	267.8 (10.54)

Ordering Information

Steel 1.0831	Part No.	269 61	269 62	269 63	-	269 65
Stainless steel 1.4301	Part No.	886 61	886 62	886 63	886 64	886 65

Important: In the table of Chapter "General" the German designation for the type of steel is also stated in accordance with AISI.

Clamp Flanges with Tubulation (Steel 1.0831, 1.0308 / Stainless Steel 1.4301)



Dimensional drawing for the clamp flanges with tubulation

Technical Data

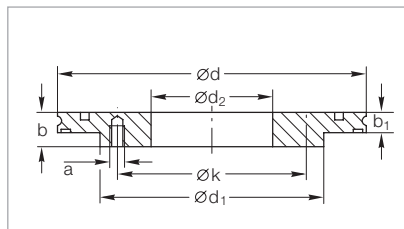
DN	ISO-K	63	100	160	200	250	320	400	500	630
d	mm	95	130	180	240	290	370	450	550	690
	in.	3.74	5.12	7.09	9.45	11.42	14.57	17.72	21.65	27.17
d ₁	mm	70	102	153	213	261	318	400	501	651
	in.	2.76	4.02	6.02	8.39	10.28	12.52	15.75	19.72	25.63
d ₂	mm	76.1	108	159	219.1	267	324	406	508	660
	in.	3.00	4.25	6.26	8.63	10.51	12.76	15.98	20.00	25.98
h	mm	100	100	100	100	100	100	100	100	100
	in.	3.94	3.94	3.94	3.94	3.94	3.94	3.94	3.94	3.94
s (steel)	mm	2.9	2.9	2.9	-	3	3	3	4	5
	in.	0.11	0.11	0.11	-	0.12	0.12	0.12	0.16	0.20
s (stainless steel)	mm	2.3	2	2	3	3	3	3	4	5
	in.	0.09	0.08	0.08	0.12	0.12	0.12	0.12	0.16	0.20
b	mm	12	12	12	12	12	17	17	17	22
	in.	0.47	0.47	0.47	0.47	0.47	0.67	0.67	0.67	0.87

Ordering Information

Steel 1.0831	Part No.	26904	26905	26906	-	26917	-	-	-	-
Stainless steel 1.4301	Part No.	88640	88641	88642	88643	88718	88719	88646	88647	88648

Not suited for the mounting of turbo molecular pumps

Reducing Flanges (Stainless Steel 1.4301)



Dimensional drawing for the reducing flanges

Technical Data

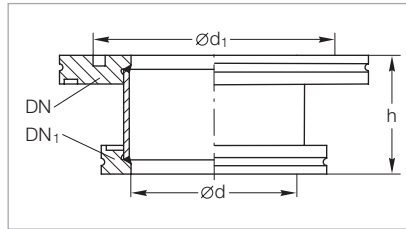
DN	ISO-K	160/63	160/100	200/100	200/160	250/160
a	thread	M 8	M 8	M 8	M 10	M 10
b	mm (in.)	22 (0.87)	25 (0.98)	20 (0.79)	25 (0.98)	22 (0.87)
b ₁	mm (in.)	12 (0.47)	12 (0.47)	12 (0.47)	12 (0.47)	12 (0.47)
d	mm (in.)	180 (7.09)	180 (7.09)	240 (9.49)	240 (9.49)	290 (11.42)
d ₁	mm (in.)	130 (5.12)	165 (6.50)	165 (6.50)	225 (8.86)	225 (8.86)
d ₂	mm (in.)	70 (2.76)	102 (4.02)	102 (4.02)	153 (6.02)	153 (6.02)
k	mm (in.)	110 (4.33)	145	145 (5.71)	200 (7.87)	200 (7.87)

Ordering Information

Stainless steel	Part No.	886 14	886 15	886 17	886 16	886 50
-----------------	----------	---------------	---------------	---------------	---------------	---------------

Important: In the table of Chapter "General" the German designation for the type of steel is also stated in accordance with AISI.

Reducers (Stainless Steel)



Dimensional drawing for the reducers

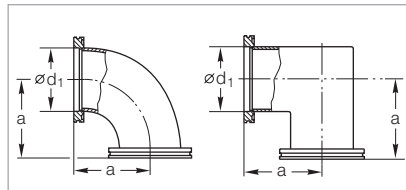
Technical Data

DN	ISO-K	100	250
DN ₁	ISO-K	63	200
d	mm (in.)	70 (2.76)	213 (8.39)
d ₁	mm (in.)	102 (4.02)	261 (10.28)
h	mm (in.)	50 (1.97)	50 (1.97)

Ordering Information

Stainless steel			
1.4301	Part No.	887 89	887 93
Not suited for the mounting of turbo molecular pumps			

Pipe Bend (Stainless Steel 1.4301); from DN 160 ISO-K Mitred Elbow



Dimensional drawing for the pipe bends (left) and the mitred elbows (right)

Technical Data

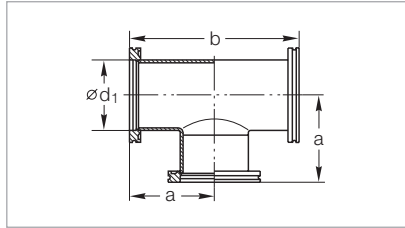
DN	ISO-K	63	100	160	250
a	mm (in.)	88 (3.46)	108 (4.25)	138 (5.43)	208 (8.19)
d ₁	mm (in.)	70 (2.76)	102 (4.02)	153 (6.02)	261 (10.28)
Weight	kg (lbs)	1.1 (2.43)	2.2 (4.8)	5.9 (13.02)	9.9 (21.85)
Conductance	l/s	208	470	1200	3700

Ordering Information

Stainless steel					
	Part No.	887 25	887 26	887 27	887 28
Not suited for the mounting of turbo molecular pumps					

Important: In the table of Chapter "General" the German designation for the type of steel is also stated in accordance with AISI.

Tees (Stainless Steel 1.4301)



Dimensional drawing for the tees

Technical Data

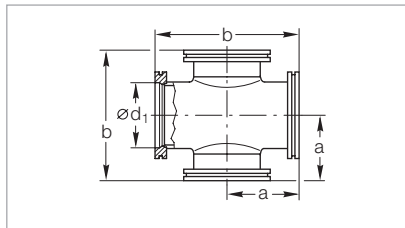
DN	ISO-K	63	100	160	250
a	mm (in.)	88 (3.46)	108 (4.25)	138 (5.43)	208 (8.19)
b	mm (in.)	176 (6.93)	216 (8.50)	276 (10.87)	416 (16.38)
d_1	mm (in.)	70 (2.76)	102 (4.02)	153 (6.02)	261 (10.28)
Weight	kg (lbs)	1.6 (3.53)	3.2 (7.06)	7.6 (16.78)	8.1 (17.88)

Ordering Information

Stainless steel	Part No.	887 35	887 36	887 37	887 38
-----------------	----------	--------	--------	--------	--------

Not suited for the mounting of turbo molecular pumps

4-Way Crosses (Stainless Steel 1.4301)



Dimensional drawing for the 4-way crosses

Technical Data

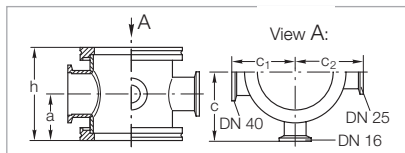
DN	ISO-K	63	100	160	250
a	mm (in.)	88 (3.46)	108 (4.25)	138 (5.43)	208 (8.19)
b	mm (in.)	176 (6.93)	216 (8.50)	276 (10.87)	416 (16.38)
d_1	mm (in.)	70 (2.76)	102 (4.02)	153 (6.02)	261 (10.28)

Ordering Information

Stainless steel	Part No.	887 45	887 46	887 47	887 48
-----------------	----------	--------	--------	--------	--------

Not suited for the mounting of turbo molecular pumps

Branching Pieces with lateral DN 16/25/40 ISO-KF Flanges (Stainless Steel 1.4301)



Dimensional drawing for the branching pieces with lateral DN 16/25/40 flanges

Can not be used with collar flanges ISO-F and DIN EN 1092-1

Technical Data

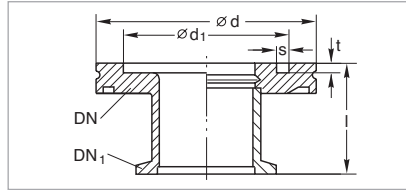
DN	ISO-K	63	100	160
a	mm (in.)	44 (1.73)	50 (1.97)	50 (1.97)
h	mm (in.)	88 (3.46)	100 (3.94)	100 (3.94)
c	mm (in.)	66 (2.60)	82 (3.23)	107 (4.21)
c_1	mm (in.)	59 (2.32)	77 (3.03)	105 (4.13)
c_2	mm (in.)	64 (2.52)	80 (3.15)	107 (4.21)

Ordering Information

Stainless steel	Part No.	886 71	886 72	886 73
-----------------	----------	--------	--------	--------

Important: In the table of Chapter "General" the German designation for the type of steel is also stated in accordance with AISI.

Adaptors-Reducers ISO-K – ISO-KF



Dimensional drawing for the adaptors-reducer ISO-K – ISO-KF;
left: aluminium; right: stainless steel

Technical Data

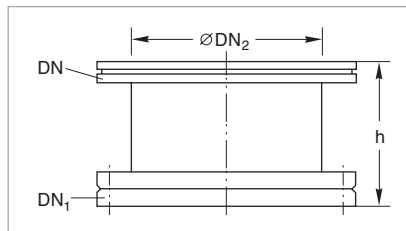
DN	ISO-K	63	63	100
DN ₁	ISO-KF	40	50	40
d	mm (in.)	95 (3.74)	95 (3.74)	130 (5.12)
d ₁	mm (in.)	70 (2.76)	70 (2.76)	102 (4.02)
l	mm (in.)	40 (1.57)	45 (1.77)	40 (1.57)
s	mm (in.)	5 (0.2)	5 (0.2)	5 (0.2)
t	mm (in.)	4.5 (0.16)	4.5 (0.16)	4.5 (0.16)
Weight	kg (lbs)	0.5 (1.1)	0.6 (1.32)	0.8 (1.77)

Ordering Information

Stainless steel 1.4301	Part No.	887 40	887 41	887 42
Aluminium 3.2315.71	Part No.	269 40	269 41	-

Not suited for the mounting of turbo molecular pumps

Adaptors ISO-K – CF



Dimensional drawing for the adaptors ISO-K – CF

Technical Data

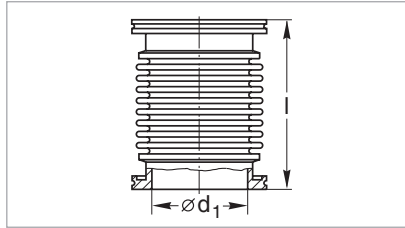
DN	ISO-K	63	100	160
DN ₁	CF	63	100	160
o. D.	in.	4 1/2	6	8
DN ₂	mm (in.)	66 (2.60)	104 (4.09)	153 (6.02)
h	mm (in.)	90 (3.54)	90 (3.54)	90 (3.54)

Ordering Information

Stainless steel DIN 1.4301	Part No.	837 01	837 02	837 03
----------------------------	----------	---------------	---------------	---------------

Important: In the table of Chapter "General" the German designation for the type of steel is also stated in accordance with AISI.

Bellows (Stainless Steel 1.4571) with Flanges (Stainless Steel 1.4301)



Dimensional drawing for the bellows

Technical Data

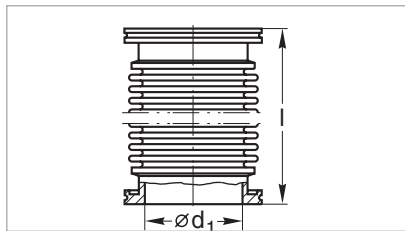
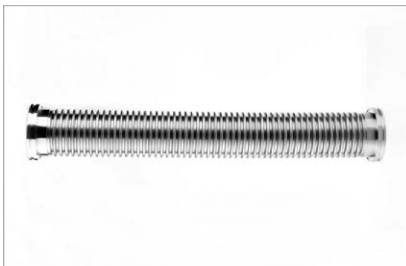
DN	ISO-K	63	100	160	250
d_1	mm (in.)	70 (2.76)	102 (4.02)	153 (6.02)	261 (10.78)
l	mm (in.)	132 (5.20)	132 (5.20)	150 (5.91)	200 (7.87)
Weight	kg (lbs)	1.0 (2.21)	3.9 (8.61)	6.2 (13.69)	9.3 (20.53)
Compression	mm (in.)	20 (0.79)	28 (1.10)	22 (0.87)	30 (1.18)
Tension	mm (in.)	20 (0.79)	28 (1.10)	22 (0.87)	30 (1.18)
Max. bending angle	degrees ¹⁾	$\pm 30^\circ$	$\pm 30^\circ$	$\pm 14^\circ$	$\pm 13^\circ$
Lateral displacement	mm (in.)	7.5 (0.28)	9.0 (0.35)	3.5 (0.14)	4.5 (0.18)

Ordering Information

Stainless steel	Part No.	887 70	887 71	887 72	887 68
-----------------	----------	--------	--------	--------	--------

¹⁾ When utilizing the maximum bend, no extension along the axial axis will be possible!

Flexible Vacuum Hoses (Stainless Steel 1.4571) with Flanges (Stainless Steel 1.4301)



Dimensional drawing for the flexible vacuum hoses

Technical Data

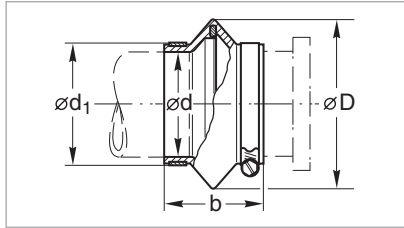
DN	ISO-K	63	63	63	63	100	100	100	100
d_1	mm	70	70	70	70	102	102	102	102
	in.	2.76	2.76	2.76	2.76	2.76	4.02	4.02	4.02
l	mm	250	500	750	1000	250	500	750	1000
	in.	9.84	19.69	29.53	39.37	9.84	19.69	29.53	39.37
Max. bending radius with multiple bending	mm	250	250	250	250	370	370	370	370
	in.	9.84	9.84	9.84	9.84	14.57	14.57	14.57	14.57
with single bend	mm	160	160	160	160	240	240	240	240
	in.	8.30	8.30	8.30	8.30	9.45	9.45	9.45	9.45

Ordering Information

Stainless steel	Part No.	868 37	867 97	868 34	868 07	868 38	867 98	868 35	868 08
-----------------	----------	--------	--------	--------	--------	--------	--------	--------	--------

Important: In the table of Chapter "General" the German designation for the type of steel is also stated in accordance with AISI.

Flexible Compensation Elements (CR)



Dimensional drawing for the flexible compensation elements

Technical Data

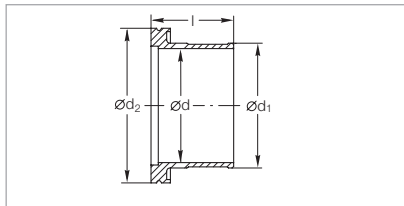
DN	ISO-K	63	100	160
D	mm (in.)	120 (4.72)	150 (5.91)	200 (7.87)
d	mm (in.)	75 (2.95)	106 (4.17)	155 (6.10)
d_1	mm (in.)	85 (3.35)	116 (4.57)	165 (6.50)
b	mm (in.)	70 (2.76)	72 (2.83)	72 (2.83)

Ordering Information

CR	Part No.	272 23 ¹⁾	272 24 ¹⁾	272 25 ¹⁾
----	----------	----------------------	----------------------	----------------------

¹⁾ Is supplied complete with stainless steel hose clamps

Connections for Flexible Compensation Elements (Aluminium 3.2315.71)



Dimensional drawing for the connections for flexible compensation elements

Technical Data

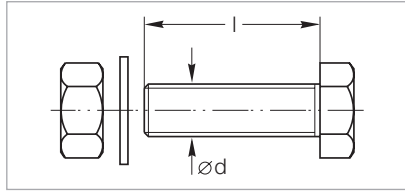
DN	ISO-K	63	100	160
d	mm (in.)	70 (2.76)	102 (4.02)	150 (5.91)
d_1	mm (in.)	76 (2.99)	107 (4.21)	156 (6.14)
d_2	mm (in.)	95 (3.74)	130 (5.12)	180 (7.09)
l	mm (in.)	51 (2.01)	56 (2.20)	56 (2.20)

Ordering Information

Aluminium	Part No.	272 35	272 36	272 37
-----------	----------	--------	--------	--------

Important: In the table of Chapter "General" the German designation for the type of steel is also stated in accordance with AISI.

Bolts for Clamp Flange Fittings (Steel 8.8, zinc coated)



Dimensional drawing for the bolts for clamp flange fittings

Technical Data

DN	ISO-K	63 - 100	160 - 250	320 - 500	630
Dimensions					
d	thread	M 8	M 10	M 12	M 12
l	mm (in.)	40 (1.57)	50 (1.97)	70 (2.76)	80 (3.15)
Quantity per set					
Bolts		8	12	16	20
Nuts		8	12	16	20
Washers		8	12	16	20

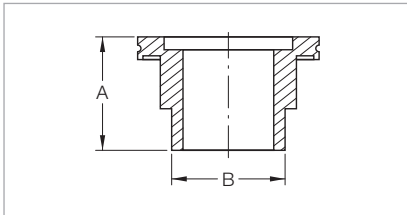
Ordering Information

Set	Part No.	887 81	887 82	887 83	887 84
-----	----------	--------	--------	--------	--------

Important: In the table of Chapter "General" the German designation for the type of steel is also stated in accordance with AISI.

Only available for purchase in North and South America

ISO-K to NPT Adaptor



Dimensional drawing for the ISO-K / NPT adaptor

Technical Data

DN		63 ISO-K / 2" NPT
A	mm (in.)	60.0 (2.36)
∅ B	mm (in.)	51.0 (2" NPT)

Ordering Information

Stainless steel	Part No.	72103040
-----------------	----------	-----------------

Important: In the table of Chapter "General" the German designation for the type of steel is also stated in accordance with AISI.

ISO-F and DIN EN 1092-1 Fixed Flange Fittings, ND 6

Note: ND 6 states a dimension and not refer to an operating pressure of 6 bar!

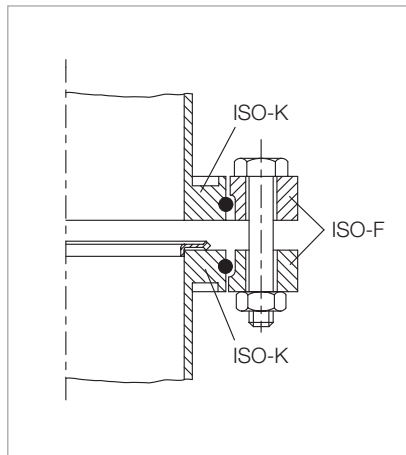


Mating clamp flanges with tubulation using collar rings and sealing disk

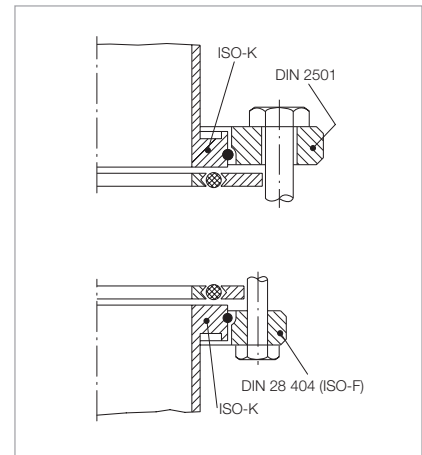
In addition to clamp flange connections, fixed welded flanges (ISO-F or to DIN EN 1092-1) are used in the area of vacuum engineering to interconnect valves, pumps and other components.

Advantages to the User

- A high vacuum seal is maintained also at large nominal width and high mechanical loads
- Evenly distributed sealing force through a large number of bolts
- Can be easily adapted to other flange systems
- Vacuum sealing disks consist of a CR O-ring seal with inner and outer aluminium ring
- Fixed flanges and collar flanges may also be constructed as all-metal seals by using ultra sealing disks



Mating clamp flanges using bolted collar rings and ultra sealing disk



Comparison: Clamp flange with collar flange to DIN EN 1092-1 and clamp flange with collar flange to DIN 28 404; ISO-F

Collar Flange

Steel

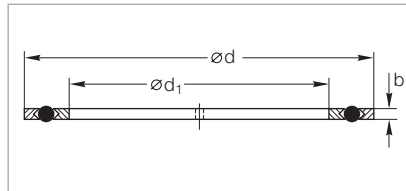
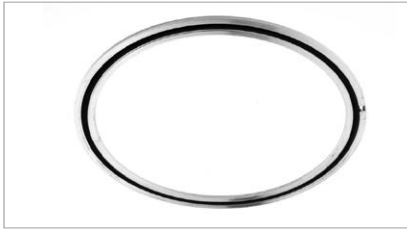
Stainless Steel

Bolts and nuts	Galvanized 8.8 steel	1.4401
Retaining ring	Steel	1.4310

Important: In the table of Chapter "General" the German designation for the type of steel is also stated in accordance with AISI.

ISO-F Fixed Flange Fittings

Vacuum Sealing Disks for ISO-F Flanges (Aluminium/CR)



Dimensional drawing for vacuum sealing disks

Technical Data

DN	ISO-F	63	100	160	250	320
d	mm (in.)	98 (3.86)	132 (5.20)	185 (7.28)	295 (11.61)	375 (14.76)
d ₁	mm (in.)	73 (2.87)	107 (4.21)	160 (6.30)	270 (10.63)	330 (12.99)
b	mm (in.)	4 (0.16)	4 (0.16)	4 (0.16)	4 (0.16)	6 (0.24)

Ordering Information

Aluminum/CR	Part No.	171 09	171 10	171 11	171 12	171 19
-------------	----------	--------	--------	--------	--------	--------

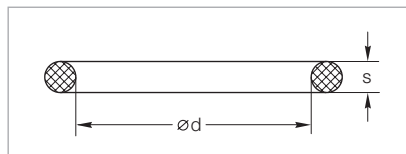
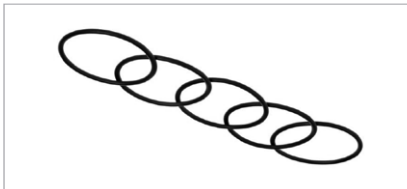
Technical Data

DN	ISO-F	400	500	630	800	1000
d	mm (in.)	460 (18.11)	560 (22.05)	701 (27.60)	870 (34.25)	1070 (42.13)
d ₁	mm (in.)	415 (16.34)	515 (20.28)	656 (25.83)	825 (32.48)	1025 (40.35)
b	mm (in.)	6 (0.24)	6 (0.24)	6 (0.24)	6 (0.24)	6 (0.24)

Ordering Information

Al/CR	Part No.	171 14	171 15	171 16	171 17	171 18
-------	----------	--------	--------	--------	--------	--------

Spare O-Ring Gaskets for ISO-F Flange Connection



Dimensional drawing for O-rings

Technical Data

DN	ISO-F	63	100	160	250	320
d	mm (in.)	80 (3.15)	110 (4.33)	165 (6.50)	265 (10.43)	325 (12.75)
s	mm (in.)	5 (0.20)	5 (0.20)	5 (0.20)	5 (0.20)	8 (0.31)
Quantity per set		5	5	5	5	1

Ordering Information

CR	Part No.	ES210701	ES210711	ES210716	ES210721	E210726
----	----------	----------	----------	----------	----------	---------

Technical Data

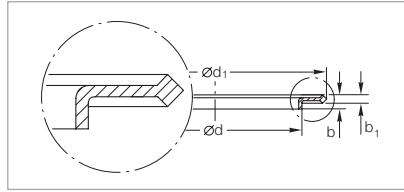
DN	ISO-F	400	630	800	1000
d	mm (in.)	412 (16.22)	640 (25.20)	820 (32.28)	1023 (40.28)
s	mm (in.)	8 (0.31)	8 (0.31)	8 (0.31)	8 (0.31)
Quantity per set		1	1	1	1

Ordering Information

CR	Part No.	E210731	E210741	E210746	E210751
----	----------	---------	---------	---------	---------

Important: In the table of Chapter "General" the German designation for the type of steel is also stated in accordance with AISI.

Ultra Sealing Disks (Aluminium 3.2315.71) for ISO-F Flanges



Dimensional drawing for O-rings

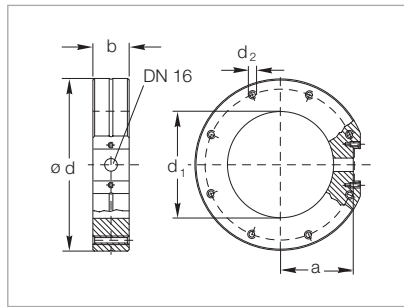
Technical Data

DN	ISO-K / ISO-F	63	100	160	250
b	mm (in.)	4.5 (0.18)	4.5 (0.18)	4.5 (0.18)	4.5 (0.18)
b ₁	mm (in.)	2.6 (0.10)	2.6 (0.10)	2.6 (0.10)	2.6 (0.10)
d	mm (in.)	69.8 (2.75)	101.8 (4.01)	152.8 (6.02)	260.8 (10.27)
d ₁	mm (in.)	85.6 (3.37)	116.6 (4.59)	166.6 (6.56)	276.6 (10.89)

Ordering Information

Aluminium	Part No.	886 24	886 25	886 26	886 27
-----------	----------	--------	--------	--------	--------

Measurement Flanges



Dimensional drawing for the measurement flanges

Technical Data

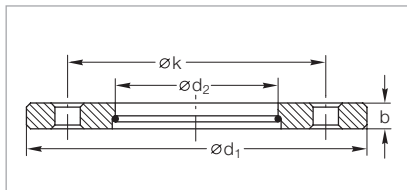
DN	ISO-K	63	100	160
a	mm (in.)	52.3 (2.06)	71.3 (2.81)	102.3 (4.03)
b	mm (in.)	30 (1.18)	30 (1.18)	30 (1.18)
d	mm (in.)	130 (5.12)	165 (6.50)	225 (8.86)
d ₁	mm (in.)	70 (2.76)	102 (4.02)	153 (6.02)
d ₂	thread	M 8	M 8	M 10
Number of threaded holes		4	8	8

Ordering Information

Stainless steel 1.4301	Part No.	286 60	286 61	286 62
Recommended centering ring (2x)	Part No.	887 03	887 04	887 07

Important: In the table of Chapter "General" the German designation for the type of steel is also stated in accordance with AISI.

ISO-F Collar Flanges with Retaining Ring for use with Clamp Flange Fittings (Steel 1.0037) and Stainless Steel



Dimensional drawing for collar flanges with retaining ring

Technical Data

DN	ISO-F	63	100	160	200	250
d_1	mm (in.)	130 (5.12)	165 (6.50)	225 (8.86)	285 (11.22)	335 (13.19)
d_2	mm (in.)	95.6 (3.76)	130.6 (5.14)	180.9 (7.12)	240.9 (9.48)	290.9 (11.45)
k	mm (in.)	110 (4.93)	145 (5.71)	200 (7.87)	260 (10.24)	310 (12.20)
b	mm (in.)	12 (0.47)	12 (0.47)	16 (0.63)	16 (0.63)	16 (0.63)
Number of holes		4	8	8	12	12

Ordering Information

Nickel-plated steel	Part No.	267 67	267 70	267 71	267 68	267 72
Stainless Steel	Part No.	86747V01	86750V01	86751V01	-	-

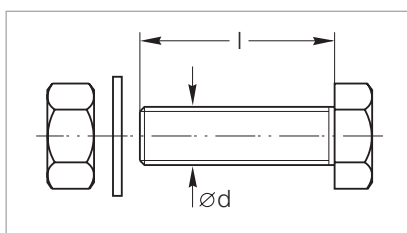
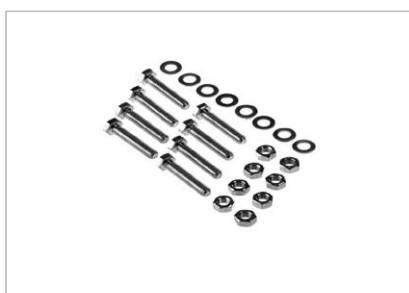
Technical Data

DN	ISO-F	320	400	500	630
d_1	mm (in.)	425 (16.73)	510 (20.08)	610 (24.02)	750 (29.53)
d_2	mm (in.)	370.8 (14.60)	451.0 (17.76)	551.0 (21.69)	691.0 (27.20)
k	mm (in.)	395 (15.51)	480 (18.90)	580 (22.83)	720 (28.35)
b	mm (in.)	20 (0.79)	20 (0.79)	20 (0.79)	24 (0.95)
Number of holes		12	16	16	20

Ordering Information

Nickel-plated steel	Part No.	267 76	267 74	267 75	267 77
---------------------	----------	--------	--------	--------	--------

Bolts, Nuts and Washers for ISO-F Flange Connection (Steel 8.8, zinc coated)



Dimensional drawing for the bolts for ISO-F flange connections

Technical Data

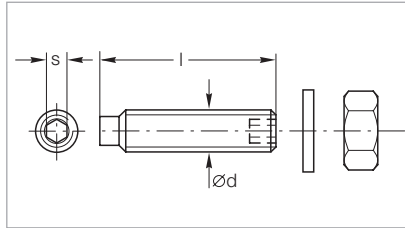
DN	ISO-F	63 - 100	160 - 250	320 - 500	630
Dimensions					
d	thread	M 8	M 10	M 12	M 12
l	mm (in.)	40 (1.57)	50 (1.97)	70 (2.76)	80 (3.15)
Quantity per set					
Bolts		8	12	16	20
Nuts		8	12	16	20
Washers		8	12	16	20

Ordering Information

Set	Part No.	887 81	887 82	887 83	887 84
-----	----------	--------	--------	--------	--------

Important: In the table of Chapter "General" the German designation for the type of steel is also stated in accordance with AISI.

Bolts, Nuts and Washers for Joints with VAT Gate Valves



Dimensional drawing for the set screws, nuts and washers

Technical Data

DN	ISO-F	63-100	160-250
Dimensions			
d	thread	M 8	M 10
l	mm (in.)	45 (1.77)	55 (2.17)
s	mm (in.)	4 (0.16)	6 (0.24)
Quantity per set			
Bolts		16	12
Nuts		16	12
Washers		16	12

Ordering Information

Set	Part No.	839 13	210 071
------------	-----------------	---------------	----------------

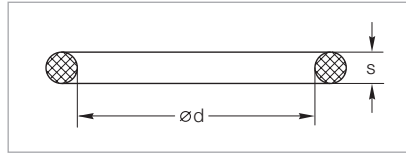
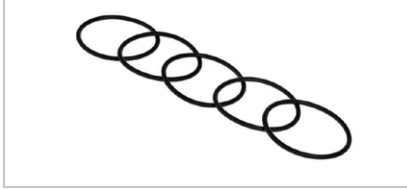
Important: In the table of Chapter "General" the German designation for the type of steel is also stated in accordance with AISI.

DIN EN - Fixed Flange Fittings ND 6

Outside dimensions and hole pattern in accordance to DIN EN 1092-1;
inside contour similar with DIN 28404

Note: ND 6 states a dimension and does not refer to an operating pressure of 6 bar!

Spare O-Ring Gaskets for Vacuum Sealing Disks DIN EN 1092-1



Dimensional drawing for O-ring gaskets

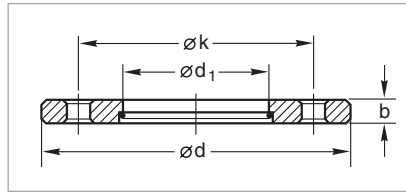
Technical Data

DN	ISO-F	63	100	160
d	mm (in.)	80 (3.15)	110 (4.23)	165 (6.50)
s	mm (in.)	5 (0.20)	5 (0.20)	5 (0.20)
Quantity per set		5	5	5

Ordering Information

CR	Part No.	ES210701	ES210711	ES210716
----	----------	----------	----------	----------

Collar Flanges with Retaining Ring (Steel 1.0037)



Dimensional drawing for collar flanges with retaining ring

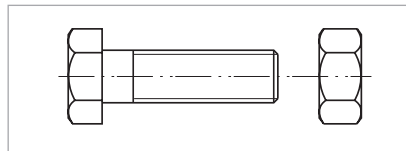
Technical Data

DN	DIN	63	100	160
d	mm (in.)	160 (6.30)	210 (8.27)	265 (10.43)
d_1	mm (in.)	95.6 (3.76)	130.6 (5.14)	180.9 (7.12)
k	mm (in.)	130 (5.12)	170 (6.69)	225 (8.86)
b	mm (in.)	12 (0.47)	15 (0.59)	15 (0.59)

Ordering Information

Steel	Part No.	267 47	267 50	267 51
-------	----------	--------	--------	--------

Bolts and Nuts for DIN Collar Flange



Dimensional drawing for bolts and nuts

Technical Data

DN	DIN	63	100	160	250
Dimensions					
d	thread	M 12	M 16	M 16	M 16
l	mm (in.)	40 (1.57)	50 (1.97)	50 (1.97)	50 (1.97)
Number of bolts/nuts required		4	8	8	12

Ordering Information

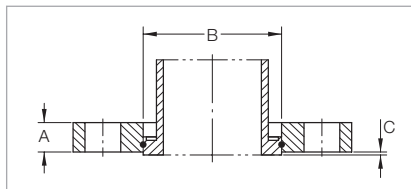
1 bolt (galvanized 8.8 steel)	Part No.	201 02 381	201 02 434	201 02 434	201 02 434
1 nut (galvanized 8.8 steel)	Part No.	211 01 115	211 01 117	211 01 117	211 01 117

Important: In the table of Chapter "General" the German designation for the type of steel is also stated in accordance with AISI.

Only available for purchase in North and South America

ANSI Fittings

Flanges, Rotatable Bolt Type



Dimensional drawing for the flanges,
rotatable type
(tube piece shown in phantom not included)

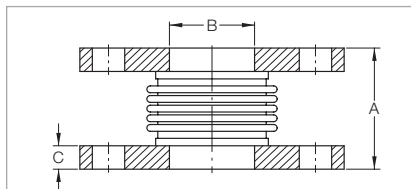
Technical Data

DN	ISO-K to ANSI	63 3"	100 4"	160 6"	250 10"
A	mm (in.)	13.0 (0.50)	13.0 (0.50)	16.0 (0.63)	22.0 (0.88)
∅ B	mm (in.)	95.5 (3.76)	131.0 (5.14)	181.0 (7.12)	291.0 (11.45)
C	mm (in.)	1 (0.039)	1 (0.039)	1 (0.039)	1 (0.039)

Ordering Information

Stainless steel	Part No.	982780700	982780701	982780702	982780703
Spare retaining ring (Set of 10 pcs)	Part No.	ES23102401	ES23102402	ES23102412	-

Bellows



Dimensional drawing for the bellows

Combined axial/lateral deflection cannot
exceed 100%.

Example: 75% axial rating - 25% lateral
rating

Technical Data

DN	ANSI	3"	4"	6"
A	mm (in.)	120.0 (4.72)	120.0 (4.72)	200.0 (7.87)
∅ B	mm (in.)	78.0 (3.07)	102.0 (4.03)	154.0 (6.07)
C	mm (in.)	12.7 (0.50)	12.7 (0.50)	12.7 (0.50)
Rated deflection in axial	mm (in.)	15.0 (0.58)	18.0 (0.70)	29.5 (1.16)
Rated deflection in lateral	mm (in.)	5.0 (0.19)	6.0 (0.22)	8.0 (0.31)
Spring rate	lbf/in.	263.0	340.0	260.0
Compression / tension	mm (in.)	11.68 / 3.56 (0.460 / 0.140)	14.22 / 3.56 (0.560 / 0.140)	22.86 / 6.60 (0.900 / 0.260)

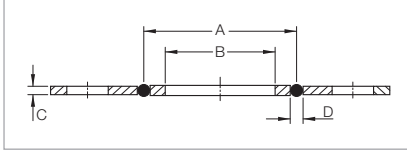
Ordering Information

Stainless steel bellows with carbon steel flanges	Part No.	991051013	991051014	991051016
--	----------	------------------	------------------	------------------

Important: In the table of Chapter "General" the German designation for the type of steel is also stated in accordance with AISI.

Only available for purchase in North and South America

Sealing Disk Assembly



Dimensional drawing for the sealing disk assembly

Technical Data

DN	ANSI	3"	4"	6"
∅ A	mm (in.)	91.0 (3.60)	121.0 (4.75)	171.0 (6.72)
∅ B	mm (in.)	78.0 (3.07)	102.0 (4.03)	154.0 (6.07)
C	mm (in.)	3.2 (0.13)	3.2 (0.13)	3.2 (0.13)
∅ D	mm (in.)	4.0 (0.16)	4.0 (0.16)	4.0 (0.16)

Ordering Information

	Part No.	910181605	910181606	910181607
Aluminium	Part No.	910181605	910181606	910181607
Stainless steel	Part No.	-	910181617	-

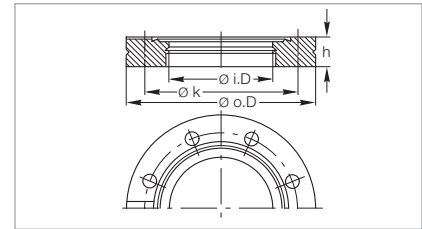
Important: In the table of Chapter "General" the German designation for the type of steel is also stated in accordance with AISI.

CF Flange Fittings and Components

CF Flanges



The CF flange connection consists of two identical flanges with a flat gasket made of **OFHC copper**, bolts, nuts and washers.



Dimensional drawing for CF flanges

Sealing Principle

When assembling the CF flange connection, the flat copper gasket fits with a slight clearance into the outer recess of the flanges and thus assures good centering of the flange connection. If the flange bolts are properly tightened according to the instructions, the knife edge of the flanges penetrates into the flat copper gasket, whereby the shear action of the outer face of the cutting edge – as seen from the flange axis - produces a yield pressure on the copper gasket, while the inner face of the edge produces a cutting action.

During this process the copper gasket adapts it-self optimally to the micro-structure of the outer knife edge. This explains the high sealing effect and the especially low leak rates of CF flange connections. A radial groove extending right up to the sealing ring is provided for leak testing of the flange connection. In order to ensure that the sealing knife edge is not damaged during frequent use of the flanges, the conventional geometry of such knife edges for CF flanges has been developed further. By using the Leybold developed obtuse angled knife edge

profile the strength of the sealing knife edges has been significantly stabilized. In addition to the actual knife edge, the flanges are provided with a concentric sealing surface for placement of a FPM (FKM) gasket or a supporting ring with FPM O-ring, which may be baked up to 150 °C (302 °F) (does not apply to observation windows).

This design has the advantage, that it is possible to equip the apparatus with elastomer gaskets prior to final assembly, so that the system can be tested under normal high vacuum conditions.

Technical Data

DN	CF	16	40	63	100	160	200	250
Outside diameter o. D.	mm	34.0	69.5	113.5	152.0	202.5	253.0	305.0
	(in.)	(1.33)	(2.75)	(4.50)	(6.00)	(8.00)	(10.00)	(12.00)
Inside diameter i. D.	mm	16.0	36.8	66.0	104.0	155.0	200.0	250.0
	(in.)	(0.63)	(1.375)	(2.50)	(4.00)	(6.00)	(8.00)	(10.00)
Bolt circle diameter k	mm	27.0	58.7	92.2	130.3	181.0	231.8	284.0
	(in.)	(1.06)	(2.31)	(3.63)	(5.13)	(7.13)	(9.13)	(11.18)
High h	mm	7.5	13.0	17.5	20.0	22.0	24.5	24.5
	(in.)	(0.30)	(0.51)	(0.69)	(0.79)	(0.87)	(0.97)	(0.97)
Number of holes		6	6	8	16	20	24	32
Hole diameter	mm	4.3	6.6	8.4	8.4	8.4	8.4	8.4
	(in.)	(0.17)	(0.26)	(0.33)	(0.33)	(0.33)	(0.33)	(0.33)

Conversion Factors

- Magnetizing field H, unit: $A \times m^{-1}$
Previously used unit: Oersted (Oe) $1 \text{ Oe} = 79.577 (A \times m^{-1})$
- Strength of the magnetic field B, unit: $Vs \times m^{-2} = \text{Tesla (T)}$
Previously used unit: Gauß (G) $1 \text{ G} = 10^{-4} Vs \times m^{-2} = 10^{-4} \text{ T}$

Important: In the table of Chapter "General" the German designation for the type of steel is also stated in accordance with AISI.

CF Components



CF components are manufactured according to the requirements outlined in the introductory chapter. They are made from selected and corrosion resistant types of stainless steel. Both design and production methods are such, that the components meet the requirements of UHV applications. All components are fusion welded from the inside to prevent fissures and pocket holes (virtual leaks which cannot be located by leak detection methods from the outside). If welding from the outside cannot be avoided due to design constraints, the welding seam penetrates to the inner side, the side of the vacuum.

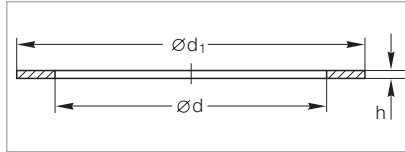
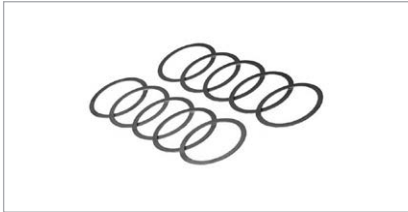
A carefully implemented cleaning process and suitable packaging for the components are essential prerequisites for obtaining pressures in the UHV range within reasonably short pump down times after assembly (providing the remainder of the apparatus is clean too).

For applications in the extreme UHV range (XHV) the outgassing rate of the CF flanges and the UHV components can be reduced by about two orders of magnitude by a special degassing process.

Advantages to the User

- Low degassing rates
- High degassing temperature
- Leak rates below $1 \times 10^{-11} \text{ mbar} \times \text{l} \times \text{s}^{-1}$
- Basic dimensions correspond to those of the components from other international manufacturers
- Bolts may be inserted from the side of the body

Copper Gaskets for CF Flanges (OFHC Copper – Oxygen-Free)



Dimensional drawing for the copper gaskets for CF flanges

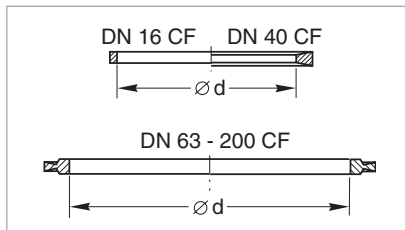
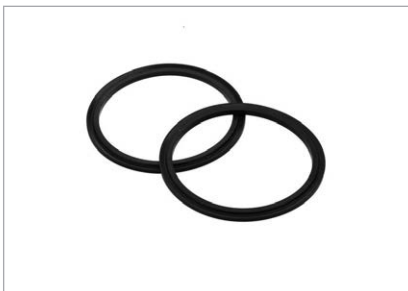
Technical Data

DN	CF	16	40	63	100	160	200	250
Outside diameter	in.	1.33	2.75	4.50	6.00	8.00	10.00	12.00
d	mm (in.)	16.2 (0.64)	39.0 (1.54)	63.6 (2.50)	101.8 (4.01)	152.6 (6.01)	203.4 (8.01)	254.0 (10.00)
d ₁	mm (in.)	21.3 (0.84)	48.1 (1.89)	82.4 (3.24)	120.5 (4.74)	171.3 (6.74)	222.1 (8.74)	272.7 (10.74)
Set of 5		–	–	–	–	–	–	x
Set of 10		x	x	x	x	x	x	–

Ordering Information

Quality: Standard	Part No.	ES83941	ES83943	ES83944	ES83945	ES83946	ES83947	ES83948
-------------------	----------	----------------	----------------	----------------	----------------	----------------	----------------	----------------

FPM (FKM) Profiled Gasket without Support Ring



Dimensional drawing for the profiled gaskets without support ring

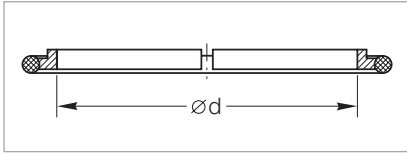
Technical Data

DN	CF	16	40	63	100	160	200
Outside diameter	in.	1.33	2.75	4.50	6.00	8.00	10.00
d	mm (in.)	16.0 (0.63)	42.0 (1.65)	69.7 (2.74)	107.8 (4.24)	156.0 (6.14)	206.0 (8.11)
Bakeout temperature	°C (°F)	160 (320)	160 (320)	160 (320)	160 (320)	160 (320)	160 (320)
Set of 2		–	–	x	x	x	x
Set of 5		x	x	–	–	–	–

Ordering Information

Part No.	ES83921	ES83923	ES83934	ES83935	ES83936	ES83937
----------	----------------	----------------	----------------	----------------	----------------	----------------

FPM (FKM) O-ring with Support Ring



Dimensional drawing for the FPM (FKM) O-rings with support ring

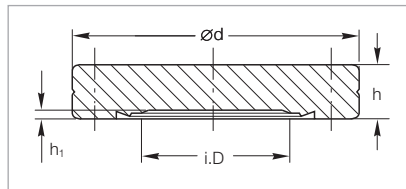
Technical Data

DN	CF	250
Outside diameter	in.	12
d	mm (in.)	248.3 (9.78)
Bakeout temperature	°C (°F)	160 (320)

Ordering Information

FPM O-ring with support ring	Part No.	839 03
------------------------------	----------	---------------

CF Blank Flanges, Fixed



Dimensional drawing for the CF blank flanges, fixed

For missing dimensions see "Technical Data" at the beginning of the Chapter "CF Flanges"

Technical Data

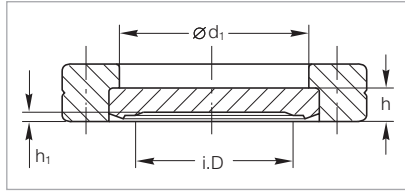
DN	CF	16	40	63	100	160	200	250
Outside diameter	in.	1.33	2.75	4.50	6.00	8.00	10.00	12.00
Inside diameter	mm (in.)	14.0 (0.55)	38.0 (1.50)	66.0 (2.60)	104.0 (4.09)	155.0 (6.10)	205.0 (8.07)	256.0 (10.08)
d	mm (in.)	34.0 (1.34)	69.5 (2.74)	113.5 (4.47)	152.0 (5.98)	202.5 (7.97)	253.0 (9.96)	305.0 (12.01)
h	mm (in.)	7.5 (0.30)	13.0 (0.51)	17.5 (0.69)	20.0 (0.79)	22.0 (0.87)	24.5 (0.97)	24.5 (0.97)
h ₁	mm (in.)	1.4 (0.06)	1.4 (0.06)	1.4 (0.06)	1.4 (0.06)	1.4 (0.06)	1.4 (0.06)	1.4 (0.06)

Ordering Information

Stainless steel DIN 1.4301	Part No.	835 01	835 03	835 04	835 05	835 06	835 07	835 09
----------------------------	----------	---------------	---------------	---------------	---------------	---------------	---------------	---------------

Important: In the table of Chapter "General" the German designation for the type of steel is also stated in accordance with AISI.

CF Blank Flanges, Rotatable



Dimensional drawing for the CF blank flanges, rotatable

For missing dimensions see "Technical Data" at the beginning of the Chapter "CF Flanges"

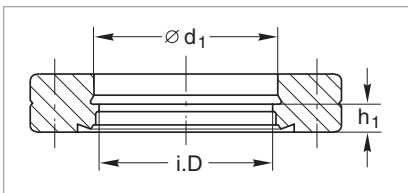
Technical Data

DN	CF	16	40	63	100	160	200	250
Outside diameter	in.	1.33	2.75	4.50	6.00	8.00	10.00	12.00
Inside diameter	mm (in.)	14.0 (0.55)	38.0 (1.50)	66.0 (2.6)	104.0 (4.09)	155.0 (6.10)	205.0 (8.07)	256.0 (10.08)
d_1	mm (in.)	18.6 (0.73)	41.0 (1.61)	71.0 (2.80)	109.0 (4.29)	160.0 (6.30)	206.0 (8.11)	257.0 (10.12)
h	mm (in.)	5.8 (0.23)	7.6 (0.30)	12.6 (0.50)	14.3 (0.56)	15.8 (0.62)	17.1 (0.67)	18.0 (0.71)
h_1	mm (in.)	1.4 (0.06)	1.4 (0.06)	1.4 (0.06)	1.4 (0.06)	1.4 (0.06)	1.4 (0.06)	1.4 (0.06)

Ordering Information

Stainless steel DIN 1.4301	Part No.	835 21	835 23	835 24	835 25	835 26	835 27	835 29
----------------------------	----------	--------	--------	--------	--------	--------	--------	--------

CF Bore Flanges, Fixed



Dimensional drawing for the CF bore flanges, fixed

For missing dimensions see "Technical Data" at the beginning of the Chapter "CF Flanges"

Technical Data

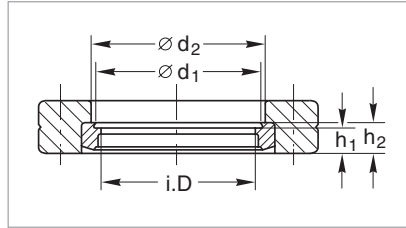
DN	CF	16	40	63	100	160	200	250
Outside diameter	in.	1.33	2.75	4.50	6.00	8.00	10.00	12.00
Inside diameter	mm (in.)	16.0 (0.63)	36.8 (1.45)	66.0 (2.60)	104.0 (4.09)	155.0 (6.10)	200.0 (7.87)	250.0 (9.84)
d_1	mm (in.)	18.3 (0.72)	40.3 (1.59)	70.3 (2.77)	108.5 (4.27)	159.5 (6.28)	205.5 (8.09)	256.5 (10.10)
h_1	mm (in.)	4.2 (0.17)	5.5 (0.22)	9.5 (0.37)	11.0 (0.43)	12.0 (0.47)	12.5 (0.49)	12.5 (0.49)

Ordering Information

Stainless steel DIN 1.4301	Part No.	835 41	835 37	835 38	835 39	835 40	835 47	835 49
----------------------------	----------	--------	--------	--------	--------	--------	--------	--------

Important: In the table of Chapter "General" the German designation for the type of steel is also stated in accordance with AISI.

CF Bore Flanges, Rotatable



Dimensional drawing for the CF bore flanges, rotatable

For missing dimensions see "Technical Data" at the beginning of the Chapter "CF Flanges"

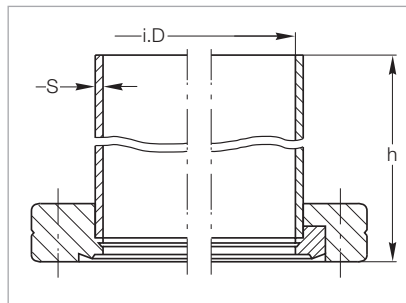
Technical Data

DN	CF	16	40	63	100	160	200	250
Outside diameter	in.	1.33	2.75	4.50	6.00	8.00	10.00	12.00
Inside diameter	mm	16.0	36.8	66.0	104.0	155.0	200.0	250.0
	(in.)	(0.63)	1.45	(2.60)	(4.09)	(6.10)	(7.87)	(9.84)
d_1	mm	18.3	40.3	70.3	108.5	159.5	205.5	256.5
	(in.)	(0.72)	(1.59)	(2.77)	(4.27)	(6.28)	(8.09)	(10.10)
d_2	mm	18.6	41.0	71.0	109.0	160.0	206.0	257.0
	(in.)	(0.73)	(1.61)	(2.80)	(4.29)	(6.30)	(8.11)	(10.12)
h_1	mm	4.2	5.5	9.5	11.0	12.0	12.5	12.5
	(in.)	(0.17)	(0.22)	(0.37)	(0.43)	(0.47)	(0.49)	(0.49)
h_2	mm	5.8	7.6	12.6	14.3	15.8	17.1	18.0
	(in.)	(0.23)	(0.30)	(0.50)	(0.56)	(0.62)	(0.67)	(0.71)

Ordering Information

Stainless steel DIN 1.4301	Part No.	835 61	835 58	835 59	835 60	835 69	835 67	835 78
----------------------------	----------	--------	--------	--------	--------	--------	--------	--------

CF Flanges with Tube End



Dimensional drawing for the CF flanges with tube end; left fixed, right rotatable

For missing dimensions see "Technical Data" at the beginning of the Chapter "CF Flanges"

Technical Data

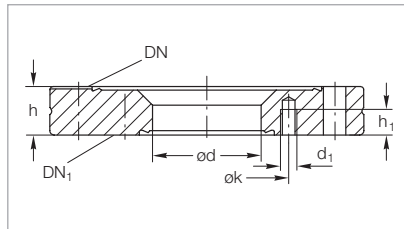
DN	CF	16	40	63	100	160
Outside diameter	in.	1.33	2.75	4.50	6.00	8.00
Inside diameter	mm	16.0	36.8	66.0	104.0	155.0
	(in.)	(0.63)	1.45	(2.60)	(4.09)	(6.10)
s	mm	1.0	1.6	2.0	2.0	2.0
	(in.)	(0.04)	(0.06)	(0.08)	(0.08)	(0.08)
h	mm	38.0	63.0	105.0	135.0	167.0
	(in.)	(1.50)	(2.48)	(4.13)	(5.32)	(6.58)

Ordering Information

Stainless steel DIN 1.4301		Part No.	835 51	835 31	835 32	835 33	835 34
Tube end	fixed	Part No.	835 51	835 31	835 32	835 33	835 34
	rotatable	Part No.	835 71	835 82	835 74	835 75	835 76

Important: In the table of Chapter "General" the German designation for the type of steel is also stated in accordance with AISI.

CF Reducing Flanges



Dimensional drawing for the CF reducing flanges, fixed

For missing dimensions see "Technical Data" at the beginning of the Chapter "CF Flanges"

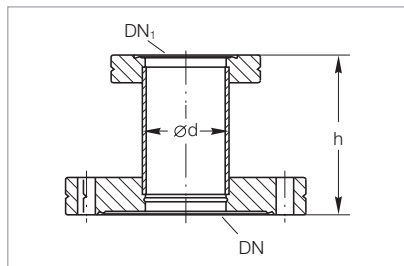
Technical Data

DN	CF	40	63	100	100	160	160
Outside diameter	in.	2.75	4.50	6.00	6.00	8.00	8.00
DN ₁	CF	16	40	40	63	40	100
k	mm (in.)	27.0 (1.06)	58.7 (2.31)	58.7 (2.31)	92.2 (3.63)	58.7 (2.31)	130.0 (5.12)
h	mm (in.)	13.0 (0.51)	17.5 (0.69)	20.0 (0.79)	20.0 (0.79)	22.0 (0.87)	22.0 (0.87)
h ₁	mm (in.)	5.5 (0.22)	9.0 (0.35)	9.0 (0.35)	11.0 (0.43)	9.0 (0.35)	11.0 (0.43)
d	mm (in.)	16.0 (0.63)	39.0 (1.54)	39.0 (1.54)	66.0 (2.60)	39.0 (1.54)	104.0 (4.09)
d ₁	mm (in.)	M 4 (M 4)	M 6 (M 6)	M 6 (M 6)	M 8 (M 8)	M 6 (M 6)	M 8 (M 8)

Ordering Information

Stainless steel DIN 1.4301	Part No.	836 85	836 86	836 87	836 89	836 90	836 91
Matching stud bolts	Part No.	839 10	839 11	839 11	839 13	839 11	839 13

CF Reducing Pieces



Dimensional drawing for the CF reducing pieces

For missing dimensions see "Technical Data" at the beginning of the Chapter "CF Flanges"

Technical Data

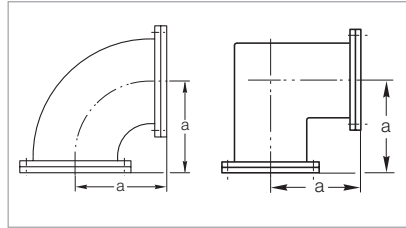
DN	CF	40	63	100	100	160
Outside diameter	in.	2.75	4.50	6.00	6.00	8.00
DN ₁	CF	16	40	40	63	100
h	mm (in.)	45.0 (1.77)	75.0 (2.95)	75.0 (2.95)	95.0 (3.74)	105.0 (4.13)
d (tube)	mm (in.)	18.0 (0.71)	40.0 (1.57)	40.0 (1.57)	70.0 (2.76)	108.0 (4.25)

Ordering Information

Stainless steel DIN 1.4301	Part No.	837 10	837 15	837 16	837 19	837 22
----------------------------	----------	---------------	---------------	---------------	---------------	---------------

Important: In the table of Chapter "General" the German designation for the type of steel is also stated in accordance with AISI.

Pipe Bend 90°; from DN 160 CF Mitred Elbow



Dimensional drawing for the pipe bends 90° (left) and the mitred elbows (right)

For missing dimensions see “Technical Data” at the beginning of the Chapter “CF Flanges”

Technical Data

DN	CF	16	40	63	100	160
Outside diameter	in.	1.33	2.75	4.50	6.00	8.00
a	mm (in.)	38.0 (1.50)	63.0 (2.48)	105.0 (4.13)	135.0 (5.32)	167.0 (6.58)

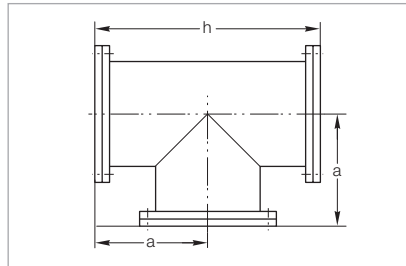
Ordering Information

Stainless steel DIN 1.4301

Elbow 90° with a rotatable flange	Part No.	836 04	836 05	836 06	836 07	836 08
-----------------------------------	----------	--------	--------	--------	--------	--------

Not suited for the mounting of turbo molecular pumps

Tees



Dimensional drawing for the tees

For missing dimensions see “Technical Data” at the beginning of the Chapter “CF Flanges”

Technical Data

DN	CF	16	40	63	100	160
Outside diameter	in.	1.33	2.75	4.50	6.00	8.00
a	mm (in.)	38.0 (1.50)	63.0 (2.48)	105.0 (4.13)	135.0 (5.32)	167.0 (6.58)
h	mm (in.)	76.0 (2.99)	126.0 (4.96)	210.0 (8.27)	270.0 (10.63)	334.0 (13.15)

Ordering Information

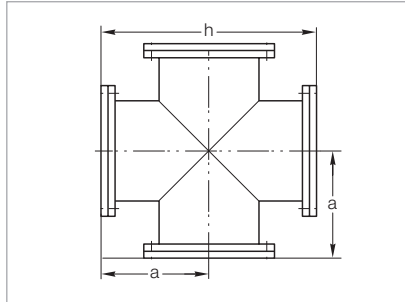
Stainless steel DIN 1.4301

Tee with a rotatable flange on each axis	Part No.	836 14	836 15	836 16	836 17	836 18
--	----------	--------	--------	--------	--------	--------

Not suited for the mounting of turbo molecular pumps

Important: In the table of Chapter “General” the German designation for the type of steel is also stated in accordance with AISI.

Crosses



Dimensional drawing for the crosses

For missing dimensions see "Technical Data" at the beginning of the Chapter "CF Flanges"

Technical Data

DN	CF	16	40	63	100	160
Outside diameter	in.	1.33	2.75	4.50	6.00	8.00
a	mm (in.)	38.0 (1.50)	63.0 (2.48)	105.0 (4.13)	135.0 (5.32)	167.0 (6.58)
h	mm (in.)	76.0 (2.99)	126.0 (4.96)	210.0 (8.27)	270.0 (10.63)	334.0 (13.15)

Ordering Information

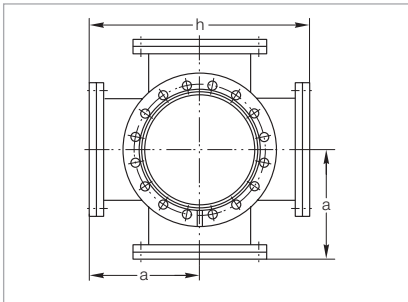
Stainless steel DIN 1.4301

Cross with a rotatable flange on each axis

Part No. **836 34** **836 35** **836 36** **836 37** **836 38**

Not suited for the mounting of turbo molecular pumps

Double Crosses



Dimensional drawing for the double crosses

For missing dimensions see "Technical Data" at the beginning of the Chapter "CF Flanges"

Technical Data

DN	CF	40	63	100	160
Outside diameter	in.	2.75	4.50	6.00	8.00
a	mm (in.)	63.0 (2.48)	105.0 (4.13)	135.0 (5.32)	167.0 (6.58)
h	mm (in.)	126.0 (4.96)	210.0 (8.27)	270.0 (10.63)	334.0 (13.15)

Ordering Information

Stainless steel DIN 1.4301

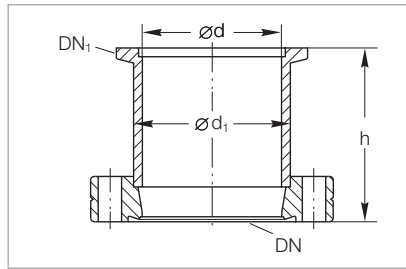
Double cross with a rotatable flange on each axis

Part No. **836 45** **836 46** **836 47** **836 48**

Not suited for the mounting of turbo molecular pumps

Important: In the table of Chapter "General" the German designation for the type of steel is also stated in accordance with AISI.

CF/ISO-KF Adaptors



Dimensional drawing for the CF/ISO-KF adaptors

For missing dimensions see "Technical Data" at the beginning of the Chapter "CF Flanges"

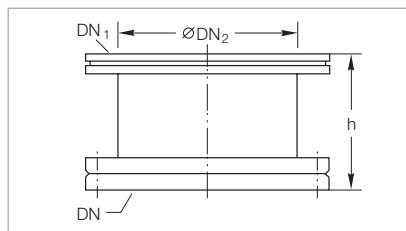
Technical Data

DN	CF	16	16	40	40	40	63
Outside diameter	in.	1.33	1.33	2.75	2.75	2.75	4.50
DN ₁	ISO-KF	16	25	16	25	40	40
d	mm (in.)	16.0 (0.63)	16.0 (0.63)	16.0 (0.63)	26.0 (1.02)	37.0 (1.36)	41.0 (1.61)
h	mm (in.)	35.0 (1.38)	35.0 (1.38)	30.0 (1.18)	30.0 (1.18)	50.0 (1.97)	35.0 (1.38)
d ₁ (tube)	mm (in.)	20.0 (0.79)	20.0 (0.79)	20.0 (0.79)	30.0 (1.18)	41.0 (1.61)	45.0 (1.77)

Ordering Information

Stainless steel DIN 1.4301	Part No.	837 81	837 83	837 82	837 84	837 36	837 86
----------------------------	----------	---------------	---------------	---------------	---------------	---------------	---------------

CF/ISO-K Adaptors



Dimensional drawing for the CF/ISO-K adaptors

For missing dimensions see "Technical Data" at the beginning of the Chapter "CF Flanges"

Technical Data

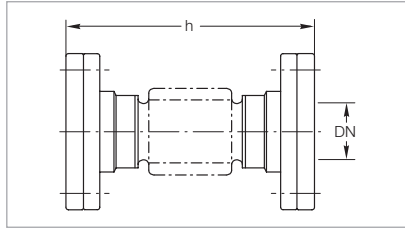
DN	CF	63	100	160
Outside diameter	in.	4.50	6.00	8.00
DN ₁	ISO-K	63	100	160
DN ₂	mm (in.)	66.0 (2.60)	104.0 (4.09)	153.0 (6.02)

Ordering Information

Stainless steel DIN 1.4301	Part No.	837 01	837 02	837 03
----------------------------	----------	---------------	---------------	---------------

Important: In the table of Chapter "General" the German designation for the type of steel is also stated in accordance with AISI.

Flexible Connecting Components (CF Bellows)



Dimensional drawing for the CF bellows

For missing dimensions see "Technical Data" at the beginning of the Chapter "CF Flanges"

Technical Data

DN	CF	16	40	63	100
Outside diameter	in.	1.33	2.75	4.50	6.00
h	mm (in.)	76 ±1.5 (2.99 ±0.06)	126 ±2.0 (4.96 ±0.08)	139 ±2.0 (5.47 ±0.08)	142 ±2.0 (5.59 ±0.08)

Ordering Information

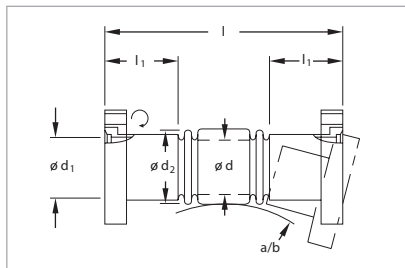
Stainless steel

CF bellows

with one rotatable flange

Part No.	880 01	880 02	880 03	880 04
----------	--------	--------	--------	--------

Flexible Connecting Components (CF Corrugated Hoses)



Dimensional drawing for the CF corrugated hoses

For missing dimensions see "Technical Data" at the beginning of the Chapter "CF Flanges"

Technical Data

DN	CF	16	40	16	40	16	16
Outside diameter	in.	1.33	2.75	1.33	2.75	1.33	1.33
l	mm (in.)	250.0 (9.84)	250.0 (9.84)	500.0 (19.69)	500.0 (19.69)	750.0 (29.53)	1000.0 (39.37)
l ₁	mm (in.)	23.0 (0.91)	23.0 (0.91)	23.0 (0.91)	23.0 (0.91)	23.0 (0.91)	23.0 (0.91)
d	mm (in.)	15.0 (0.59)	15.0 (0.59)	15.0 (0.59)	15.0 (0.59)	15.0 (0.59)	15.0 (0.59)
d ₁	mm (in.)	16.0 (0.63)	16.0 (0.63)	16.0 (0.63)	16.0 (0.63)	16.0 (0.63)	16.0 (0.63)
d ₂	mm (in.)	22.5 (0.89)	22.5 (0.89)	22.5 (0.89)	22.5 (0.89)	22.5 (0.89)	22.5 (0.89)
a	mm (in.)	70.0 (2.76)	70.0 (2.76)	70.0 (2.76)	70.0 (2.76)	70.0 (2.76)	70.0 (2.76)
b	mm (in.)	50.0 (1.97)	50.0 (1.97)	50.0 (1.97)	50.0 (1.97)	50.0 (1.97)	50.0 (1.97)

Ordering Information

Stainless steel

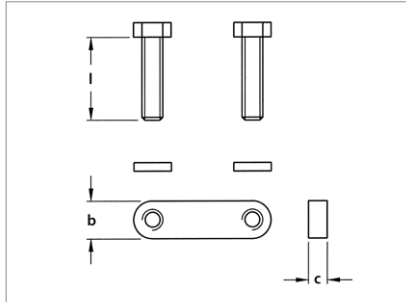
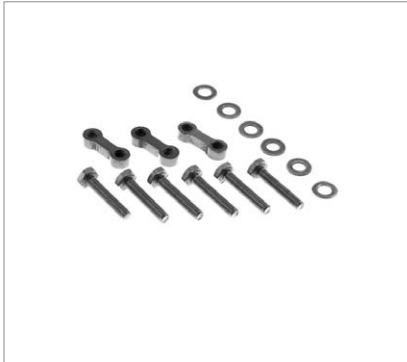
CF corrugated hose

with one rotatable flange

Part No.	885 56	885 57	885 68	885 69	885 65	885 73
----------	--------	--------	--------	--------	--------	--------

Important: In the table of Chapter "General" the German designation for the type of steel is also stated in accordance with AISI.

Bolts with Bolt Nut Plate and Washers



Dimensional drawing for the bolts with bolt nut plate and washers

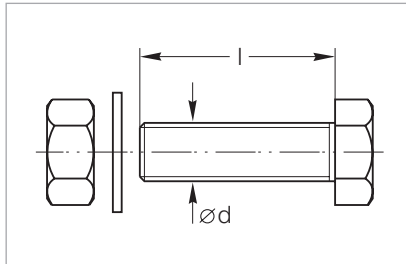
Technical Data

DN	CF	16	40	63	100/160
Outside diameter	in.	1.33	2.75	4.50	6.00/8.00
Dimensions (d x l)	mm (in.)	M 4 x 20 (M 4 x 0.79)	M 6 x 35 (M 6 x 1.38)	M 8 x 45 (M 8 x 1.77)	M 8 x 55 (M 8 x 2.17)
l	mm (in.)	20.0 (0.79)	35.0 (1.38)	45.0 (1.77)	55.0 (2.15)
b	mm (in.)	7.0 (0.28)	10.0 (0.39)	12.0 (0.47)	12.0 (0.47)
c	mm (in.)	4.0 (0.16)	5.0 (0.20)	8.0 (0.32)	8.0 (0.32)
Sealing torque	Nm (lbf-in)	4 (35.40)	10 (88.51)	20 (177.02)	20 (177.02)
Quantity per set					
Bolts		6	6	8	20
Bolt nut plate		3	3	4	10
Washers		6	6	8	20

Ordering information

Set	Part No.	838 87	838 88	838 89	838 91
-----	----------	--------	--------	--------	--------

Hexagon Bolts, Set for CF Flanges



Dimensional drawing for the hexagon bolts for CF flanges

Technical Data

DN	CF	16	40	63	100	160	200	250
Outside diameter	in.	1.33	2.75	4.50	6.00	8.00	10.00	12.00
Dimensions (d x l)	mm (in.)	M 4 x 20 (M 4 x 0.79)	M 6 x 35 (M 6 x 1.38)	M 8 x 45 (M 8 x 1.77)	M 8 x 50 (M 8 x 1.97)	M 8 x 55 (M 8 x 2.17)	M 8 x 60 (M 8 x 2.36)	M 8 x 60 (M 8 x 2.36)
Sealing torque	Nm (lbf-in)	4 (35.40)	10 (88.51)	20 (177.02)	20 (177.02)	20 (177.02)	20 (177.02)	20 (177.02)
Quantity per set								
Bolts		25	25	25	25	25	25	25
Nuts		25	25	25	25	25	25	25
Washers		25	25	25	25	25	25	25

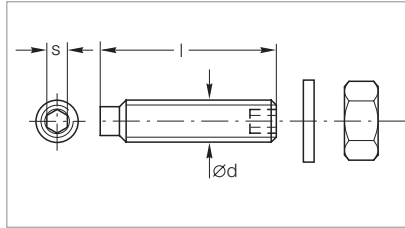
Ordering information

Set	Part No.	839 00	839 01	838 81	839 04	839 05	839 07	839 07 ¹⁾
-----	----------	--------	--------	--------	--------	--------	--------	----------------------

¹⁾ 2 sets are required

Important: In the table of Chapter "General" the German designation for the type of steel is also stated in accordance with AISI.

Set Screws, Nuts and Washers for CF Flanges



Dimensional drawing for the set screws, nuts and washers for CF flanges

Technical Data

DN	CF	16	40	63 - 100
Dimensions (d x l)	mm (in.)	M 4 x 20 (M 4 x 0.79)	M 6 x 35 (M 6 x 1.38)	M 8 x 45 (M 8 x 1.77)
s	mm (in.)	2.0 (0.08)	3.0 (0.12)	4.0 (0.16)
Sealing torque	Nm (lbf-in)	4 (35.40)	10 (88.51)	20 (177.02)
Quantity per set				
Bolts		6	6	16
Nuts		6	6	16
Washers		6	6	16

Ordering information

Set	Part No.	839 10	839 11	839 13
-----	----------	--------	--------	--------

Important: In the table of Chapter "General" the German designation for the type of steel is also stated in accordance with AISI.

Observation Windows for Vacuum Systems

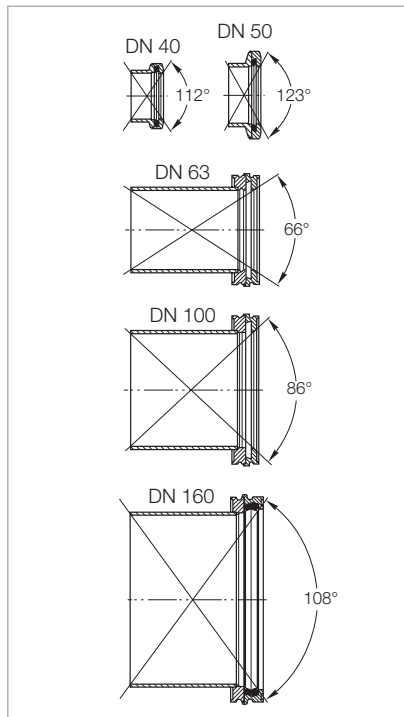


Observation of the phenomena in the vacuum chamber is very important for many vacuum processes. Measurements and monitoring can often be accomplished only by means of external instruments used under normal atmospheric pressure conditions.

This calls for highly transparent, rugged observation windows featuring a wide angle view.

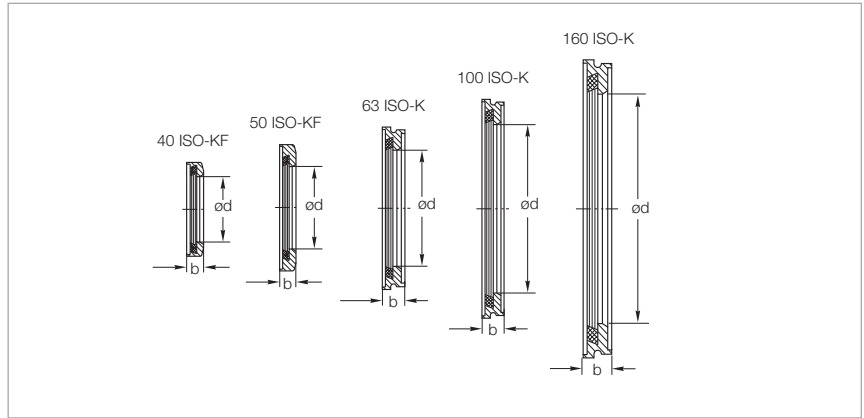
Advantages to the User

- Flat design
- Easy to fit and remove
- Easy to clean
- Wide viewing angle
- Can be baked out up to 150 °C (302 °F)
- May be combined with ISO-KF and ISO-K components
- No special mounting components are required
- The FPM (FKM) O-ring seals against the atmosphere (integrated centering ring)
- Each observation window is subjected to a leak test (thereby ensuring safe operation!)

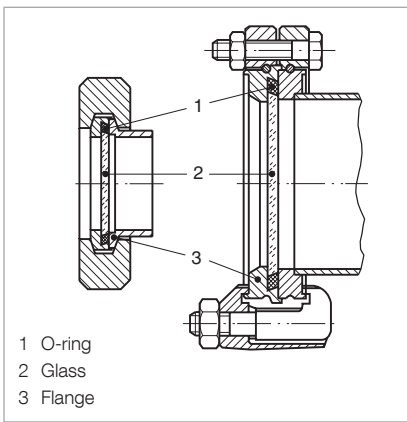


Viewing angle into vacuum chamber through observation window DN 40 ISO-KF - DN 160 ISO-K (mounting on matching flanges with tubulation)

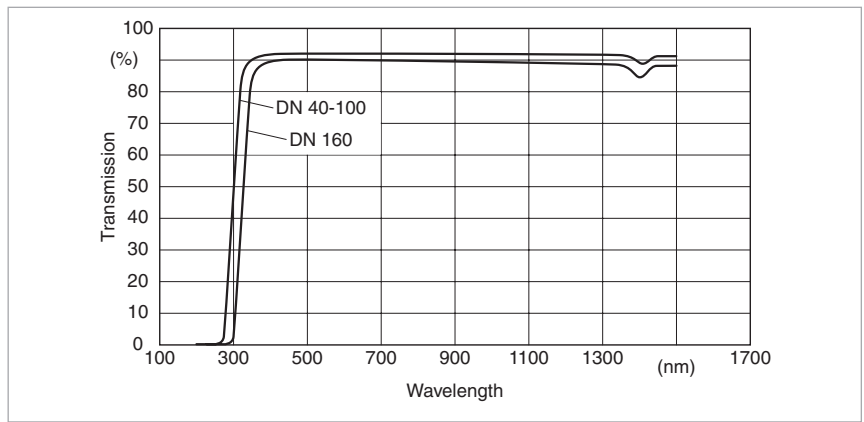
ISO-KF/ISO-K Observation Windows



Window dimensions for the observation windows



ISO-KF and ISO-K observation windows, fully installed



Transmittance as a function of the wavelength for Leybold viewports DN 40 ISO-KF to DN 160 ISO-K for different window thicknesses

Technical Data

Observation Windows

DN	40 ISO-KF	50 ISO-KF	-	-	-	
DN	-	-	63 ISO-K	100 ISO-K	160 ISO-K	
Thickness of glass window	mm (in.)	4.0 (0.16)	4.0 (0.16)	4.0 (0.16)	5.0 (0.20)	9.0 (0.35)
Diameter of glass window	mm (in.)	44.0 (1.73)	54.0 (2.13)	75.0 (2.95)	109.0 (4.29)	160.0 (6.30)
b	mm (in.)	10.0 (0.39)	10.0 (0.39)	13.5 (0.53)	13.0 (0.51)	17.0 (0.67)
d	mm (in.)	40.0 (1.57)	50.0 (1.97)	70.0 (2.76)	102.0 (4.02)	153.0 (6.02)
Viewing angle	°	112	123	66	86	108

The glass used is a borosilicate glass (BOROFLOAT® 33) with a refractive index of $n = 1.472$
 Dielectric number (at 25 °C (77 °F)) 4.8 at 1 MHz
 Flange material Stainless steel 1.4301
 Glass material Borosilicate
 O-ring material FPM (FKM)
 Leak rate $< 10^{-8}$ mbar x l/s

Ordering Information

Observation Windows

	Part No.	Part No.	Part No.	Part No.	Part No.
DN	40 ISO-KF	50 ISO-KF	-	-	-
DN	-	-	63 ISO-K	100 ISO-K	160 ISO-K
Observation Windows	210 131	210 132	210 133	210 134	210 135

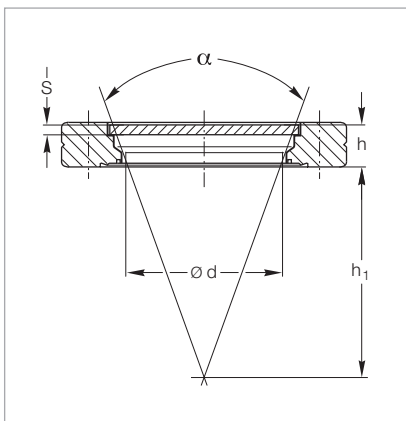
CF Observation Windows



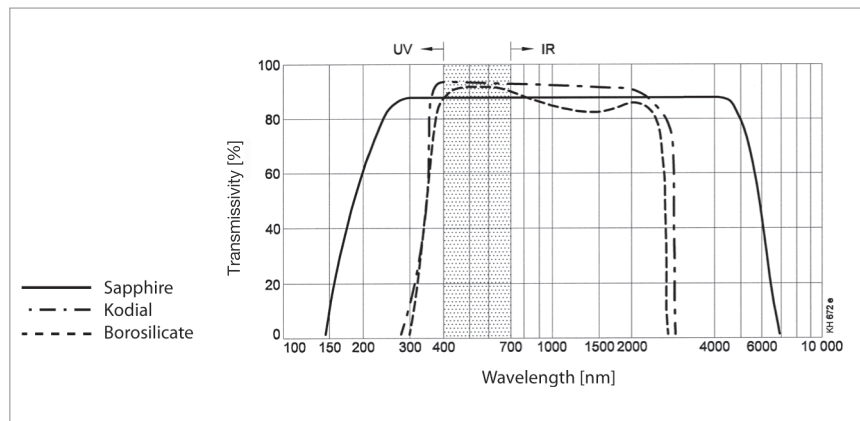
Standard glass is normally only used for visual observations, for photography of experiment details and, among other things, for pyrometer measurements.

Advantages to the User

- Optically plane-parallel glass surface up to just before the edge
- Flange with a wide viewing angle



Dimensional drawing for CF observation windows



Optical transmissivity for the CF observation windows

Technical Data

DN	CF	40	63	100	160
Thickness of the glass (s)	mm (in.)	3.0 (0.12)	3.5 (0.14)	6.0 (0.24)	8.0 (0.32)
Diameter of viewing area (d)	mm (in.)	38.0 (1.50)	65.0 (2.56)	90.0 (3.54)	135.0 (5.32)
Viewing angle (α)	°	38.0	57	71	92
Spacing of the glass (h), approx.	mm (in.)	11.0 (0.43)	16.4 (0.65)	8.0 (0.32)	10.0 (0.39)
Viewing distance (h_1)	mm (in.)	50.0 (1.97)	50.0 (1.97)	50.0 (1.97)	50.0 (1.97)
Wavelength range	nm	400 to 3000	400 to 3000	400 to 3000	400 to 3000
Material		Vacon (compensation ring)	Vacon (compensation ring)	Vacon (compensation ring)	Vacon (compensation ring)
Mean transmission ratio	%	93 in the visible range	93 in the visible range	93 in the visible range	93 in the visible range
Type of glass		Kodial	Kodial	Kodial	Kodial
Max. heating rate	min	5	5	5	5
Max. bakeout temperature	°C (°F)	400 (752)	400 (752)	400 (752)	400 (752)

Ordering Information

CF observation window	Part No.	210 112	210 114	210 115	210 116
-----------------------	----------	---------	---------	---------	---------

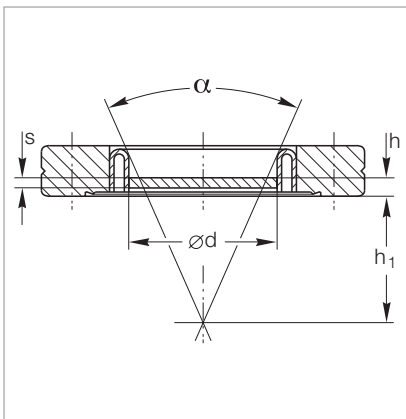
CF Sapphire Observation Windows



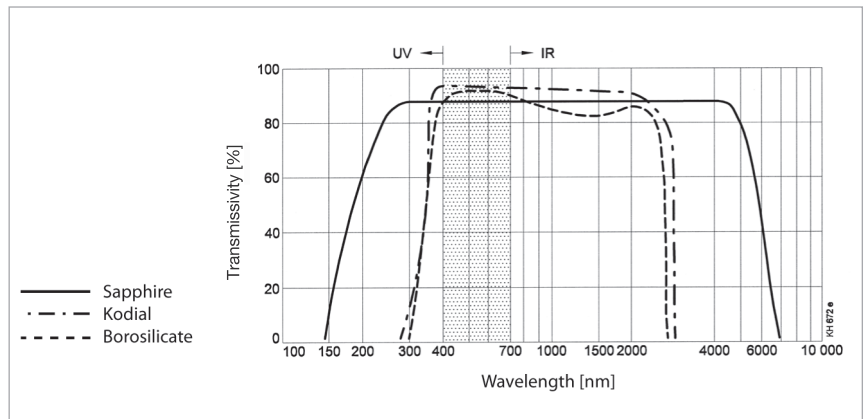
Sapphire exhibits a transmissivity range of 250 nm to 5500 nm. The infrared limit is shifted far in to the infrared range. For this reason, glass of this type is used in connection with sun simulation tests, Laser experiments, high-temperature plasma measurements and spectroscopic measurements, for example.

Advantages to the User

- Optically plane-parallel glass surface up to just before the edge



Dimensional drawing for the CF sapphire observation windows



Optical transmissivity for the CF Sapphire observation windows

Technical Data

DN	CF	40
Thickness of the glass (s)	mm (in.)	3.0 (0.12)
Diameter of viewing area (d)	mm (in.)	23.0 (0.91)
Viewing angle (α)	°	23
Spacing of the glass (h), approx.	mm (in.)	10.0 (0.39)
Viewing distance (h_1)	mm (in.)	50.0 (1.97)
Wavelength range	nm	250 to 5500
Mean transmission ratio	%	> 80
Type of glass		Sapphire
Max. heating rate	min	5
Max. bakeout temperature	°C (°F)	400 (752)

Ordering Information

CF sapphire observation windows	Part No.	210 122
---------------------------------	----------	----------------

Sales and Service

Germany

Leybold GmbH

Sales, Service, Support Center (3SC)
Bonner Strasse 498
D-50968 Cologne
T: +49-(0)221-347 1234
F: +49-(0)221-347 31234
sales@leybold.com
www.leybold.com

Leybold GmbH

Sales Area North
Branch Office Berlin
Industriestrasse 10b
D-12099 Berlin
T: +49-(0)30-435 609 0
F: +49-(0)30-435 609 10
sales.bn@leybold.com

Leybold GmbH

Sales Office South
Branch Office Munich
Karl-Hammerschmidt-Strasse 34
D-85609 Aschheim-Dornach
T: +49-(0)89-357 33 9-10
F: +49-(0)89-357 33 9-33
sales.mn@leybold.com
service.mn@leybold.com

Leybold Dresden GmbH Service Competence Center

Zur Wetterwarte 50, Haus 304
D-01109 Dresden
Service:
T: +49-(0)351-88 55 00
F: +49-(0)351-88 55 041
info.dr@leybold.com

Europe

Belgium

Leybold Nederland B.V.

Belgisch bijkantoor
Leuvensesteenweg 542-9A
B-1930 Zaventem
Sales:
T: +32-2-711 00 83
F: +32-2-720 83 38
sales.zv@leybold.com
Service:
T: +32-2-711 00 82
F: +32-2-720 83 38
service.zv@leybold.com

France

Leybold France S.A.S.

Parc du Technopolis, Bâtiment Beta
3, Avenue du Canada
F-91940 Les Ulis cedex
Sales and Service:
T: +33-1-69 82 48 00
F: +33-1-69 07 57 38
info.ctb@leybold.com
sales.ctb@leybold.com

Leybold France S.A.S.

Valence Factory
640, Rue A. Bergès
B.P. 107
F-26501 Bourg-lès-Valence Cedex
T: +33-4-75 82 33 00
F: +33-4-75 82 92 69
marketing.vc@leybold.com

Great Britain

Leybold UK LTD.

Unit 9
Silverglade Business Park
Leatherhead Road
Chessington
Surrey (London)
KT9 2QL
Sales:
T: +44-13-7273 7300
F: +44-13-7273 7301
sales.ln@leybold.com
Service:
T: +44-13-7273 7320
F: +44-13-7273 7303
service.ln@leybold.com

Italy

Leybold Italia S.r.l.

Via Trasimeno 8
I-20128 Mailand
Sales:
T: +39-02-27 22 31
F: +39-02-27 20 96 41
sales.mi@leybold.com
Service:
T: +39-02-27 22 31
F: +39-02-27 22 32 17
service.mi@leybold.com

Netherlands

Leybold Nederland B.V.

Floridadreef 102
NL-3565 AM Utrecht
Sales and Service:
T: +31-(30) 242 63 30
F: +31-(30) 242 63 31
sales.ut@leybold.com
service.ut@leybold.com

Switzerland

Leybold Schweiz AG, Pfäffikon

Churerstrasse 120
CH-8808 Pfäffikon
Warehouse and shipping address:
Riedthofstrasse 214
CH-8105 Regensdorf
Sales:
T: +41-44-308 40 50
F: +41-44-302 43 73
sales.zh@leybold.com
Service:
T: +41-44-308 40 62
F: +41-44-308 40 60
service.zh@leybold.com

Spain

Leybold Spain, S.A.

C/. Huelva, 7
E-08940 Cornellà de Llobregat
(Barcelona)
Sales:
T: +34-93-666 43 11
F: +34-93-666 43 70
sales.ba@leybold.com
Service:
T: +34-93-666 46 11
F: +34-93-685 43 70
service.ba@leybold.com

Headquarter

Leybold GmbH
Bonner Strasse 498
D-50968 Cologne
T: +49-(0)221-347-0
F: +49-(0)221-347-1250
info@leybold.com

America

USA

Leybold USA Inc.

5700 Mellon Road
USA-Export, PA 15632
T: +1-724-327-5700
F: +1-724-325-3577
info.ex@leybold.com
Sales:
T: +1-724-327-5700
F: +1-724-333-1217
Service:
T: +1-724-327-5700
F: +1-724-325-3577

Brazil

Leybold do Brasil

Rod. Vice-Prefeito Hermenegildo Tonolli,
nº. 4413 - 6B
Distrito Industrial
Jundiá - SP
CEP 13.213-086
Sales and Service:
T: +55 11 3395 3180
F: +55 11 99467 5934
sales.ju@leybold.com
service.ju@leybold.com

Asia

P. R. China

Leybold (Tianjin) International Trade Co. Ltd.

Beichen Economic
Development Area (BEDA),
No. 8 Western Shuangchen Road
Tianjin 300400
China
Sales and Service:
T: +86-22-2697 0808
F: +86-22-2697 4061
F: +86-22-2697 2017
sales.tj@leybold.com
service.tj@leybold.com

India

Leybold India Pvt Ltd.

No. 82(P), 4th Phase
K.I.A.D.B. Plot
Bommasandra Industrial Area
Bangalore - 560 099
Indien
Sales and Service:
T: +91-80-2783 9925
F: +91-80-2783 9926
sales.bg@leybold.com
service.bg@leybold.com

Japan

Leybold Japan Co., Ltd.

Headquarters
Shin-Yokohama A.K.Bldg., 4th floor
3-23-3, Shin-Yokohama
Kohoku-ku, Yokohama-shi
Kanawaga 222-0033
Japan
Sales:
T: +81-45-471-3330
F: +81-45-471-3323
sales.yh@leybold.com

Leybold Japan Co., Ltd.

Tsukuba Technical Service Center
1959, Kami-yokoba
Tsukuba-shi, Ibaraki-shi 305-0854
Japan
Service:
T: +81-29 839 5480
F: +81-29 839 5485
service.iik@leybold.com

Malaysia

Leybold Malaysia

Leybold Singapore Pte Ltd.

No. 1 Jalan Hi-Tech 2/6
Kulim Hi-Tech Park
Kulim, Kedah Darul
Aman 09000
Malaysia
Sales and Service:
T: +604 4020 222
F: +604 4020 221
sales.ku@leybold.com
service.ku@leybold.com

South Korea

Leybold Korea Ltd.

3F. Jellzone 2 Tower
Jeongja-dong 159-4
Bundang-gu Sunnam-si
Gyeonggi-do
Bundang 463-384, Korea
Sales:
T: +82-31 785 1367
F: +82-31 785 1359
sales.bd@leybold.com
Service:
623-7, Upsung-Dong
Cheonan-Si
Chungcheongnam-Do
Korea 330-290
T: +82-41 589 3035
F: +82-41 588 0166
service.cn@leybold.com

Singapore

Leybold Singapore Pte Ltd.

8 Commonwealth Lane #01-01
Singapore 149555
Singapore
Sales and Service:
T: +65-6303 7030
F: +65-6773 0039
sales.sg@leybold.com
service.sg@leybold.com

Taiwan

Leybold Taiwan Ltd.

No 416-1, Sec. 3
Chunghsin Rd., Chutung
Hsinchu County 310
Taiwan, R.O.C.
Sales and Service:
T: +886-3-500 1688
F: +886-3-583 3999
sales.hc@leybold.com
service.hc@leybold.com



www.leybold.com