

ELECTROSTATIC SPRAY GUNS

External Charging System



Internal Charging System



E-MW50 EXTERNAL CHARGING SYSTEM

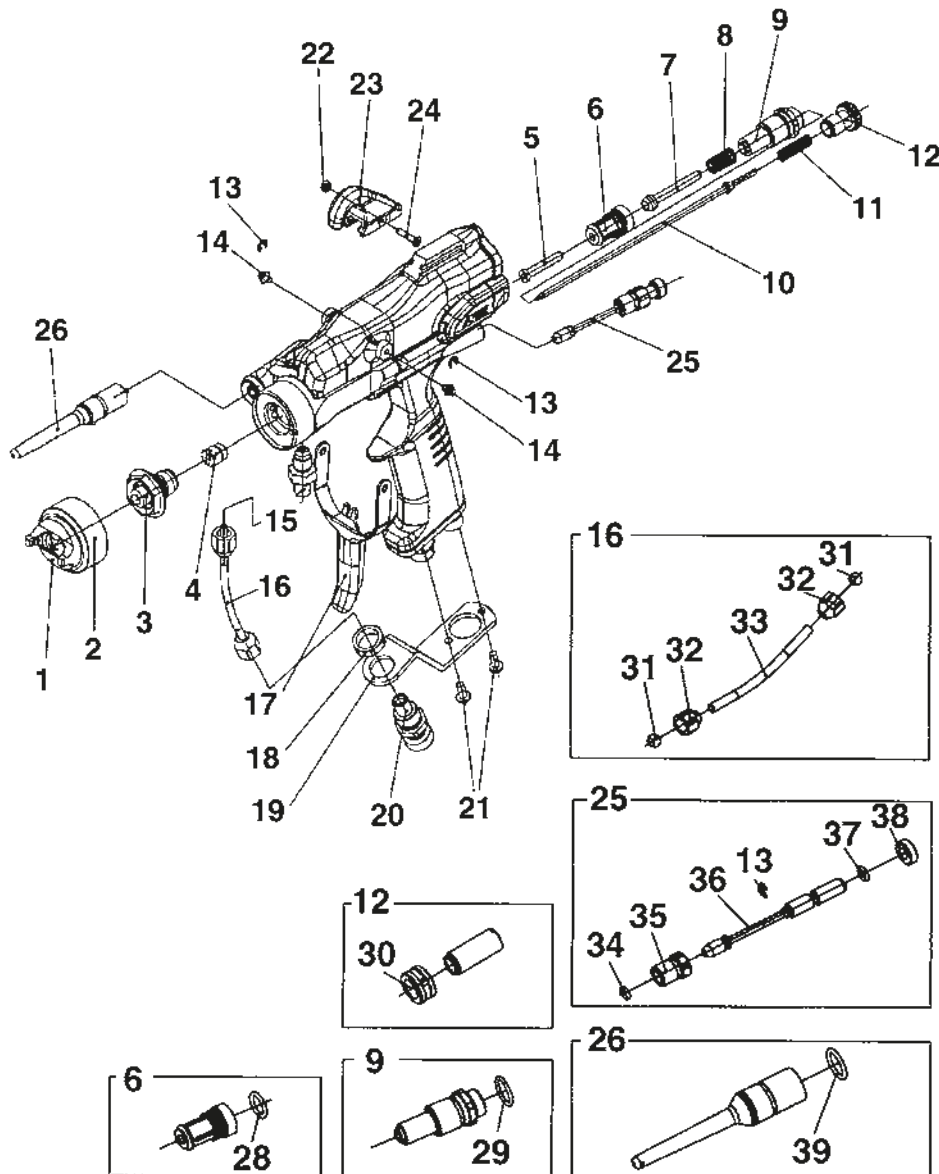


E-MW50

TECHNICAL		Ø mm	No.	L.V.	H.V.	m	g
E-MW50							
E-MW50-13C1X		1.1	C1	ACV24Vpp	DC-50KV	10	530

ORDER Information - E-MW50 Water-Based Electrostatic Gun

Code	Description	Voltage	\$
7066	E-MW50 WATER BASED ELECTROSTATIC GUN	-	4,400.00
7064	E-SC24BL-FM E/S ELECTROSTATIC CONTROLLER	AC 100-120V	2,400.00





E-SC24BL-FM



SPARE PARTS

Ref.	Code	Description	\$
1	93683030	AIR CAP C1	226.00
2	93675040	CAP COVER	95.00
3	93684030	FLUID NOZZLE (2) ø1.3 chamfered tip nozzle, for C1	202.00
4	93801080	NEEDLE PK SET	114.00
5	93551090	AIR VALVE SHAFT	107.00
6	93843530	AIR VALVE SEAT SET	20.00
7	93550090	AIR VALVE	33.00
8	93719530	AIR VALVE SPRING	8.00
9	93559090	FLUID ADJ. GUIDE SET	265.00
10	93502090	FLUID NEEDLE	130.00
11	93593530	NEEDLE SPRING	8.00
12	93594532	FLUID ADJ. KNOB	11.00
13	93912030	STOPPER (2 pcs./1 pk.)	4.00
14	93532090	TRIGGER STUD	49.00
15	93686000	FLUID JOINT for ø4 fluid tube - ø2 orifice	76.00
16	93604080	FLUID TUBE SET ø4 x ø2	65.00
17	93680040	TRIGGER	114.00
18	93687000	NUT	30.00
19	93553090	L STAY	91.00
20	93685040	FLUID NIPPLE 3/8" M - for ø4 fluid tube	84.00
21	96360042	SCREW	3.00
22	96071003	NUT	7.00
23	93533090	GUN HOOK	95.00
24	96074003	SCREW	8.00
25	93539090	PATTERN ADJ. SET	482.00
26	93696070	ELECTRODE BAR SET 30 S 30mm electrode	114.00
28	96638008	O RING	4.00
29	96997020	O RING	10.00
31	96876104	SLEEVE for ø4 fluid tube	4.00
32	96876004	JOINT NUT for ø4 fluid tube	8.00
34	96997012	O RING	8.00
37	96995986	O RING	8.00
39	96995948	O RING	77.00
40	93531090	TERMINAL SPRING	8.00
	7085	LOW VOLTAGE CABLE 10 m	746.00
	7086	LOW VOLTAGE CABLE 15 m (Option)	872.00
	7087	LOW VOLTAGE CABLE 20 m (Option)	999.00



E-M15B INTERNAL CHARGING SYSTEM

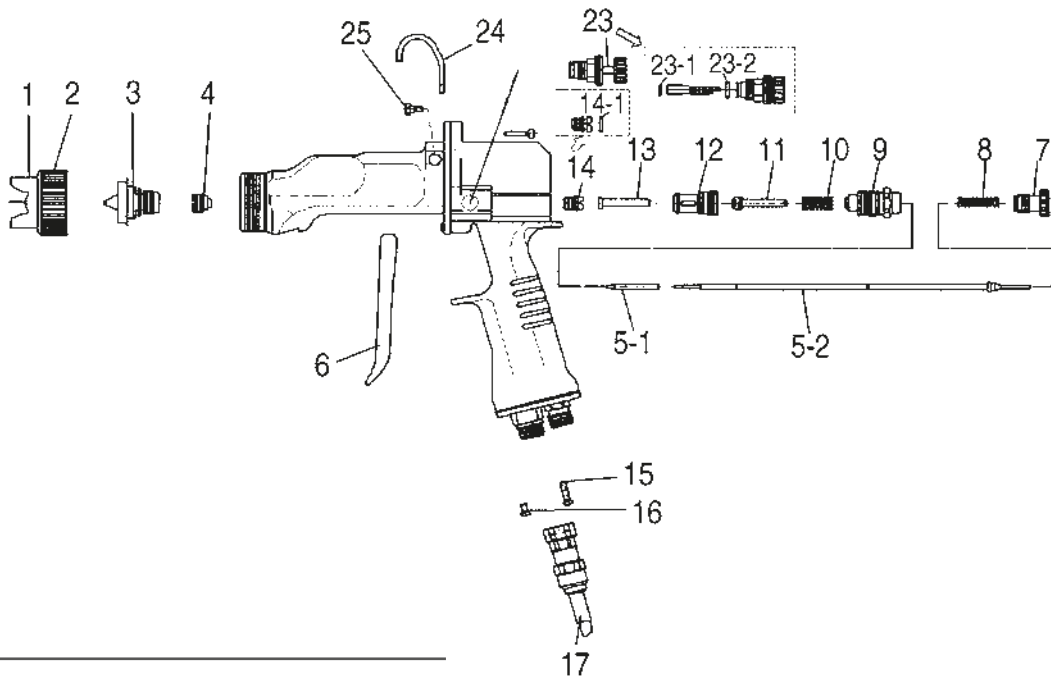


E-M15B

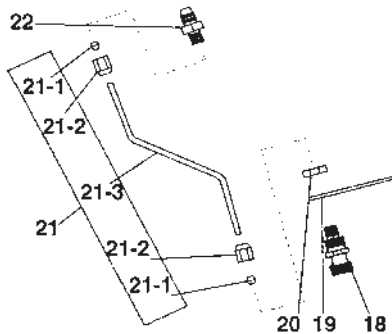
TECHNICAL		Ø mm	No.	L.V.	H.V.	m	g
E-M15B							
E-M15B-13C1X-S1		1.3	C1	AC12Vpp	DC-40KV	10	510

ORDER Information - E-M10B | Water Based & Low Resistance Paint

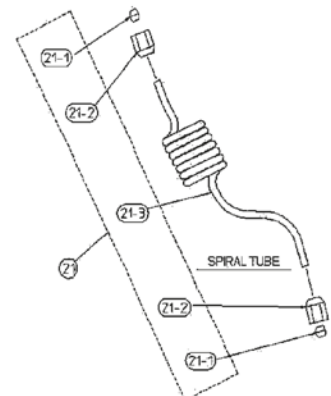
Code	Description	Voltage	\$
7080B	E-M15B ELECTROSTATIC SPRAY GUN	-	4,700.00
7081	E-SC12B-FM ELECTROSTATIC CONTROLLER	AC 200-240V	2,500.00



STRAIGHT TUBE



SPIRAL TUBE





E-SC12B-FM

Electrostatic **Controller**



SPARE PARTS

Ref.	Code	Description	\$
1	93683030	AIR CAP SET(2) C1	226.00
2	93675040	CAP COVER	95.00
3	93684030	FLUID NOZZLE (2) ø 1,3 for C1/C5	202.00
4	93801080	NEEDLE PACKING SET	114.00
5-1	93839000	FLUID NEEDLE SET	87.00
5-2	93803080	BAR SET	205.00
6	93680040	TRIGGER	114.00
7	93594532	FLUID ADJ. KNOB	11.00
8	93593530	NEEDLE SPRING	8.00
9	93807080	FLUID ADJ. GUIDE SET	96.00
10	93719530	AIR VALVE SPRING	8.00
11	93580080	AIR VALVE	37.00
12	93843530	AIR VALVE SEAT SET	20.00
12-1	96638008	O RING	4.00
13	93581080	AIR VALVE SHAFT	107.00
14	93809080	BAR PACKING SET	167.00
14-1	96997063	O RING	30.00
15	96360033	SCREW	3.00
16	96360032	SCREW	3.00
17	7085	LOW VOLTAGE CABLE 10m	746.00
18	93685040	FLUID NIPPLE 3/8" M - for ø4 fluid tube	84.00
18	93680050	FLUID NIPPLE Option 3/8" M - for ø6 fluid tube	84.00
19	93511080	FLUID JOINT STAY	91.00
20	93687000	NUT	30.00
21	93841060	FLUID TUBE SET	65.00
21	93848010	FLUID TUBE SET Option ø6 x ø4, L= 145 mm	72.00
21	93501100	FLUID HOSE SET Option ø6 x ø4, spiral	254.00
21	93844010	FLUID HOSE SET Option ø4 x ø2.0 spiral	228.00
21-1	96876104	SLEEVE for ø4 fluid tube	4.00
21-1	96876106	SLEEVE for ø6 fluid tube	4.00
21-2	96876004	JOINT NUT for ø4 fluid tube	9.00
21-2	96876520	JOINT NUT for ø6 fluid tube	8.00
22	93686000	FLUID JOINT for ø4 fluid tube - ø2.0 orifice	76.00
22	93683050	FLUID JOINT for ø6 fluid tube	76.00
23	93810080	PATTERN ADJ. SET	202.00
23-1	96997012	O RING	8.00
23-2	96997011	O RING	8.00
24	93510080	HOOK	95.00
25	93684010	TRIGGER SCREW	17.00
26	96350316	BOLT	3.00
27	96500304	SPRING WASHER	3.00
28	96382032	NUT	3.00





INDUSTRIAL APPLICATIONS - Price List 2017
Ed.02 June 2017

2

Electrostatic Spray Gun

