

# Dry Compressing Vacuum Pumps

## DIVAC

Diaphragm Vacuum Pumps

## SCROLLVAC

Scroll Vacuum Pumps

## ECODRY plus

Multi-Stage Roots Vacuum Pumps

## LEYVAC / SCREWLINE / DRYVAC

Screw Vacuum Pumps

## CLAWVAC

Claw Vacuum and Overpressure Pumps

220.00.02

Excerpt from the Leybold Full Line Catalog 2018

Catalog Part Dry Compressing Vacuum Pumps

# Contents

## Dry Compressing Vacuum Pumps

### Global Versions

#### Diaphragm Vacuum Pumps **DIVAC** . . . . . 4

##### General

DIVAC Program Overview . . . . . 4

The customized Diaphragm Pump and the Accessories recommended for your Applications . . . . . 5

Modular Diaphragm Pump System for the Chemical Laboratory . . . . . 5

##### Products

Diaphragm Vacuum Pumps for the Chemical Laboratory . . . . . 6

Dual-Stage Diaphragm Vacuum Pumps

DIVAC 0.6 L, 1.2 L, 2.2 L . . . . . 6

Three-Stage Diaphragm Vacuum Pumps

DIVAC 1.4 HV3C . . . . . 8

Dry Compressing Backing Pumps for Turbomolecular Pumps . . . . . 10

DIVAC 0.8 T and 0.8 LT . . . . . 12

DIVAC 1.4 HV3 and 3.8 HV3. . . . . 14

DIVAC 4.8 VT . . . . . 16

#### Scroll Vacuum Pumps **SCROLLVAC** . . . . . 18

##### Products

Oil-free Scroll Vacuum Pumps SCROLLVAC 7 plus to 18 plus . . . . . 18

Oil-free Scroll Vacuum Pumps SCROLLVAC SC 30 D to SC 60 D . . . . . 22

#### Multi-Stage Roots Vacuum Pumps **ECODRY plus**. . . . . 26

##### General

Applications for ECODRY plus Pumps . . . . . 26

##### Products

ECODRY 40 plus, ECODRY 65 plus . . . . . 27

<b>Screw Vacuum Pumps LEYVAC</b> . . . . .	31
<b>General</b>	
Applications for LEYVAC Pumps . . . . .	31
<b>Products</b>	
LEYVAC LV 80 to LV 250 . . . . .	32
<b>Screw Vacuum Pumps SCREWLINE</b> . . . . .	37
<b>General</b>	
Applications for SCREWLINE Pumps . . . . .	37
<b>Products</b>	
SCREWLINE SP 250 to SP 630 (F) . . . . .	38
<b>Screw Vacuum Pumps DRYVAC</b> . . . . .	48
<b>General</b>	
Applications for DRYVAC Pumps . . . . .	48
Oil for DRYVAC pumps, for different pump types . . . . .	48
Oil for DRYVAC pumps, for different fields of application . . . . .	49
<b>Products</b>	
DRYVAC DV 450 to DV 1200 -i . . . . .	50
<b>Dry Claw Pumps CLAWVAC</b> . . . . .	58
<b>General</b>	
Applications for CLAWVAC Pumps . . . . .	58
<b>Products</b>	
Vacuum Pumps CLAWVAC CP 65 to CP 300 . . . . .	58
Overpressure Pumps CLAWVAC OP 150 to OP 300 . . . . .	58

## DIVAC Program Overview

This range of vacuum pumps was developed especially for laboratory operations and as backing pumps for (wide range) turbomolecular pumps. It satisfies the highest expectations in terms of precision, reliability and ease of use.

The DIVAC line of vacuum pumps is the logical continuation of diaphragm pump technology which has proven its quality in decades of service.

### Laboratory Pumps

Through the laboratory pumps and the three different pumping speeds available for the same base pressure and through the modular design, the optimum pump system can be implemented for every application.

DIVAC L diaphragm pumps are suited for almost all requirements in the chemistry lab. They are basically corrosion and solvent resistant since their parts in contact with the pumped medium are made of PTFE (Teflon), FFPM (Kalrez) and PVDF (Solef).

### Backing Pumps

The DIVAC T range of diaphragm pumps comprises backing pumps which are used in all applications requiring an especially low base pressure while having to maintain an oil-free vacuum.

The DIVAC T pumps have been specially developed as backing pumps for wide range high vacuum turbomolecular pumps. They meet the requirements for a dry vacuum and a long service life.

DIVAC T pumps may be used both free-standing and integrated in applications or certain devices, and for this reason they are used in the areas of mass spectrometry, analytical and in general applications.

### Application Examples

#### Laboratory Pumps

- Vacuum filtration
- Vacuum distillation
- Vacuum drying
- To extract and transfer gases
- On rotary evaporators
- Gel drying

#### Backing Pumps

- Backing pump for wide range turbomolecular pumps
- Mass spectrometry
- Medicine technology
- Analytical technology
- General rough and medium vacuum applications

# The customized Diaphragm Pump and the Accessories recommended for your Applications

	Modular diaphragm pump system	Evacuating small devices (e.g. desiccator)	Sublimation	Analysis preparation	Filtration	Distillation	Drying in the drying cabinet	Drying cabinets (2 cabinets with 1 pump)	Rotary evaporator	Backing pumps for wide range turbomolecular pumps	Mass spectrometry	Medical technology	Analytical technology	General applications in the rough and medium vacuum range
<b>Application</b>														
DIVAC 0.6 L	■	■	■	■	■	■								■
DIVAC 1.2 L	■	■	■	■	■	■		■						■
DIVAC 2.2 L	■	■	■	■	■	■	■	■	■					■
DIVAC 1.4 HV3C	■	■	■	■	■	■	■	■	■	■	■	■	■	■
DIVAC 0.8 T									■	■	■	■	■	■
DIVAC 0.8 TL									■	■	■	■	■	■
DIVAC 1.4 HV3									■	■	■	■	■	■
DIVAC 3.8 HV3									■	■	■	■	■	■
DIVAC 4.8 VT									■	■	■	■	■	■

## Modular Diaphragm Pump System for the Chemical Laboratory

### Advantages to the User

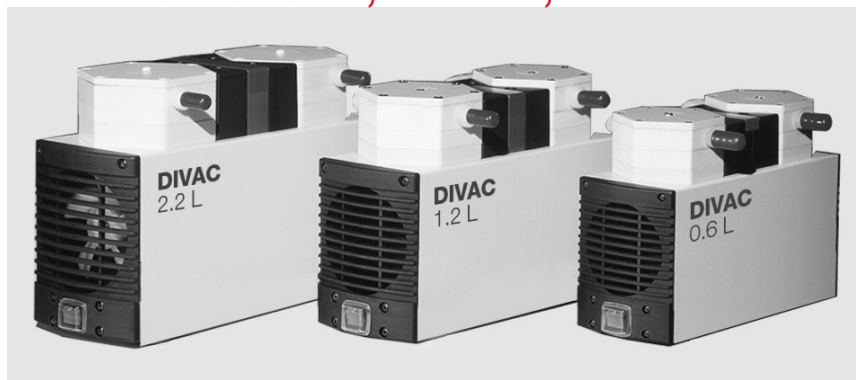
- Low base vacuum of 8 mbar (6 Torr) for two-stage and 2 mbar (1.5 Torr) for three-stage DIVAC
- All parts of the pump head in contact with the gas are resistant against aggressive media through the use of PTFE (Teflon), FFPM (Kalrez) and PVDF (Solef)
- Dry compressing, oil-free
- Water vapor tolerance
- Low maintenance costs and long service intervals through the use of high-quality components which are well-proven
- Simple maintenance by staff of the customer
- Low noise operation
- Portable, compact, small footprint
- Can be operated in any orientation
- Overheat protection for the vacuum pump by means of a thermal fuse
- Available in four pumping speed categories

# Products

## Diaphragm Vacuum Pumps for the Chemical Laboratory

### Dual-Stage Diaphragm Vacuum Pumps

#### DIVAC 0.6 L, 1.2 L, 2.2 L

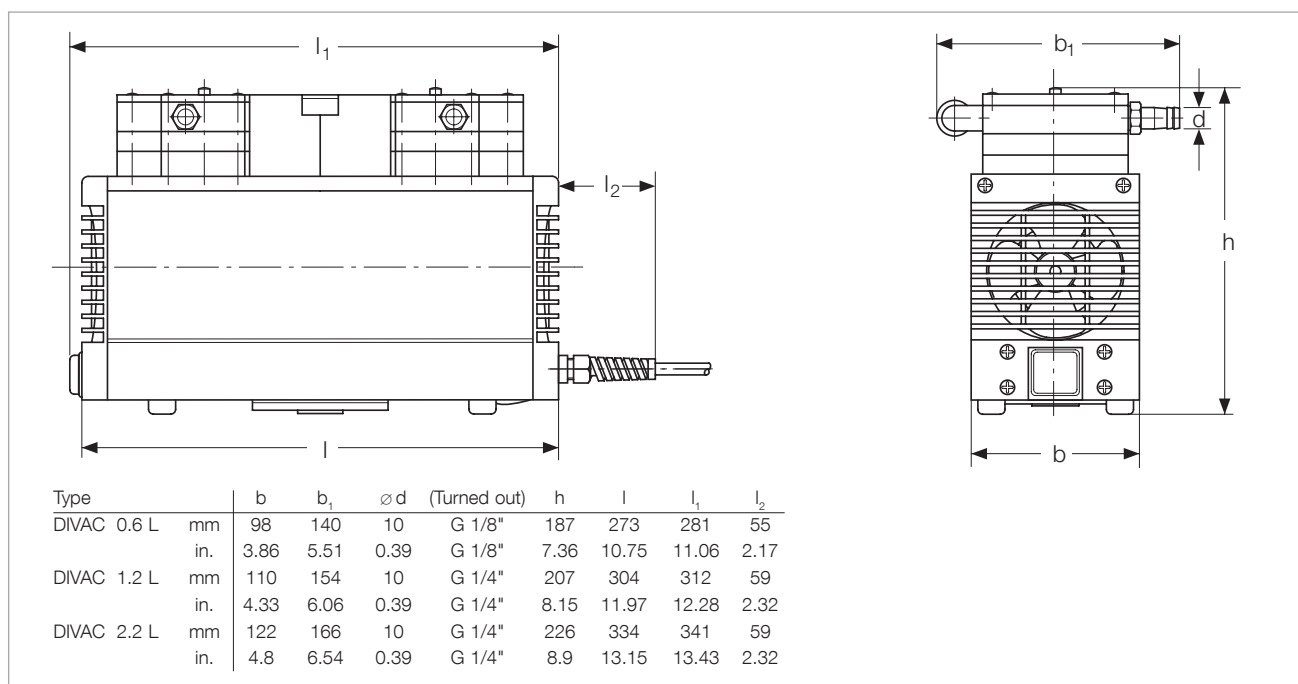


#### Typical Applications

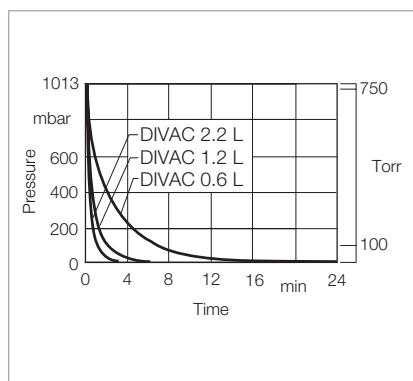
Vacuum generation for

- Rotary evaporators
- Drying chambers
- Filtration units
- Distillation configurations
- Gel dryers

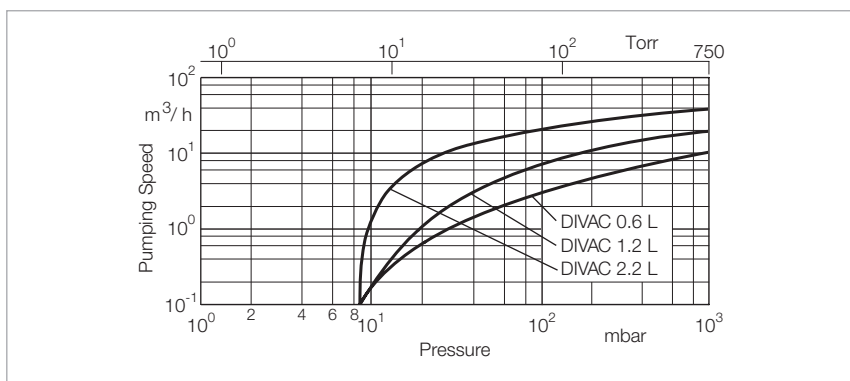
Dual-stage diaphragm vacuum pumps DIVAC 0.6 L, 1.2 L, 2.2 L



Dimensional drawing for the DIVAC 0.6 L, 1.2 L, 2.2 L



Curves of pump-down time of a 10 l vessel



Curves of pumping capacity

## Technical Data

## DIVAC

		0.6 L	1.2 L	2.2 L
Max. pumping speed (atm.)	m <sup>3</sup> /h <sup>1</sup> (cfm)	0.6 (0.4)	1.2 (0.7)	2.0 (1.2)
Ultimate pressure	mbar (Torr)	≤ 8 (≤ 6)	≤ 8 (≤ 6)	≤ 8 (≤ 6)
Max. exhaust back pressure (absolute)	mbar (Torr)	2000 (1500)	2000 (1500)	2000 (1500)
Pump heads		2	2	2
Connection				
Inlet (suction side)		Hose nozzle ID 10	Hose nozzle ID 10	Hose nozzle ID 10
Exhaust (delivery side)		Hose nozzle ID 10	Hose nozzle ID 10	Hose nozzle ID 10
Thread (suction and delivery side)	G	G 1/8"	G 1/4"	G 1/4"
Noise level acc. to DIN 45 635 Part 13, approx.	dB(A)	47	50	52
Permissible gas admission temperature, max.	°C (°F)	+5 to +40 (+41 to +104)	+5 to +40 (+41 to +104)	+5 to +40 (+41 to +104)
Permissible ambient temperature, max.	°C (°F)	+5 to +40 (+41 to +104)	+5 to +40 (+41 to +104)	+5 to +40 (+41 to +104)
Voltage / nominal frequency (1-ph. motor)				
Schuko plug	V / Hz	230 ± 10% / 50	230 ± 10% / 50	230 ± 10% / 50
NEMA plug	V / Hz	115 ± 10% / 60	115 ± 10% / 60	115 ± 10% / 60
NEMA plug	V / Hz	100 ± 10% / 50/60	100 ± 10% / 50/60	100 ± 10% / 50/60
Protective class	IP	44	44	44
Motor power <sup>1)</sup>	W	90	120	245
Current consumption <sup>1)</sup>	A	0.6	0.7	1.8
Motor speed				
50 Hz	min <sup>-1</sup>	1500	1500	1500
60 Hz	min <sup>-1</sup>	1800	1800	1800
Dimensions (W <sup>1)</sup> x H <sup>1)</sup> x D), approx.	mm (in.)	281 x 140 x 187 (11.06 x 5.51 x 7.36)	312 x 154 x 207 (12.28 x 6.06 x 8.15)	341 x 166 x 226 (13.43 x 6.54 x 8.9)
Weight, approx.	kg (lbs)	6.9 (15.2)	9.3 (20.5)	12.6 (27.8)
Material				
Pump head		PTFE (Teflon)	PTFE (Teflon)	PTFE (Teflon)
Structured diaphragm		PTFE coated	PTFE coated	PTFE coated
Valves		FFPM (Kalrez)	FFPM (Kalrez)	FFPM (Kalrez)
Nozzles		PVDF (Solef)	PVDF (Solef)	PVDF (Solef)

## Ordering Information

## DIVAC

	0.6 L	1.2 L	2.2 L
	Part No.	Part No.	Part No.
Diaphragm vacuum pump 230 V, 50 Hz, with 2.3 m (8 ft) power cord and Schuko plug	<b>135 00</b>	<b>135 06</b>	<b>135 12</b>
Diaphragm vacuum pump 230 V, 50/60 Hz, with 2.3 m (8 ft) power cord and Schuko plug	-	-	<b>135 11</b>
Diaphragm vacuum pump 100 V, 50/60 Hz, with 2.3 m (8 ft) power cord and NEMA plug	<b>135 02</b>	<b>135 08</b>	<b>135 14</b>
Diaphragm vacuum pump 115 V, 60 Hz, with 2.3 m (8 ft) power cord and NEMA plug	<b>135 03</b>	<b>135 09</b>	<b>135 15</b>
Spare parts kit consisting of 2 diaphragms, 4 gasket rings, 4 valve plates	<b>EK 135 23</b>	<b>EK 135 24</b>	<b>EK 135 25</b>
Hose nozzle kit consisting of 2 hose nipples, piping	-	<b>200 65 006</b>	<b>200 65 007</b>

<sup>1)</sup> For 230 V, 50 Hz version

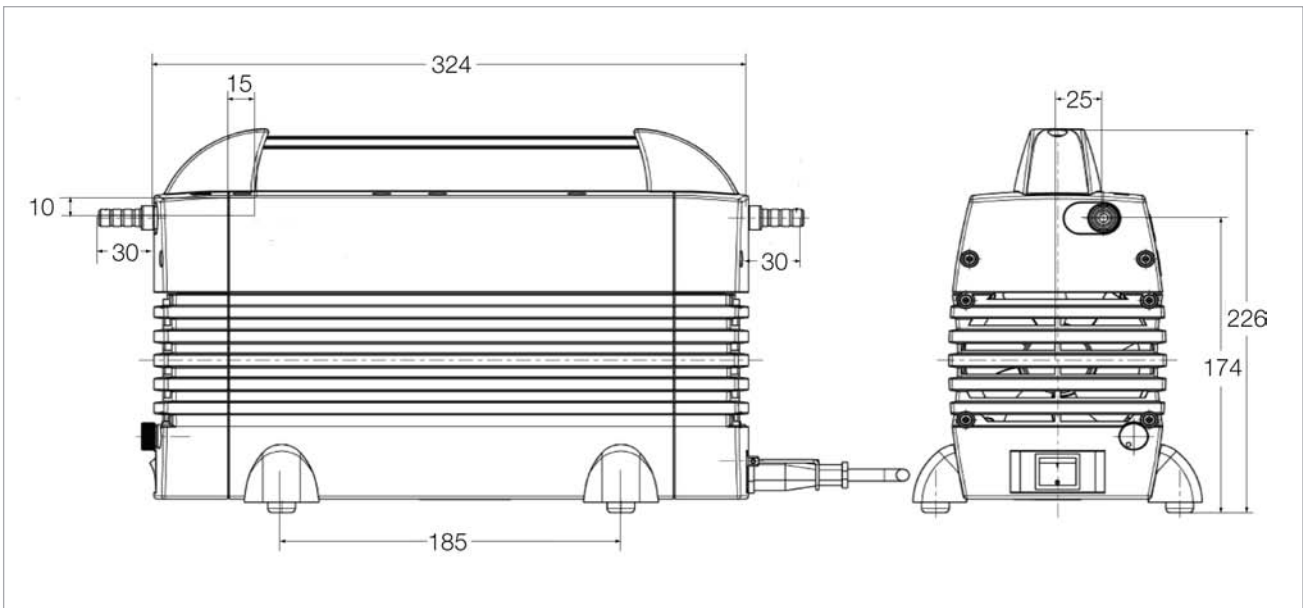
# Three-Stage Diaphragm Vacuum Pumps

## DIVAC 1.4 HV3C

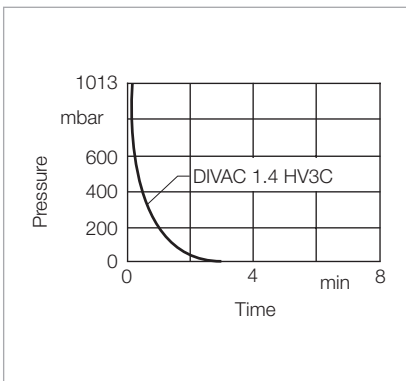


Three-stage diaphragm vacuum pump DIVAC 1.4 HV3C

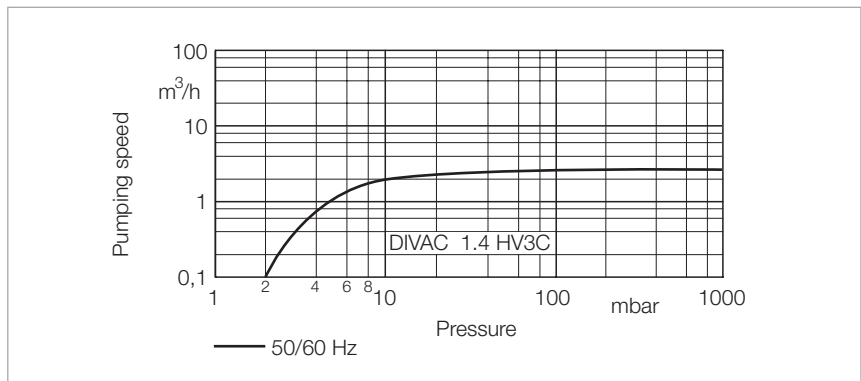
The DIVAC 1.4 HV3C is a three-stage diaphragm pump capable of resisting chemicals and offering an improved pumping performance. Its speed is infinitely variable from 700 to 1600 rpm so that the pumping speed of the pump can be easily adapted to differing requirements. The built-in textured diaphragm is made of EPDM and has been coated with PTFE. The valves are made of KALREZ® thereby ensuring excellent resistance also in connection with aggressive gases. Owing to the three-stage design, pressures of 2 mbar can be attained very easily.



Dimensional drawing for the DIVAC 1.4 HV3C



Curves of pump-down time of a 10 l vessel



Curves of pumping capacity



## Technical Data

## DIVAC 1.4 HV3C

Max. pumping speed	m <sup>3</sup> /h (cfm)	1.3 (0.77)
Ultimate pressure	mbar (Torr)	≤ 2.0 (≤ 1.5)
Max. exhaust back pressure (absolute)	mbar (Torr)	1500 (1125)
Pump heads		3
Connection		
Inlet (suction side)	DN	Hose nozzle ID 10
Exhaust (delivery side)	DN	Hose nozzle ID 10
Thread (suction and delivery side)	G	G 1/8"
Noise level acc. to DIN 45 635 Part 13, approx.	dB(A)	48
Permissible gas admission temperature	°C (°F)	+5 to +40 (+41 to +104)
Permissible ambient temperature	°C (°F)	+5 to +40 (+41 to +104)
Voltage / nominal frequency	V / Hz	90 – 230 / 50 – 60
Protective class	IP	20
Motor power <sup>1)</sup>	W	135
at ultimate pressure	W	35
Current consumption <sup>1)</sup>	A	1.3
Motor speed	min <sup>-1</sup>	700 to 1600
Dimensions (W x H x D), approx.	mm (in.)	324 x 158 x 226 (12.76 x 6.22 x 8.90)
Weight, approx.	kg (lbs)	8.6 (18.99)
Material		
Pump head		Ryton
Structured diaphragm		EPDM coated with PTFE
Valves		FFPM (Kalrez)
Nozzles		PTFE

## Ordering Information

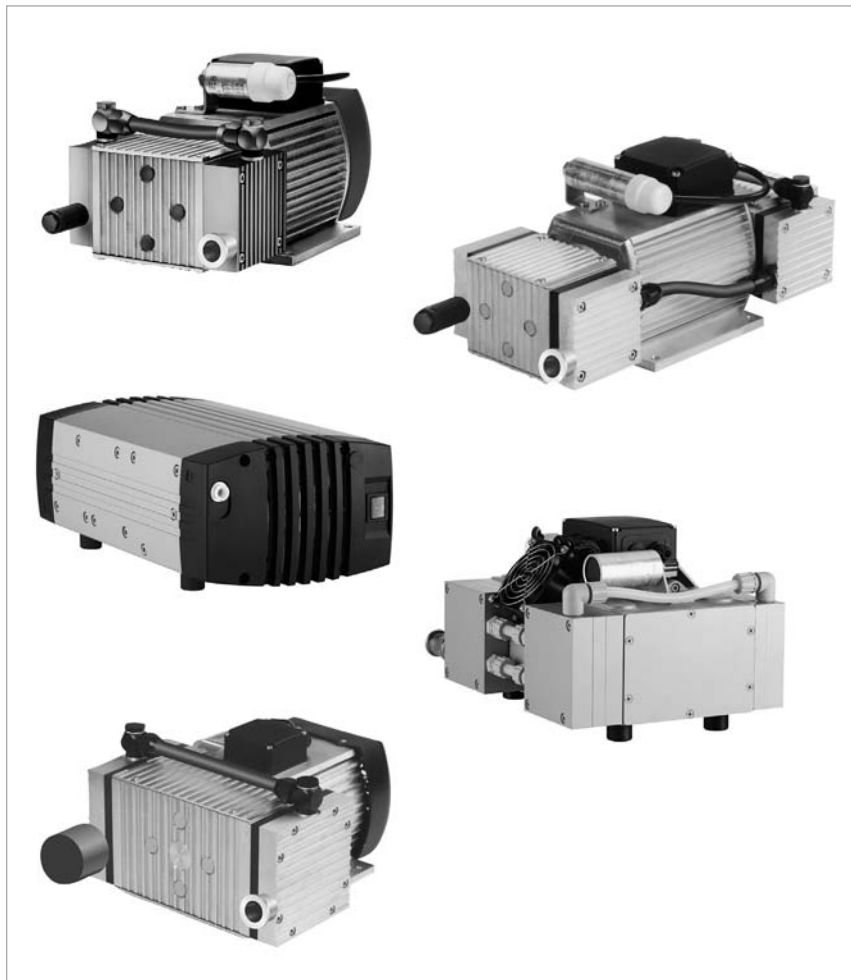
## DIVAC 1.4 HV3C

	Part No.
Diaphragm vacuum pump 90 – 230 V, 50 – 60 Hz, with 2.3 m (8 ft) power cord and Schuko plug	<b>135 20 V</b>
Accessories Exhaust silencer 1.4 with connection G 1/8"	<b>127 90 A</b>

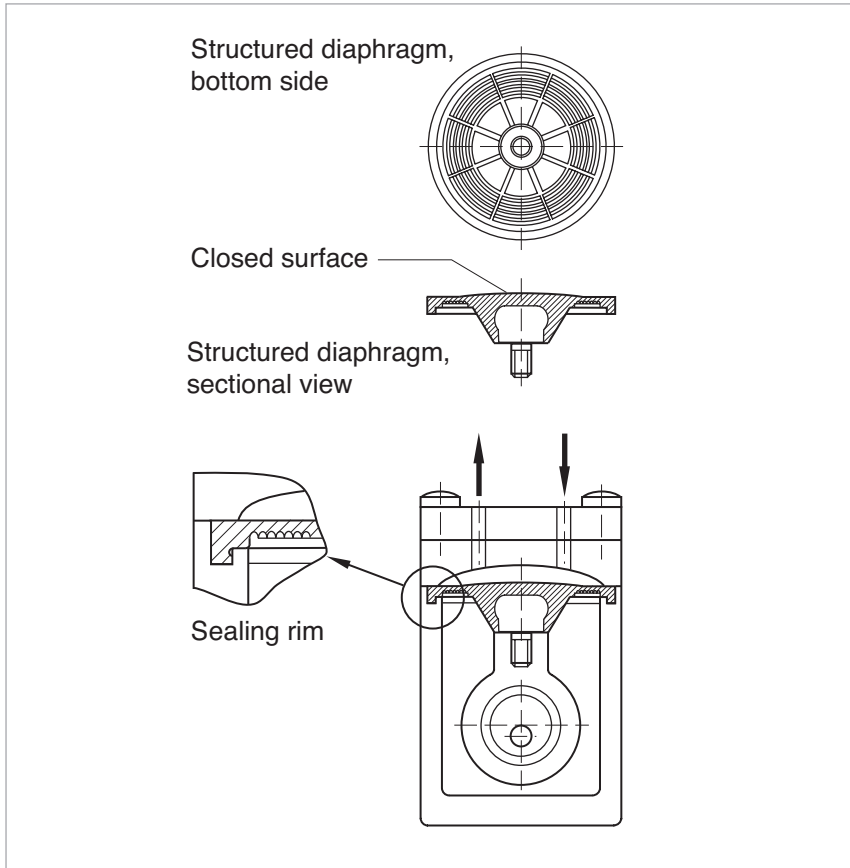
<sup>1)</sup> For 230 V, 50 Hz version

# Dry Compressing Backing Pumps for Turbomolecular Pumps

## DIVAC 0.8 T to 4.8 VT



Our dry compressing backing pumps from the DIVAC T series are now supplemented by the three-stage DIVAC 1.4 HV3 and the DIVAC 3.8 HV3. Like the proven DIVAC T series, these new models also ensure a forevacuum free of hydrocarbons. Owing to their three-stage design, they provide especially within the lower pressure ranges a higher pumping speed and are therefore even better suited as backing pumps for turbomolecular pumps. But they are also used as backing pumps operating in the rough and medium vacuum range to pump clean media.



Diaphragm pump with structured diaphragm

The structured diaphragm with its sealed surface provides the basis for a long service life and a low base pressure.

### Advantages to the User

- Dry compressing, free of oil and hydro-carbons
- Matched to the turbomolecular pumps from Leybold (SL 80 to TURBOVAC 450i)
- Low ultimate pressure
- ISO-KF flange at the intake port
- Fully equipped with cable, switch (ON/OFF) and plug
- Better performance and smaller size through the use of structured diaphragms
- Low vibration levels through dynamic mass balancing (in VT pumps)
- Lower maintenance costs and long maintenance intervals through the use of high-quality and well-proven components
- Simple maintenance
- Favourable price-to-performance ratio
- Can be operated in any position

### Typical Applications

- Backing pump for wide pressure range turbomolecular pumps
- Mass spectrometers
- Medical equipment
- Analyzes
- For laboratory applications also with corrosive media
- General use for rough and fine vacuum applications

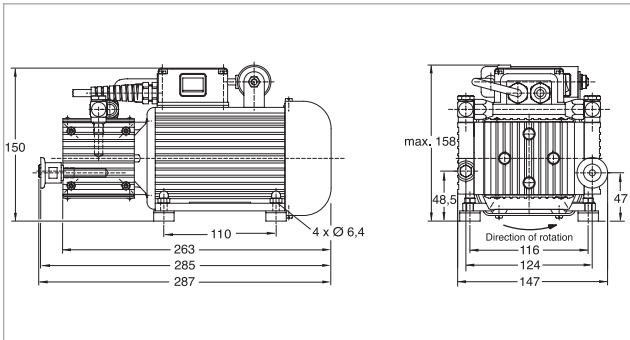
# DIVAC 0.8 T and 0.8 LT



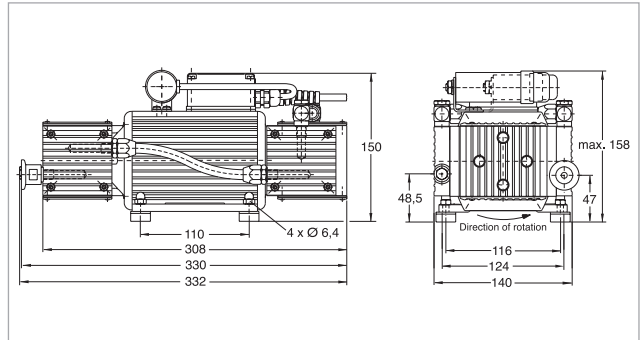
DIVAC 0.8 T



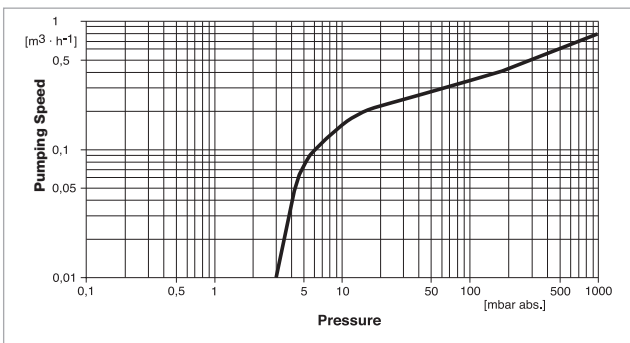
DIVAC 0.8 LT



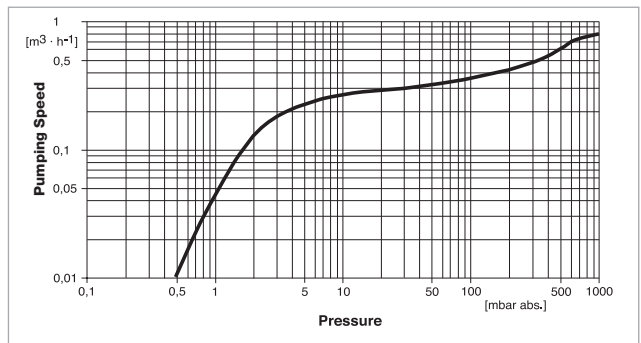
Dimensional drawing for the DIVAC 0.8 T



Dimensional drawing for the DIVAC 0.8 LT



Pumping speed curve of the DIVAC 0.8 T



Pumping speed curve of the DIVAC 0.8 LT

## Technical Data

## DIVAC

		0.8 T	0.8 LT
Max. pumping speed (atm.)	m <sup>3</sup> /h (cfm)	0.77 (0.45)	0.77 (0.45)
Ultimate pressure (absolute)	mbar (Torr)	≤ 3.0 (≤ 2.25)	≤ 0.5 (≤ 0.38)
Max. exhaust back pressure (absolute)	mbar (Torr)	2000 (1500)	2000 (1500)
Pump heads		2	4
Connection			
Inlet (suction side)	DN	16 KF	16 KF
Exhaust (delivery side)	DN	Silencer	Silencer
Thread (suction and delivery side)		G 1/8"	G 1/8"
Noise level acc. to DIN 45 635 Part 13, approx.	dB(A)	49	53
Permissible gas admission temperature	°C (°F)	+5 to +40 (+41 to +104)	+5 to +40 (+41 to +104)
Permissible ambient temperature	°C (°F)	+5 to +40 (+41 to +104)	+5 to +40 (+41 to +104)
Voltage / nominal frequency (1-ph. motor)			
Schuko plug	V / Hz	198 – 264 / 50/60	230 / 50 ± 10%
NEMA plug	V / Hz	90 – 127 / 50/60	115 / 60 ± 10%
Protective class	IP	44	44
Motor power	W	50	80
Current consumption	A	0.4	0.5
Nominal speed, approx. (50/60 Hz)	min <sup>-1</sup>	1500/1800	1500/1800
Dimensions (W x H x D), approx.	mm (in.)	285 x 150 x 150 (11.22 x 5.9 x 5.9)	332 x 150 x 150 (13.07 x 5.9 x 5.9)
Weight, approx.	kg (lbs)	5.9 (13.02)	7.5 (16.56)
Material			
Diaphragm		Neoprene	Neoprene
Valves		EPDM	EPDM
Pump head		Aluminum	Aluminum

## Ordering Information

## DIVAC

	0.8 T	0.8 LT
	Part No.	Part No.
Diaphragm vacuum backing pumps for turbomolecular pumps including 1 m (3.5 ft) long mains cord, country-specific plug, silencer, rubber feet, as well as ON/OFF switch 198 – 264 V / 50/60 Hz 230 V ± 10% / 50 Hz	<b>127 80</b> -	- <b>127 83</b>
Spare parts kit consisting of 2 diaphragms, 4 valves, 4 valve gaskets, 4 piping gaskets	<b>EK 127 95</b>	<b>EK 127 95 (2x)</b>
Exhaust silencer	<b>127 98</b>	<b>127 98</b>

T = For use in connection with Turbomolecular pumps

L = Very low ultimate pressure (Low pressure)

V = Low vibration levels (Low Vibration)

# DIVAC 1.4 HV3 and 3.8 HV3

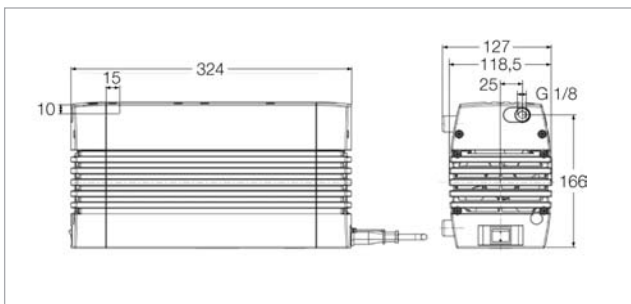


DIVAC 1.4 HV3

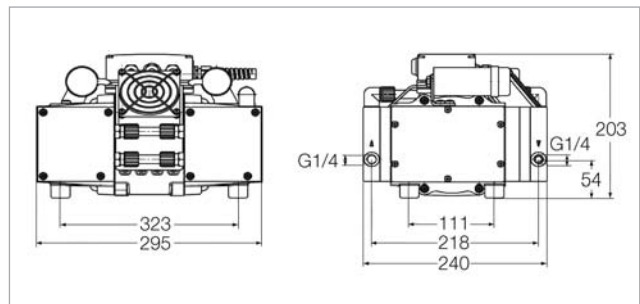


DIVAC 3.8 HV3

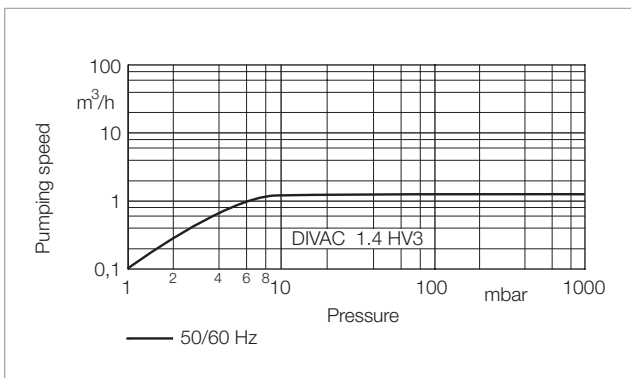
The three-stage DIVAC 1.4 HV3 and the DIVAC 3.8 HV3 provide especially in the lower pressure range a higher pumping speed compared to conventional diaphragm pumps. At the same time they are capable of attaining ultimate pressures below 2 mbar (1.5 Torr) and are thus very well suited as backing pumps for turbomolecular pumps. Owing to their compact design they are also suited for installation within pump systems.



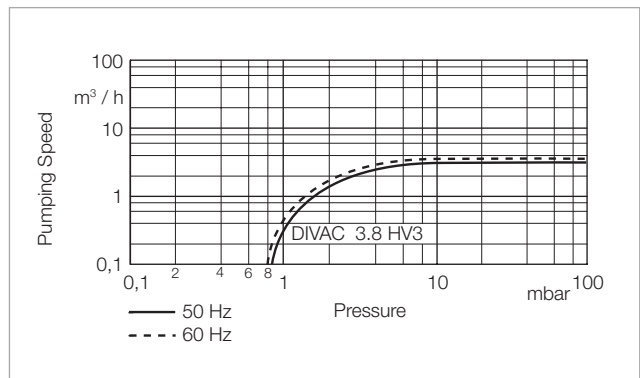
Dimensional drawing for the DIVAC 1.4 HV3



Dimensional drawing for the DIVAC 3.8 HV3



Pumping speed curve of the DIVAC 1.4 HV3



Pumping speed curve of the DIVAC 3.8 HV3

## Technical Data

## DIVAC

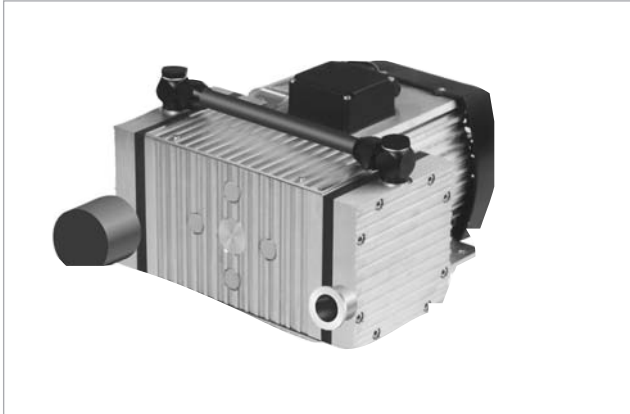
		<b>1.4 HV3</b>	<b>3.8 HV3</b>
Max. pumping speed			
50 Hz	m <sup>3</sup> /h (cfm)	1.3 (0.77)	3.4 (2.00)
60 Hz	m <sup>3</sup> /h (cfm)	–	3.8 (2.24)
Ultimate pressure	mbar (Torr)	≤ 1.5 (≤ 1.13)	≤ 1.0 (≤ 0.75)
Max. exhaust back pressure (absolute)	mbar (Torr)	1500 (1125)	1500 (1125)
Pump heads		3	3
Connection			
Inlet (suction side)		Hose nozzle ID 9	Hose nozzle ID 10
Exhaust (delivery side)		Hose nozzle ID 9	Hose nozzle ID 10
Thread (suction and delivery side)		G 1/8"	G 1/4"
Noise level acc. to DIN 45 635 Part 13, approx.	dB(A)	48	54
Permissible gas admission temperature, max.	°C (°F)	+5 to +40 (+41 to +104)	+5 to +40 (+41 to +104)
Permissible ambient temperature, max.	°C (°F)	+5 to +40 (+41 to +104)	+5 to +40 (+41 to +104)
Voltage / nominal frequency (1-ph. motor)			
Schuko plug	V / Hz	90 – 230 / 50-60	90 – 230 / 50-60
NEMA plug	V / Hz	–	115 / 50-60
Protective class	IP	20	20
Motor power	W	120	250
at ultimate pressure	W	35	190
Current consumption	A	1.3	1.7
Nominal speed, approx. (50/60 Hz)	min <sup>-1</sup>	1500	1500/1800
Dimensions (W x H x D), approx.	mm (in.)	324 x 158 x 226 (12.76 x 6.22 x 8.90)	295 x 240 x 203 (11.61 x 9.45 x 7.99)
Weight, approx.	kg (lbs)	10.5 (23.18)	18.9 (41.72)
Material			
Pump head		Aluminum	Aluminum
Structured diaphragm		EPDM	EPDM
Valves		EPDM	EPDM
Nozzles		PA	PA

## Ordering Information

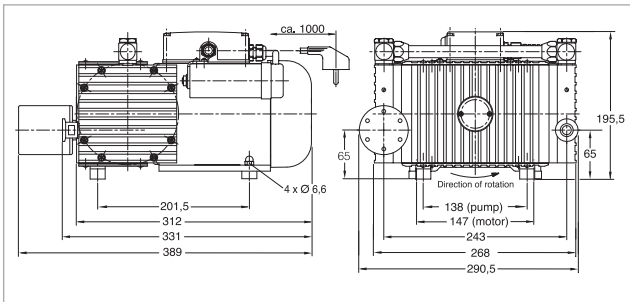
## DIVAC

	<b>1.4 HV3</b>	<b>3.8 HV3</b>
	<b>Part No.</b>	<b>Part No.</b>
Diaphragm vacuum backing pumps for turbomolecular pumps including 1 m (3.5 ft) long mains cord, country-specific plug, silencer, rubber feet, as well as ON/OFF switch		
90 – 230 V / 50 – 60 Hz	<b>127 90 V</b>	–
230 V / 50 – 60 Hz	–	<b>127 95 V</b>
115 V / 50 – 60 Hz	–	<b>127 96 V</b>
Exhaust silencer		
1.4 with connection G 1/8"	<b>127 90 A</b>	–
3.8 with connection G 1/4"	–	<b>127 95 A</b>
Spare parts kit	<b>EK057456</b>	<b>EK12768</b>

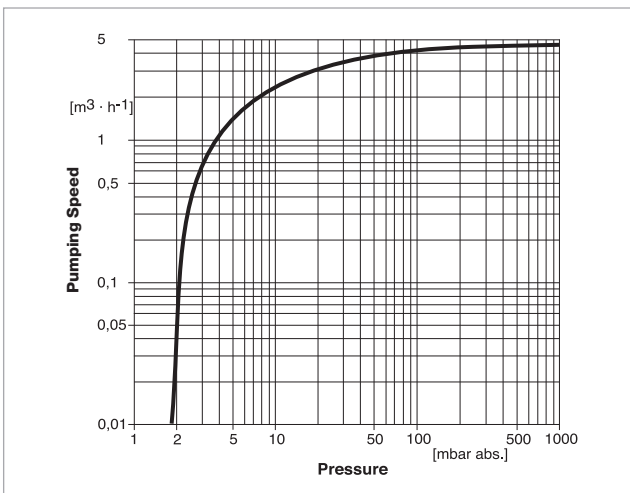
# DIVAC 4.8 VT



DIVAC 4.8 VT



Dimensional drawing for the DIVAC 4.8 VT



Pumping speed curve of the DIVAC 4.8 VT



## Technical Data

## DIVAC 4.8 VT

Max. pumping speed (atm.)	m <sup>3</sup> /h (cfm)	4.8 (2.83)
Ultimate pressure (absolute)	mbar (Torr)	≤ 2 (≤ 1.5)
Max. exhaust back pressure (absolute)	mbar (Torr)	2000 (1500)
Pump heads		2
Connection		
Inlet (suction side)	DN	16 KF
Exhaust (delivery side)	DN	Silencer
Thread (suction and delivery side)	G	G 3/8"
Noise level acc. to DIN 45 635 Part 13, approx.	dB(A)	55
Permissible gas admission temperature, max.	°C (°F)	+5 to +40 (+41 to +104)
Permissible ambient temperature, max.	°C (°F)	+5 to +40 (+41 to +104)
Voltage / nominal frequency (1-ph. motor)		
Schuko plug	V / Hz	230 / 50 ± 10%
NEMA plug	V / Hz	115 / 60 ± 10%
Protective class	IP	54
Motor power	W	350
Current consumption	A	2.6
Nominal speed, approx. (50 Hz)	min <sup>-1</sup>	1500
Dimensions (W x H x D), approx.	mm (in.)	324 x 273 x 220 (12.76 x 10.75 x 8.66)
Weight, approx.	kg (lbs)	18.0 (39.74)
Material		
Diaphragm		EPDM
Valves		Viton
Pump head		Aluminum

## Ordering Information

## DIVAC 4.8 VT

	Part No.
Diaphragm vacuum backing pumps for turbomolecular pumps including 1 m (3.5 ft) long mains cord, country-specific plug, silencer, rubber feet, as well as ON/OFF switch 230 V ± 10% / 50 Hz	<b>127 92</b>
Spare parts kit consisting of 2 diaphragms, 4 valves, 4 valve gaskets, 4 piping gaskets	<b>EK 127 97</b>
Exhaust silencer	<b>127 94</b>

T = For use in connection with Turbomolecular pumps

L = Very low ultimate pressure (Low pressure)

V = Low vibration levels (Low Vibration)

# Products

## Oil-free Scroll Vacuum Pumps SCROLLVAC 7 plus to 18 plus



Scroll vacuum pump SCROLLVAC 15 plus

### Advantage for the User

- Flexibility for customer requirements
- Four different pumping speeds available as required for the application
- Single- and Three-phase configurations available
- High robustness for each application
- ATEX certification (**Ex II 3 G c IIB T4**)
- Variants for aggressive applications available (SCROLLVAC C plus)
- High water vapour capacity
- Electronic-free three-phase variant for reduced radiation sensitivity
- Better work environment and low environmental impact
- quiet operation
- Simple operation
- intelligent and easy to use controls
- No contamination and no oil to dispose of
- hermetically sealed for a lubricant-free vacuum environment
- Low cost of ownership
- long service interval and low power consumption from a single sided scroll arrangement
- Maximised up-time
- long service intervals

### Typical Applications

- General clean pumping applications
- Scanning Electron Microscopes - SEM
- Beam lines and high energy physics
- Research and development
- Backing turbomolecular pumps
- Centrifuges, ultra-high speed
- Chamber evacuation
- Chemical applications including gel dryers and solvent recovery

In 1905 the principle of the scroll compressor was developed by the Frenchman Leon Creux.

SCROLLVAC plus is the next generation in completely oil free, dry scroll pumps by offering increased pumping speeds, combined with lower ultimate pressures, lower power consumption and lower noise. Gas ballast allows for pumping of condensable vapours including, water, solvents, dilute acids and bases. SCROLLVAC plus pumps also feature the latest in tip seal technology giving significantly longer life between tip seal changes. Integrated inverter drive with auto sensing voltage input delivers optimised pumping performance globally.

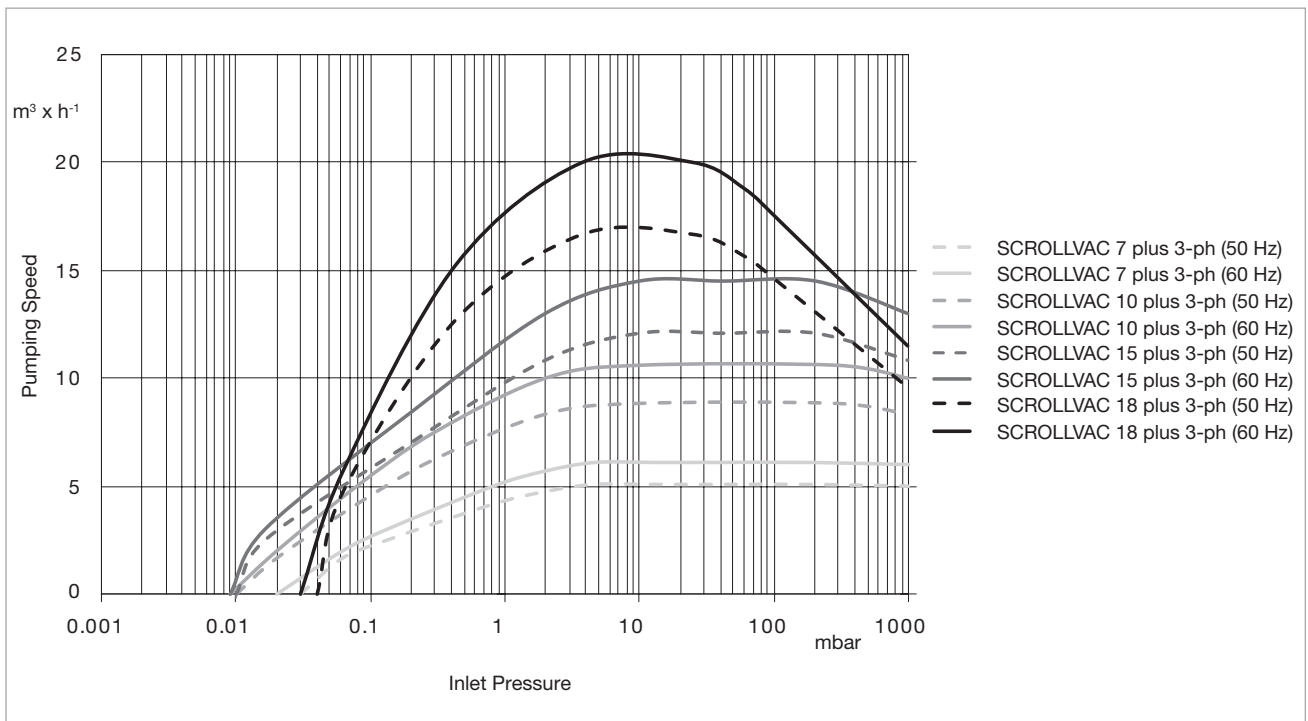
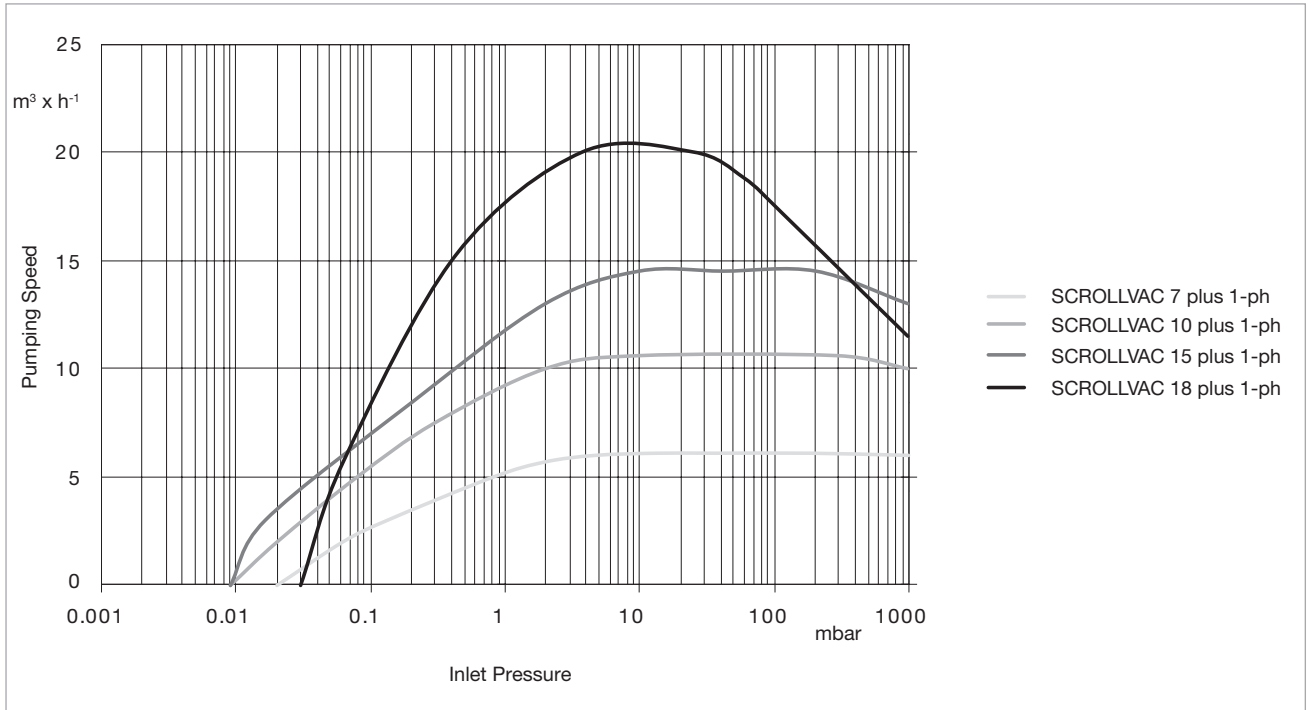
SCROLLVAC plus pumps are designed to be completely field serviceable.

### Service

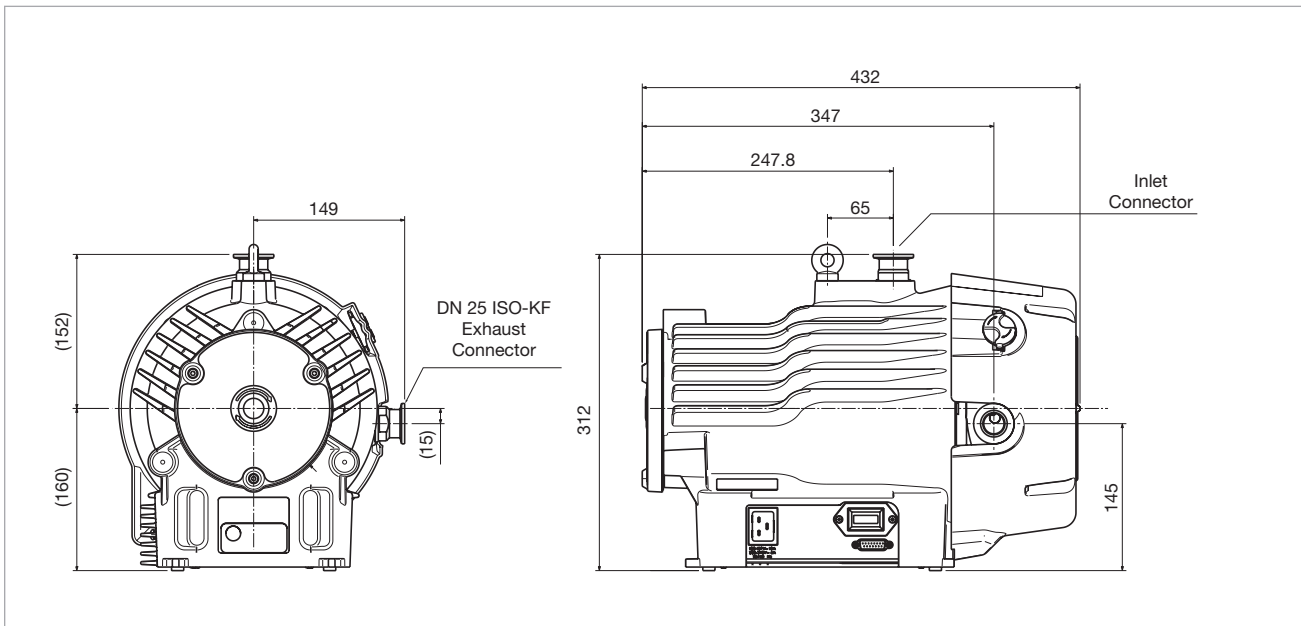
Our wide portfolio of services is designed with you in mind: to help keep your process and equipment running in the most economical and environmentally efficient manner.

Service include:

- Overhaul and repair using genuine Leybold OEM parts
- OEM spares and kits available for cost-effective expansion and backups
- Remanufactured products available for cost-effective expansions and backups
- Global network of expert field service engineers available to respond quickly to unexpected equipment failures



Pumping speed curves for the SCROLLVAC plus – pumps



Dimensional drawing for the scroll vacuum pumps SCROLLVAC 7 plus to SCROLLVAC 18 plus (dimensions in mm)

## Technical Data

## SCROLLVAC plus

		7	10	15	18
Rotation speed	rpm	1740			
Max. pumping speed	m <sup>3</sup> /h	6.1	10.6	14.5	20.0
Ultimate vacuum (total pressure)	mbar (Torr)	$2 \times 10^{-2}$ ( $1.5 \times 10^{-2}$ )	$9 \times 10^{-3}$ ( $6.5 \times 10^{-3}$ )	$9 \times 10^{-3}$ ( $6.5 \times 10^{-3}$ )	$3 \times 10^{-2}$ ( $2.25 \times 10^{-2}$ )
Maximum water vapour pumping rate (with gas ballast)	g/h	100	140	280	220
Maximum continuous inlet pressure	mbar	200			
Mains voltage 1-ph	V	100 – 127, 200 – 240 ( $\pm 10\%$ )			
Mains voltage 3-ph	V	200 / 380 – 415, 200 – 230 / 460			
Frequency	Hz	50/60			
Motor power (at ultimate pressure)	W	260	280	300	260
Power connector 1-ph		IEC EN60320 C19			
Weight	kg (lb)	26 (58)	25 (56)	26 (58)	25 (56)
Inlet flange		DN 25 ISO-KF			
Exhaust flange		DN 25 ISO-KF			
Noise level	dB(A)	55			
Leak tightness (Static)	mbar x l/s	$1 \times 10^{-6}$			
Operating temperature range	°C (°F)	10 to 40 / 41 to 104			

## Ordering Information

## SCROLLVAC plus

	<b>7</b>	<b>10</b>	<b>15</b>	<b>18</b>
	<b>Part No.</b>	<b>Part No.</b>	<b>Part No.</b>	<b>Part No.</b>
Oil-free scroll vacuum pump, Single-phase motor *				
Standard (with manual gas ballast)	<b>141007V10</b>	<b>141010V10</b>	<b>141015V10</b>	<b>141018V10</b>
C-Version (for aggressive applications)	-	-	<b>141015V12</b>	<b>141018V12</b>
Oil-free scroll vacuum pump, Three-phase motor *				
Standard (with manual gas ballast)	-	<b>141010V30</b>	<b>141015V30</b>	<b>141018V30</b>
C-Version (for aggressive applications)	-	<b>141010V32</b>	<b>141015V32</b>	<b>141018V32</b>
<b>Accessories Mains cable (required for pump operation)</b>				
Mains cable Europe				
CEE 7/7 (Schuko) – IEC-60320 C19				
Length 2.0 m	<b>161810EU</b>			
Mains cable Great Britain				
BS 1363 – IEC-60320 C19				
Length 2.0 m	<b>161810UK</b>			
Mains cable US				
115 V: NEMA 5-15P – IEC-60320 C19				
Length 3.0 m	<b>141103US</b>			
208/230 V: NEMA 6-15P – IEC-60320 C19				
Length 2.5 m	<b>161810US</b>			
<b>Optional accessories</b>				
Gas ballast adaptor blank (H-conversion KIT)	<b>141100A01</b>			
Gas ballast adaptor for external gas line – no restriction (Quick connect 1/4 inch)	<b>141100A02</b>			
Gas ballast adaptor for external gas line – with fine restriction (Quick connect 1/4 inch)	<b>141100A03</b>			
Chemical resistance conversion kit (C-conversion KIT)	<b>141101A01</b>	<b>141101A01</b>	<b>141101A01</b>	<b>141101A02</b>
Vibration isolators	<b>141102A01</b>			
Silencer	<b>141102A02</b>			
Minor Service Kit				
Standard (with manual gas ballast)	<b>EK117141000</b>	<b>EK117141000</b>	<b>EK117141000</b>	<b>EK117141001</b>
C-Version (for aggressive applications)	<b>EK117141002</b>	<b>EK117141002</b>	<b>EK117141002</b>	<b>EK117141003</b>

\* Other pump variants on request

# Oil-free Scroll Vacuum Pumps SCROLLVAC SC 30 D to SC 60 D



Scroll vacuum pump SCROLLVAC: SC 60 D (left), SC 30 D (right)

The pumps of the SCROLLVAC series expand the SCROLLVAC plus series to provide a higher suction capacity of 30 m<sup>3</sup>/h and 60 m<sup>3</sup>/h. Both versions are available with a three-phase motor, the 30 m<sup>3</sup>/h version also with AC motors for 115 V and 230 V mains voltage.

On the basis of the scroll principle, the pump chamber of the pumps is oil-free, so the risk of contamination of the vacuum chamber with hydrocarbons can be ruled out.

The pumps of the SCROLLVAC series reach their maximum suction capacity of atmospheric pressure up to 1 mbar and reach final pressures of  $< 1 \times 10^{-2}$  mbar, so that the pumps are ideally suited as backing pumps for turbomolecular vacuum pumps.

## Advantage for the User

- Absolutely oil-free
- High effective pumping speed
- Low ultimate pressure
- Low noise level
- Low vibration operation
- Atmospheric inlet pressure allowable
- Low weight
- Air cooling
- Low power consumption
- Integrated operating hours counter

## Typical Applications

- Electron beam welding
- Lasers
- Leak detection systems
- Accelerators / synchrotrons
- Surface analysis instruments
- Scanning electron microscopes
- Load lock
- Spectroscopy
- Lamp manufacturing
- As a backing pump for turbomolecular pump systems

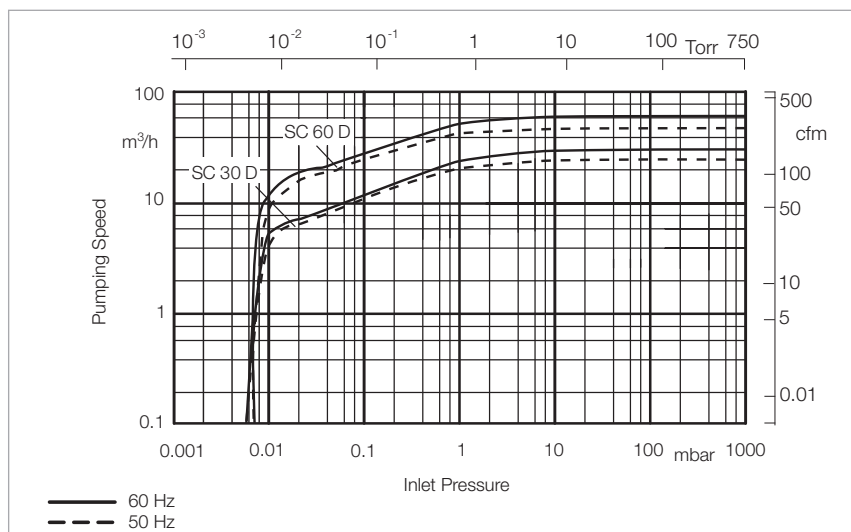
## Maintenance Intervals

In order to maintain the performance of the pump, a standard maintenance is required after a certain number of operating hours.

For this we are offering complete maintenance kits

- Small maintenance kit (Minor Kit) after 8,000 h or at latest after an operating time of 12 months
- Large maintenance kit (Major Kit) after 16,000 hours or at latest after an operating time of 24 months

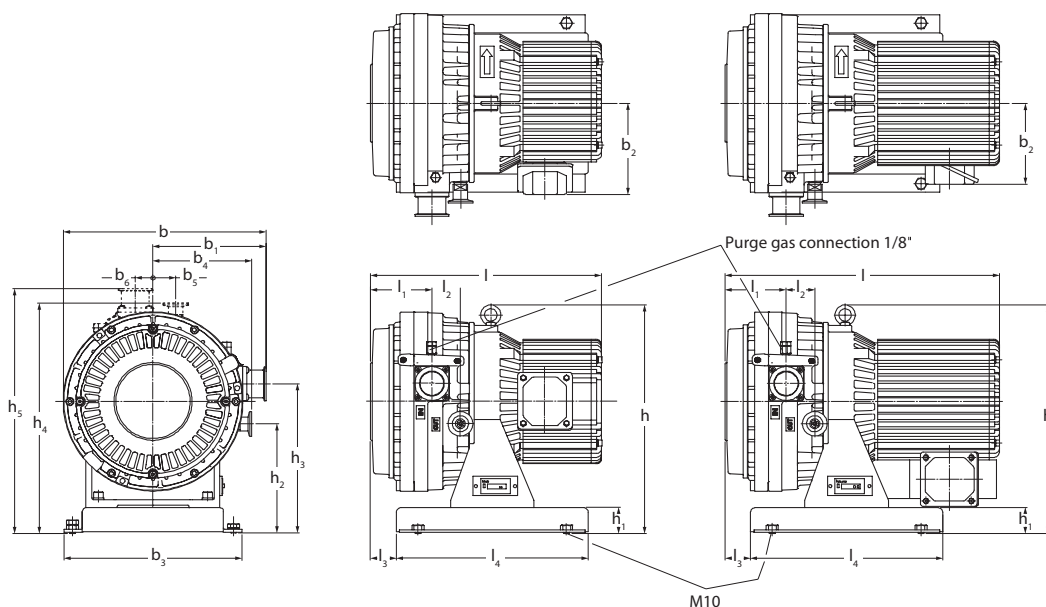
With the help of the integrated operating hours counter, the customer is always informed about the current runtime. Maintenance can be performed on-site by the customer with the maintenance packages available at Leybold.



Pumping speed curves for the scroll vacuum pumps SCROLLVAC SC - D

3 phase

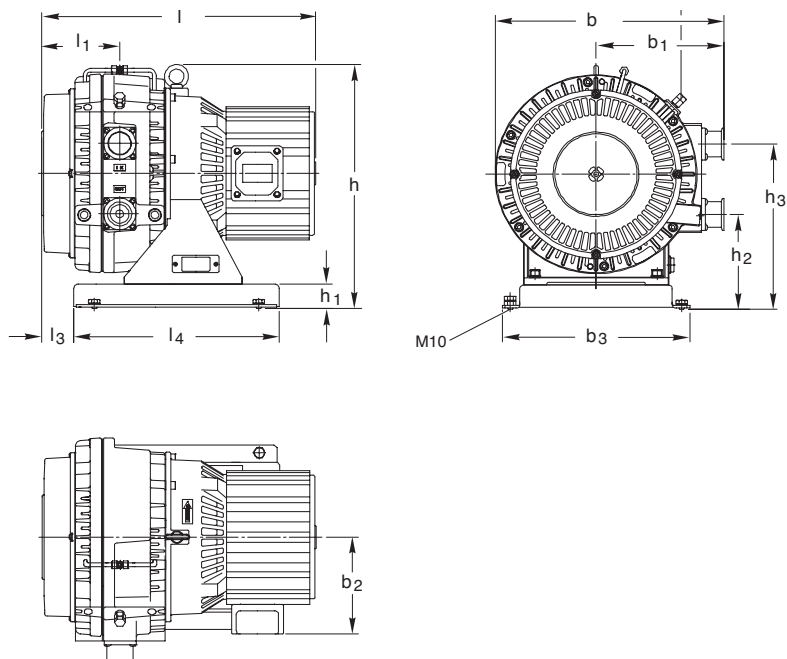
1 phase



Type		b	b <sub>1</sub>	b <sub>2</sub>	b <sub>3</sub>	b <sub>4</sub>	b <sub>5</sub>	b <sub>6</sub>	h	h <sub>1</sub>	h <sub>2</sub>	h <sub>3</sub>	h <sub>4</sub>	h <sub>5</sub>	l	l <sub>1</sub>	l <sub>2</sub>	l <sub>3</sub>	l <sub>4</sub>
SC 30 D	mm	328	183	131 <sup>1)</sup>	288	159	36	29	372	42	178	243	373	397	443 <sup>2)</sup>	99	46	42	310
	in.	12.91	7.20	5.16 <sup>1)</sup>	11.34	6.26	1.42	1.14	4.65	1.65	7.01	9.57	14.69	15.63	17.44 <sup>2)</sup>	3.90	1.81	1.65	12.20
SC 60 D	mm	390	218	168	320	-	-	-	421	42	163	285	-	-	467	133	-	55	350
	in.	13.35	8.58	6.61	12.60	-	-	-	16.58	1.65	6.42	11.22	-	-	18.39	5.24	-	2.17	13.78

<sup>1)</sup> 147 (5.79 in.) for 3~ version

<sup>2)</sup> 372 (14.65 in.) for 3~ version



Dimensional drawing for the scroll vacuum pump SCROLLVAC SC 30 D (above) and SC 60 D (below)

## Technical Data

## SCROLLVAC

### SC 30 D

### SC 60 D

		SC 30 D	SC 60 D
Nominal pumping speed <sup>1)</sup>			
50 Hz	m <sup>3</sup> /h (cfm)	30 (17.7)	60 (35.4)
60 Hz	m <sup>3</sup> /h (cfm)	36 (21.2)	72 (42.4)
Pumping speed <sup>1)</sup>			
50 Hz	m <sup>3</sup> /h (cfm)	26 (13.3)	52 (30.6)
60 Hz	m <sup>3</sup> /h (cfm)	31 (18.3)	62 (36.5)
Attainable ultimate pressure	mbar (Torr)	≤ 0.01 (≤ 0.008)	
Leak rate	mbar l/s	1 x 10 <sup>-6</sup>	1 x 10 <sup>-4</sup>
Maximum inlet pressure		Atmosphere	
Permissible ambient temperature	°C (°F)	+5 to +40 (+41 to +104)	
Connections			
Inlet	DN	40	40
Exhaust	DN	25	40
Cooling		Air	
Water vapor capacity with purge, max.	g/h l/min	1.04 10	
Protection class	IP	20	
Motor power	W (hp)	600 (0.82)	1400 (1.90)
Motor speed			
50 Hz	rpm	1450	1460
60 Hz	rpm	1730	1760
Motor voltage	1-ph. <sup>2)</sup>	100 V / 50 Hz 100 – 115 V / 60 Hz 200 – 230 V / 50/60 Hz	-
Motor voltage	3-ph.	200 V, 380 – 415 V / 50 Hz 200 – 380 V, 460 V / 60 Hz	200 V, 380 – 400 – 415 V / 50 Hz 200 – 220 – 230 V, 460 V / 60 Hz
Noise level at 1 m (3.5 ft), free field measurement	dB(A)	≤ 62	≤ 67
Dimensions (W x H x D)	mm (in.)	443 x 328 x 372 (17.44 x 12.91 x 14.65)	467 x 390 x 421 (18.39 x 15.35 x 16.57)
Weight			
Single-phase motor	kg (lbs)	44 (97.1)	-
Three-phase motor	kg (lbs)	38 (83.9)	60 (132.5)

<sup>1)</sup> In accordance with DIN 28 400

<sup>2)</sup> The Part No. for single-phase pumps will determine the voltage range at delivery



## Ordering Information

## SCROLLVAC

### SC 30 D

### SC 60 D

		<b>Part No.</b>	<b>Part No.</b>
Oil-free scroll vacuum pump			
Single-phase motor, with cable and plug			
Europe (Schuko plug, 230 V)		<b>133 002</b>	-
US / Japan (NEMA plug, 115 V)		<b>133 102</b>	-
Three-phase motor, without cable		<b>133 004</b>	<b>133 008</b>
Maintenance kits			
Small maintenance kit			
(after 8,000 h)	Minor Kit	<b>EK 870000498</b>	<b>EK 870000519</b>
Large maintenance kit			
(after 16,000 h)	Major Kit	<b>EK 870000501</b>	<b>EK 870000520</b>
Tool kit SC 30/60 D		<b>EK 870000503</b>	<b>EK 870000521</b>
Scroll profile gasket (Tip Seal)		<b>E 870000512</b>	<b>E 870000522</b>
Shaft installation kit (Pin Crank Kit)		<b>EK 870000509</b>	<b>EK 870000523</b>
Eccentric shaft		<b>EK 870000506</b>	<b>EK 870000534</b>

## Applications for ECODRY plus Pumps

<b>Pumps</b>	ECODRY 40 plus	ECODRY 65 plus
<b>Application</b>		
Mass spectrometry	■	■
Electron microscopy	■	■
Vacuum drying	■	■
Particle accelerators / Synchrotron	■	■
Spectroscopy	■	■
Regeneration of cryo pumps	■	■
Backing pumps for turbomolecular pumps	■	■
Surface analysis	■	■

# Products

## ECODRY plus multi-stage Roots vacuum pumps

### ECODRY 40 plus, ECODRY 65 plus



The ECODRY plus is a newly developed family of dry-compression multi-stage Roots vacuum pumps, which sets new standards in noise reduction. The pumps have been specially designed for use in quiet and clean environments, such as analysis and research laboratories.

#### Operating principle

The multi-stage Roots pump is a further development of the tried-and-tested Roots pump principle. Two contactless rotating rotors turn in contrary motion within a single pump housing. The rotors do not come into contact with one another, or with the pump housing. Through their rotation, they convey the gas from the intake flange on the upper side to the outlet aperture on the underside of the suction chamber. In the multi-stage Roots pump ECODRY plus, there are eight pump chambers in succession along the same axis. The outlet apertures are connected to the respective intake aperture of the ensuing chamber via channels in the pump housing. The pump's operating range extends from the medium vacuum range to ambient pressure.

Short channels between the compression stages, combined with a high rotational speed of 12,600 rpm, make a compact construction with simultaneously high suction capacity possible. Lubrication takes place only in the shaft bearing regions. These are separated from the suction chamber by means of a wear-free sealing system, such that no lubricant can find its way into the suction chamber or into the vacuum chamber.

#### Low-noise operation

During the design phase, particular emphasis was placed on reducing the pumps' noise levels. The rotors' high manufacturing quality guarantees that the pumps will run with a low level of vibration, and consequently with a low level of noise, even at high inlet pressures. Efficient noise insulation is integrated within the pump housing, to shield the user from residual noise. The silencer integrated within the exhaust region further serves to minimize noise, even at high gas flow rates. These measures combine to achieve a noise level of less than 52 dB(A) – quieter than a normal conversation

#### Clean environment

Thanks to the oil-free suction chamber, no lubricant can enter the vacuum chamber or the area surrounding the pump from the interior of the pump. Furthermore, because the rotors operate contact-free, no abrasion debris are created in the form of particles, which could contaminate the vacuum chamber. In the case of the pump itself, this guarantees long-term stable operation with no deterioration in final pressure or suction capacity.

#### Ease of commissioning

The ECODRY plus models have a compact housing and are simple to operate. With integrated castors and their low weight, they can be easily rolled out of their packaging and on to their installation location. There is no need for elaborate power cabling, as the pumps can be connected directly to a single-phase electricity supply. The pumps are air-cooled, and therefore require no connection to a water supply for the purposes of cooling.

#### Maintenance-free operation

ECODRY plus features a friction-free operating principle, so their components are not exposed to wear in any way. The ECODRY plus's shaft bearings are designed for up to five years' operation. Maintenance measures such as replacing seals or changing the oil are not required during that time.

### High water vapour tolerance

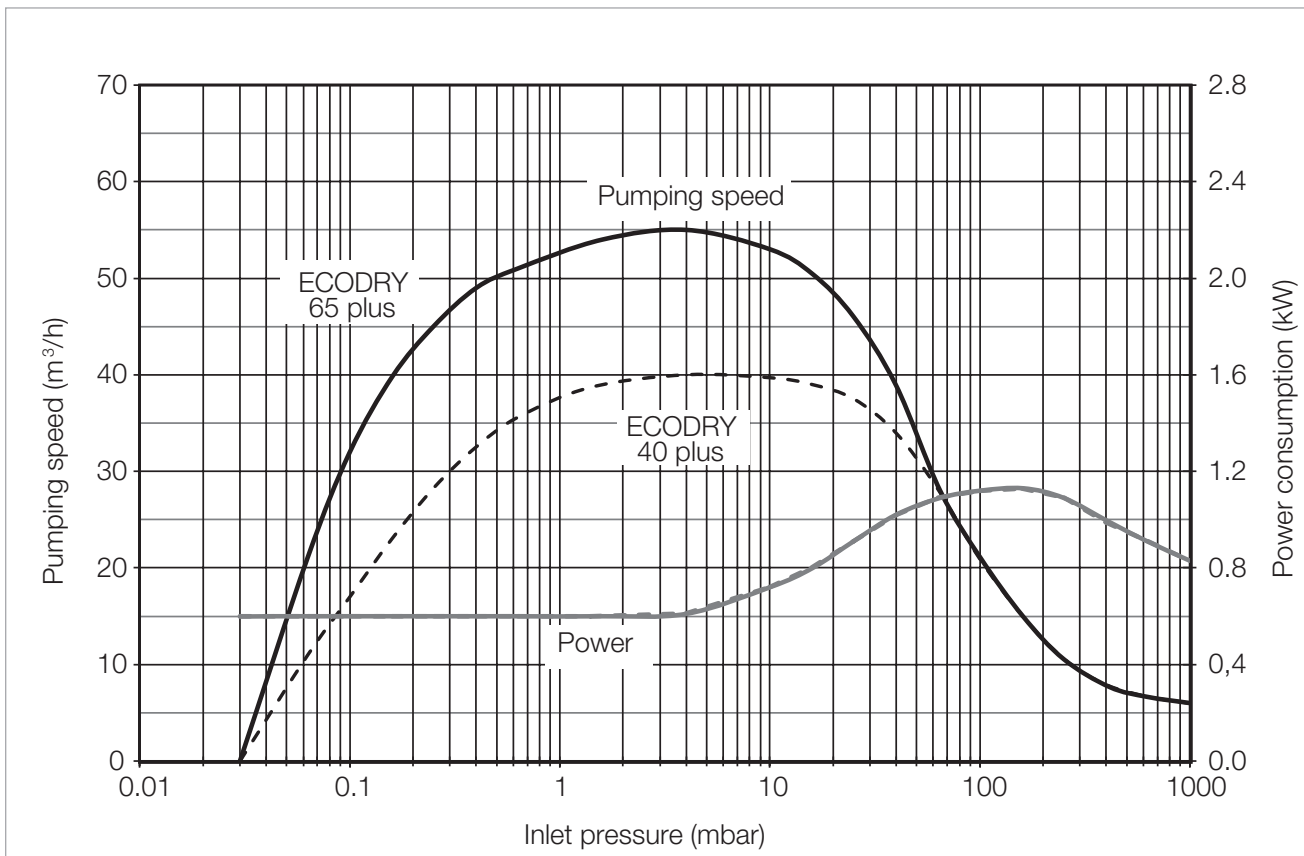
In drying applications, such as cryo-pump regeneration, or when pumping out vacuum chambers with large surface areas, high quantities of water vapour may accrue. Not every pump can handle this without difficulty, as condensation in the pump can lead to corrosion and pump failure. However, with its gas ballast valve open, the ECODRY plus can pump water vapour at rates of up to 500 g/h without internal condensation. Because the manually operated gas ballast inlet has an integrated silencer, the pump is quieter than any of its competitors in these applications also.

### Benefits at a glance

- Quietest pump in its class – it won't disturb your work
- Clean vacuum generation with no contamination of workstation or vacuum chamber
- Many years of maintenance-free operation without deterioration of vacuum parameters

### Typical applications

- Mass spectrometry
- Electron microscopy
- Backing pump for turbomolecular pumps
- Drying
- Accelerator/synchrotron
- Spectroscopy
- Regeneration of cryopumps
- Surface analysis



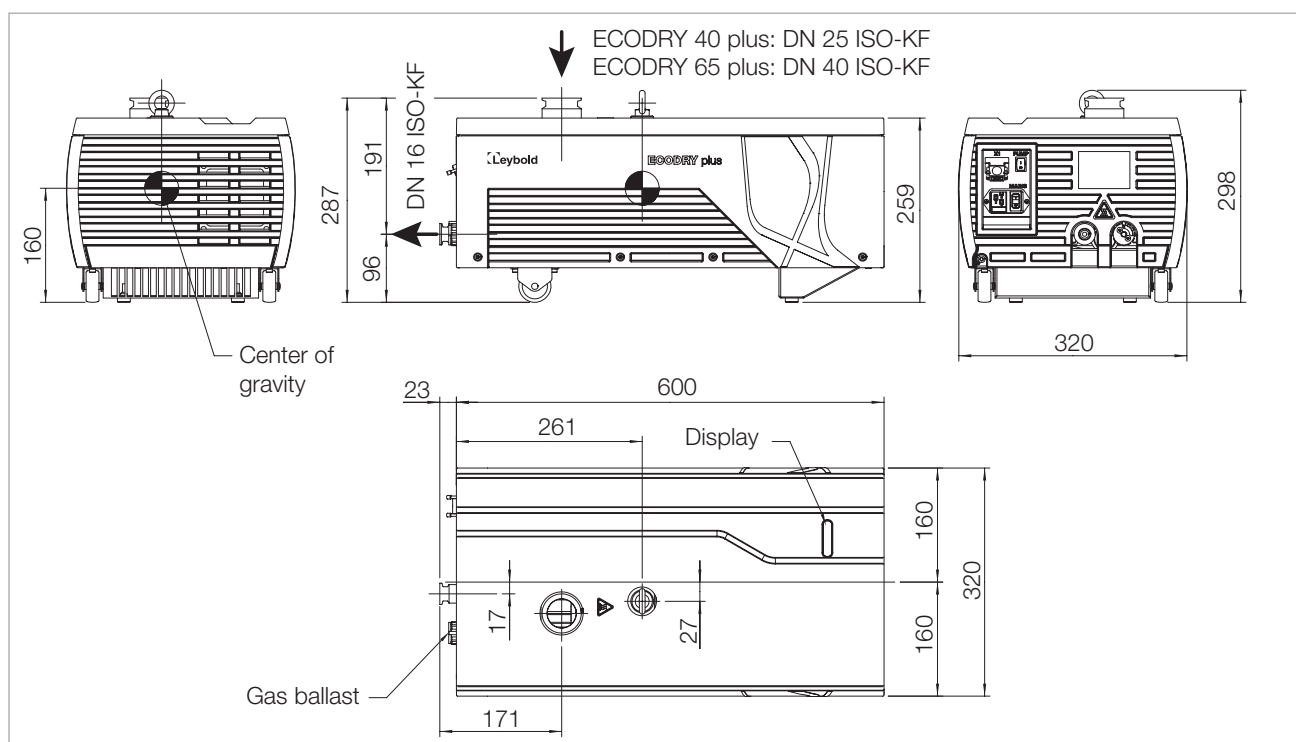
Pumping speed curves for the ECODRY plus - pumps

## Technical Data

### ECODRY 40 plus

### ECODRY 65 plus

Maximum pumping speed without gas ballast	m <sup>3</sup> /h	40	55
Ultimate pressure without gas ballast	mbar	< 0.03	< 0.03
Ultimate pressure with gas ballast	mbar	< 0.1	< 0.1
Leak rate	mbar l/s	< 10 <sup>-5</sup>	< 10 <sup>-5</sup>
Water vapour tolerance with gas ballast	mbar	20	20
Water vapour capacity with gas ballast	g/h	300	500
Maximum permissible inlet pressure	mbar	1050	1050
Permissible ambient temperature	°C	+5 to +40	+5 to +40
Max. installation height (up to NHN)	m	2000	2000
Cooling		Air	Air
Mains voltage	V	200 – 240 ± 10%	200 – 240 ± 10%
Frequency	Hz	50/60	50/60
Phases		1-ph	1-ph
Max. power consumption	W	1200	1200
Power consumption at ultimate pressure	W	600	600
Plug connector for power supply		C 20 acc. to IEC 60320	C 20 acc. to IEC 60320
Rotational speed	rpm	12600	12600
Protection class	IP	42	42
Intake flange		DN 25 ISO-KF	DN 40 ISO-KF
Outlet flange		DN 16 ISO-KF	DN 16 ISO-KF
Weight, approx.	kg	43	43
Dimensions (L x W x H)	mm	623 x 320 x 298	623 x 320 x 298



Dimensional drawing for the ECODRY plus – pumps, all dimensions in mm

## Ordering Information

### ECODRY 40 plus

### ECODRY 65 plus

	Part No.	Part No.
Dry Compressing Vacuum Pump ECODRY plus	<b>161 040 V01</b>	<b>161 065 V01</b>
<b>Accessories</b>		
<b>Mains cable (required for pump operation)</b>		
Mains cable Europe CEE 7/7 (Schuko) – IEC-60320 C19 Length 2.0 m	<b>161 810 EU</b>	
Mains cable Great Britain BS 1363 – IEC-60320 C19 Length 2.0 m	<b>161 810 UK</b>	
Mains cable US NEMA 6-15P – IEC-60320 C19 Length 2.5 m	<b>161 810 US</b>	
<b>Optional accessories</b>		
Inlet screen DN 25 ISO-KF	<b>E41170206</b>	-
Inlet screen DN 40 ISO-KF	-	<b>E41170121</b>
Casing assembly mounting kit and earthquake protection	<b>161 831 A</b>	
RS485/USB connecting cable for X104 interface, 1.8 m	<b>161 820 USB</b>	
LEYASSIST software	<b>230 439 V01</b>	
Replacement control interface jumper	<b>161 823 A</b>	

# General

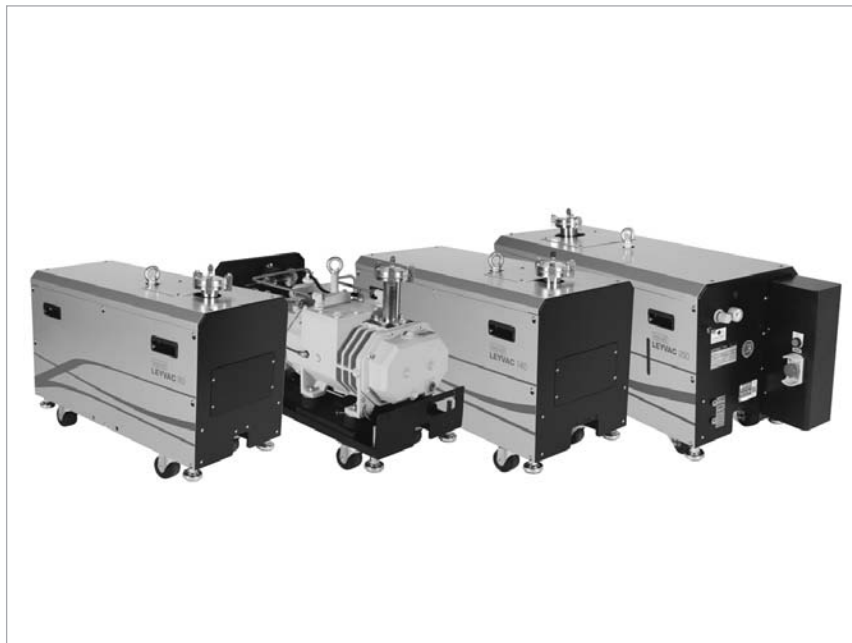
## Applications for LEYVAC Pumps

Dry compressing vacuum pumps	LEYVAC LV 80	LEYVAC LV 80 C	LEYVAC LV 80 CC	LEYVAC LV 140	LEYVAC LV 140 C	LEYVAC LV 140 CC	LEYVAC LV 250	LEYVAC LV 250 C	LEYVAC LV 250 CC
<b>Applications</b>									
<b>Process industry</b>									
Industrial furnaces	■	■	■	■	■	■	■	■	■
Degassing	■	■	■	■	■	■	■	■	■
Charging	■	■	■	■	■	■	■	■	■
Casting	■	■	■	■	■	■	■	■	■
Drying processes in general				■	■	■	■	■	■
Freeze drying	■	■	■	■	■	■	■	■	■
Packaging	■	■	■	■	■	■	■	■	■
<b>Coating</b>									
CVD coating	■	■	■	■	■	■	■	■	■
Plasma coating	■	■	■	■	■	■	■	■	■
Glass coating	■	■	■	■	■	■	■	■	■
Web coating	■	■	■	■	■	■	■	■	■
<b>Solar</b>									
CVD/PECVD	■	■	■	■	■	■	■	■	■
Crystal pulling and casting	■	■	■	■	■	■	■	■	■
<b>Support functions</b>									
Regeneration of cryo pumps	■	■	■	■	■	■	■	■	■
Forevacuum pumps for Turbomolecular pumps	■	■	■	■	■	■	■	■	■

# Products

## LEYVAC

### Excellent efficiency in every respect



LEYVAC LV 80, 140 and 250

**Our LEYVAC dry vacuum pumps provide power combined with high performance.**

This product line covers the pumping speed ranges from 80 to 300 m<sup>3</sup>/h and is especially suited to meet the special requirements of industrial processes and coating applications.

LEYVAC pumps and system combinations are rugged, reliable and durable, ready to cope with harsh process requirements.

The LEYVAC product line comprises the models LEYVAC LV 80, LV 140, LV 250 and their C or CC versions.

The new LEYVAC 250 significantly expands the performance spectrum of this product range with excellent energy efficiency characteristics.

The CC versions include an overtemperature safety shutdown facility.

#### Advantages to the User

- Dry pump technology
- No contact of the process gases with oil
- Shortest pumpdown times through high pumping speed for air already starting at atmospheric pressure
- Hermetically tight
  - No shaft seals
  - No oil leakage
  - Safe pumping of toxic gases
- High reliability
  - Long service intervals (up to 5 years)
  - High uptime
  - Robust and durable design
- One motor solution
  - Multi-voltage, dual frequency motor operable at 200 V - 460 V and 50/60 Hz
- Easy and modular
  - Direct coupling of roots booster pumps without frames for models RUVAC WH 700 and WA(U)/WS(U) 251-1001

#### Typical Application

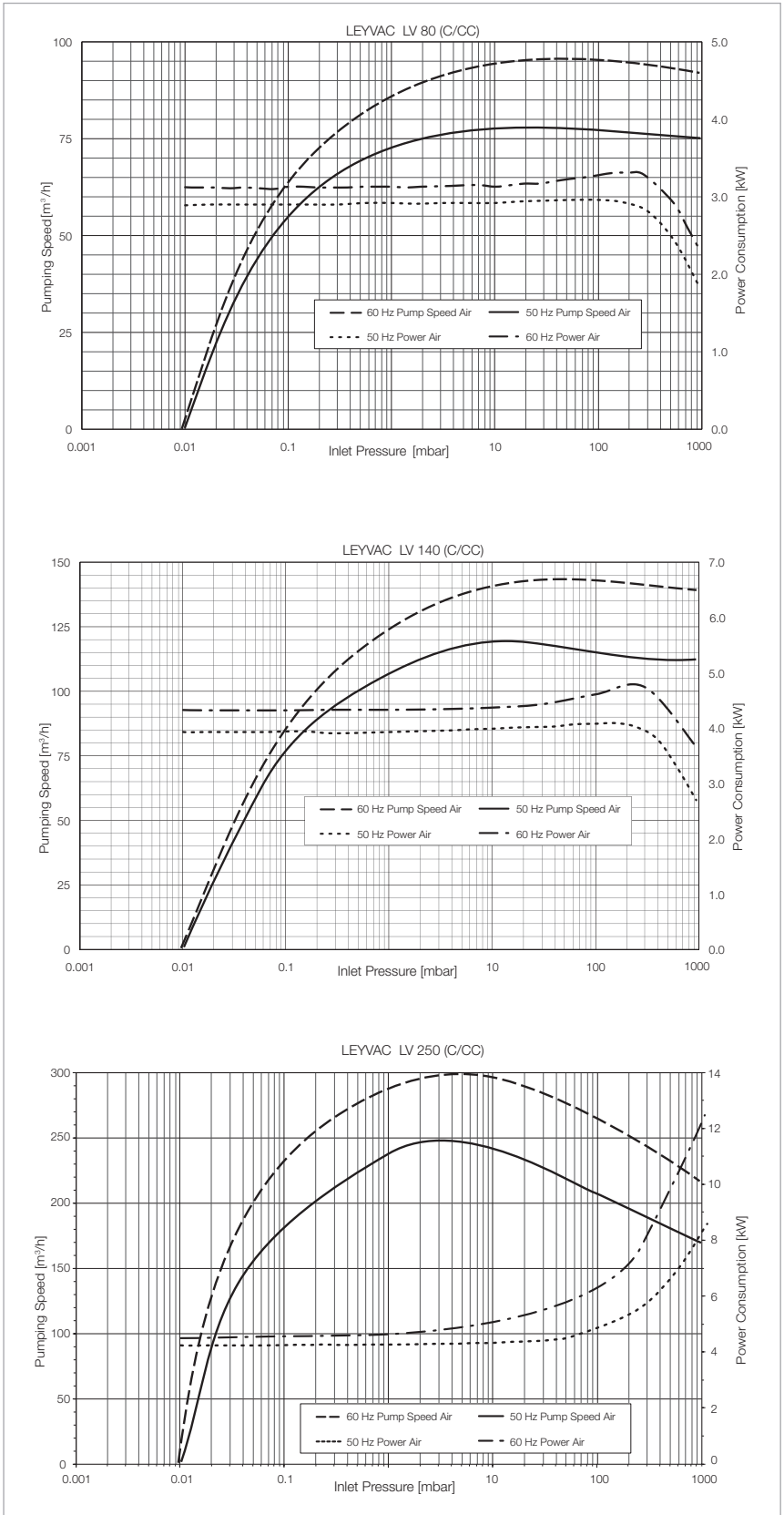
- Process industry
  - Industrial furnaces
  - Degassing
  - Charging
  - Casting
  - Drying processes
  - Freeze drying
  - Electron beam welding
  - Packaging
- Coating
  - PVD/CVD coating
  - Wear resistant coating
  - Optical coating
  - Web coating
  - Load locks/transfer chambers
- Solar
  - CVD/PECVD
  - Crystal pulling and casting
- Support functions
  - Regeneration of cryo pumps
  - Forevacuum pumps for turbomolecular pumps

#### Performance Details at a Glance

LEYVAC dry vacuum pumps provide **optimized**

- System uptime
  - Robust design based on the proven RUVAC and DRYVAC technology
  - Most effective cooling system
  - Thermal protection on board (for CC versions)
  - Tolerant to pressure shocks
  - Long intervals for bearing exchange
- Process safety
  - designed for harsh applications
- Performance data
  - High pumping speed already at high intake pressures
  - Good pumping speed also for lighter gases (with purge)
- Environmental properties
  - Low noise and low heat emission
- Price-to-performance ratio
  - Low investment costs
  - Small, price optimized pumping systems





Pumping speed curves of the LEYVAC LV 80 (C/CC), LEYVAC LV 140 (C/CC) and LEYVAC LV 250 (C/CC)

## Technical Data

## LEYVAC

### LV 80 (C/CC)

### LV 140 (C/CC)

### LV 250 (C/CC)

Nominal pumping speed without gas ballast at 50/60 Hz				
	m <sup>3</sup> /h (cfm)	80/96 (47.1/56.5)	125/145 (73.6/85.3)	250/300 (147.1/176.6)
Ultimate pressure with seal and rotor purge	mbar (Torr)	1 x 10 <sup>-2</sup> (0.75 x 10 <sup>-2</sup> )	1 x 10 <sup>-2</sup> (0.75 x 10 <sup>-2</sup> )	1 x 10 <sup>-2</sup> (0.75 x 10 <sup>-2</sup> )
Power consumption at ultimate pressure and 50/60 Hz operation	kW (hp)	2.9/3.2 (3.9/4.3)	3.9/4.3 (5.2/5.8)	4.2/4.7 (5.6/6.3)
Weight, approx.				
LV ...	kg (lbs)	280 (617)	300 (661)	330 (728)
LV ... C/CC	kg (lbs)	300 (661)	320 (705)	350 (772)
Noise level <sup>1)</sup>	dB(A)	< 65	< 65	< 72
Connection flange				
Intake	DN	63 ISO-K	63 ISO-K	63 ISO-K
Discharge	DN	40 ISO-KF	40 ISO-KF	40 ISO-KF
Mains voltage (± 10%)				
LV ...	V	200 – 460	200 – 460	200 – 460
LV ... C (with housing)	V	200 – 460	200 – 460	200 – 460
LV ... CC (with housing and Temperature monitoring)	V	380 – 460	380 – 460	380 – 460
Nominal power at 50/60 Hz	kW (hp)	4.1 (5.5)	5.5 (7.4)	8.0 (10.7)
Nominal current consumption 50/60 Hz at 400 V	A	6	8	16
Cooling		water/glycol	water/glycol	water/glycol
Cooling water temperature	°C (°F)	+15 to +30 (+59 to +86)	+15 to +30 (+59 to +86)	+15 to +30 (+59 to +86)
Min. cooling water throughput	l/min	3	3	3
Water vapor tolerance (with gas ballast)				
80 slm 50/60 Hz	mbar (Torr)	20/30	125/160	-/-
150 slm 50/60 Hz <sup>2)</sup>	mbar (Torr)	-/-	-/-	30/37
Water vapor capacity (with gas ballast)				
80 slm 50/60 Hz	kg/h	1.24/2.3	11.5/18.0	-/-
150 slm 50/60 Hz <sup>2)</sup>	kg/h	-/-	-/-	6.3/6.5
Permissible ambient temperature	°C (°F)	+5 to +45 (+41 to +113)	+5 to +45 (+41 to +113)	+5 to +45 (+41 to +113)
Protection class EN 60529	IP	54	54	54
Dimensions (W x H x D)				
LV ... and LV ... C	mm (in.)	814 x 375 x 550 (32.05 x 14.76 x 21.65)	895 x 400 x 567 (35.24 x 15.75 x 22.32)	1051 x 425 x 537 (41.38 x 16.73 x 21.14)
LV ... CC	mm (in.)	984 x 375 x 550 (38.74 x 14.76 x 21.65)	1065 x 400 x 567 (41.93 x 15.75 x 22.32)	1224 x 425 x 537 (48.19 x 16.73 x 21.14)

<sup>1)</sup> At ultimate pressure and with rigid exhaust line DIN EN ISO 2151

<sup>2)</sup> 2nd case: with 24 V gas ballast kit 115005A13 fitted to port 2, standard purge also opened

Type	b	b <sub>1</sub>	b <sub>2</sub>	h	h <sub>1</sub>	h <sub>2</sub>	h <sub>3</sub>	h <sub>4</sub>	h <sub>5</sub>	l (CC version)	l <sub>1</sub>	l <sub>2</sub>	l <sub>3</sub>	l <sub>4</sub>	l <sub>5</sub>
LV 80 (C)	mm 375	320	266	550	576	266	266	341	191	814 (984)	335	265	402	485	410
	in. 14.76	12.60	10.47	21.65	22.68	10.47	10.47	13.43	7.52	32.05 (38.74)	13.19	10.43	15.83	19.09	16.14
LV 140 (C)	mm 400	350	285	567	597	257	257	332	182	895 (1065)	364	297	453	514	439
	in. 15.75	13.78	11.22	22.32	23.50	10.12	10.12	13.07	7.17	35.24 (41.93)	14.33	11.69	17.84	20.24	17.28
LV 250 (C)	mm 425	375	285	537	570	230	230	305	155	1051 (1224)	512	420	464	662	587
	in. 16.73	14.76	11.22	21.14	22.44	9.06	9.06	12.01	6.01	41.38 (48.19)	20.16	16.54	18.27	26.06	21.93

Dimensional drawing for the LEYVAC LV 80/C and LV 140/C; below for exhaust connection

## Ordering Information

	<b>LEYVAC</b>		
	<b>LV 80 (C/CC)</b>	<b>LV 140 (C/CC)</b>	<b>LV 250 (C/CC)</b>
	<b>Part No.</b>	<b>Part No.</b>	<b>Part No.</b>
Dry compressing vacuum pump LEYVAC including LEYBONOL LVO 410 lubricant, base plate, castors, temperature switch, shaft seal and rotor purge	<b>115080V15</b>	<b>115140V15</b>	<b>115250V15</b>
including LEYBONOL LVO 410 lubricant additionally with casing (C version)	<b>115080V40</b>	<b>115140V40</b>	<b>115250V40</b>
additionally with casing and temperature monitoring (CC version)	<b>115080V30</b>	<b>115140V30</b>	<b>115250V30</b>
	<b>115080V35</b>	<b>115140V35</b>	<b>115250V35</b>
<b>Accessories</b>			
Non-return ball valve	<b>115005A01</b>	<b>115005A01</b>	<b>115005A01</b>
Non-return valve, spring-loaded	<b>115005A02</b>	<b>115005A02</b>	-
Roots pump adapter for RUVAC WS/WSU 251/501 and WH 700	<b>115005A03</b>	<b>115005A03</b>	<b>115005A05</b>
Adapter ring for RUVAC WA(U)/WS(U)1001	-	<b>115005A04 and 115005A03</b>	<b>115005A06 and 115005A05</b>
Exhaust pressure sensor			
LV 80	<b>115005A10</b>	-	-
LV 140	-	<b>115005A11</b>	-
LV 250	-	-	<b>115005A09</b>
Gas ballast kit			
manually operated	<b>115005A12</b>	<b>115005A12</b>	<b>115005A12</b>
24 V	<b>115005A13</b>	<b>115005A13</b>	<b>115005A13</b>
Silencer			
standard			
(with integrated non-return valve)	<b>115005A20</b>	<b>115005A20</b>	-
serviceable	<b>115005A22</b>	<b>115005A22</b>	<b>115005A22</b>
emptyable	<b>115005A23</b>	<b>115005A23</b>	-
High-performance silencer	<b>115005A21</b>	<b>115005A21</b>	<b>115005A21</b>
Elbow for silencer, emptyable	<b>115005A26</b>	<b>115005A26</b>	<b>115005A26</b>
Inlet screen	<b>115005A28</b>	<b>115005A28</b>	<b>115005A28</b>
External frequency converter (including mains filter) for			
LEYVAC LV 80 (400 V)	<b>115005A30</b>	-	-
LEYVAC LV 80 (200 V)	<b>115005V31</b>	-	-
LEYVAC LV 140 (400 V)	-	<b>115005A35</b>	-
LEYVAC LV 140 (200 V)	-	<b>115005V36</b>	-
LEYVAC LV 250 (400 V)	-	-	<b>115005A40</b>
Profibus module <sup>1)</sup>	<b>155212V</b>	<b>155212V</b>	<b>155212V</b>
Relais module (digital output) <sup>1)</sup>	<b>112005A01</b>	<b>112005A01</b>	<b>112005A01</b>
Ethernet interface module <sup>1)</sup>	<b>112005A02</b>	<b>112005A02</b>	<b>112005A02</b>
ProfiNet module <sup>1)</sup>	<b>112005A35</b>	<b>112005A35</b>	<b>112005A35</b>
EtherCAT module <sup>1)</sup>	<b>112005A36</b>	<b>112005A36</b>	<b>112005A36</b>

<sup>1)</sup> For optional, external frequency converter



# General

## Applications for SCREWLINE Pumps

Dry Compressing Scroll Vacuum Pumps	SCREWLINE SP 250 (ATEX)	SCREWLINE 630 (F) ATEX
<b>Application</b>		
Food processing	■	■
Vacuum coating	■	■
Lamination	■	■
Loadlock chambers	■	■
Mechanical engineering	■	■
Automotive industry	■	■
Metallurgy/Furnaces	■	■
Crystal pulling	■	■
Degassing	■	■
Electrical engineering	■	■
Energy technology	■	■
Welding technology	■	■
Lamps/Tubes manufacture	■	■
Cooling and air conditioning	■	■
Chemistry/Pharmaceuticals	■	■
Chemical research laboratories	■	■
Vacuum drying	■	■
Freeze drying systems	■	■
Environmental engineering	■	■
Packaging	■	■
Medical technology	■	■
Analytical engineering	■	■
Research and development	■	■
Space simulation	■	■
Backing pump for HV-Systems	■	■

# Products

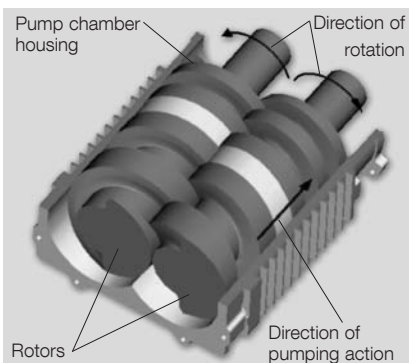


Screw Vacuum Pump SCREWLINE SP 630

The Screw Vacuum Pumps SCREWLINE were developed in view of the special requirements of industrial applications. The innovative design allows these pumps to be used whenever reliable, compact and low maintenance vacuum solutions are required.

## Principle of Operation

Screw Vacuum Pumps are dry compressing backing pumps, the operation of which is based on the screw principle. The pumping chamber of the pump is formed by two synchronised positive displacement rotors and the housing enclosing these. Since the rotors rotate in opposite directions, the chambers move steadily from the intake to the exhaust side of the pumps thereby resulting in a smooth pumping action (see figure below). Since with a single Screw Vacuum Pump rotor pair a multistage compression process is implemented, the component count in the pumping path is very low. In this way maintenance and servicing work is much simplified.



Principle of operation of the SCREWLINE Line

## Properties

The direct pumping path without multiple deflections for the medium make the Screw Vacuum Pumps highly insensitive to foreign materials. This ensures a high uptime in industrial processes.

The two non-contacting shaft-seals are practically wear-free, which allows for very long maintenance intervals. Shaft seal purge is usually required in industrial applications. SCREWLINE pumps are equipped with a purge gas supply unit.

Because of the cantilevered bearing arrangement for the Screw Vacuum Pump rotors, a potential source of failure (i.e. a bearing on the intake side) is entirely eliminated. On the one hand, no lubricants from the bearings can enter into the vacuum process, and the other hand also an impairment of the bearing by aggressive process media can be excluded.

A further benefit of the cantilevered bearing arrangement is the easy

accessibility of the pump chamber. This innovative design feature allows the removal of the pump housing without time-consuming and costly disassembly of the bearings. Thus on-site cleaning of all surfaces in contact with the medium is possible. In particular, if the processes involved considerable amounts of contaminants this is a significant advantage which ensures a long uptime.

The low exhaust temperature is an important advantage of the Screw Vacuum Pumps. Owing to the design of the screw rotors, a temperature of maximum 100 °C (212 °F) is attained inside the pump. Thus deposits of many substances are avoided which react at high temperatures. This makes the pump unique and many customers, above all from the field of coating, value this highly.

Should deposits form in spite of this, then the easy to disassemble housing facilitates rapid cleaning.

Besides the integrated oil cooling arrangement for the rotors, the Screw Vacuum Pumps are air-cooled from the outside. Here rotor and housings are thermally linked via the oil cooler. Thus, Screw Vacuum Pumps adapt themselves ideally to the ambient conditions under changing operating situations.



Oil/water cooling unit SP 630 F

A water-cooled version is offered as Screw Vacuum Pumps SP 630 F. This product version is intended for operation in air-conditioned rooms.

The Screw Pumps portfolio is completed through ATEX-certified variants.

Moreover, the Screw Vacuum Pumps portfolio also includes pump versions suited for pumping pure oxygen (O<sub>2</sub>).

## Maintenance and Monitoring

During the development of the Screw Vacuum Pumps, special emphasis was placed on a particularly simple maintenance concept. This has been implemented through the cantilevered bearing arrangement, with all maintenance components and controls having been located on the so-called service side for easy accessibility. Thus, the space requirement which needs to be taken into account during planning has been optimized. The lower space requirement gives the user more flexibility during installation of the pump.

The monitoring system SP-GUARD was developed especially for constant real-time monitoring of the operational status of the Screw Vacuum Pumps. The operating parameters are con-

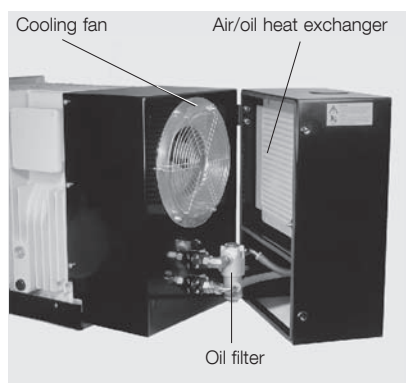
stantly acquired and processed. This enables the user to introduce preventive actions early enough so as to ensure trouble-free operation of his Screw Vacuum Pumps. The key current operating parameters can be read off from a local display. Moreover, connection to a PLC and remote monitoring is possible. Maintenance of the Screw Vacuum Pumps will generally be limited to a regular visual inspection of the pump and the annual change of gear oil and oil filter. The oil fill ports as well as the filters are readily accessible and can be easily exchanged.

With the aid of a flushing kit (optional) it is possible to clean the pump chamber, while the pump is operating without process. Deposits due to the process can thus be removed effectively and quickly without the need of having to disassemble the housing.

Also, cleaning of the air/oil heat exchanger can be done simply on-site by blowing out the heat exchanger with compressed air.

## Accessories

Screw Vacuum Pumps offer to the user a high degree of flexibility. Inlet and exhaust connections are made through universal flanges, respectively clamped flanges, permit simple integration within the system. Through the accessories which are available, the pump can be optimally adapted to the individual requirements of differing applications.



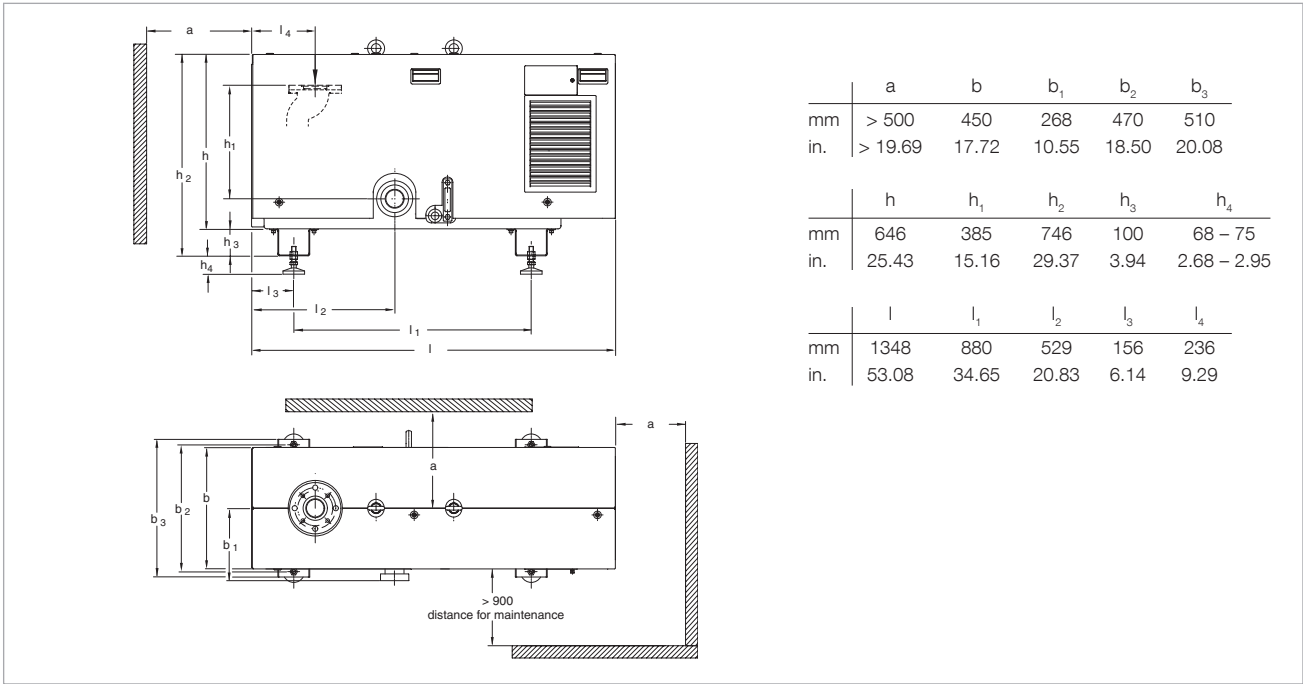
Oil/water cooling unit SP 630

## Advantages to the User

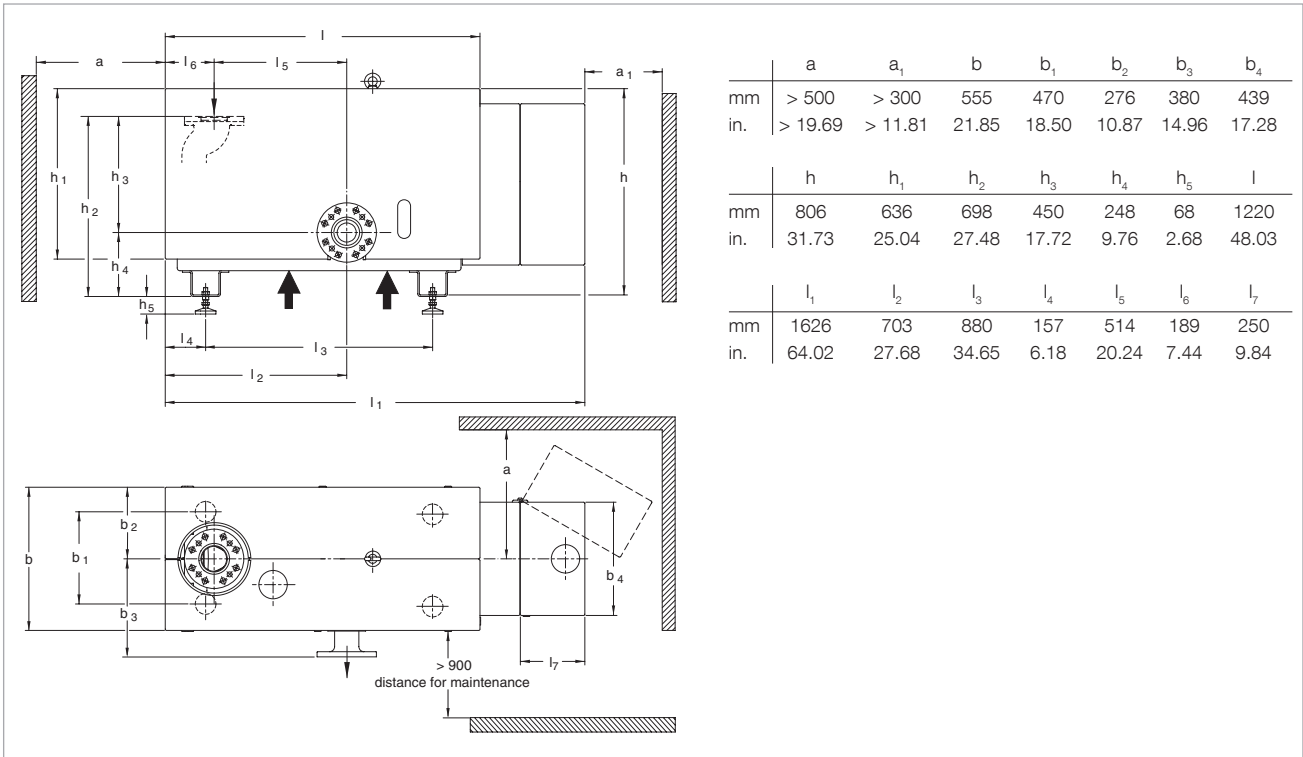
- Utmost reliability
- Protection of the pump through monitoring vital parameters by means of the SP-GUARD
- Minimum downtimes owing to rapid cleaning of the pump chamber (in less than one hour)
- Avoidance of deposits through low internal temperatures
- Minimum operating costs
- The only directly air cooled screw vacuum pump on the market. No need for cooling water
- No seal gas needed for standard applications
- No oil in the pump chamber. Thus no need for disposing of contaminated oil
- Gear oil change only every two years
- Utmost flexibility
- Direct adaptation of RUVAC pumps for increased pumping speed up to approximately 7000 m<sup>3</sup>/h
- Multi-flange for all commonly used pipe connections
- Flushing kit for constant cleaning of the pump chamber
- Silencing hoods for a further reduction of noise emissions

## Typical Applications

- Industrial furnaces
- Coating technology
- Load lock chambers
- Metallurgical systems
- Food processing
- Drying processes
- Degassing
- Research and development
- Lamps and tubes manufacture
- Automotive industry
- Packaging industry
- Space simulation
- Electrical engineering
- Energy research

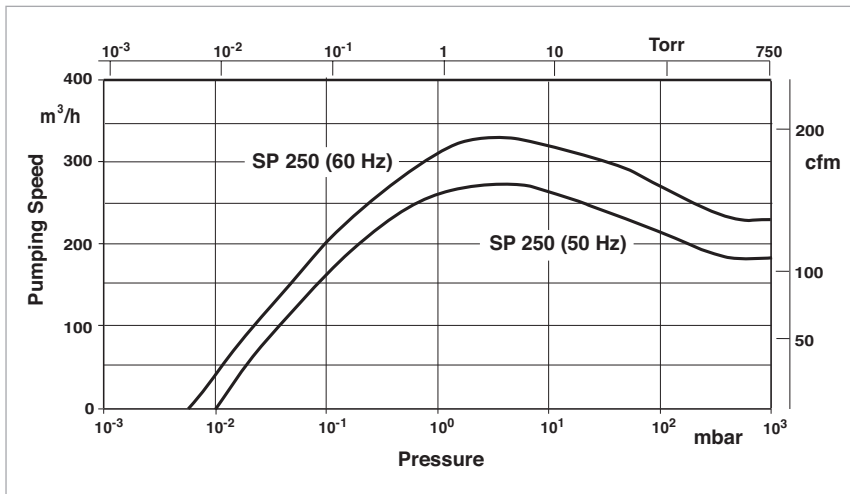


Dimensional drawing for the SCREWLINE SP 250

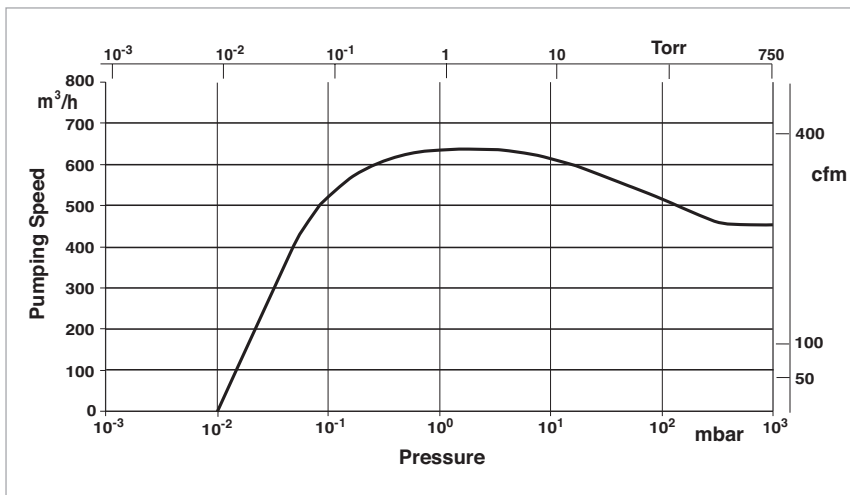


Dimensional drawing for the SCREWLINE SP 630





Effective pumping speed of the SCREWLINE SP 250 for air, without gas ballast (50/60 Hz)



Effective pumping speed of the SCREWLINE SP 630 for air, without gas ballast

## Technical Data

## SCREWLINE SP 250

### 50 Hz

### 60 Hz

		50 Hz	60 Hz
Effective pumping speed	m <sup>3</sup> /h (cfm)	270 (157)	330 (194)
Ultimate pressure, total	mbar (Torr)	≤ 0.01 (≤ 0.0075)	≤ 0.005 (≤ 0.0038)
Permissible intake pressure, max.	mbar (Torr)	1030 (773)	1030 (773)
Maximum exhaust pressure with reference to the ambient pressure		$p_{ex} = p_{amb} + 200 \text{ mbar (150 Torr)}$ $- 50 \text{ mbar (37 Torr)}$	$p_{ex} = p_{amb} + 200 \text{ mbar (150 Torr)}$ $- 50 \text{ mbar (37 Torr)}$
Permissible ambient temperature	°C (°F)	+10 to +40 (+50 to +104)	+10 to +40 (+50 to +104)
Water vapour tolerance (with gas ballast)	mbar (Torr)	60 (45)	75 (56)
Water vapour capacity (with gas ballast)	kg/h (gal/h)	10 (2.7)	18 (4.9)
Installation location		up to 3000 metres (9.800 feet) (above sea level)	up to 3000 metres (9.800 feet) (above sea level)
Cooling		Air	Air
Power supply at operating voltage	$\Delta\Delta$ $\Delta$	32.0 A / 200 V (cos phi 0.88) 16.0 A / 400 V (cos phi 0.88)	31.5 A / 210 V (cos phi 0.88) 15.5 A / 460 V (cos phi 0.88)
Nominal power	kW (HP)	7.5 (10.0)	7.5 (10.0)
Power consumption at ultimate pressure	kW (HP) kW (HP)	5.9 (8.0) at 3-ph. 200 V / 400 V 6.5 (8.8) at 3-ph. 500 V	7.2 (9.8) at 3-ph. 200 V / 400 V -
Energy efficiency class		IE 2	IE 2
Motor rotational speed	rpm	2920	3505
Type of protection	IP	55	55
Thermal protection class		F	F
Lubricant filling (LVO 210)	l	7	7
Intake flange, standard			
Clamping flange		ISO 1609-1986 (E)-63 (DN 63 ISO-K) <sup>1)</sup>	ISO 1609-1986 (E)-63 (DN 63 ISO-K) <sup>1)</sup>
Bolt flange		ASME B 16.5 NPS 3 class 150	ASME B 16.5 NPS 3 class 150
Bolt flange		EN 1092-2-PN 6 – DN 65	EN 1092-2-PN 6 – DN 65
Exhaust flange, standard			
Clamping flange		ISO 1609-1986 (E)-63 (DN 63 ISO-K)	ISO 1609-1986 (E)-63 (DN 63 ISO-K)
Exhaust flange, optional			
Clamping flange		ISO 1609-1986 (E)-63 (DN 63 ISO-K) <sup>1)</sup>	ISO 1609-1986 (E)-63 (DN 63 ISO-K) <sup>1)</sup>
Bolt flange		ASME B 16.5 NPS 3 class 150	ASME B 16.5 NPS 3 class 150
Bolt flange		EN 1092-2-PN 16 – DN 65	EN 1092-2-PN 16 – DN 65
Bolt flange		EN 1092-2-PN 6 – DN 65	EN 1092-2-PN 6 – DN 65
Materials (components in contact with the gas)		Aluminum, aluminum anodic oxidised, C steel, CrNi steel, grey cast-iron, FPM (FKM) (Viton)	Aluminum, aluminum anodic oxidised, C steel, CrNi steel, grey cast-iron, FPM (FKM) (Viton)
Weight, approx.	kg (lbs)	450 (992)	450 (992)
Dimensions (W x D x H)	mm (in.)	1350 x 530 x 880 (53.1 x 20.9 x 34.6)	1350 x 530 x 880 (53.1 x 20.9 x 34.6)
Noise level <sup>2)</sup>	dB(A)	67	72

<sup>1)</sup> This flange is required when ISO-K flanges are to be connected (Part No. 267 47)

<sup>2)</sup> With connected exhaust gas line at ultimate pressure

## Ordering Information

## SCREWLINE SP 250

	Standard	ATEX	O <sub>2</sub>
	Part No.	Part No.	Part No.
Screw Vacuum Pump SP 250 (50/60 Hz) with manual gas ballast and purge gas unit	<b>115 001</b> <sup>1)</sup>	-	-
with purge gas unit, castors and manual gas ballast valve	<b>115 006</b> <sup>1)</sup>	-	-
with electromagnetic gas ballast and purge gas unit Category 3GD IIC 160 °C (320 °F) inside	-	<b>115 003</b> <sup>1, 2)</sup>	-
with electromagnetic gas ballast Purge vent vit, FFPM gaskets and purge gas unit Category 2G3D b IIC 135 °C (275 °F) inside/ Category 3GD Ex nA IIC 160 °C (320 °F) outside	-	<b>115 012V11</b> <sup>1)</sup>	-
with electromagnetic gas ballast and purge gas unit SP-GUARD	-	-	<b>115 019</b> <sup>1), 3)</sup>
<b>Accessories</b>			
Exhaust silencer	<b>119 002</b>	<b>119 002</b>	<b>119 002</b>
Serviceable silencer	<b>119 003V</b>	<b>119 003V</b>	<b>119 003V</b>
Exhaust non-return valve (DN 65 PN 6)	<b>119 011</b>	-	-
Solenoid gas ballast kit, 24 V <sup>4)</sup>	<b>119 054V</b>	-	-
Adaptor for RUVAC 501/1001	<b>119 022</b>	<b>119 022</b>	<b>119 022</b>
Purge gas retrofit kit	<b>119 031</b>	-	-
Inlet filter adapter DN 63 ISO-K	<b>119 019</b>	<b>119 019</b>	-
Dust filter	<b>951 68</b>	-	-
Purge vent kit	<b>119 061V</b>	<b>119 061V</b>	<b>119 061V</b>
Oil change kit	<b>EK 110 000 820</b>	<b>EK 110 000 820</b>	<b>EK 110 000 820</b>
Screw inspection kit	<b>EK 110 000 821</b>	<b>EK 110 000 821</b> <sup>5)</sup>	<b>EK 110 000 821</b>
Purge gas connection servicing kit	<b>EK 110 000 834</b>	<b>EK 110 000 834</b>	<b>EK 110 000 834</b>
Filter for gas ballast	<b>E 110 000 980</b>	<b>E 110 000 980</b>	<b>E 110 000 980</b>
Filter for purge gas valve unit	<b>E 110 000 850</b>	<b>E 110 000 850</b>	<b>E 110 000 850</b>
Absorbing felt	<b>E 110 002 435</b>	<b>E 110 002 435</b>	<b>E 110 002 435</b>
Silencer service kit	<b>EK 500 003 476</b>	<b>EK 500 003 476</b>	<b>EK 500 003 476</b>
Seal kit non-return valve SP 250	<b>EK 110 000 828</b>	<b>EK 110 000 828</b>	<b>EK 110 000 828</b>
Seal kit RUVAC adaptor SP 250	<b>EK 110 000 835</b>	<b>EK 110 000 835</b>	<b>EK 110 000 835</b>
Vibration element RUVAC adaptor SP 250	<b>ES 110 000 2677</b>	<b>ES 110 000 2677</b>	<b>ES 110 000 2677</b>

<sup>1)</sup> All pumps are equipped as standard with an SP-GUARD

<sup>2)</sup> Only ATEX Category 3i (Directive 94/9/EG)

<sup>3)</sup> T4 with max.  $p_{ex} = p_{amb} + 200 \text{ mbar}$   
 $p_{ex} = p_{amb} - 50 \text{ mbar}$

<sup>4)</sup> This accessory item can only be used beginning with SN (serial number) 31000530865

<sup>5)</sup> Only for Part No.

For all enquiries and orders relating to category 1 and 2 ATEX products please exclusively use our ATEX questionnaire. You can find this questionnaire at the end of the full-line catalog together with the fax forms or on the Internet under "www.leybold.com" under Download Documents in the area Documentation.

## SCREWLINE SP 630

### Technical Data

**50 Hz**

**60 Hz**

Effective pumping speed	m <sup>3</sup> /h (cfm)	630 (371)	630 (371)
Ultimate total pressure	mbar (Torr)	≤ 0.01 (≤ 0.0075)	≤ 0.01 (≤ 0.0075)
Intake pressure limits, max.	mbar (Torr)	1030 (773)	1030 (773)
Maximum exhaust pressure with reference to the ambient pressure		$p_{ex} = p_{amb} + 200 \text{ mbar (150 Torr)}$ $- 50 \text{ mbar ( 37 Torr)}$	$p_{ex} = p_{amb} + 200 \text{ mbar (150 Torr)}$ $- 50 \text{ mbar ( 37 Torr)}$
Permissible ambient temperature	°C (°F)	+10 to +40 (+50 to +104)	+10 to +40 (+50 to +104)
Water vapour tolerance (with gas ballast)	mbar (Torr)	40 (30)	40 (30)
Water vapour capacity (with gas ballast)	kg/h (gal/h)	14 (3.7)	14 (3.7)
Installation location		up to 3000 metres (9.800 feet) (above sea level)	up to 3000 metres (9.800 feet) (above sea level)
Cooling		Air	Air
Power supply	$\Delta\Delta$ $\Delta$ Y <sup>1)</sup>	56 A / 200 V 28 A / 400 V 16 A / 690 V	52 A / 210 V 24 A / 460 V -
cos φ		0.89	0.90
Nominal power	kW (HP)	15 (20)	15 (20)
Power consumption at ultimate pressure	kW (HP)	< 11 (< 15)	< 11 (< 15)
Energy efficiency class		IE 2	IE 2
Motor rotational speed	rpm	2930	3530
Type of protection	IP	55	55
Thermal protection class		F	F
Lubricant filling (LVO 210)	l	13	13
Intake flange and exhaust flange compatible with bolt flanges		EN 1092-2 - PN 6 – DN 100 EN 1092-2 - PN 16 – DN 100 ISO 1609-1986 (E)-100 (DN 100 ISO-K) <sup>2)</sup> ASME B 16.5 NPS4 class 150	EN 1092-2 - PN 6 – DN 100 EN 1092-2 - PN 16 – DN 100 ISO 1609-1986 (E)-100 (DN 100 ISO-K) <sup>2)</sup> ASME B 16.5 NPS4 class 150
Materials (components in contact with the gas)		Aluminum, aluminum anodic oxidised, C steel, CrNi steel, grey cast-iron, FPM (FKM) ((Viton))	Aluminum, aluminum anodic oxidised, C steel, CrNi steel, grey cast-iron, FPM (FKM) ((Viton))
Weight, approx.	kg (lbs)	530 (1166)	530 (1166)
Dimensions (W x D x H)	mm (in.)	1630 x 660 x 880 (64 x 26 x 35)	1630 x 660 x 880 (64 x 26 x 35)
Noise level <sup>3)</sup>	dB(A)	73	75

<sup>1)</sup> 690 V upon request

<sup>2)</sup> This flange is required when ISO-K flanges are to be connected (Part No. 267 50)

<sup>3)</sup> With connected exhaust gas line at ultimate pressure

## SCREWLINE SP 630 F

### Additional Technical Data

**50 Hz**

**60 Hz**

Cooling		Water	Water
Water connection	G	1/2" ISO 228-1	1/2" ISO 228-1
Water temperature	°C (°F)	+5 to +35 (+41 to +95)	+5 to +35 (+41 to +95)
Minimum water feed pressure	bar (psi, gauge)	2 (15)	2 (15)
Nominal flow at a water feed temperature of 25° C (77 °F)	l/min (gal/min)	12 (3)	12 (3)
Noise level <sup>1)</sup>	dB(A)	71	71

<sup>1)</sup> With connected exhaust gas line at ultimate pressure

**Ordering Information****SCREWLINE SP 630 Standard / SP 630 F Standard**

	<b>50 Hz</b>	<b>60 Hz</b>
	<b>Part No.</b>	<b>Part No.</b>
Screw Vacuum Pump SP 630 air cooled, with manual gas ballast	<b>117 007</b>	<b>117 008</b>
Screw Vacuum Pump SP 630 F water cooled, with adapter for RUVAC 2001 and electromagnetic gas ballast	<b>117 105</b>	<b>117 106</b>
with manual gas ballast	<b>117 107</b>	<b>117 108</b>
with purge gas kit and manual gas ballast	<b>117 113</b>	<b>117 114</b>
Screw Vacuum Pump SP 630 water cooled, with castors, purge gas kit and electromagnetic gas ballast	<b>117 117</b>	<b>117 118</b>

All pumps are equipped as standard with an SP-GUARD

**Ordering Information****SCREWLINE SP 630 ATEX / SP 630 F ATEX**

	<b>50 Hz</b>	<b>60 Hz</b>
	<b>Part No.</b>	<b>Part No.</b>
Screw Vacuum Pump SP 630 with purge gas kit manual gas ballast and air cooled, Category 3G IIC (160 °C (320 °F)) inside	<b>117 017</b>	<b>117 018</b>
with purge gas kit 24 V gas ballast and water cooled, Category 3G IIC (160 °C (320 °F)) inside	<b>117 115</b>	<b>117 116</b>
Screw Vacuum Pump SP 630 F water cooled Category 2G3D IIC (160 °C (320 °F)) Category 3G IIC T3 (160 °C (320 °F)) with purge gas monitor, adapter for RUVAC 2001 and electromagnetic gas ballast	<b>117 111V11</b>	<b>117 112V11</b>

All pumps are equipped as standard with an SP-GUARD

For all enquiries and orders relating to category 1 and 2 ATEX products please exclusively use our ATEX questionnaire. You can find this questionnaire at the end of the full-line catalog together with the fax forms or on the Internet under "www.leybold.com" under Download Documents in the area Documentation.

**Ordering Information****SP 630 O<sub>2</sub>**

	<b>50 Hz</b>	<b>60 Hz</b>
	<b>Part No.</b>	<b>Part No.</b>
Screw Vacuum Pump SP 630 with purge gas monitor and electromagnetic gas ballast	<b>117 039</b>	<b>117 040</b>

All pumps are equipped as standard with an SP-GUARD

## Ordering Information

## SCREWLINE SP 630 Standard / SP 630 F Standard

### Accessories

50 Hz / 60 Hz

	Part No.
Exhaust silencer	119 001
Serviceable silencer	119 004V
Roots pump adapter for RUVAC 1001 <sup>1)</sup>	500 003 173
for RUVAC 2001	119 021
for RUVAC WH(U) 2500 <sup>1)</sup>	155222V
for RUVAC WH 4400 <sup>1)</sup>	119 024V
Dust filter <sup>2)</sup>	951 72
Elbow 90° (DN 100 ISO-K)	887 26
Clamping screws for DN 63-250 ISO-K	267 01
Centering ring for DN 100 ISO-K	268 06
Purge vent Kit	119 060V
Inlet filter adapter DN 100 ISO-K	119 020
Solenoid gas ballast kit, 24 V from serial number 31000530865	119 054V
Non-return valve (DN 100 PN 6)	119 010
Purge gas retrofit kit <sup>3)</sup>	119 030
Maintenance kit, level 1 (oil change kit) up to serial number 31000197911	EK 110 000 792
from serial number 31000197911	EK 110 000 832
Maintenance kit, level 2 (rotor inspection kit)	EK 110 000 793
Purge gas connection servicing kit	EK 110 000 827
Filter for gas ballast	E 110 000 980
Filter for purge gas valve unit	E 110 000 850
Water filter maintenance kit for SP 630 F	EK 110 000 813
Silencer service kit	EK 500 003 475
Seal kit for SP 630 check valve	EK 110 000 815

<sup>1)</sup> Must mount to adapter Part No. 119 021

<sup>2)</sup> For information on the dust filter please refer to the Catalog Part "Oil sealed Vacuum Pumps", Section "SOGEVAC", Chapter "Accessories"

<sup>3)</sup> Not for ATEX pumps and pumps which comprise this already



# General

## Applications for DRYVAC Pumps

Pumps	Applications							
	DRYVAC DV 450	DRYVAC DV 450 S	DRYVAC DV 450 C	DRYVAC DV 650	DRYVAC DV 650 S	DRYVAC DV 650 C	DRYVAC DV 1200	DRYVAC DV 1200 -1
Automotive industry	■		■			■		
Electrical engineering	■		■			■		
Energy technology		■	■		■	■		
Degassing	■		■			■		
Research and development	■	■	■		■	■	■	
Freeze drying	■	■	■		■	■		
Industrial gases	■	■	■		■	■		
Refrigeration and air conditioning	■		■			■		
Crystal pulling/casting	■	■	■		■	■		
Lamination	■		■		■	■		
Leak testing machines	■	■	■	■		■	■	
Loadlock chambers		■		■				■
Metallurgy/Furnaces	■		■			■		
Plasma cleaning or activation	■	■	■		■	■		
Welding technology	■	■	■	■		■	■	
Sterilization		■			■			
Vacuum coating		■			■			■
Vacuum drying	■	■	■	■		■	■	
Packaging	■		■			■	■	
Space simulation	■		■			■	■	
Wind turbines	■		■			■		
Backing pump for highvacuum systems	■		■			■	■	

## Oil for DRYVAC pumps for different pump types

Pumps	LEYBONOL Oils							
	DRYVAC DV 450	DRYVAC DV 450 S	DRYVAC DV 450 C	DRYVAC DV 650	DRYVAC DV 650 S	DRYVAC DV 650 C	DRYVAC DV 1200	DRYVAC DV 1200 -1
LVO 210	■	■	■	■		■	■	
LVO 410		■	■	■	■		■	

■ = Standard

The table only lists general applications. Your specific requirements might be subject to deeper analysis. For further questions, please contact our technical Sales support.

**For information on oil specifications please refer to Catalog Part "Oils / Greases / Lubricants LEYBONOL®".**



# Oil for DRYVAC pumps for different fields of application

**LEYBONOL Oils**

	LVO 210	LVO 410
<b>Applications</b>		
Automotive industry	■	
Electrical engineering	■	
Energy technology	■	
Degassing	■	
Research and development	■	
Freeze drying	■	
Industrial gases	■	
Refrigeration and air conditioning	■	
Crystal pulling/casting	■	
Lamination	■	
Leak testing machines	■	
Loadlock chambers	■	
Metallurgy/Furnaces	■	
Plasma cleaning or activation	●	■
Welding technology	■	
Sterilization	■	
Vacuum coating	■	
Vacuum drying	■	
Packaging	■	
Space simulation	■	
Wind turbines	■	
Backing pump for highvacuum systems	■	
Oxygen processes		■
PECVD		■

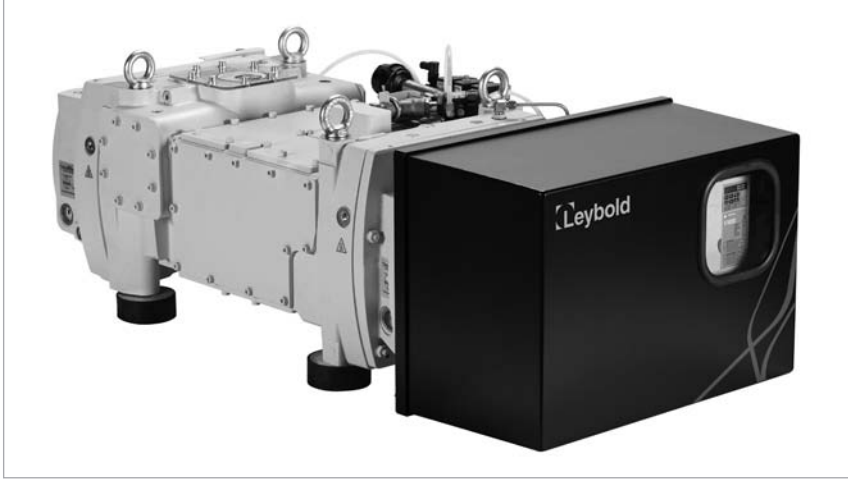
- = Standard
- = Possible

The table only lists general applications. Your specific requirements might be subject to deeper analysis. For further questions, please contact our technical Sales support.

**For information on oil specifications please refer to Catalog Part "Oils / Greases / Lubricants LEYBONOL®".**

# Products

## DRYVAC DV 450 to DV 1200 -i



DRYVAC DV 650



DRYVAC DV 1200 -i

### **DRYVAC – The benchmark in industrial vacuum processes**

The DRYVAC dry screw pumps provide high pumping speeds down to the lowest vacuum pressure levels required in industrial processes. The pumps provide continuous production output in your stressful environment minimizing the risk of contamination thanks to modern oil-free technology.

If you already own a mechanical booster, consider that dry pumps have the same low level of requirement in terms of maintenance and service.

All DRYVAC variants are water cooled, very compact and easy to combine into systems, in particular with the well-proven Roots pumps of the RUVAC WH series.

Concerning basic and full blown plug & play system combination of DRYVAC and RUVAC please refer the chapter DRYVAC SYSTEMS DS.

### **DRYVAC Versions**

The DRYVAC-i versions and DS-i-Systems (see chapter DRYVAC Systems DS) expand the DRYVAC by an on board controller with a touch screen display and a user interface allowing plug&play operation and configuration. Different interfaces are available: 24 V I/O, Profibus, Ethernet IP

DRYVAC 450/650 with external variable speed drive (FC) are available on request. These are named DV – r

The DRYVAC DV 650 200 V comes with an external variable speed drive (FC) as standard.

All DRYVAC DV 1200 come on a base plate with casters, adjustable feet and enclosure.

All DRYVAC S and C and DV 1200 versions comprise a water cooling unit which includes water distributions, a pressure reducer and an overpressure safety valve.

### **Features and Benefits**

#### **Maintenance**

- Minimal maintenance requirements lead to lowest cost of ownership
- Extended periods between user intervention
- Lower consumable costs

#### **Performance**

- Very stable pumping speed gives repeatability to processes
- Continuous pumping at atmosphere
- Ability to handle dust, vapors and process by-products
- Dry eliminates back-streaming, thus protecting reactive alloys from contamination

#### **Design**

- Superior and compact design
- Energy-efficient (benchmark in 650 class)
- Integrated variable speed drive cannot be harmed by industrial cooling water or dust
- Flexible to use (three inlet ports and low height)

#### **Safety**

- Low noise levels
- No hazardous oil vapors

## The best DRYVAC for every application

For industrial processes of all kinds, where rapid pumping down and short cycling (e.g. load locks) is required, the DRYVAC Industrial is the best solution.

The DRYVAC DV industrial versions (with **lubricant LVO 210, synthetic oil**) deliver an excellent pumping speed also in processes with pressures exceeding 100 mbar. They are suited for short cycle operation or for evacuation of large vacuum chambers.

The DRYVAC DV pumps are furthermore equipped with all features necessary for process industry applications (Purge gas unit including rotor purge or gas ballast for example).

In application with high oxygen concentrations, corrosive gasses or harsh PECVD processes pumps with **lubricant LVO 410 (PFPE)** are required. In these applications the DRYVAC DV C models are the right choice

## Typical Applications

- Metallurgy
- Coating
- Drying
- Solar
- Vacuum chamber evacuation
- Load lock

## Certifications

DRYVAC vacuum pumps are certified to NRTL and CSA according to UL 61010-1



## The DRYVAC series

comprises the models

DRYVAC DV 450

DRYVAC DV 650

DRYVAC DV 650 Atex Cat. 2 I T2

DRYVAC DV 1200

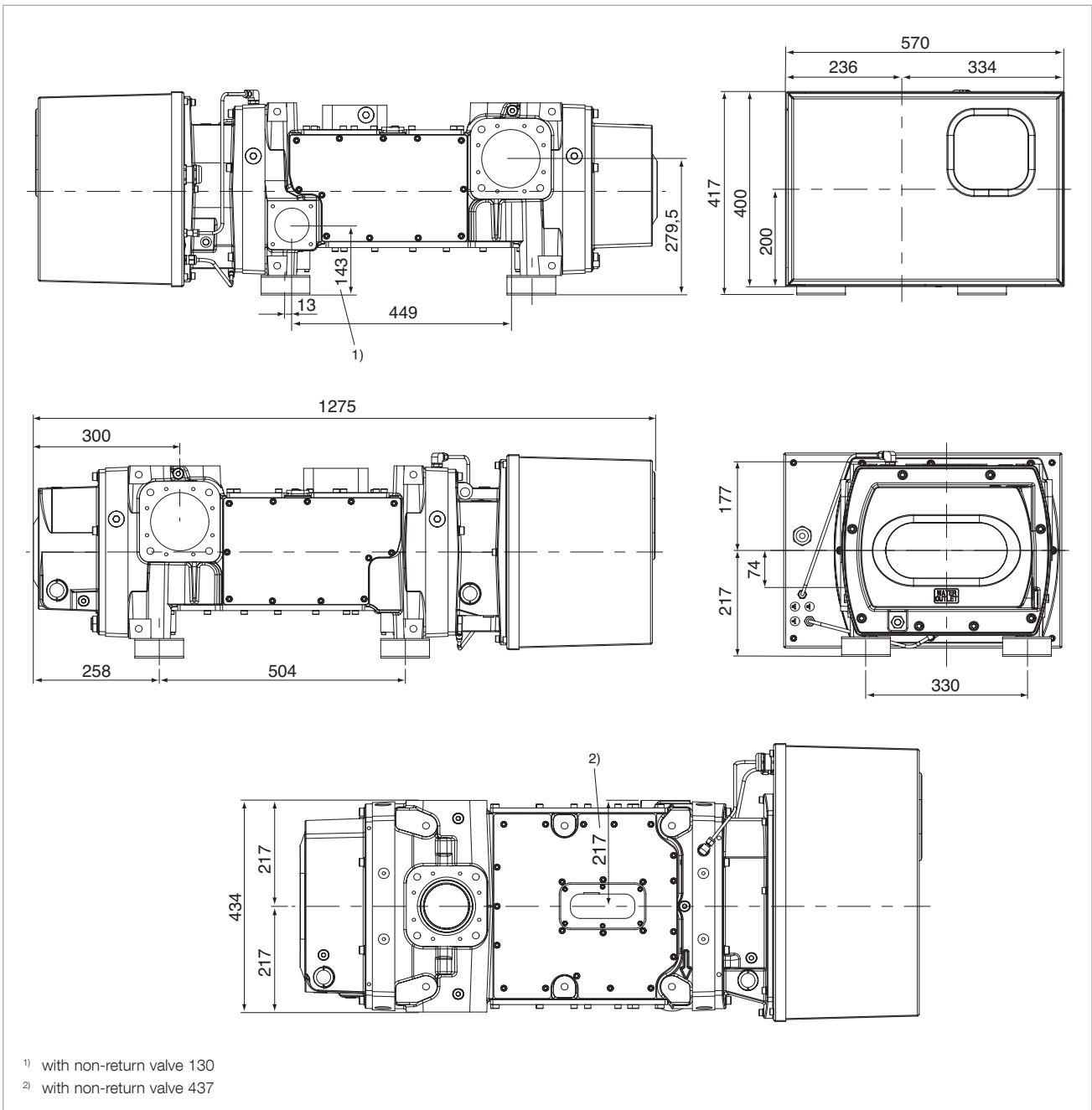
DRYVAC DV 1200 S-i

DRYVAC DV 1200 Atex Cat. 2 I T2

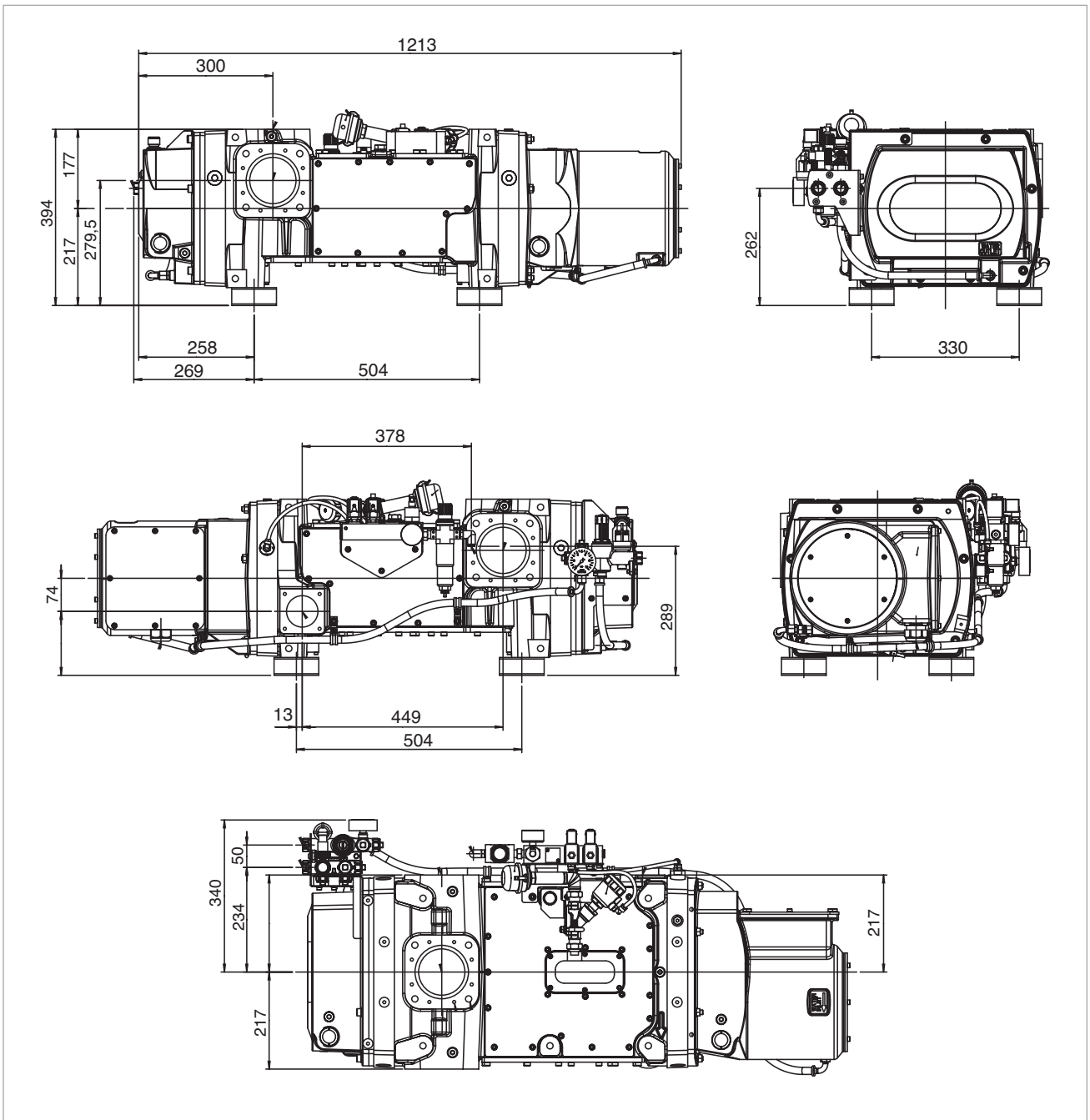
and allows for numerous combinations with Roots pumps from the RUVAC series.



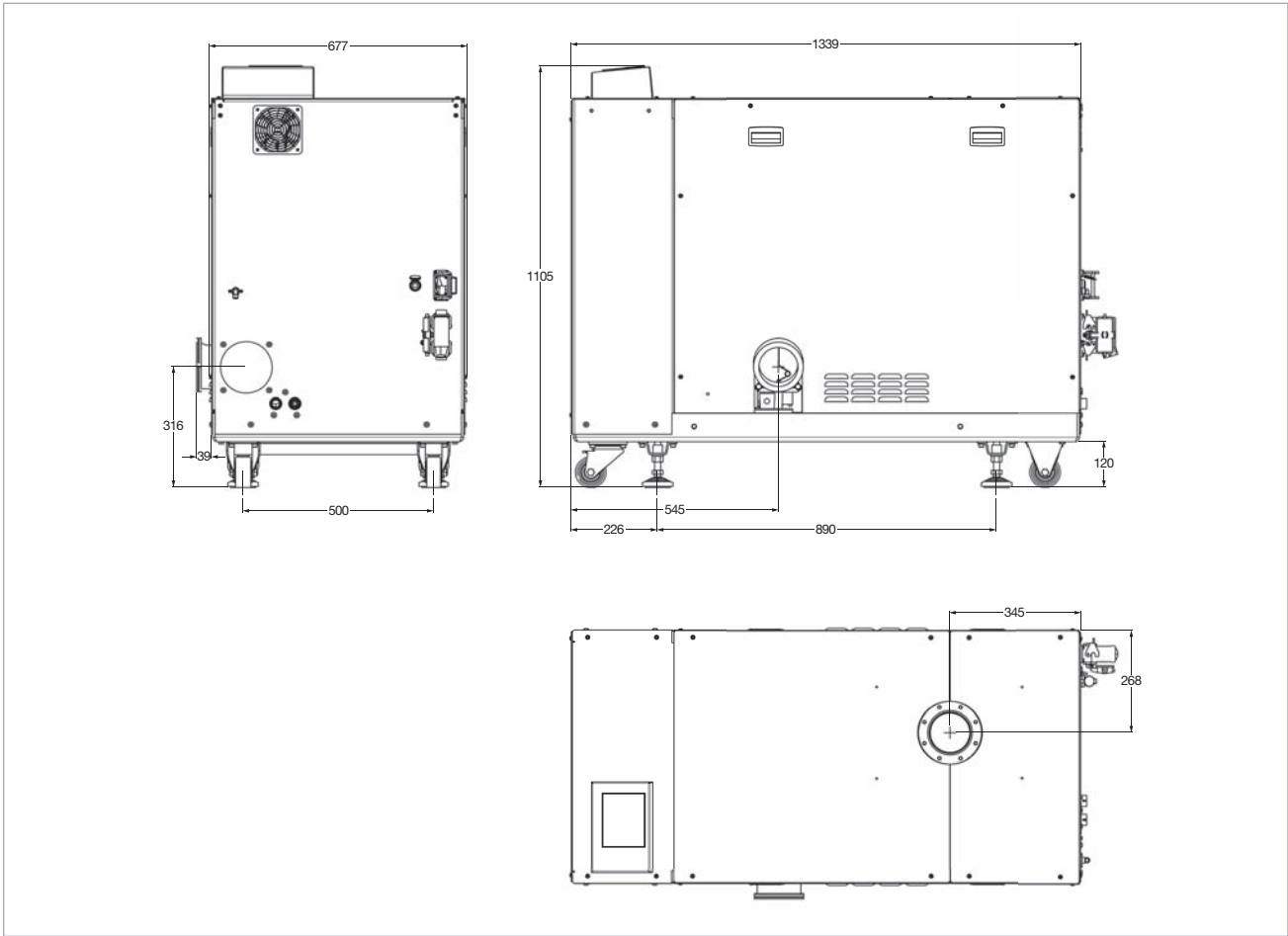
DRYVAC DS Systems with Roots Blowers RUVAC WAU 2001, WH 2500, WH 4400



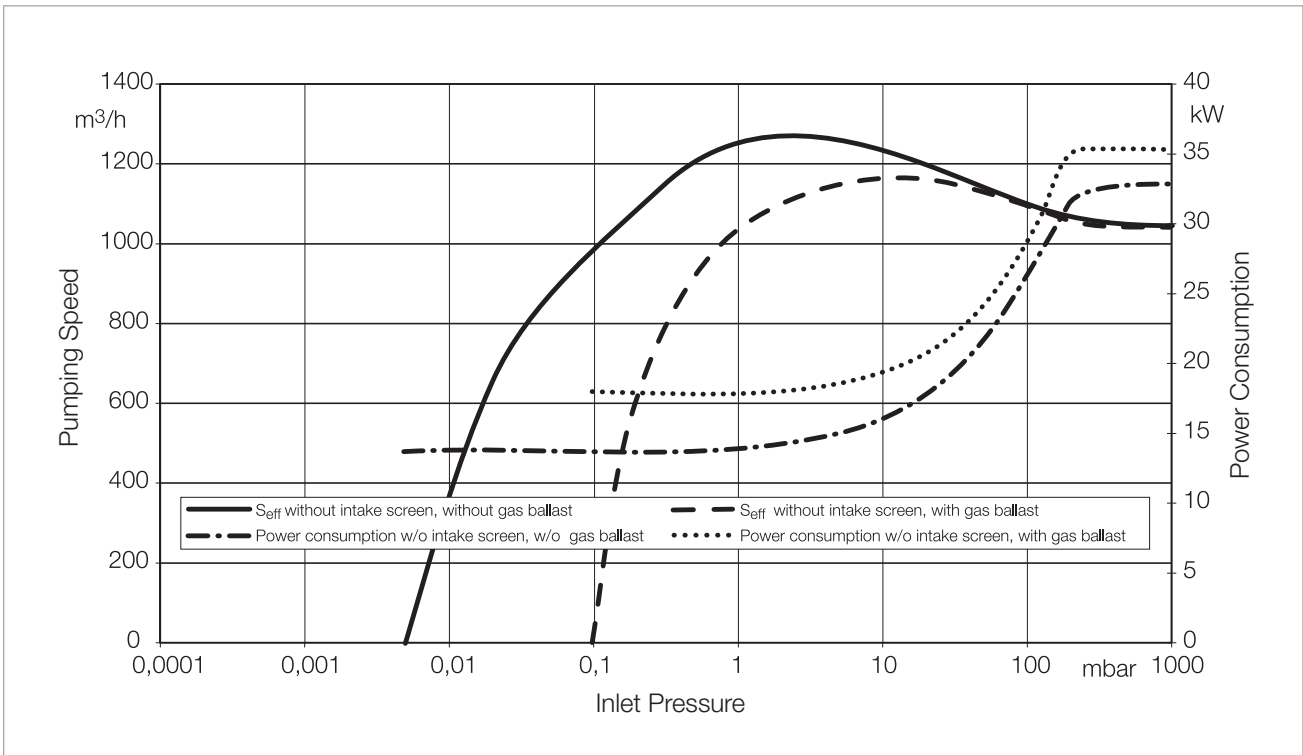
Dimensional drawing for the DRYVAC DV 450 and DV 650, all dimensions in mm



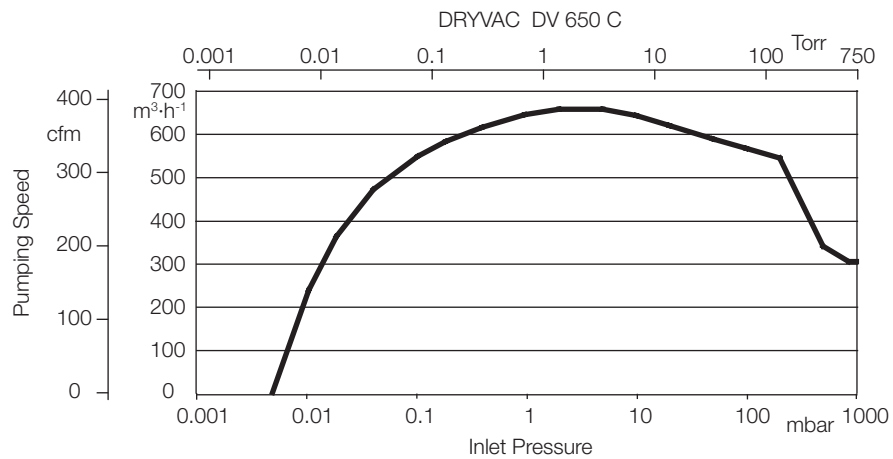
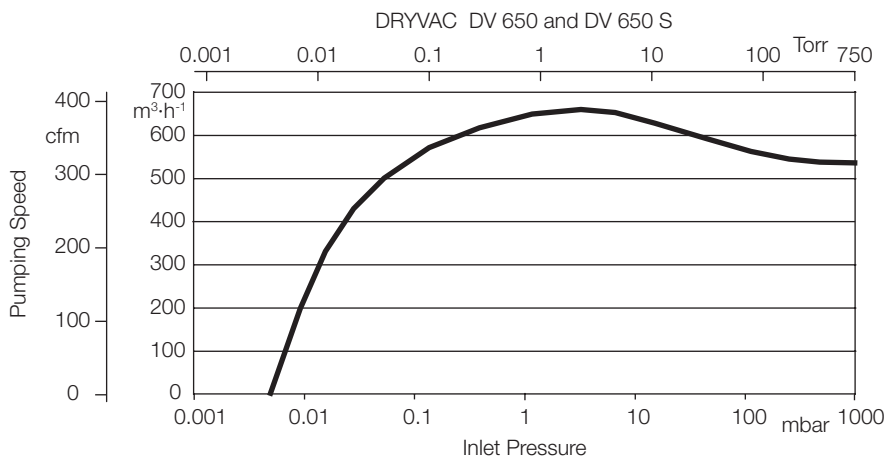
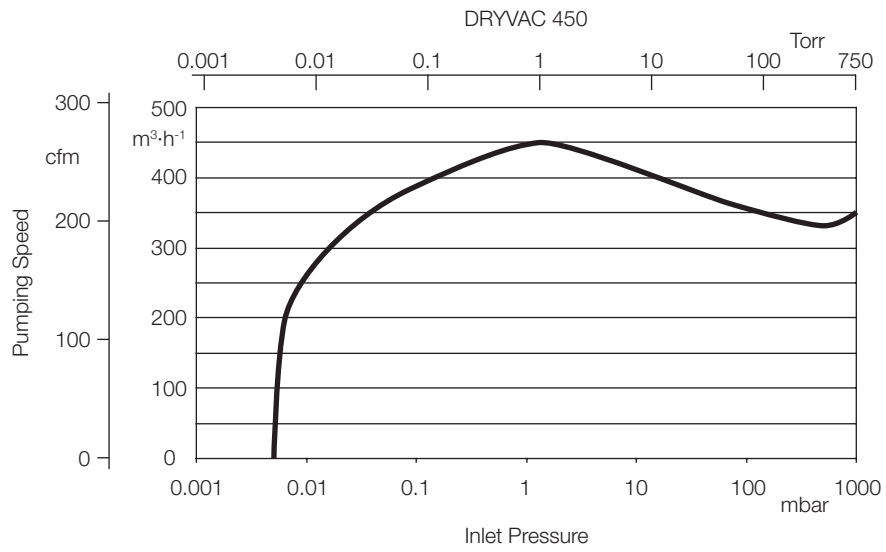
Dimensional drawing for the DRYVAC DV 450-r and DV 650-r, all dimensions in mm



Dimensional drawing for the DRYVAC DV 1200 S-i, all dimensions in mm



Pumping speed curves of the DRYVAC DV 1200 and DV 1200 S-i



Pumping speed curves of the DRYVAC DV 450, DV 650 (S) and DRYVAC DV 650 C

## Technical Data

## DRYVAC DV

		450	650	1200-i	1200
Nominal pumping speed	m <sup>3</sup> /h (cfm)	450 (265)	650 (383)	1250 (736)	1250 (736)
Max. effective pumping speed	m <sup>3</sup> /h (cfm)	450 (265)	650 (383)	1250 (736)	1250 (736)
Ultimate pressure	mbar (Torr)	5 x 10 <sup>-3</sup> (4 x 10 <sup>-3</sup> )	5 x 10 <sup>-3</sup> (4 x 10 <sup>-3</sup> )	5 x 10 <sup>-3</sup> (4 x 10 <sup>-3</sup> )	5 x 10 <sup>-3</sup> (4 x 10 <sup>-3</sup> )
Permissible ambient temperature	°C (°F)	+5 to +50 (+41 to +122)	+5 to +50 (+41 to +122)	+5 to +40 (+41 to +122)	+5 to +50 (+41 to +122)
Water vapour tolerance with > 20 slm purge gas or gas ballast	mbar (Torr)	60 (45)	60 (45)	- -	- -
with > 40 slm purge gas or gas ballast	mbar (Torr)	- -	- -	60 (45)	60 (45)
Water vapour capacity	kg/h	15	25	50	50
Noise level at ultimate pressure with silencer	dB(A)	67	67	67	67
with permanent exhaust line	dB(A)	65	65	65	65
Power consumption at ultimate pressure	kW	4.7	6.6	14	14
Cooling		water	water	water/air	water
Electrical connection		380 – 460 V, 50/60 Hz	380 – 460 V, 50/60 Hz	380 – 460 V, 50/60 Hz	380 – 460 V, 50/60 Hz
Phases		3-ph.	3-ph.	3-ph.	3-ph.
Nominal power at 400 V	kW	11	15	30	30
Nominal current at 400 V	A	24	31	62	62
Intake connection	DN	100 ISO-K PN6 (1x at the top, 2x at the side)	100 ISO-K PN6 (1x at the top, 2x at the side)	100 ISO-K	100 ISO-K
Exhaust side connection	DN	63 ISO-K	63 ISO-K	100 ISO-K	100 ISO-K
Protection class EN 60529	IP	54	54	20	54
Weight	kg (lbs)	620 (1367)	589 (1280)	1400 (3091)	1400 (3091)
Dimensions (W x D x H)	mm (in.)	1280 x 570 x 420 (50.4 x 22.4 x 16.5)	1280 x 570 x 420 (50.4 x 22.4 x 16.5)	1339 x 677 x 1105 (53.9 x 26.7 x 43.5)	1339 x 677 x 1105 (53.9 x 26.7 x 43.5)
Cooling water connection Threads, female	G	1/2	1/2	1/2	1/2
Cooling water temperature with gear oil LEYBONOL LVO 210	°C (°F)	5 to 35 (41 to 95)	5 to 35 (41 to 95)	5 to 35 (41 to 95)	5 to 35 (41 to 95)
with gear oil LEYBONOL LVO 410	°C (°F)	5 to 25 (41 to 77)	5 to 25 (41 to 77)	5 to 25 (41 to 77)	5 to 25 (41 to 77)
Cooling water throughput, nominal	l/min (US gallon/min)	6.0 (1.6)	7.5 (2.0)	15.0 (4.0)	15.0 (4.0)
Purge gas connection (plugged connection)		D10	D10	D10	D10



## Ordering Information

## DRYVAC DV

	450	650	1200-i	1200
	Part No.	Part No.	Part No.	Part No.
DRYVAC LVO 210 (Industrial) Double purge and air- gasballast				
200 V	<b>112045V19-1</b>	<b>112065V19-1</b>	-	-
400 V	<b>112045V15-1</b>	<b>112065V15-1</b>	-	<b>112120V17-1</b>
DRYVAC LVO 210 (Industrial) Triple purge, 400 V	-	<b>112065V17-1</b>	<b>112120V50-1</b>	-
DRYVAC LVO 210 (Industrial) Load lock, 400 V	<b>112045V09-1</b>	<b>112065V09-1</b>	-	-
DRYVAC LVO 210 ATEX, 400 V	-	<b>112065V11-1</b>	-	<b>112120V11-1</b>
DRYVAC LVO 410 (PFPE) S Single purge				
200 V	<b>112045V29-1</b>	-	-	-
400 V	<b>112045V20-1</b>	<b>112065V20-1</b>	<b>112120V40-1</b>	-
DRYVAC LVO 410 (PFPE) C Triple purge, 400 V	<b>112045V30-1</b>	<b>112065V30-1</b>	-	-
<b>Accessories</b>				
Profibus module for DRYVAC DV / DV-r	<b>155212V</b>			
ProfiNet module for DRYVAC DV / DV-r	<b>112005A35</b>			
EtherCAT module for DRYVAC DV / DV-r	<b>112005A36</b>			
Relay module (digital output) for DRYVAC DV	<b>112005A01</b>			
Ethernet module (Dual port) for DRYVAC DV	<b>112005A02</b>			
LEYASSIST Windows Software <sup>2)</sup>	<b>230439V01</b>			
RS232 adapter for FC DRYVAC RUVAC WH	<b>155224V</b>			
Adapter USB – RS232	<b>800110V0103</b>			
Interface kit 24 Volt I/O for DRYVAC DV / DV-i	<b>112005A22</b>			
Adapter DRYVAC for DV 450/650				
RUVAC WH 700	<b>112005A03</b>			
RUVAC WS(U) 1001	<b>112005A04</b>			
RUVAC WS(U) 2001	<b>112005A05</b>			
RUVAC WH(U) 2500	<b>112005A07</b>			
RUVAC WH(U) 4400/7000	<b>112005A10</b>			
Cooling water unit				
DRYVAC 450/650	<b>112005A12</b>			
DRYVAC 450/650-r	<b>112005A13</b>			
Non-return valve DRYVAC, DN 63 ISO-K <sup>1)</sup>	<b>112005A15</b>			
Gas ballast kit DRYVAC, 24 V electro-pneumatic	<b>112005A17</b>			
Silencer				
DN 63 ISO-K for DRYVAC DV 450/650 and SCREWLINE SP 250	<b>119002</b>			
DN 100 ISO-K for DRYVAC 1200 and SCREWLINE SP 630	<b>119001</b>			
Serviceable silencer				
DN 63 ISO-K for DRYVAC DV 450/650 and SCREWLINE SP 250	<b>119003V</b>			
DN 100 ISO-K for DRYVAC 1200 and SCREWLINE SP 630	<b>119004V</b>			
External display (not for 1200-i)	<b>155213V</b>			
Harting plug DRYVAC S-i/C-i	<b>112005A20</b>			
Set of nozzles for DRYVAC purge gas	<b>112005A30</b>			
Permanent inlet purge kit	<b>112005A32</b>			

<sup>1)</sup> Already integrated in all -i versions

<sup>2)</sup> Operating, configuration and analysis software for DRYVAC and other Leybold products

# Products

## Dry Vacuum Claw Pumps CLAWVAC CP 65 to CP 300 Over-Pressure Claw Pumps CLAWVAC OP 150 to OP 300



Claw vacuum pumps CLAWVAC CP 150 and CP 300

In the CLAWVAC, a claw rotor pair rotates completely contactless and wearfree in the cylinder. The CLAWVAC differentiates itself from conventional claw pumps mainly through its material selection. Stainless steel rotors as well as the corrosion-resistant coated vacuum chamber also prove themselves under very harsh process conditions and contribute to a reliable operation.

The systems offer great advantages for a wide range of rough vacuum and over-pressure applications.

The pumps design enables extreme robustness, especially for challenging applications which include handling of particle or vapor contaminated gases.

### Advantage to the User

- **Oil free compression room**
  - No oil migration into process
  - No oil contamination
- **Air cooled**
  - Extremely efficient air cooling for lowest operation temperature
  - No demand for expensive cooling water
  - Performance independent from water temperature
- **Flexible**
  - Variable speed drive (VSD) compatible
  - Compact design with small footprint
  - Cool running
- **Environment friendly**
  - Market leading low noise level
  - Lowest power consumption
  - Up to 50% energy saving by operation with VSD
- **Safe operation**
  - Continuous operation at any inlet pressure without overheating
  - Most robust bearing and seal design

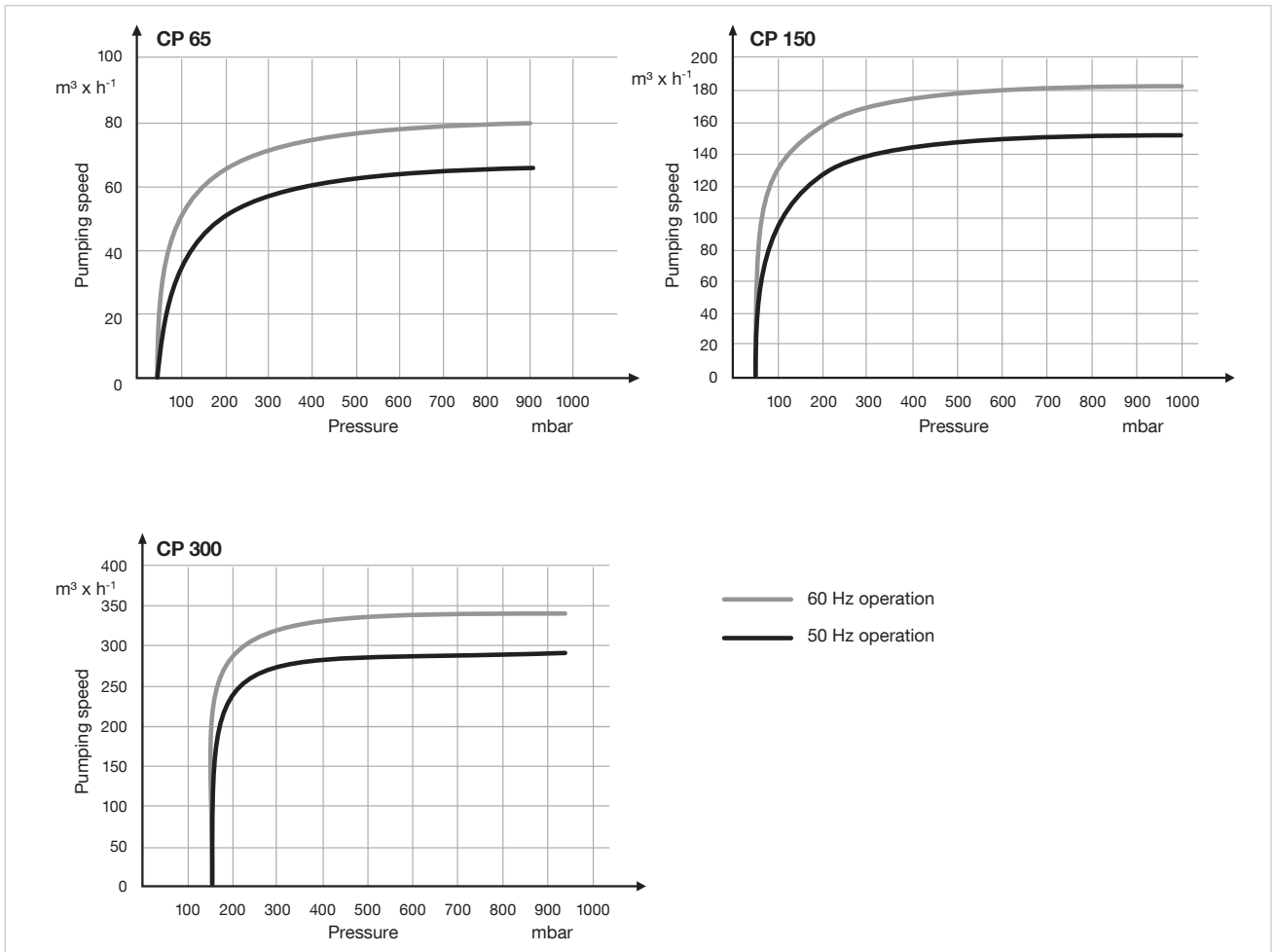
### Typical Applications

- **Food Processing**
  - Bottling
  - Dairy products (e.g. milking)
  - Vacuum conveying (e.g. in slaughterhouse)
  - Beverage production
- **Food Packaging**
  - Thermoforming of foil container
  - Tray sealing
  - Modified Atmosphere Packaging (MAP)
- **Woodworking**
  - Holding & lifting
  - CNC router
  - Drying & impregnation
- **Material Transport & Holding**
  - Print & paper (press & post-press)
  - Vacuum conveying
  - Vacuum clamping
- **Degassing**
  - Li-battery slurry
  - Ceramics & bricks
- **Thermoforming**
  - Deep drawing of bath tubs

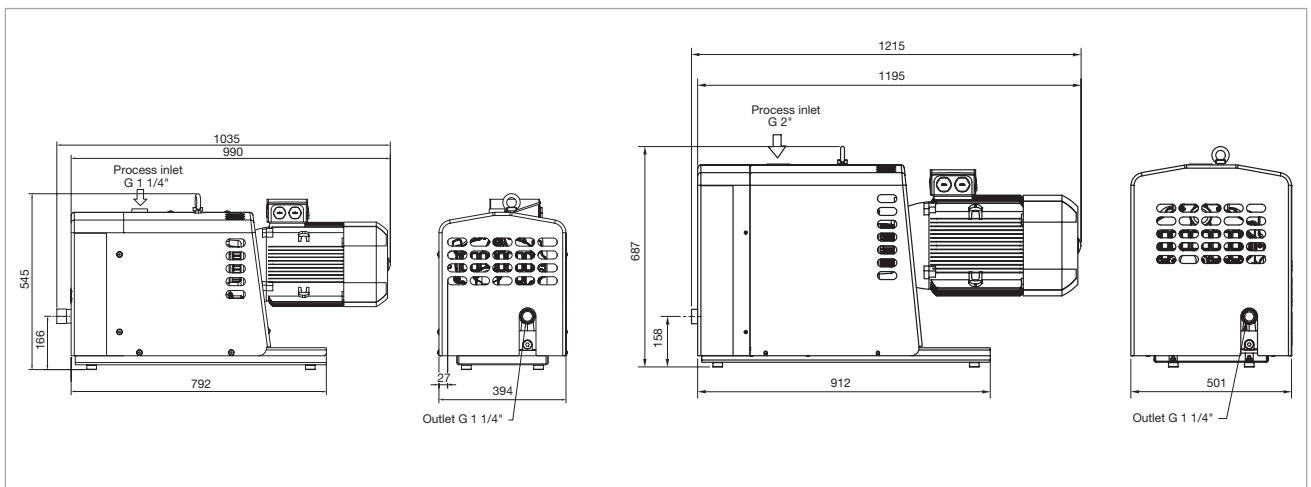
- **Plastic Industry**
  - Composite manufacturing
  - Granulate conveying
  - Extruder degassing (e.g. PP, PE, PS)
  - Gluing
- **Environmental Engineering**
  - Sewage degassing
  - Biogas production
  - Soil remediation



Corrosion resistant stainless steel claws and coated pumping chamber



Pumping speed characteristics CP 65, CP 150 and CP 300 right



Dimensional drawing – CP 65 and CP / OP 150 left, CP / OP 300 right (dimensions in mm)

## Technical Data

## CLAWVAC

			CP 65	CP 150	CP 300
Pumping speed	50 Hz	m <sup>3</sup> /h	65	150	300
	60 Hz	m <sup>3</sup> /h	79	184	347
Ultimate vacuum	mbar / Torr		50 / 37.5	50 / 37.5	140 / 105
Continuous operation range	mbar / Torr		50 – 1000 / 37.5 – 750	50 – 1000 / 37.5 – 750	140 – 1000 / 105 – 750
Permissible ambient temperature range	°C / °F		0 – 40 / 32 – 104		
Connections			Inlet: G 1 1/4" or NPT Outlet: G 1 1/4" or NPT	Inlet: G 1 1/4" or NPT Outlet: G 1 1/4" or NPT	Inlet: G 2" or NPT Outlet: G 1 1/4" or NPT
Motor size	50 Hz	kW	1.8	4.0	6.2
	60 Hz	kW	2.2	3.7	7.5
Operation range	Hz		20 – 60		
Noise level (50 Hz / 60 Hz)	dB(A)		66 / 77	75 / 80	77 / 84
Weight	kg		120	160	252
Motor protection class	IP		55		

## Ordering Information

## CLAWVAC

	CP 65	CP 150	CP 300
	Part. No.	Part. No.	Part. No.
230 V 50 Hz 3Ph	<b>178065V01</b>	<b>178150V01</b>	<b>178300V01</b>
380 V 60 Hz 3Ph	<b>178065V02</b>	<b>178150V02</b>	<b>178300V02</b>
400 V 50 Hz 3Ph	<b>178065V03</b>	<b>178150V03</b>	<b>178300V03</b>
575 V 60 Hz 3Ph	<b>178065V04</b>	<b>178150V04</b>	<b>178300V04</b>
200 V 60 Hz 3Ph	<b>178065V05</b>	<b>178150V05</b>	<b>178300V05</b>
460 V 60 Hz 3Ph	<b>178065V06</b>	<b>178150V06</b>	<b>178300V06</b>
230/460 V 60 Hz 3Ph	<b>178065V07</b>	<b>178150V07</b>	<b>178300V07</b>
200 V 50 Hz 3Ph	<b>178065V08</b>	<b>178150V08</b>	<b>178300V08</b>
230 V 60 Hz 3Ph	<b>178065V09</b>	<b>178150V09</b>	<b>178300V09</b>
500 V 50 Hz 3Ph	<b>178065V10</b>	<b>178150V10</b>	<b>178300V10</b>

## Technical Data

## CLAWVAC

			OP 150	OP 300
Max. volume flow	50 Hz	l/s	30.2	66
	60 Hz	l/s	40	82
Max. over-pressure	bar(g) / psi		2.5 / 36	
Permissible ambient temperature range	°C / °F		0 – 40 / 32 – 104	
Connections			Inlet: G 1 1/4" or NPT Outlet: G 1 1/4" or NPT	Inlet: G 2" or NPT Outlet: G 1 1/4" or NPT
Motor size	50 Hz / 60 Hz	kW	14	6.2
Operation range	Hz		20 – 60	
Noise level (50 Hz / 60 Hz)	dB(A)		75 / 80	77 / 82
Weight	kg		160	252
Motor protection class	IP		55	

## Ordering Information

## CLAWVAC

	OP 150	OP 300
	Part. No.	Part. No.
230 V 50 Hz 3Ph	<b>178150P01</b>	<b>178300P01</b>
380 V 60 Hz 3Ph	<b>178150P02</b>	<b>178300P02</b>
400 V 50 Hz 3Ph	<b>178150P03</b>	<b>178300P03</b>
575 V 60 Hz 3Ph	<b>178150P04</b>	<b>178300P04</b>
200 V 60 Hz 3Ph	<b>178150P05</b>	<b>178300P05</b>
460 V 60 Hz 3Ph	<b>178150P06</b>	<b>178300P06</b>
230/460 V 60 Hz 3Ph	<b>178150P07</b>	<b>178300P07</b>
200 V 50 Hz 3Ph	<b>178150P08</b>	<b>178300P08</b>
230 V 60 Hz 3Ph	<b>178150P09</b>	<b>178300P09</b>
500 V 50 Hz 3Ph	<b>178150P10</b>	<b>178300P10</b>

