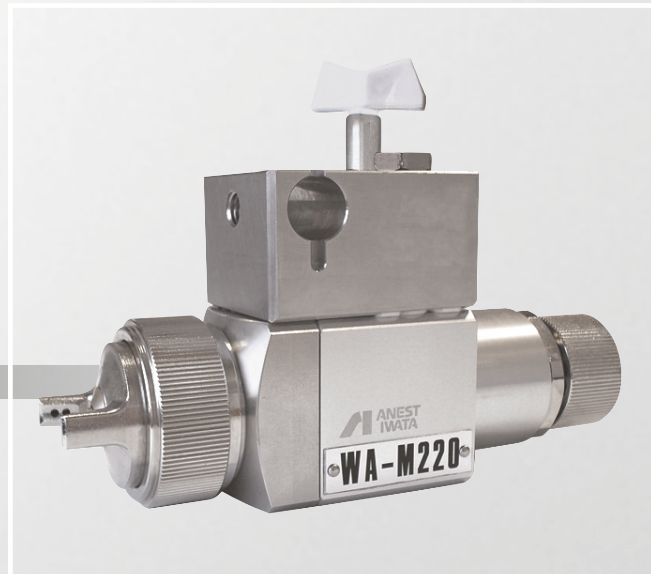


AUTOMATIC SPRAY GUNS

General Purpose



Robot Application



Special Purpose



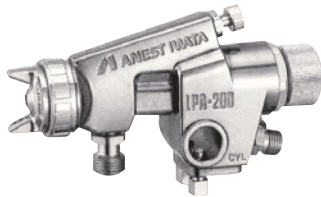
WA-200 | WA-101 | LPA-200 | LPA-101



WA-200



WA-101



LPA-200



LPA-101

TECHNICAL	Ø mm	No.	bar/psi	m ³ /min	CFM	mm
	WA-200					
WA-200-082P	0.8	G2P	3.0/43.5	500	18.7	400
WA-200-102P	1.0					
WA-200-122P	1.2					
WA-200-152P	1.5					
WA-200-202P	2.0					
WA-200-251P	2.5	W1	500	13.5	330	
WA-101						
WA-101-082P	0.8	E2P	3.0/43.5	150	9.5	190
WA-101-101P	1.0	E1	3.0/43.5	100	3.2	140
WA-101-102P	1.0	E2P	3.0/43.5	200	9.5	220
WA-101-132P	1.3	H2	3.0/43.5	250	9.2	230
WA-101 ROUND PATTERN						
WA-101R-05P	0.5	RP	3.0/43.5	20	1.4	35
LPA-200						
LPA-200-122P	1.2	G2	2.0/29	500	17.7	300
LPA-101						
LPA-101-101P	1.0	E1	2.7/39	150	15.2	200

Air Nipple: G1/4" • Fluid Nipple: G1/4"

ORDER Information - WA-200

WA-200	Ø 0.8	Ø 1.0	Ø 1.2	Ø 1.5	Ø 2.0	Ø 2.5	\$
AUTOMATIC SPRAY GUN	5603	5604	5605	5610	5615	5620	611.00
NOZZLE + NEEDLE SET	93853620	93855620	93820620	93821620	93822620	93824620	122.00
AIR CAP SET	G2P 93818611			-	-	-	110.00
AIR CAP SET	-			K2 938166111	R2 93814611	W1 93813611	101.00

WA-200 ZP

	Ø 1.5	Ø 2.0	Ø 2.5	\$
GUN FOR ABRASIVE PAINT	5627	5625	5626	993.00
NOZZLE + NEEDLE SET	WA-200-X2	93836620	93838620	593.00
AIR CAP SET - R1Z	93871611			208.00

ORDER Information - WA-101

WA-101	Ø 0.8	Ø 1.0	Ø 1.3	Ø 0.5 RP	\$
AUTOMATIC SPRAY GUN	5606B	5438B	5440B	5441B	529.00
NOZZLE + NEEDLE SET	93811621	93808621	93813621	93816621	104.00
AIR CAP SET	E2P 93704610	-	-	-	93.00
AIR CAP SET	-	E1 93689610	-	-	82.00
AIR CAP SET	-	-	H2 93696610	-	84.00
AIR CAP SET	-	-	-	WA101R 93815622	93.00

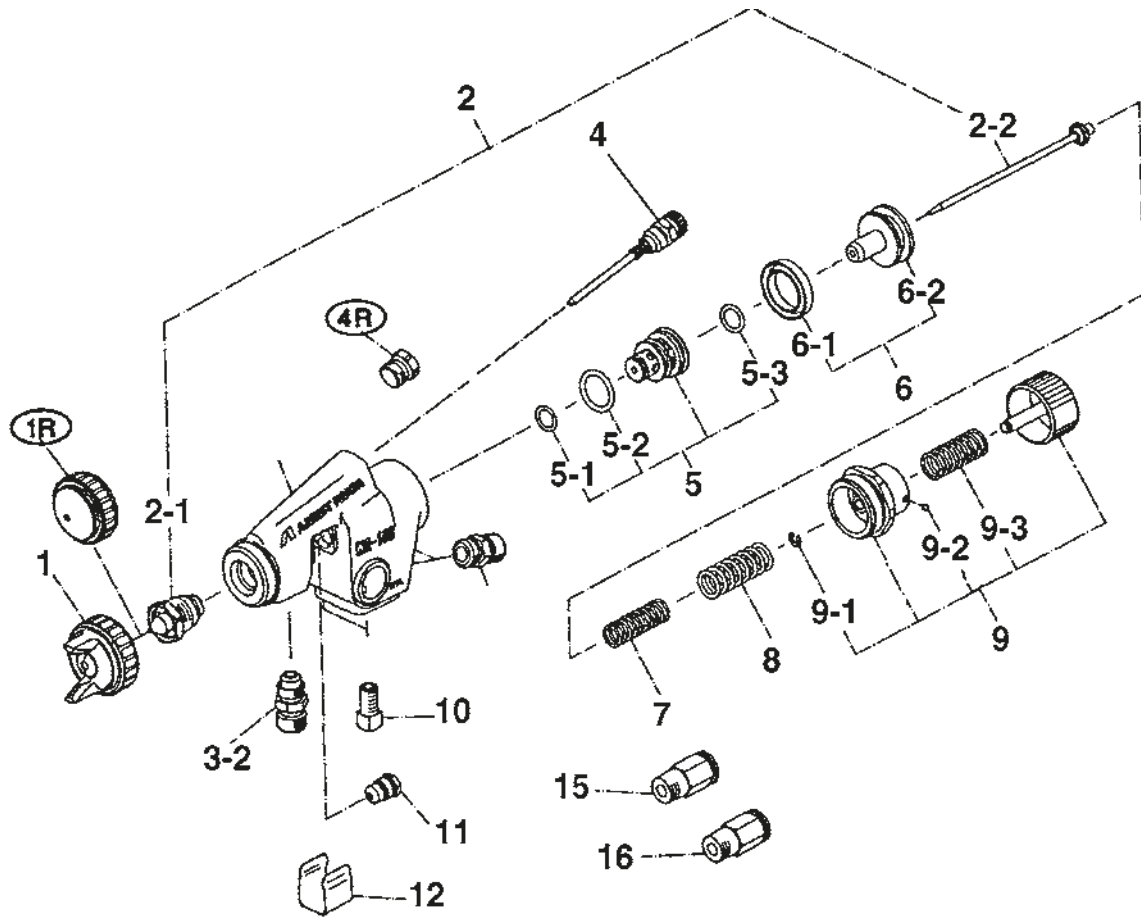
ORDER Information - LPA-200

	Ø 1.2	\$
AUTO. GUN LPA-200-122P	5308	1,002.00
NOZZLE + NEEDLE SET	93826620	155.00
AIR CAP SET	G2 93822601	152.00

ORDER Information - LPA-101

	Ø 1.0	\$
AUTO. GUN LPA-101-101P	5306B	810.00
NOZZLE + NEEDLE SET	93818620	155.00
AIR CAP SET	E1 93832532	115.80





SPARE PARTS

Ref.	Code	Description	Size					\$
				WA-200	WA-101	LPA-200	LPA-101	
1		AIR CAP SET		X	X	X	X	P. 64
2		NOZZLE + NEEDLE SET		X	X	X	X	P. 64
2-2	93644620	SPECIAL NEEDLE with TIP in Delrin		X				164.00
	9W-200-X17-1	NEEDLE TIP in Delrin	ø 0.8; 1.0; 1.2	X				76.00
3-1	93502620	AIR NIPPLE G 1/4"	ø 0.8; 1.0; 1.2	X	X	X	X	14.00
3-2	93515600	FLUID NIPPLE	G 3/8"	X				17.00
3-2	93584530	FLUID NIPPLE	G 1/4"	X	X	X	X	16.00
4	93801621	SPREAD ADJ. SET			X			33.00
4	93801621	FAN ADJUSTING SET					X	33.00
4	93812640	PATTERN ADJ. SET for Remote Control		X	X	X		298.00
4	93812621	PATTERN ADJ. SET		X		X		35.00
4R	93625370	BLANK SCREW			X			19.00
5	93805620	AIR VALVE SEAT SET		X	X	X	X	63.00
5-1; 5-2; 5-3	93849620	O RING SET		X	X	X	X	14.00
6-1	93903440	PISTON PACKING SET	2 pcs./1 pk.	X	X	X	X	20.00
6-2	93511580	PISTON		X	X	X	X	6.00
7	93514580	NEEDLE SPRING		X	X	X	X	6.00
8	93513580	PISTON SPRING		X	X	X	X	6.00
9	93840581	FLUID ADJ. SET		X	X	X	X	133.00

SPARE PARTS

Ref.	Code	Description	Size					\$
				WA-200	WA-101	LPA-200	LPA-101	
9-1	93912030	E STOPPER	2 pcs./1 pk.	X	X	X	X	4.00
9-2	93914730	BALL	2 pcs./1 pk.	X	X	X	X	4.00
9-3	93104420	FLUID ADJ. SPRING		X	X	X	X	8.00
10	93811580	BOLT SET		X	X	X	X	21.00
10-1	93810580	BOLT CAP					X	14.00
11	93765610	NEEDLE PACKING CARTRIDGE		X	X	X		36.00
11	93765610	NEEDLE PACKING SET					X	36.00
12	93522581	COVER		X	X	X		14.00
12	93522581	COVER					X	14.00
15	96801162	HALF UNION ø 6 mm		X	X	X	X	20.00
16	96801182	HALF UNION ø 8 mm		X	X	X	X	20.00
	93834580	AIR VALVE SEAT AXIS TOOL		X	X	X	X	203.00
	93576530	AIR CAP "L" PACKING BLACK			X	X		5.00
	93708240	AIR CAP PACKING WHITE		X				5.00
	93512600	AIR CAP L PACKING BLACK		X				6.00
	93858620	LOCKNUT FLUID ADJUST KNOB			X	X		152.00
	96990600	BRUSH			X	X	X	4.00
	93538600	GUN WRENCH			X	X	X	17.00



WRA-101 | WRA-200 | LRA-200



WRA-101



WRA-200



LRA-200

TECHNICAL						
	Ø mm	No.	bar/psi	ml/min	CFM	mm
WRA-101						
WRA-101-082P	0.8	E2P	CAP 2.7/39 FAN 2.1/31	20	9.5	190
WRA-200						
WRA-200-122P	1.2	G2P	CAP 2.7/39 FAN 2.3/34	500	18.7	400
LRA-200						
LRA-200-082P	0.8	G2	CAP 1.6/23 FAN 1.4/20	400	17.7	250
LRA-200-122P	1.2			500		300

WRA-101 Air Nipple: Rc 1/4" • Fluid Nipple: Rc 1/4"
WRA/LRA-200 Air Nipple: Rc 1/8" • Fluid Nipple: Rc 1/8"

ORDER Information - WRA-101

WRA-101	Ø 0.8	Ref.	\$
AUTOMATIC SPRAY GUN	5630B	-	1,230.00
NOZZLE + NEEDLE SET	93831621	2	95.00
AIR CAP SET - E2P	93704610	1	93.00

ORDER Information - WRA-200

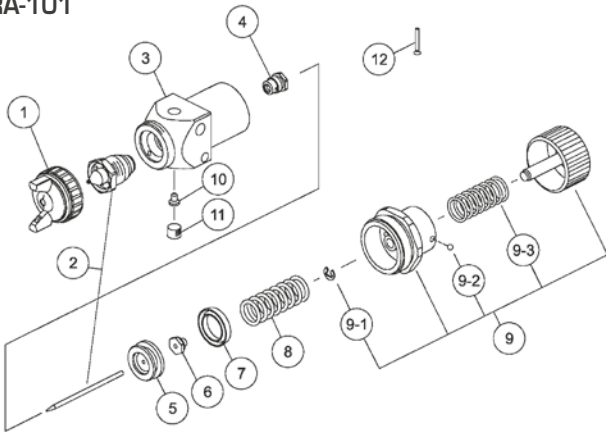
WRA-200	Ø 1.2	Ref.	\$
AUTOMATIC SPRAY GUN	5635	-	1,292.00
NOZZLE + NEEDLE SET	93834620	2	101.00
AIR CAP SET - G2P	93818611	1	110.00

ORDER Information - LRA-200

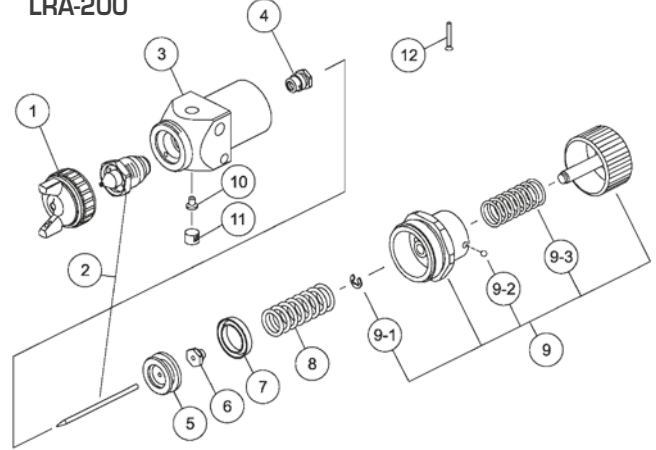
LRA-200	Ø 0.8	Ø 1.2	Ref.	\$
AUTOMATIC SPRAY GUN LRA-200-082P	5636	-	-	1,583.00
AUTOMATIC SPRAY GUN LRA-200-122P	-	5307	-	1,518.00
NOZZLE + NEEDLE SET	93857620	-	2	144.00
NOZZLE + NEEDLE SET	-	93835620	2	139.00
AIR CAP SET - G2	93822601		1	152.00



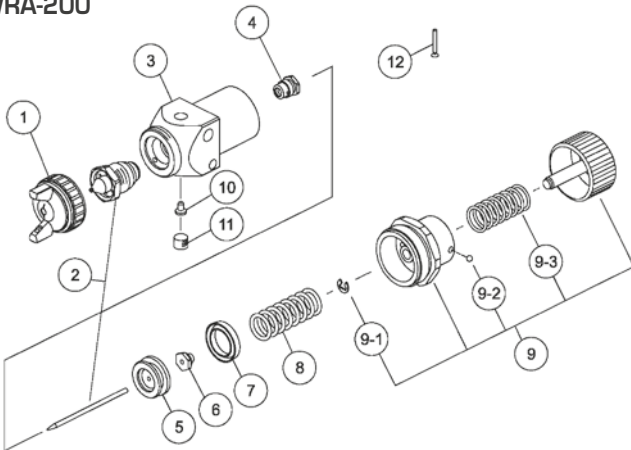
WRA-101



LRA-200



WRA-200



SPARE PARTS

Ref.	Code	Description	WRA-101	WRA-200	LRA-200	\$
1	93704610	AIR CAP SET E2P	X			93.00
1	93818611	AIR CAP SET G2P		X		110.00
1	93822601	AIR CAP SET G2			X	152.00
2		NOZZLE/NEEDLE SET	X	X	X	P.66
4	93847580	NEEDLE PACKING SET	X	X	X	113.00
5	93629570	PISTON	X	X	X	55.00
6	93455230	NUT	X	X	X	16.00
7	93903440	PISTON PACKING (2 pcs./1 pk.)	X	X	X	20.00
8	94003880	PISTON SPRING	X	X	X	47.00
9	93840581	FLUID ADJUSTMENT SET	X			133.00
9	93840581	FLUID ADJUSTMENT SET		X	X	133.00
9-1	93912030	STOPPER (2 pcs./1 pk.)	X	X	X	4.00
9-2	93914730	BALL (2 pcs./1 pk.)	X	X	X	4.00
9-3	93104420	FLUID ADJ. SPRING	X	X	X	8.00
10	93526620	PLUG	X	X	X	33.00
11	96990440	PLUG WITH HEXAGON HOLE	X	X	X	7.00
12	96172529	SCREW	X	X	X	3.00



WA-M220 | WA-M220-L WITHOUT MANIFOLD



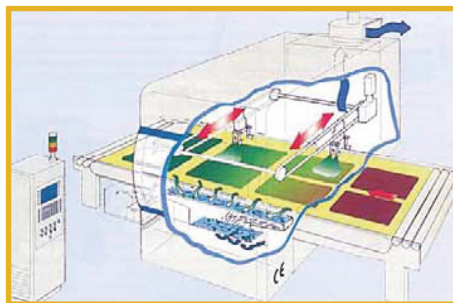
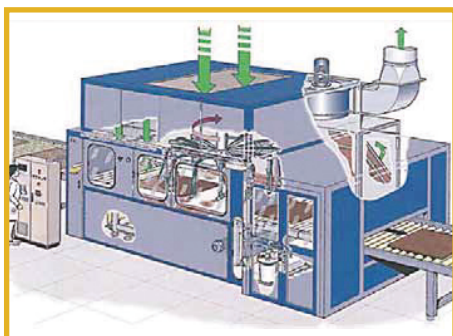
FEATURES

HIGH ATOMIZATION

- Patented split nozzle technology
- High transfer efficiency with ANEST IWATA air cap technology
- Able to handle the most difficult water base & solvent borne fluid materials with minimum overspray

EASY TO USE

- No need to use solenoid valve: atomization & fan air close together with air piston
- Two step detachment technique: remarkable reduction of production downtime
- Quick air cap disassembly
- Index (90° - 180°) air cap
- 16 position fluid needle adjustment



TECHNICAL



WA-M220 STANDARD SIZED ATOMIZER (WITHOUT MANIFOLD)						
Model	Ø mm	No.	bar/psi	m³/min	CFM	mm
WA-M220	0.4 - 0.6 - 0.8 - 1.0	LV2	2.4/34.8	100	12.7	155
WA-M220	1.5 - 1.6	G2P		500	18.7	400
WA-M220WB WATER BASED VERSION (WITHOUT MANIFOLD)						
Model	Ø mm	No.	bar/psi	m³/min	CFM	mm
WA-M220WB-081	0.8	WB1	1.5/21.8	200	12	300
WA-M220WB-101	1.0			250		320
WA-M220WB-121	1.2			250		330
WA-M220WB-141	1.4			300		340
WA-M220WB-161	1.6			300		350
WA-M220-L SMALL SIZED ATOMIZER (WITHOUT MANIFOLD)						
Model	Ø mm	No.	bar/psi	m³/min	CFM	mm
WA-M220-L044	0.4	E4	0.8/11.6	10	2.1	55
WA-M220-L064	0.6			30		80
WA-M220-L084	0.8			45		100
WA-M220-L104	1.0			60		130
WA-M220-L124	1.2			75		140

Air & Fluid Manifold Connection: G 1/8"

ORDER Information - WA-M220 Series WITHOUT MANIFOLD

WA-M220	Ø 0.4	Ø 0.6	Ø 0.8	Ø 1.0	Ø 1.5	Ø 1.6	Ref.	\$
WITHOUT MANIFOLD	5160	5161	5482	5162	5163	5164	-	794.00
NOZZLE + NEEDLE SET	93006850	93006860	93006660	93006670	93006680	93006870	2	142.00
AIR CAP SET (LV2)	93006500				-	-	1	120.00
AIR CAP SET (G2P)	-	-	-	-	93006460		1	148.00

WA-M220 WB	Ø 0.8	Ø 1.0	Ø 1.2	Ø 1.4	Ø 1.6	Ref.	\$
WITHOUT MANIFOLD	5170	5171	5172	5173	5174	-	962.00
NOZZLE + NEEDLE SET	93006750	93006760	93006770	93006780	93006790	2	221.00
AIR CAP SET (WB1)	93006520				-	1	209.00

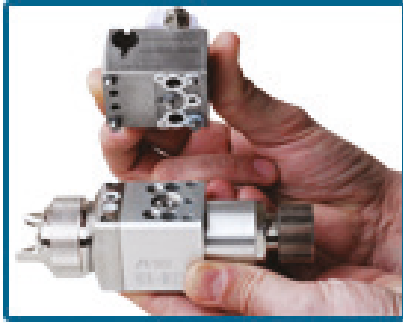
WA-M220 L	Ø 0.4	Ø 0.6	Ø 0.8	Ø 1.0	Ø 1.2	Ref.	\$
WITHOUT MANIFOLD	5180	5180	5483	5182	5183	-	1,100.00
NOZZLE + NEEDLE SET	93984890	93984900	93984910	93984920	93984930	2	170.00
AIR CAP SET (E4)	93662600				-	1	119.00

AIR CAP CONVERSION KIT	Ø 0.4	Ø 0.6	Ø 0.8	Ø 1.0	Ø 1.2	Ref.	\$
	93984830	93984840	93984850	93984860	93984870	21+21-1+1+2	300.00

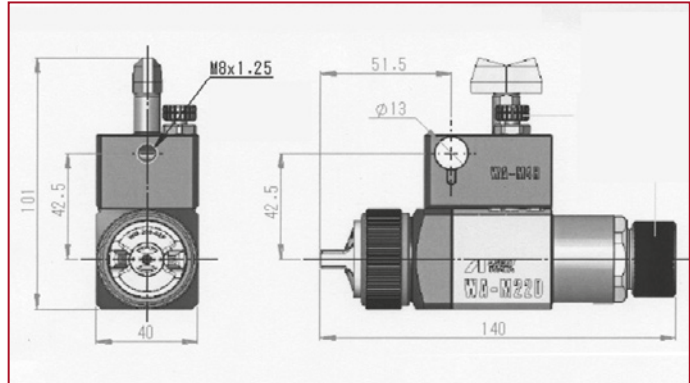


Easy to Maintain

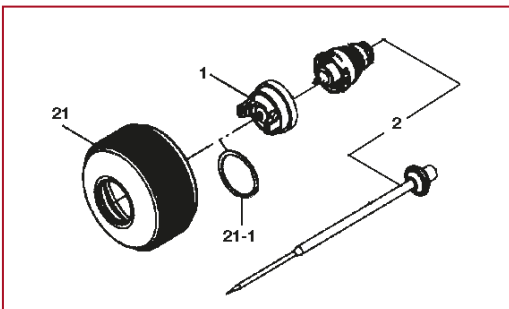
- Simple quick disassembly from manifold
- Fluid needle and air piston disassembled from rear of spray gun
- Smooth stainless steel fluid passages to comply with all water-based materials



Dimensions

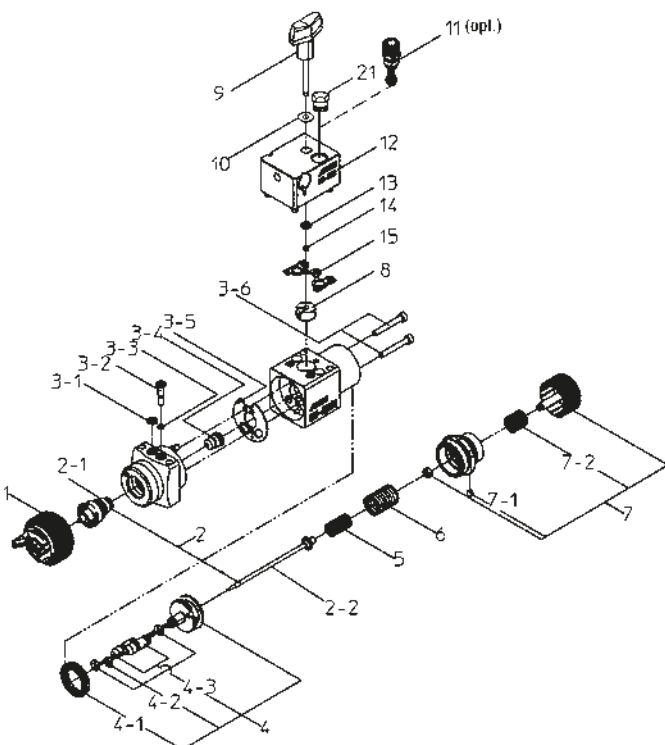


AIR CAP Conversion Kit



SPARE PARTS

Ref.	Code	Description		\$
21	93984880	AIR CAP COVER SET	WA-M220L	135.00
21-1	93512600	AIR CAP PACKING	WA-M220L	6.00
	5488	MANIFOLD UNIT SET		299.00
3-1	96639506	O RING		10.00
3-2	93570630	PLUG		18.00
3-3	93570640	O RING		14.00
3-4	93765610	NEEDLE PACKING CARTRIDGE		36.00
3-5	93008640	SPRAY GUN UNIT SEAL		22.00
3-6	96365043	HEX SOCKET HEAD BOLT		13.00
4	93008650	PISTON SET		170.00
4-1	93903440	PISTON PACKING SET	2 pcs./1 pk.	20.00
4-2	96631005	O RING		3.00
4-3	93008670	AIR VALVE		55.00
5	93514580	NEEDLE SPRING		6.00
6	93513580	PISTON SPRING		6.00
7	93565630	FLUID ADJUSTMENT SET		146.00
7-1	96666015	BALL		21.00
7-2	93104420	FLUID ADJUSTMENT SPRING		8.00
8	93010400	FILLER NUT BLOCK		48.00
9	93009680	WING BOLT SET		43.00
10	93009690	WASHER		26.00
11	93009620	PATTERN ADJ. SET		24.00
13	93009580	TURN SHAFT WASHER		12.00
14	W3COM2051	RETAINING RING		1.00
15	93009640	MANIFOLD SEAL		23.00



TECHNICAL



WA-1218 WA-0915 WA-0609					
WA-1218	0.6	3.0/ 43.5	17	2.6	48
WA-0915	0.5		9	1.9	36
WA-0609	0.5		6	1.7	32

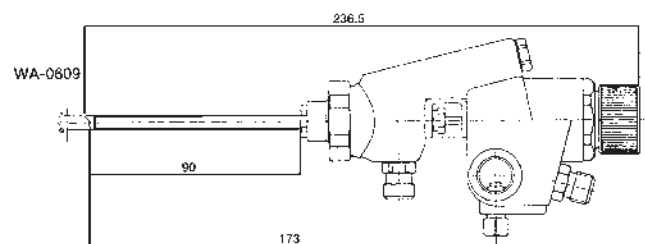
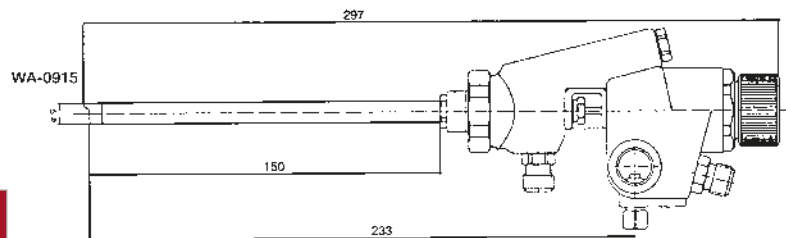
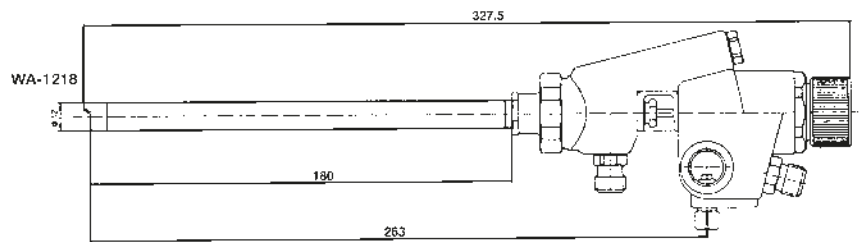
Air Nipple: G1/4" • Fluid Nipple: G1/4"



WA-1218

ORDER Information - WA-1218 | WA-0915 | WA-0609

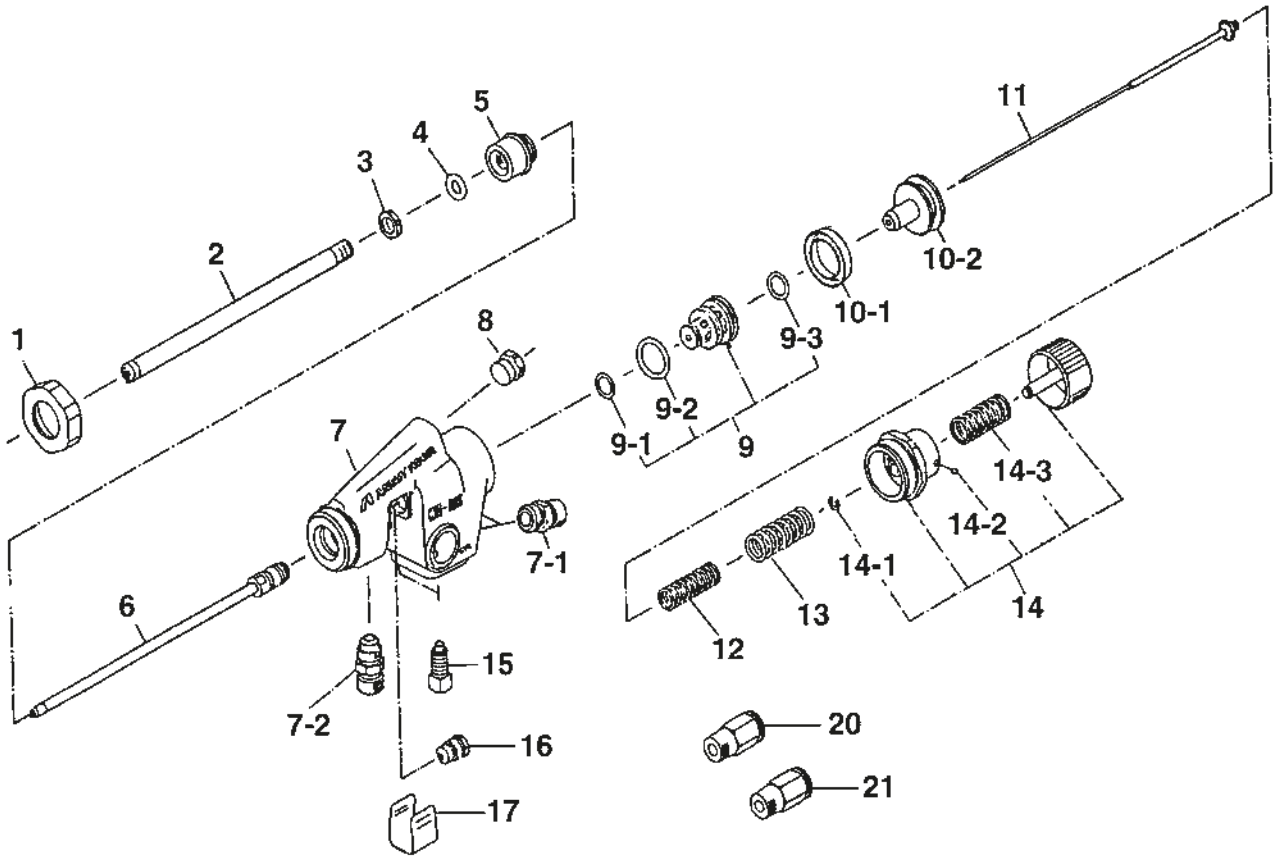
Models	WA-1218	WA-0915	WA-0609	Ref.	\$
	Ø 0.6	Ø 0.5	Ø 0.5		
AUTOMATIC SPRAY GUN	5443	5444	5445	-	792.00
AIR PIPE SET	93839620	93842620	-	2	163.00
AIR PIPE SET	-	-	93845620	2	159.00
FLUID PIPE SET	93840620	93843620	-	6	163.00
FLUID PIPE SET	-	-	93846620	6	159.00
FLUID NEEDLE SET	93841620	-	93847620	11	136.00
FLUID NEEDLE SET	-	93844620	-	11	136.00



Dimensions

	Pipe length mm	Pipe diameter Ø mm
WA-1218	180	12
WA-0915	150	9
WA-0609	90	6





SPARE PARTS

Ref.	Code	Description		\$
1	93850620	COVER		66.00
3	93543620	HEX. NUT	WA-0915	26.00
3	03550620	HEX. NUT	WA-0609	26.00
3	03535620	HEX. NUT	WA-1218	28.00
4	06637609	O RING	WA-0915	10.00
4	06637696	O RING	WA-0609	11.00
4	06637612	O RING	WA-1218	11.00
5	03545620	AIR PIPE SEAT	WA-0915	66.00
5	03552620	AIR PIPE SEAT	WA-0609	66.00
5	03538620	AIR PIPE SEAT	WA-1218	66.00
7-1	03502620	AIR NIPPLE	G 1/4"	14.00
7-2	03584530	FLUID NIPPLE	G 1/4" - 1/4"	16.00
7-2	03515600S	SPECIAL FLUID NIPPLE (AISI 303)	G 1/4" - G 3/8"	18.00
8	93625370	BLANK SCREW		19.00
9	03805620	AIR VALVE SEAT SET		63.00
9-1, 9-2, 9-3	03849620	O RING SET		14.00

Ref.	Code	Description		\$
10-1	03903440	PISTON PACKING SET	2 pcs./1 pk.	20.00
10-2	03511580	PISTON		36.00
12	03514580	NEEDLE SPRING		6.00
13	03513580	PISTON SPRING		6.00
14	93840581	FLUID ADJUSTMENT SET		133.00
14-1	03912030	E STOPPER	2 pcs./1 pk.	4.00
14-2	03914730	BALL	2 pcs./1 pk.	4.00
14-3	03104420	FLUID ADJ. SPRING		8.00
15	03811580	BOLT SET		21.00
16	93765610	NEEDLE PACKING CARTRIDGE		36.00
17	93522581	COVER		14.00
	96990600	BRUSH		4.00
20	06801162	HALF UNION ø INNER 6 mm		20.00
21	06801182	HALF UNION ø INNER 8 mm		20.00
	93834580	AIR VALVE SEAT AXIS TOOL		203.00



TOF-5B | TOF-5RB | TOF-6B | TOF-6RB



FEATURES

SPECIFICS TO ATOMIZE LIQUIDS

- Designed to atomize liquids such as water, oil, ink, adhesives, air fresheners and other chemicals

TECHNICAL

	Ø mm	No.	bar/psi	ml/min	CFM	CFM	mm	mm
TOF-5B TOF-5RB TOF-6B TOF-6RB					FAN	ROUND	FAN	ROUND
TOF-5B/5RB TOF-6B/6RB	0.5	05	3.0/43.5	60	2.1	1.4	200	50
TOF-5B/5RB TOF-6B/6RB	1.0	10		250	2.8	1.8	250	70
TOF-5B/5RB TOF-6B/6RB	1.3	13		360	3.5	1.9	350	80
TOF-5B/5RB TOF-6B/6RB	2.0	20		600	4.9	3.0	400	90

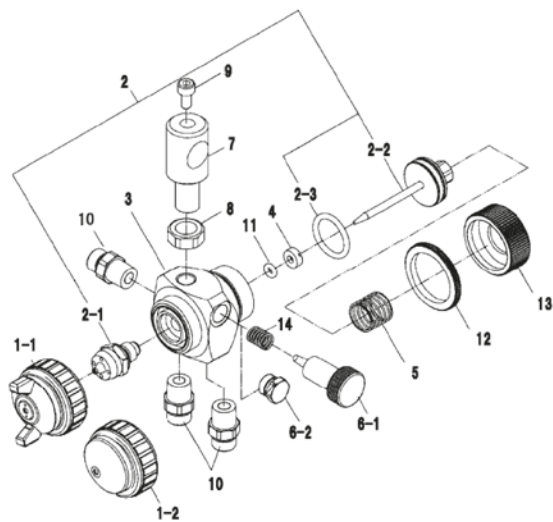
Air Nipple: G 1/8" • Fluid Nipple: G 1/8"

ORDER Information - TOF-5B | TOF-5RB | TOF-6B | TOF-6RB

	Ø 0.5	Ø 1.0	Ø 1.3	Ø 2.0	Ref.	\$
TOF-5B	5450B	5451B	5452B	5453B	-	362.00
TOF-5RB	5455B	5456B	5457B	5458B	-	362.00
TOF-6B	5460B	5461B	5462B	5463B	-	394.00
TOF-6RB	5465B	5466B	5467B	5468B	-	394.00
NOZZLE + PISTON SET	93002800	93002710	93002600	93002750	2	104.00
AIR CAP SET TOF-5B/6B	93031982	93038982	93001982	93047982	1	70.00
AIR CAP SET TOF-5RB/6RB	93061982	93063982	93055982	93065982	1-2	74.00

ORDER Information - TOF-5 | TOF-5R | TOF-6 | TOF-6R - Spare Interchangeables

	Ø 0.5	Ø 1.0	Ø 1.3	Ø 2.0	Ref.	Interchangeable B VERSION	\$
NOZZLE + PISTON SET	93033980	93041980	93006980	93049980	2	NOT INTERCHANGEABLE	104.00
AIR CAP SET TOF-5/TOF-6	93031980	93038980	93001980	93047980	1	INTERCHANGEABLE	70.00
AIR CAP SET TOF-5R/-6R	93061980	93063980	93055980	93065980	1-2		74.00



SPARE PARTS (VERSION B)

Ref.	Code	Description	\$
2-3	93903980	O-RING (2 pcs./1 pk.)	5.00
4	93015980	O-RING SEAT	8.00
5	93195980	PISTON SPRING	8.00
6-1	93002650	PATTERN ADJ. SET	32.00
6-1	93057980	PLUG	15.00
7	93002671	HOLDER	26.00
8	93213981	HEXAGON NUT	9.00
9	96350612	BOLT	3.00
10	93023980	NIPPLE	14.00
11	96997085	O-RING	12.00
12	93024980	JAM NUT	18.00
13	93002680	FLUID ADJ. KNOB	24.00
14	93002660	SPRING	8.00

SPARE PARTS

(PREVIOUS VERSION - NOT SHOWN)

Ref.	Code	Description	\$
6-1	93016980	PATTERN ADJUSTMENT SET	32.00
7	93021981	HOLDER	26.00
9	96365060	BOLT	5.00
12	93024980	JAM NUT	18.00
13	93025980	FLUID ADJ. KNOB	24.00
14	93028980	NUT	10.00
15	93030980	JOINT	11.00





TECHNICAL

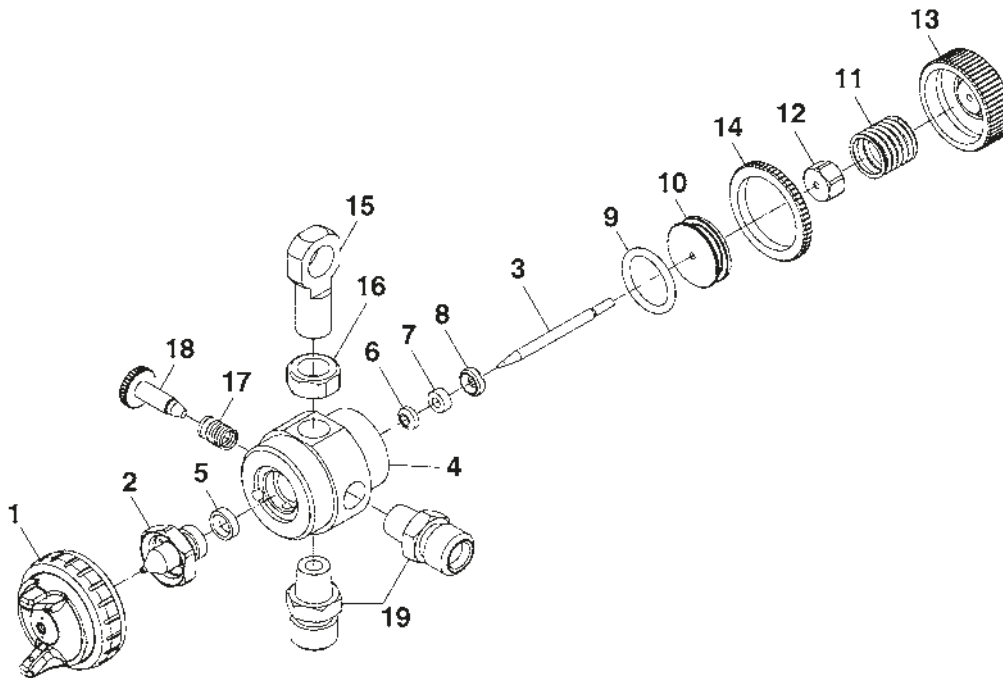


SGA-101						
SGA-101	1.0	E1	3.0/43.5	95	2.8	250

Air Nipple: G1/4" • Fluid Nipple: G1/4"

ORDER INFORMATION - SGA-101

Code	Description	\$
5442B	SGA-101 AUTOMATIC SPRAY GUN	331.00



SPARE PARTS

Ref.	Code	Description	\$
1	93689610	AIR CAP - E1	82.00
2	93044980	FLUID NOZZLE	99.00
3	93060980	FLUID NEEDLE	14.00
5	93902980	PACKING SET	2 pcs./1 pk. 20.00
6-7	93900981	FLUID NEEDLE PACKING SET	17.00
8	93093160	NEEDLE PACKING SEAT	11.00
9	93903980	O RING SET	2 pcs./1 pk. 5.00
10	93220980	PISTON	15.00
11	93223980	SPRING	10.00

Ref.	Code	Description	\$
12	93091980	NUT	8.00
13	93105981	FLUID ADJ. KNOB	34.00
14	93024980	JAM NUT	18.00
15	93240981	BOLT	21.00
16	93213981	HEXAGON NUT	9.00
17	93248980	SPRING	8.00
18	93120981	SPREAD ADJUST VALVE	14.00
19	94013152	JOINT	19.00

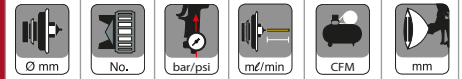


COG-A200 | COG-R200



COG-A200

TECHNICAL



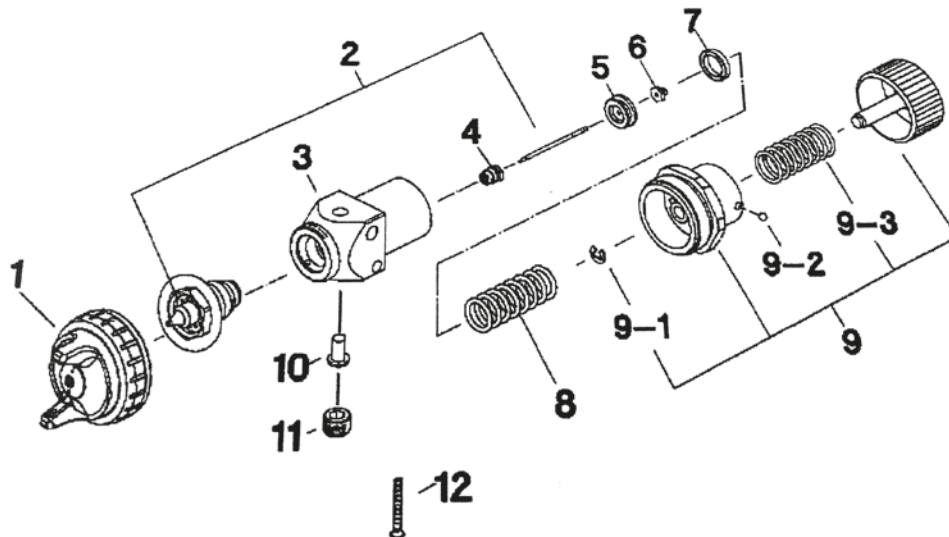
COG-A200						
COG-A200-12	1.2	COG-200	2.9/42	150	13.2	265
COG-A200-18	1.8			250		390
COG-R200						
COG-R200-12	1.2	COG-200	2.9/42	150	9.8	265
COG-R200-18	1.8			2/29		250

ORDER Information - COG-A200

	ø 1.2	ø 1.8	\$
AUTOMATIC SPRAY GUN	7602	7603	870.00
NOZZLE + NEEDLE SET	9COG-A200-12-20	9COG-A200-18-20	407.00
AIR CAP SET	9COG-200-18-10		192.00

ORDER Information - COG-R200

	ø 1.2	ø 1.8	\$
AUTOMATIC SPRAY GUN	7604	7605	1,300.00
NOZZLE + NEEDLE SET	9COG-R200-12-20	9COG-R200-18-20	407.00
AIR CAP SET	9COG-200-18-10		192.00

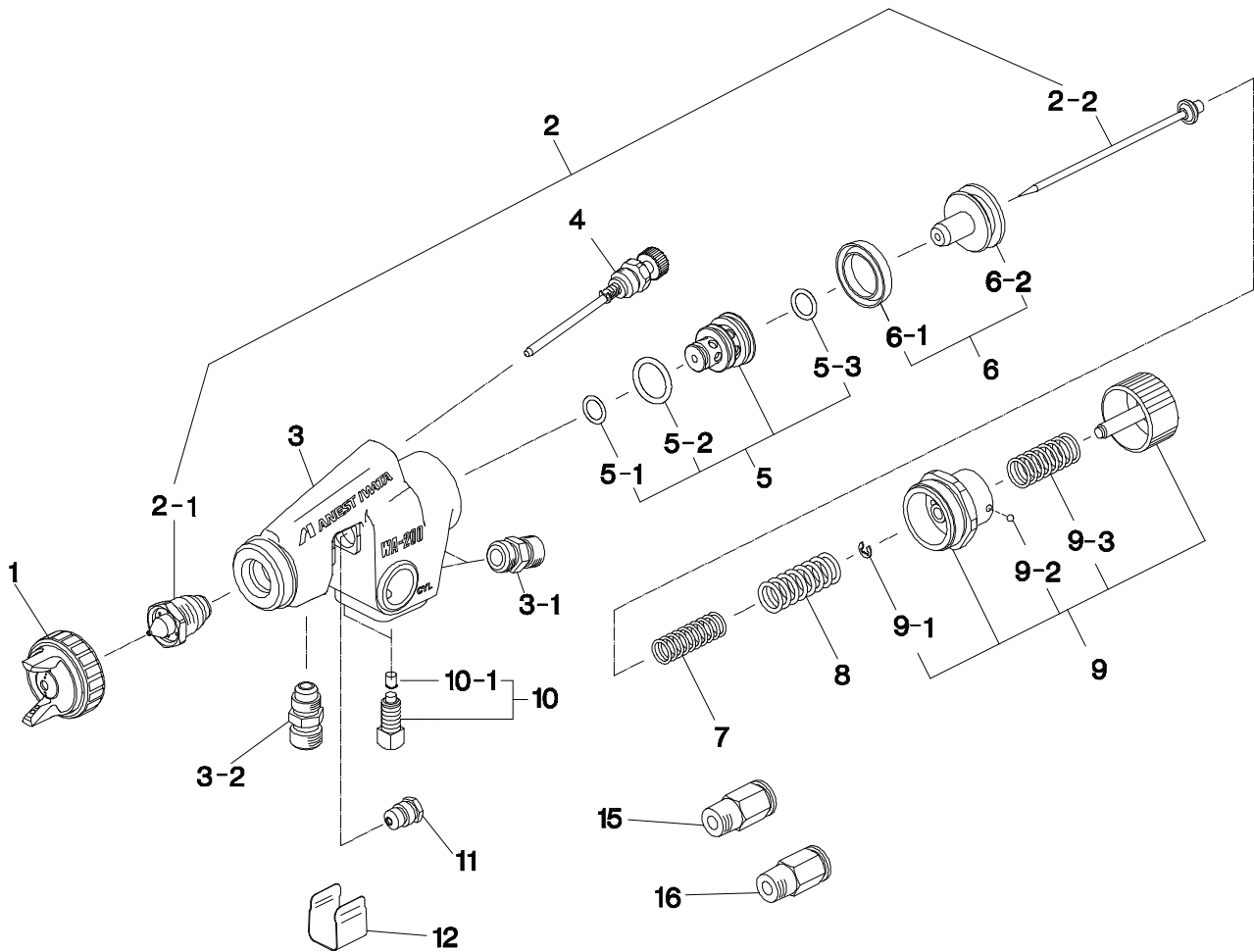


SPARE PARTS COG-R200

Ref.	Code	Description	\$
1	9COG-200-18-10	COG-200 AIR CAP ASSY	192.00
2	9COG-R200-12-20	COG-R200 NOZZLE/NEEDLE ASSY 1.2	407.00
2	9COG-R200-18-20	COG-R200 NOZZLE/NEEDLE ASSY 1.8	407.00
4	93847580	NEEDLE PACKING SET	113.00
5	93629570	PISTON	55.00
6	93455230	NUT	16.00
7	93903440	PISTON PACKING (PACK OF 2)	20.00

Ref.	Code	Description	\$
9	93840581	FLUID ADJUST SET W/ RATCHET	133.00
9-1	93912030	E STOPPER (PACK OF 2)	4.00
9-2	93914730	STEEL BALL (PACK OF 2)	4.00
9-3	93104420	FLUID ADJUST SPRING	8.00
10	93526620	PLUG	33.00
11	96990440	PLUG	17.00
12	96172529	SCREW	3.00





SPARE PARTS COG-A200

Ref.	Code	Description	\$
1	9COG-200-18-10	COG-200 AIR CAP ASSY	192.00
2	9COG-A200-12-20	COG-A200 NOZZLE/NEEDLE ASSY 1.2	407.00
2	9COG-A200-18-20	COG-A200 NOZZLE/NEEDLE ASSY 1.8	407.00
3-1	93502620	AIR NIPPLE	14.00
3-2	93515600	FLUID NIPPLE	17.00
4	93812621	SPREAD ADJUST SET	35.00
5	93805620	AIR VALVE SEAT SET	63.00
6-1	93903440	PISTON PACKING (PACK OF 2)	20.00
6-2	93511580	PISTON	36.00
7	93514580	NEEDLE SPRING	6.00
8	93513580	PISTON SPRING	6.00
9	93840581	FLUID ADJUST SET W/ RATCHET	133.00
9-1	93912030	E STOPPER (PACK OF 2)	4.00

Ref.	Code	Description	\$
9-2	93914730	STEEL BALL (PACK OF 2)	4.00
9-3	93104420	FLUID ADJUST SPRING	8.00
10	93811580	BOLT SET (PACK OF 2)	21.00
10-1	93810580	BOLT CAP (PACK OF 2)	14.00
11	93765610	NEEDLE PACKING SET	36.00
12	93522581	COVER	14.00
15	96801162	HALF UNION	20.00
16	96801182	HALF UNION	20.00
	93849620	O RING SET	14.00
	93834580	AIR VALVE SEAT AXIS	203.00
	9COG-A200-12-50	COG-A200-12 CONVERSION ASSY	697.00
	9COG-A200-18-50	COG-A200-18 CONVERSION ASSY	697.00



