

Rotary Evaporator

Contents

Rotary Evaporator Overview ----- Page 66

Basic & Economical

RE200 Series ----- Page 67

RE301 Series ----- Page 69

Highly Functional & Programmable

RE601/801 Series ----- Page 71

Ref: DTC Series Vacuum Pump ----- Page 74

ROTARY EVAPORATOR OVERVIEW



RE200/210

- Manual lift with analog control
- Option for 3 different types of glassware
- Option for either a 4L or 7L capacity water bath
- Option for 7L capacity oil bath
- Optional arm jack permits setting flexibility



RE301

- Easy manual operation
- Digitally set and displayed motor speed (rpm)
- Equipped with motorized lift to easily raise or lower unit
- Option for 3 different types of glassware
- Universal power supply for main unit: works with 100~240VAC
- Option for 4L water or oil bath at 115~240VAC



RE601

- Programmable
- Digital setting and display for motor speed (rpm), vacuum control and vapor temperature
- Equipped with vacuum regulator and vapor temperature indicator
- Equipped with motorized lift to easily raise or lower unit
- Option for 3 different types of glassware
- Universal power supply for main unit: works with 100~240VAC
- Option for 4L water or oil bath at 115~240VAC



RE801

- Programmable
- Bath synchronized control
- Automatic distillation and 53 solvent presets
- Digital setting and display for motor speed (rpm), vacuum control and vapor temperature
- Equipped with vacuum regulator and vapor temperature indicator
- Equipped with motorized lift to easily raise or lower unit
- Option for 3 different types of glassware
- Universal power supply for main unit: works with 100~240VAC
- Option for 4L water or oil bath at 115~240VAC

Rotary Evaporator

Manual lift with analog control

RE200/210

Evaporating /
receiving flask

1L(Standard)

Rotation speed
control range

20~180rpm

Water bath temp. range

Room Temperature+5 to 95°C



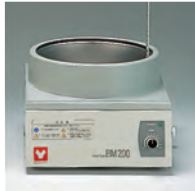
RE-200-200A with optional arm jack (Glassware A)

RE-200-200B with optional arm jack (Glassware B)

RE-200-200C with optional arm jack (Glassware C)

Features

- Speed can be changed freely with the control knob
- Option for either a 4L or 7L capacity water bath
- Rotary joint's locking position feature adjustable (patent No. 3220033)
- Evaporation flasks are easily removable with built in flask remover
- Optional arm jack permits setting flexibility



Specifications

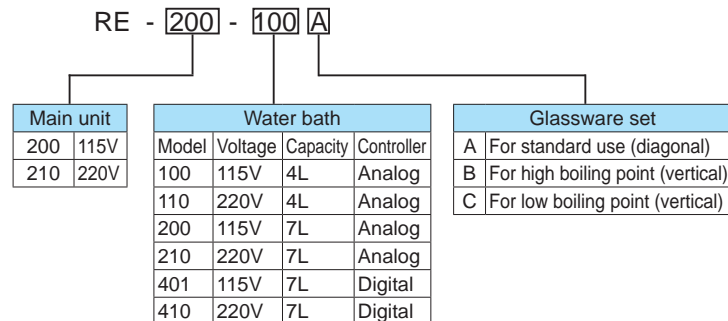
Model	RE200	RE210
Rotational number control range	20~180rpm	
Drive system	Worm gear system	
Motor	Induction motor, 25W	
Ambient temperature range	5~35°C	
External dimensions(WxDxHmm)	420x290x837	
Weight	~ 11 kg	
Power source 50/60Hz	AC 115V 50/60Hz 0.6A	AC 220V 50/60Hz 0.3A

Set Selection Chart

Model	Glassware			Water Bath		
	A	B	C	BM100	BM200	BM401
RE-200-100-A	●			●		
RE-200-100-B		●		●		
RE-200-100-C			●	●		
RE-200-200-A	●				●	
RE-200-200-B		●			●	
RE-200-200-C			●		●	
RE-200-401-A	●					●
RE-200-401-B		●				●
RE-200-401-C			●			●

Model	Glassware			Water Bath		
	A	B	C	BM110	BM210	BM410
RE-210-110-A	●			●		
RE-210-110-B		●		●		
RE-210-110-C			●	●		
RE-210-210-A	●				●	
RE-210-210-B		●			●	
RE-210-210-C			●		●	
RE-210-410-A	●					●
RE-210-410-B		●				●
RE-210-410-C			●			●

Set Guide



Operational Accessories

Glassware Set

Product code	Set
RE-200-183	Set A (use with cooling water) The Standard glass set where condenser is tilted diagonally, suitable for standard distillation
RE-200-184	Set B (use with cooling water) The condenser is set vertical, suitable for distillation of solvent with higher boiling points. When space is limited, the use of a vertical condenser set up is recommended
RE-200-185	Set C (use with dry ice) The cold finger glass condenser is set vertically, suitable for distillation of volatile or low boiling point solvents. When space is limited, the use of a vertical condenser set up is recommended

Bath Specifications



Model	BM100	BM110	BM200	BM210	BM401	BM410	BO601
Type	Water bath						Oil bath
Temp. control range during operation	RT +5°C~95°C						RT+5°C~180°C
Temp. setting range	0°C~100°C						0°C~200°C
Temp. display method	Glass thermometer				Digital display shows measured / set temperature		
Set up system	Analog setting				Digital setting by ▲/▼ keys		
Bath capacity	4L		7L				
Bath dimension	ø200 x Depth120 mm		ø250 x Depth150 mm				
Weight	~3.5kg		~6.0kg		~7.0kg		~8.0kg
Power source 50/60Hz	115V 4.5A	220V 2.3A	115V 9A	220V 4.5A	115V 11A	220V 5.2A	115V/220V

Optional Accessories

Glassware



Evaporating flask

Product code	Size	Capacity
25527324	24/40	2L
25527334	24/40	500ml
25527344	24/40	300ml
25527354	24/40	200ml
25527364	24/40	100ml



Receiving flask

Product code	Size	Capacity
LT00016210	35/20	2L
LT00016180	35/20	500ml
LT00016209	35/20	300ml
LT00016208	35/20	200ml
LT00016207	35/20	100ml



Trap ball

Product code	Description
LG1910270055	TS 24/40-24/40



Steam duct / Rotary joint

Product code	Description
RG00A30011 (24/40)	With o-ring and nut

Armjack



Product code	Rod O.D.
255080	21.7mm

Organic Solvent Recovery Unit



Model	RT200
Condenser	Hard glass
Solvent collecting flask	500mL hard glass S35/20
Flask clamp	For 35mm
Outer covering	Print coating finish made from cold rolling steel sheet
Door	Acrylic door
IN/OUT nipple connected to a cooling water hose	Outer diameter: 9mm
IN/OUT nipple connected to a vacuum water hose	Outer diameter: 6mm
External diameter	W260*D400*H428mm

RT200 extracts organic solvent substances from gas generated by the rotary evaporator during concentration work, and prevents the discharge of dangerous substances

Cooling Water Circulator (Chiller)



Model	CF301
Operating temp. range	-20°C~Room temp.
Temp. control accuracy	±2°C
Cooling capacity	~450W(387Kcal/h)at Liquid temp. 10°C ~360W(309Kcal/h)at Liquid temp. 0°C ~270W(232Kcal/h)at Liquid temp. -10°C
Temp. control	Refrigerator On/Off Control
Refrigerator, coolant	Air cooling 450W, R404A
Water bath dimension	151 x 151 x 177
Water capacity	~4L (Liquid amount 3L)
Power source	AC115V ~ AC220V
Weight	~50kg

CF301 keeps water in the condenser at a stable low temperature which increases evaporation rate and maximizes solvent collection. Use with glassware A or B

Vacuum Pump



Model	DTC-22A	DTC-22B
Discharge rate	50Hz 60Hz	20L/min 24L/min
Ultimate pressure	1.0x10 ³ Pa (7.5 Torr)	
Motor	AC115, Single phase 50W, 4P, with condenser-run thermal protection relay (automatic reset)	AC220, Single phase 50W, 4P, with condenser-run thermal protection relay (automatic reset)
Rated current	1.20/1.32A (50/60Hz)	0.60/0.72A (50/60Hz)
Speed	1260/1580rpm	1275/1570rpm
Inlet and outlet piping	O.D.ø10 x I.D.ø6 (G1/4)	
Weight	7.1kg	
Air temperature	0~40°C	
Overall dimensions	W142 x L272 x H202 mm	
Product code	DTC22A115RERKIT	DTC22B220RERKIT
Components	DTC-22A Dry Vacuum Pump, 5' of 8mm ID Rubber Hose, Hose Clamp	DTC-22A Dry Vacuum Pump, 5' of 8mm ID Rubber Hose, Hose Clamp

Vacuum Regulator



Model	VR100
Setting range of vacuum	1~1,013hPa
Grading pressure setting range	66~600 hPa
Grading time setting range	1~99hrs.59mins.
Display	Digital setting by ▲/▼ keys
Control mode	Fixed value control, ramp control
Output	For vacuum, leak valve
Hose connector	Nozzle O.D.ø9.5mm
Dimension, weight	W155*D190*H145mm, ~3.5kg
Power supply	AC100V 50/60Hz 1A External transformer required

Rotary Evaporator

Basic with motorized lift and digital setting

RE301

Evaporating/Receiving flask 1L(Standard)

Rotation speed 20~250rpm

Temperature range Water Bath Room temperature +5~90°C Oil Bath Room temperature +10~180°C



- One touch electric lift for easy up and down movement
- The evaporator's motor speed (rpm) is digitally set and displayed
- Unique durable vacuum seal suitable up to 2L flasks
- Stable rotation at low and high speeds
- Equipped with lift up switch in case of power outage
- Removable bath for easy cleaning and water replacement, with the option for water or oil bath
- Compact design fits into any fume hood
- Universal power supply: works with 100-240VAC

Features



● **Adjustable Rotary Joint**
The rotary joint's locking position feature is adjustable up to 80 mm. Useful when using evaporating flasks with varying capacities or when there is a need to shift the vacuum seal's contact position. (Patent No. 3220033)



● **Quick Release of Evaporating Flask**
The evaporating flask can be released easily and quickly by turning the flask release nut.



● **Motorized Lift**
Standard for all models and can be easily raised or lowered by a simple switch operation



● **Glass Condenser**
Unique designed glass condenser to prevent liquid stagnation and backflow and increase cooling capacity with a 20% larger surface area to enable faster distillation. (Patent No. 4597021)

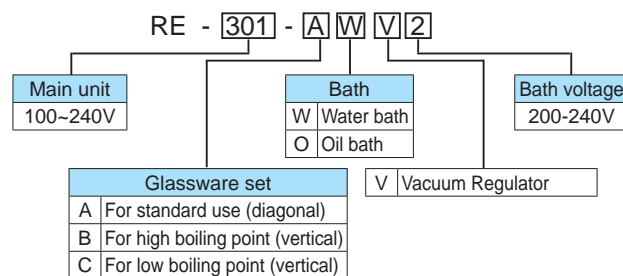


● **Control Panel**
Rotation speed knob with digital display indication

Specifications

Model		RE301
Motor		DC brushless motor
Rotation speed		20~250 (rpm)
Lift stroke		130mm
Rotational speed setting		Control knob (digital indication)
Safety function (main unit)		Manual-setting lower limit, motor overload
Lifting feature		Motorized lifting system
External dimension	With Glassware A (mm)	828(W)× 400(D)×586(H) (716 when raised)
	With Glassware B/C (mm)	643(W)× 400(D)×727(H) (857 when raised)
Weight		~14.1kg (excluding glassware and water/oil bath)
Power supply Main unit(50/60Hz)		AC100~240V 1.5A(excluding water/oil bath)

Set Guide



Set Selection Chart

Model	Glassware			Bath (100-120V AC)		Bath (200-240V AC)		Vacuum regulator
	A	B	C	Water bath	Oil bath	Water bath	Oil bath	
RE-301-AW	●			●				
RE-301-AW2	●					●		
RE-301-AO	●				●			
RE-301-AO2	●						●	
RE-301-AWV	●			●				●
RE-301-AWV2	●					●		●
RE-301-AOV	●				●			●
RE-301-AOV2	●						●	●
RE-301-BW		●		●				
RE-301-BW2		●				●		
RE-301-BO		●			●			
RE-301-BO2		●					●	
RE-301-BWV		●		●				●
RE-301-BWV2		●				●		●
RE-301-BOV		●			●			●
RE-301-BOV2		●					●	●
RE-301-CW			●	●				
RE-301-CW2			●			●		
RE-301-CO			●		●			
RE-301-CO2			●				●	
RE-301-CWV			●	●				●
RE-301-CWV2			●			●		●
RE-301-COV			●		●			●
RE-301-COV2			●				●	●

Operational Accessories

Glassware Set

Product code	Set
255291	Set A (use with cooling water) The Standard glass set where condenser is diagonally, suitable for standard distillation.
255292	Set B (use with cooling water) The condenser is set vertical, suitable for distillation of solvent with higher boiling points. When space is limited, the use of a vertical condenser set up is recommended.
255293	Set C (use with dry ice) The cold finger glass condenser is set vertically, suitable for distillation of volatile or low boiling point solvents. When space is limited, the use of a vertical condenser set up is recommended.

Bath Specifications



BM500
The electric kettle style tank can be removed freely

Product name	Water bath		Oil bath	
Model	BM500	BM510	BO400	BO410
Temp. control range	RT +5°C~90°C		RT +10°C~180°C	
Temp. setting range	0~100°C		0~180°C	
Temp. adjustment accuracy	±1.5°C (at agitation)		±2°C (at agitation)	
Temp. control system	PID control with microprocessor			
Temp. setting / display system	Digital setting by ▲/▼ keys			
Bath capacity	~4L			
External dimensions	W340 x D349 x H231 mm			
Weight	~5.5kg			
Power supply	AC100~120V 10.5~12.5A	AC200~240V 5.5~6.5A	AC100~120V 10.5~12.5A	AC200~240V 5.5~6.5A

Optional Accessories

Glassware



Evaporating flask

Product code	Size	Capacity
LT00016206	29/42	2L
LT00016205	29/42	500ml
LT00016204	29/42	300ml
LT00016203	29/42	200ml
LT00016202	29/42	100ml



Receiving flask

Product code	Size	Capacity
LT00016210	35/20	2L
LT00016180	35/20	500ml
LT00016209	35/20	300ml
LT00016208	35/20	200ml
LT00016207	35/20	100ml



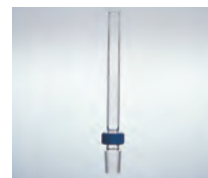
Joint

Product code	Description
RE200GT010	TS 29/42- 24/40
RE200GT012	TS 29/42- 29/42



Trap ball

Product code	Description
RE200GT002	TS 29/42- 29/42
RE200GT003	TS 29/42- 24/40



Steam Duct / Rotary Joint

Product code	Description
LT00016211ASSY (29/42)	with o-ring and nut

Organic Solvent Recovery Unit



Model	RT200	
Condenser	Hard glass	
Solvent collecting flask	500mL hard glass S35/20	
Flask clamp	For 35mm	
Outer covering	Print coating finish made from cold rolling steel sheet	
Door	Acrylic door	
IN/OUT nipple connected to a cooling water hose	Outer diameter: 9mm	
IN/OUT nipple connected to a vacuum water hose	Outer diameter: 6mm	
External diameter	W260*D400*H428mm	

RT200 extracts organic solvent substances from gas generated by the rotary evaporator during concentration work and prevents the discharge of dangerous substances

Vacuum Pump



Model	DTC-22A	DTC-22B
Discharge rate	50Hz: 20L/min, 60Hz: 24L/min	
Ultimate pressure	1.0x10 ³ Pa	
Motor	AC115, Single phase	AC220, Single phase
	50W, 4P, with condenser-run thermal protection relay (automatic reset)	
Rated current	1.20/1.32A (50/60Hz)	0.60/0.72A (50/60Hz)
Speed	1260/1580rpm	1275/1570rpm
Inlet and outlet piping	O.D. Φ10 x I.D. Φ6 (G1/4)	
Weight	7.1kg	
Air temperature	0~40°C	
Overall dimensions	W142 x L272 x H202 mm	
Product code	DTC22A115RERKIT	DTC22B220RERKIT
Components	DTC-22A Dry Vacuum Pump, 5' of 8mm ID Rubber Hose, Hose Clamp	DTC-22A Dry Vacuum Pump, 5' of 8mm ID Rubber Hose, Hose Clamp

Cooling Water Circulator (Chiller)



Model	CF301
Operating temp. range	-20°C~Room temp.
Temp. control accuracy	±2°C
Cooling capacity	~450W(387Kcal/h)at Liquid temp. 10°C ~360W(309Kcal/h)at Liquid temp. 0°C ~270W(232Kcal/h)at Liquid temp. -10°C
Temp. control	Refrigerator On/Off Control
Refrigerator, coolant	Air cooling 450W, R404A
Water bath dimension	151 x 151 x 177
Water capacity	~4L (Liquid amount 3L)
Power source	AC100 ~ AC240
Weight	~50kg

CF301 keeps water in the condenser at a stable low temperature which increases evaporation rate and maximizes solvent collection. Use with glassware A or B

Vacuum Regulator



Model	VR300
Setting range of vacuum	0~981hPa
Measurable range of vacuum	0~1033hPa
Resolution of vacuum	1hPa
Setting range of hysteresis	1~50hPa
Operation modes	Free, fixed temperature, fixed temperature timer, descending and descending timer
Setting range of timer	Fixed operation 1~999min Descending operation 1~99min
Safety features	Self-diagnosis, alarm

Rotary Evaporator

Highly Functional & Programmable

RE601 / 801

Evaporating/
receiving flask 1L(Standard)

Rotation speed 20~250rpm

Water / Oil bath temp. range

Water Bath
Room temperature +5~90°C

Oil Bath
Room temperature +10~180°C

Highly functional type

Standard equipped with motorized lift, vacuum regulator, vapor temperature display functions



Highly functional type with automatic distillation

Standard equipped with motorized lift, vacuum regulator, vapor temperature display and automatic distillation function



Common features of RE601 and RE801

- One touch electric lift for easy up and down movement
- Digital setting and display for motor speed (rpm), vacuum and vapor temperature
- Stable rotation at low and high speeds
- Unique durable vacuum seal suitable up to 2L flasks
- One touch operation for displaying and saving operating conditions
- Equipped with lift-up switch in the event of power outage
- Compact, fits into any fume hood
- Universal power supply: works with 100-240VAC

Unique features of RE801

- Automatic distillation
- Continuous bath control
- Data on 53 solvents installed as default

Features

● Adjustable Rotary Joint



The rotary joint's locking position feature is adjustable up to 80 mm: useful when using evaporating flasks with varying capacities or when there is a need to shift the vacuum seal's contact position. (Patent No. 3220033)

● Quick Release of Evaporating Flask



The evaporating flask can be released easily and quickly by turning the flask release nut.

● Glass Condenser (prevents liquid stagnation)



The vertical condenser prevents liquid from stagnating. New condenser tubes (type A&B) are designed to increase cooling capacity with a 20% larger surface area. (Patent No. 4597021)

● Control Panel



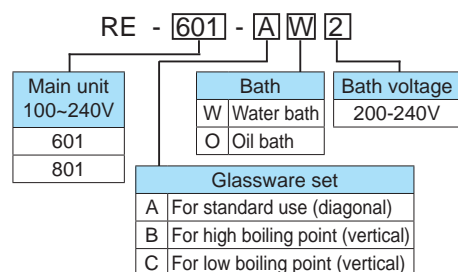
Rotation speed knob with digital display and a programmable vacuum regulator.

Specifications

Model	RE-601	RE801
Motor	DC brushless motor (for rotation)	
Controller	Vacuum regulator VR600	Vacuum regulator VR800
Rotation speed	20~250 (rpm)	
Lift stroke	130mm	
Setting range of vacuum	0~981hPa	
Measurable range of vacuum	0~1033hPa	
Resolution of vacuum	1hPa	
Setting range of hysteresis	1~50hPa	
Resolution of vapor temperature indicator	Selectable (either 1°C or 0.1°C)	
Readout of cooling water temperature	Depending on indicator (option)	
Resolution of cooling water temperature indicator	1°C or 0.1°C	
Operation modes	Free, fixed temperature, fixed temperature timer, descending, and descending timer	Free, fixed temperature, fixed temperature timer, descending, and descending timer, auto I (auto operation with continuous drying), and auto II (auto operation for distillation of single solvent)
Setting range of timer	1-999 minutes in increments/decrements of 1 minute for preset operations, 1-99 minutes for descending timer operations	
Memory	10 programs for each operation	
Data operation	N/A	53 kinds of solvent data
Speed (rpm) setting	Rotation: Control knob Vacuum adjustment: Key pad	
Safety measures (drive unit)	Circuit breaker, rotor for overload protection, manual adjustment of lift's lower limit, lift-up switch during power outage	
Safety measures (vacuum regulator)	Self-diagnostic functions, main unit / bath synchronized stop at malfunction, error display	
Synchronized control feature	Selection of automatic bath stop or automatic insulation	
Lifting feature	One-touch motorized lift system	
External dimension*	With Glassware A (mm)	828(W)× 400(D)×727(H) (857(H)when raised)
	With Glassware B/C (mm)	643(W)× 400(D)×727(H) (857(H)when raised)
Weight	~15.1kg (excluding the glassware and the water/oil bath)	
Power supply	Main unit (50/60Hz)	AC100~240V 1.5A

*External dimensions (excluding protrusions).

Set Guide



Set Selection Chart

Model	Glass-ware			Bath (100-120V)		Bath (200-240V)	
	A	B	C	Water bath	Oil bath	Water bath	Oil bath
				BM500	BO400	BM510	BO410
RE-601-AW	●			●			
RE-601-AW2	●					●	
RE-601-AO	●				●		
RE-601-AO2	●						●
RE-601-BW	●			●			
RE-601-BW2	●					●	
RE-601-BO	●				●		
RE-601-BO2	●						●
RE-601-CW		●		●			
RE-601-CW2		●				●	
RE-601-CO		●			●		
RE-601-CO2		●					●
RE-801-AW	●			●			
RE-801-AW2	●					●	
RE-801-AO	●				●		
RE-801-AO2	●						●
RE-801-BW	●			●			
RE-801-BW2	●					●	
RE-801-BO	●				●		
RE-801-BO2	●						●
RE-801-CW		●		●			
RE-801-CW2		●				●	
RE-801-CO		●			●		
RE-801-CO2		●					●

Operational Accessories

Glassware Set

Product code	Set
255291	Set A (use with cooling water) The Standard glass set where condenser is tilted, suitable for standard distillation.
255292	Set B (use with cooling water) The condenser is set vertical, suitable for distillation of solvent with higher boiling points. When space is limited, the use of a vertical condenser set up is recommended
255293	Set C (use with dry ice) The cold finger glass condenser is set vertically, suitable for distillation of volatile or low boiling point solvents. When space is limited, the use of a vertical condenser set up is recommended

Bath Specifications

Product name	Water bath		Oil bath	
	Model	BM500	BM510	BO400
Temp. control range	RT +5°C~90°C		RT +10°C~180°C	
Temp. setting range	0~100°C		0~180°C	
Temp. adjustment accuracy	±1.5°C (at agitation)		±2°C (at agitation)	
Temp. control system	PID control with microprocessor			
Temp. setting / display system	Digital setting by ▲/▼ keys			
Bath capacity	~4L			
External dimensions	W340 x D349 x H231 mm			
Weight	~5.5kg			
Power supply	AC100~120V 10.5~12.5A	AC200~240V 5.5~6.5A	AC100~120V 10.5~12.5A	AC200~240V 5.5~6.5A



BM500
The electric kettle style tank can be removed freely

Optional Accessories

Glassware



Evaporating flask

Product code	Size	Capacity
LT00016206	29/42	2L
LT00016205	29/42	500ml
LT00016204	29/42	300ml
LT00016203	29/42	200ml
LT00016202	29/42	100ml



Receiving flask

Product code	Size	Capacity
LT00016210	35/20	2L
LT00016180	35/20	500ml
LT00016209	35/20	300ml
LT00016208	35/20	200ml
LT00016207	35/20	100ml



Joint

Product code	Description
RE200GT010	TS 29/42- 24/40
RE200GT012	TS 29/42- 29/42



Trap ball

Product code	Description
RE200GT002	TS 29/42- 29/42
RE200GT003	TS 29/42- 24/40



Steam Duct / Rotary Joint

Product code	Description
LT00016211ASSY (29/42)	with o-ring and nut

Connection method



Optional Standard

Vacuum seal

Product code	Description
RE50040090	Silicone rubber vacuum seal (black) standard
ORE7042000	Teflon vacuum seal ORE70 (red) optional



Hose connection parts and trap

Product code	Description
255284	Hose connection parts ORE30
255285	Trap with nozzle ORE40

Vacuum Pump



Model	DTC-22A	DTC-22B
Discharge rate	50Hz: 20L/min, 60Hz: 24L/min	
Ultimate pressure	1.0x10 ⁻³ Pa	
Motor	AC115V, Single phase	AC220V, Single phase
	50W, 4P, with condenser-run thermal protection relay (automatic reset)	
Rated current	1.20/1.32A (50/60Hz)	0.60/0.72A (50/60Hz)
Speed	1260 / 1580rpm	1275 / 1570rpm
Inlet and outlet piping	O.D.Φ10 x I.D.Φ6 (G1/4)	
Weight	7.1kg	
Air temperature	0~40°C	
Overall dimensions	W142 x L272 x H202 mm	
Product code	DTC22A115RERKIT	DTC22B220RERKIT
Components	DTC-22A Dry Vacuum Pump, 5' of 8mm ID Rubber Hose, Hose Clamp	DTC-22A Dry Vacuum Pump, 5' of 8mm ID Rubber Hose, Hose Clamp

Organic Solvent Recovery Unit



Model	RT200
Condenser	Hard glass
Solvent collecting flask	500mL hard glass S35/20
Flask clamp	For 35mm
Outer covering	Print coating finish made from cold rolling steel sheet
Door	Acrylic door
IN/OUT nipple connected to a cooling water hose	Outer diameter: 9mm
IN/OUT nipple connected to a vacuum water hose	Outer diameter: 6mm
External diameter	W260 x D400 x H428mm

RT200 extracts organic solvent substances from gas generated by the rotary evaporator during concentration work, and prevents the discharge of dangerous substances

Cooling Water Circulator (Chiller)



Model	CF301
Operating temp. range	-20°C~Room temp.
Temp. control accuracy	±2°C
Cooling capacity	~450W(387Kcal/h)at Liquid temp. 10°C ~360W(309Kcal/h)at Liquid temp. 0°C ~270W(232Kcal/h)at Liquid temp. -10°C
Temp. control	Refrigerator On/Off Control
Refrigerator, coolant	Air cooling 450W, R404A
Water bath dimension	151 x 151 x 177mm
Water capacity	~4L (Liquid amount 3L)
Power source	AC100 ~ AC240
Weight	~50kg

CF301 keeps water in the condenser at a stable low temperature which increases evaporation rate and maximizes solvent collection. Use with glassware A or B

Complete set with optional accessories



Rotary Evaporator RE601BW
Vacuum pump DTC22
Organic solvent recovery unit RT200
Cooling water circulator CF301
Stand with caster wheel 255282

Space Saving Design



Compact Rotary Evaporator, which can be neatly installed in a Fume Hood. The vertical condenser does not take up much space

Diaphragm Type Dry Vacuum Pumps

DTC-22A/DTC-22B



Anti-Corrosion Type, DTC Series

■ Features

- All contacted parts of the gas are made of PTFE and FPM
- Suitable for pumping out corrosive gas or organic solvent
- High vacuum down to 1000Pa
- Compact

■ Applications

- Rotary evaporator
- Evaporating system
- Vacuum concentrator
- Vacuum filtration
- Exhaust of gas-transfer tube
- Vacuum drying systems
- Laser-gas circulation
- Centrifuge
- Medical/Pharmaceutical equipment
- Analysis/scientific equipment

■ Specifications

Model	Unit	DTC-22A		DTC-22B	
		50Hz	60Hz	50Hz	60Hz
Actual pumping speed	L/min	20		24	
	M ³ H	1.2		1.44	
	CFM	0.71		0.85	
Ultimate pressure	Pa (kPa)	1.0 × 10 ³ (-100.3)			
	Torr	7.50			
	mbar	10.0			
Motor	AC	115V		220V	
		Single phase, 50W, 4P, Capacitor run			
Noise value	dB(A)	54			
Full load current	A	1.2	1.32	0.6	0.72
Weight	kg	7.1			
Inlet port diameter	mm	O.D. dia.10 × I.D. dia.6 (G1/4)			
Ambient temperature	°C	0-40			
	°F	32-104			
Overall dimensions	mm	142(W) × 288.5(L) × 202(H)			

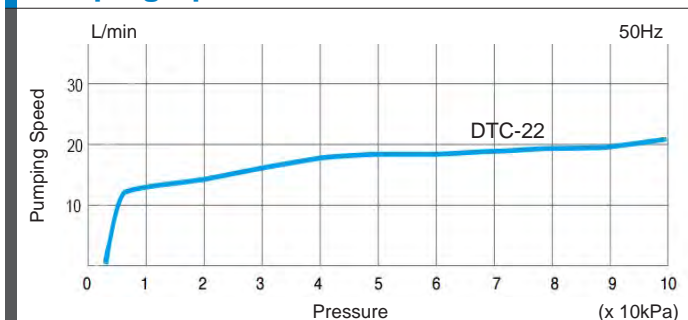
■ Vacuum Pump Guide

Assembly No.	Components	Applicable products
DTC22A115RERKIT (115V)	DTC-22A Dry Vacuum Pump 115V 5' of 8mm ID Rubber Hose Hose Clamp	RE-200/210/301/601/801 Rotary Evaporator
DTC22B220RERKIT (220V)	DTC-22B Dry Vacuum Pump 220V 5' of 8mm ID Rubber Hose Hose Clamp	

■ Corresponding Voltage and Certificate

Model	Voltage	CE Marked	TUV Marked	cTUVus Marked
DTC-22A	Single phase, 115V	●	●	●
DTC-22B	Single phase, 220V	●	●	●

Pumping Speed Curves



Outline Drawings

