

Figure 9 - Exploded view of the EH/QMB1200 common module

Item	Description	Quantity	Item Number	Kit No.(s)
001	Stator (c iron)	1	A30570001	
002	Headplate gear end (c iron)	1	A30551002	
003	Headplate coupling end (c iron)	1	A30551003	
004	Gear cover (c iron)	1	A30570004	
005	Bearing carrier - gear end (stl)	2	A30551016	
006	Bearing carrier - coupling end (stl)	2	A30551017	
007	Throw ring coupling end (stl)	2	A30551018	
008	Throw ring gear end (stl)	2	A30551019	
009	Seal carriers - left hand (stl)	2	A30551020	
010	Seal carriers - right hand (stl)	2	A30551021	
011	Compression ring (stl)	1	A27820008	
012	Shim 0.05mm thick (stl)	A/R	A27165001	
013	Shim 0.10mm thick (stl)	A/R	A27165002	
014	Shim 0.25mm thick (stl)	A/R	A27165003	
015	1/4" BSP plug (stl)	1	A26002019	
016	Ball bearing 6305 (stl)	4		7
017	Inner ring - ir 25 X 30 X 20 (stl)	4		7
018	Filter disc (felt)	A/R		7
019	Dust seal (felt)	4		7
020	Gears (stl)	1pr	A22903005	
021	'Heyco' plug (plast)	3	A25908024	
022	Gear cover baffle (stl)	1	A25970062	
023	Retainer (2 halves) (stl)	2	A25971006	
024	Bearing retainer (stl)	4	A25971007	
025	Sight glass reflector (st stl)	1	A25976001	
026	1/2" BSP plug (stl)	4	A26002021	
027	Rotor (driver) (c iron)	1	A26401018	
028	Rotor (driven) (c iron)	1	A26401019	
029	Thrust ring (stl)	1	A26407005	
030	Thrust ring (stl)	2	A26407007	
031	Locking element 'Ringfeder' (stl)	4prs	A26440002	
032	Evacuation baffle (stl)	2	A25970021	
033	Disc spring K6007 61.5 x 40.5 x 0.7	12	218985236	
034	Clamp ring (stl)	2	A27801002	
035	Cooling coil spacer (stl)	2	A27802003	
036	Sight glass (glass)	1		5,6
037	Sight glass bezel (plast)	1	A25908100	
040	Lipseal 42 x 30 x 8 (PTFE)	4	H02109053	7
041	Oil splasher (stl)	1	A25970018	
042	'O' ring 1.234" i/d x .139" sect (Viton)	2		5,6

Table 10 - EH/QMB1200 common module parts list: sheet 1 of 2

Item	Description	Quantity	Item Number	Kit No.(s)
043	'O' ring 1.046" i/d x .139" sect (Viton)	2		5,6
044	'O' ring 11.6 i/d x 2.4 sect (Viton)	1		5,6
045	'O' ring 1/2" i/d x 0.103" sect (Viton)	1		5,6
046	'O' ring 44.6 i/d x 2.4 sect (Viton)	4		7
047	'O' ring 299.3 i/d x 5.7 sect (Viton)	1		5,6
048	'O' ring 19.5 i/d x 3.0 sect (Viton)	4		5,6
049	Taper pin \varnothing 10 x 36 lg	4	27013-013	
050	Std cap hd scr M4 x 10 lg	28		
051	Soc hd cap scr M8 x 25 lg	30		
052	Std ms hex hd scr M5 x 10 lg	1		
053	Std ms hex hd scr M8 x 30 lg	1		
054	Std ms hex hd scr M6 x 20 lg	32		
055	Std ms hex hd scr M12 x 30 lg	2		
056	Std ms hex hd scr M8 x 12 lg	4		
057	Hex locknut 3/4" BSP	2		
058	Eyebolt M12 (to drg spec) (stl)	2	218790005	
059	Gear cover cooling coil (stl)	1	A30551011	
060	1/8" BSP plug (stl)	1	A26002027	
061	'O' ring ref 0111-16 (Viton)	1	H02122009	
062	Std hex hd scr M4 x 6 (stl)	4		
063	Std plain washer M8 (ms ni)	4		
064	Std pan hd scr M5 x 10 lg (st stl)	4		
065	Foot (stl)	4	A25972008	
066	Roll pin	4	212170159	
067	Std stl hex hd scr M12 x 25 lg	4		
068	Shakeproof washer M12	4		
070	Stl dog pt scr M16 x 12 lg	2		
073	Silcoset	A/R		
074	Fomblin RT15 (alt: Krytox 240ad)	A/R		
075	Loctite 222 'Screwlock'	A/R		
076	Loctite 518	A/R		
077	Loctite 641	A/R		

Table 10 - EH/QMB1200 common module parts list: sheet 2 of 2

EH1200 DRIVE ASSEMBLY PARTS LIST

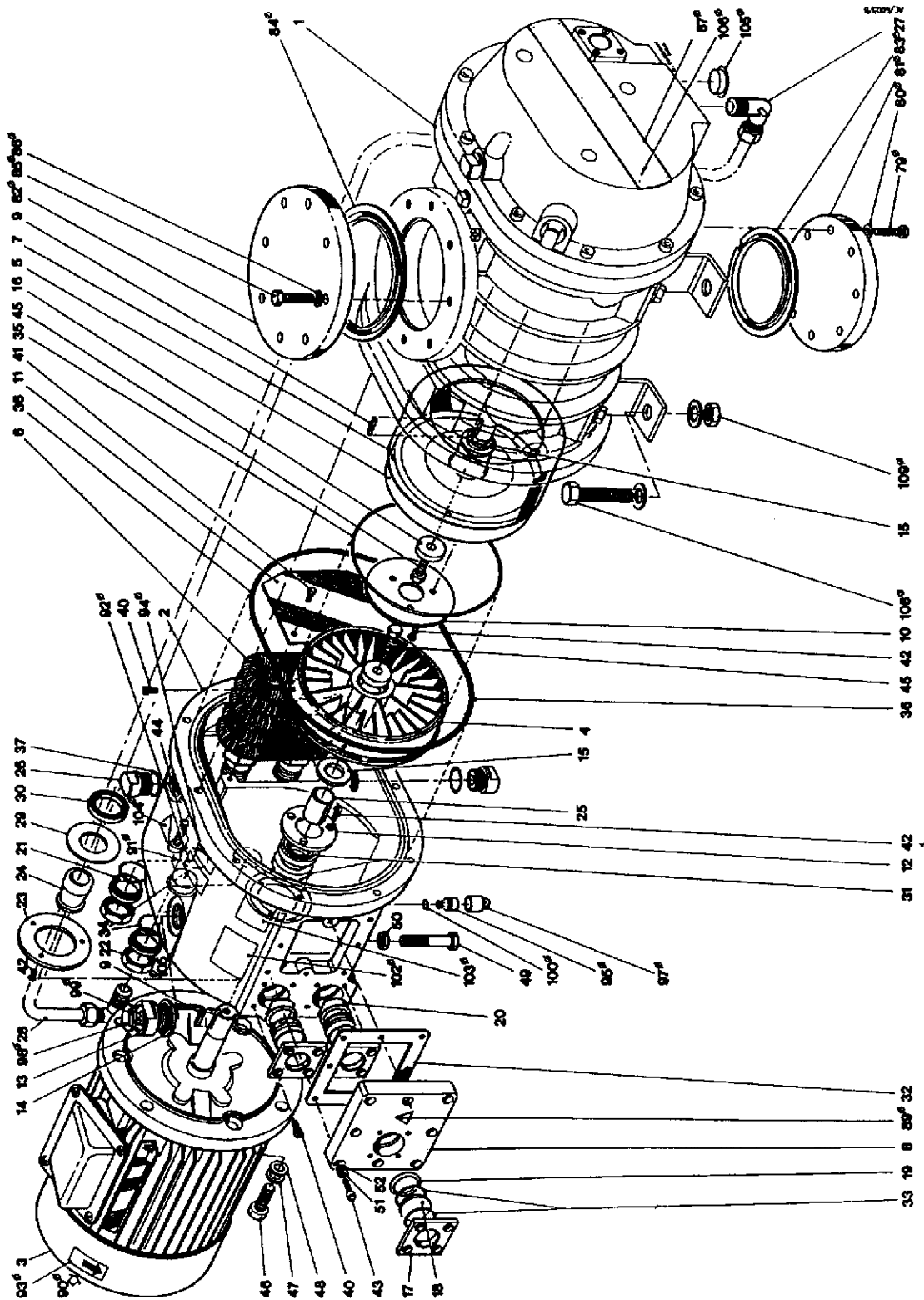


Figure 10 - Exploded view of the EH1200 drive assembly

Item	Description	Quantity	Item Number	Kit No.(s)
001	EH1200 pump module	1	A30530000	
002	Coupling cover	1	A30551028	
003	Drive	1	See Table 16	
004	Fluid coupling (driver) (ali)	1	A30551030	
005	Fluid coupling (driven) (ali)	1	A30551031	
006	Coupling cover cooling coil assy (copper)	1	A30551010	
007	Coupling enclosure (ali)	1	See Table 16	
008	Cover plate (stl)	1	A25942016	
009	Key 8 x 7 x 25 lg (stl)	1	A24301025	
010	Coupling baffle (stl)	1	A25970010	
011	Oil reservoir cover (stl)	1	A25970011	
012	Seal retainer (stl)	1	A25971005	
013	1" Gas plug with vent (stl)	1	A26002041	
014	1" BSP Dowty washer(rubber)	1	H02104008	
015	Thrust ring (stl)	2	A26407006	
016	Thrust ring (stl)	2	A26407005	
017	Sight glass bezel (plast)	3	A25908100	
018	Sight glass (glass)	3		5,6
019	Compression ring (m stl)	3	A27820008	
020	Sight glass reflector (st stl)	2	A25976001	
021	Cooling coil spacer (stl)	2	A27802003	
022	3/4" BSP hex locknut	2	A25971028	
023	Seal retainer (stl)	1	A27802036	
024	Sleeve (hardened)	1	A27802031	
025	Straight sleeve	1		
026	1/2" BSP plug (stl)	1	A26002021	
027	Male stud elbow 12mm o/d x 3/8" BSPT (brass)	2	H03505111	
028	Water pipe (Copper)	1	A30585044	
029	Seal ring (rubber)	1		6
030	Simrit seal 35 x 47 x 7 (Viton)	1		6
031	Simrit seal 30 x 42 x 7 (Viton)	2		5,6
032	Gasket (rubber)	1		5,6
033	'O' ring 1.234" i/d x 0.139" section (Viton)	6		5,6
034	'O' ring 1.046 i/d x 0.139 section (Viton)	2		5,6
035	'O' ring 174.5 i/d x 3.0 section (Viton)	1		5,6
036	'O' ring 299.3 i/d x 5.7 section (Viton)	1		5,6
037	'O' ring 19.5 i/d x 3.0 section (Viton)	2	23714-034	
040	Std pan hd scr M5 x 10 (st stl)	18		
041	Std hex hd scr M5 x 10 (m stl)	4		
042	Std csk hd scr M5 x 10 (m stl)	9		

Table 11- EH1200 drive assembly parts list: sheet 1 of 2

Item	Description	Quantity	Item Number	Kit No.(s)
043	Std ht cap hd scr M5 x 20 (m stl)	9		
044	Std ht cap hd screw M8 x 25 (stl)	10		
045	Std hex hd screw M8 x 30 (st stl)	2		
046	Std hex hd screw M12 x 30 (ms ni)	4		
047	Std plain washer M12 (ms ni)	4		
048	Std shake proof washer M12	4		
049	Std ms hex hd bolt M12 x 60 lg	1		
050	Std ms hex thin nut M12	1	21891412	
051	Std plain washer M5	8		
052	Std shakeproof washer M5	8		
056	Loctite 641	A/R	11753-039	
057	Loctite 222 "Screwlock"	A/R		
058	Loctite 518	A/R		
059	Fomblin PT15 (alt: Krytox 240ad)	A/R		
079 Ø	Std hex hd screw M8 x 30 (st stl)	8		
080 Ø	Std plain washer M8 (ms ni)	8		
081 Ø	Blanking flange ISO 100	1	C10009040	
082 Ø	Blanking flange ISO 160	1	C10011040	
083 Ø	Co-seal ISO 100	1	B27158070	
084 Ø	Co-seal ISO 160	1	B27158074	
085 Ø	Std hex head scr M10 x 35 (ms ni)	8		
086 Ø	Std plain washer M10 (ms ni)	8		
087 Ø	Label (ali)	1	A20001218	
089 Ø	Warning label (plast)	1	A20001200	
090 Ø	Warning label 'Electrical' (plast)	1	E20001063	
091 Ø	Warning label 'Hot surface' (plast)	1	A20001148	
092 Ø	Label 'Do not overfill' (plast)	1	A20001209	
093 Ø	Label 'Direction of rotation' (plast)	1	A20001085	
094 Ø	Label 'Fomblin only' (plast)	1	A20001275	
095 Ø	Indicator assembly oil (m stl)	1	A30151022	
097 Ø	Modified cap (rubber)	1	A30151024	
098 Ø	Insert oil filler plug (plast)	1	A25908035	
099 Ø	Label 'Vented' (plast)	1	A20001195	
100 Ø	'O' ring size ref 0111-16 (Viton)	1	H02122009	
102 Ø	Shaft seal reservoir label (plast)	1	A20001240	
103 Ø	Label 'Coupling-cover filler plug' (plast)	1	A20001241	
104 Ø	Warning label Lifting (plast)	1	A20001171	
105 Ø	Redcap plug AQ330-12 (plast)	2	H01503021	
106 Ø	Rivet (ali)	6	211430301	
108 Ø	Std hex head scr M16 x 60 lg (stl)	4		
109 Ø	Std hex nut M16	4		

Table 11 - EH1200 drive assembly parts list: sheet 2 of 2

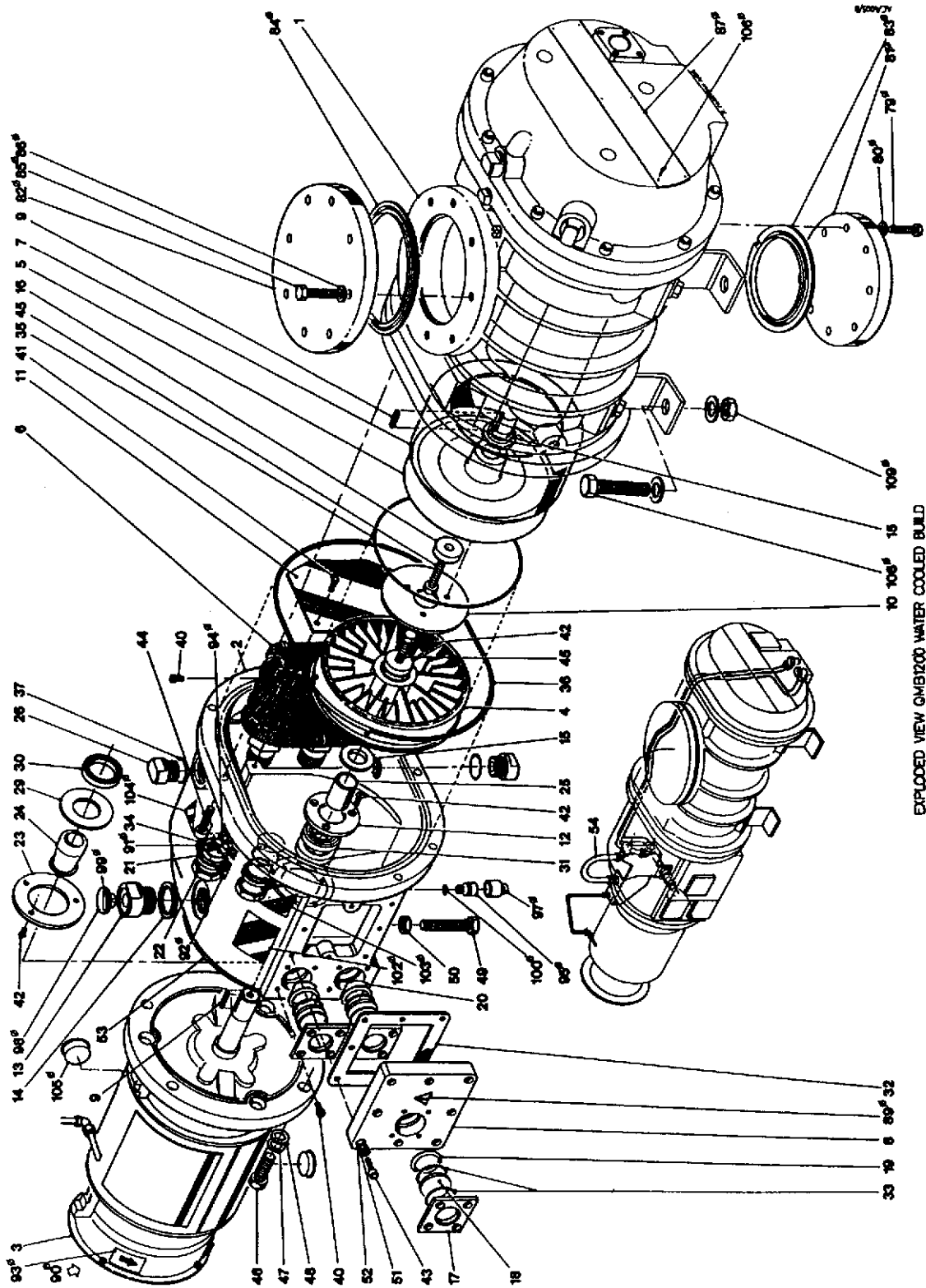


Figure 11 - Exploded view of the QMB1200 drive assembly

Item	Description	Quantity	Item Number	Kit No.(s)
001	EH1200 pump module		A30530000	
002	Coupling cover (c iron)	1	A30551028	
003	Drive 4hp	1	See Table 16	
004	Fluid coupling (driver) (ali)	1	A30551006	
005	Fluid coupling (driven) (ali)	1	A30551007	
006	Coupling cover cooling coil assy (copper)	1	A30551010	
007	Coupling enclosure (ali)	1	See Table 16	
008	Cover plate (stl)	1	A25942016	
009	Half key (stl)	2	A24301025	
010	Coupling baffle (stl)	1	A25970010	
011	Oil reservoir cover (stl)	1	A25970011	
012	Seal retainer (stl)	1	A25971005	
013	1" Gas plug with vent (stl)	1	A26002041	
014	1" BSP Dowty washer (rubber)	1	H02104008	
015	Thrust ring (stl)	2	A26407006	
016	Thrust ring (stl)	2	A26407005	
017	Sight glass bezel (plast)	3	A25908100	5,6
018	Sight glass (glass)	3		
019	Compression ring (stl)	3	A27820008	
020	Sight glass reflector (stl)	2	A25976001	
021	Cooling coil spacer (stl)	2	A27802003	
022	3/4" BSP hex locknut (stl)	2	M01500011	
023	Seal retainer (stl)	1	A25971028	
024	Sleeve (hardened) (stl)	1	A27802036	
025	Straight sleeve (stl)	1	A27802031	
026	1/2" BSP plug (stl)	2	A26002021	
029	Seal ring (rubber)	1		6
030	Simrit seal 35 x 47 x 7 (Viton)	1	H02109122	6
031	Simrit seal 30 x 42 x 7 (Viton)	2	H02109076	5,6
032	Gasket (rubber)	1		5,6
033	'O' ring 1.234" i/d x 0.139" section (Viton)	6		5,6
034	'O' ring 1.046" i/d x 0.139" section (Viton)	2		5,6
035	'O' ring 174.5 i/d x 3.0 section (Viton)	1		5,6
036	'O' ring 299.3 i/d x 5.7 section (Viton)	1		5,6
037	'O' ring 19.5 i/d x 3.0 section (Viton)	2	23714-034	
040	Std pan hd screw M5 x 10 (st stl)	18		
041	Std hex hd screw M5 x 10 (ms ni)	4		
042	Std csk hd scr M5 x 10 (ms ni)	9		
043	Std ht cap hd scr M5 x 20 (stl)	8		
044	Std ht cap hd scr M8 x 25 (stl)	10		

Table 12 - QMB1200 drive assembly parts list: sheet 1 of 2

Item	Description	Quantity	Item Number	Kit No.(s)
045	Std hex hd screw M8 x 30 (st stl)	2		
046	Std hex hd screw M12 x 30 (ms ni)	4		
047	Std plain washer M12 (ms ni)	4		
048	Std shakeproof washer M12 (ms ni)	4		
049	Std ms hex hd bolt M12 x 60 lg (ms ni)	1		
050	Std ms hex thin nut M12 (ms ni)	1	21891412	
051	Std plain washer M5	8		
052	Std shakeproof washer M5	8		
053	Gasket	1	A27160004	
054	Water system	1	A30585040	
056	Locktite 641	A/R	11753-039	
057	Locktite 222 "Screwlock"	A/R		
058	Loctite 518	A/R		
059	Fomblin RT15 (alt: Krytox 240 ad)	A/R		
079 Ø	Std hex hd screw M8 x 30 (st stl)	8		
080 Ø	Std plain washer M8 (ms ni)	8		
081 Ø	Blanking flange ISO 100	1	C10009040	
082 Ø	Blanking flange ISO 160	1	C10011040	
083 Ø	Co-seal ISO 100	1	B27158070	
084 Ø	Co-seal ISO 160	1	B27158074	
085 Ø	Std hex head scr M10 x 35 (ms ni)	8		
086 Ø	Std plain washer M10 (ms ni)	8		
087 Ø	Label (ali)	1	A20001218	
089 Ø	Warning label (plast)	1	A20001200	
090 Ø	Warning label 'Electrical'	1	E20001063	
091 Ø	Label 'Do not overfill' (plast)	1	A20001148	
092 Ø	Warning label 'Hot surface' (plast)	1	A20001209	
093 Ø	Label 'Direction of rotation' (plast)	1	A20001085	
094 Ø	Label 'Fomblin only' (plast)	1	A20001275	
095 Ø	Oil indicator assembly (m stl)	1	A30151022	
097 Ø	Modified cap (rubber)	1	A30151024	
098 Ø	Insert oil filler plug (plast)	1	A25908035	
099 Ø	Label 'Vented'	1	A20001195	
100 Ø	'O' ring size ref 0111-16 (Viton)	1	H02122009	
102 Ø	Label 'Shaft seal reservoir' (plast)	1	A20001240	
103 Ø	Label 'Coupling-cover filler plug' (plast)	1	A20001241	
104 Ø	Warning label 'Lifting' (plast)	1	A20001171	
105 Ø	Redcap plug AQ330-12 (plast)	2	H01503021	
106 Ø	Rivet (ali)	6	211430301	
108 Ø	Std hex head scr M16 x 60 lg (stl)	4		
109 Ø	Std hex nut M16 (stl)	4		

Table 12 - QMB1200 drive assembly parts list: sheet 2 of 2

EH2600 PUMP PARTS LIST

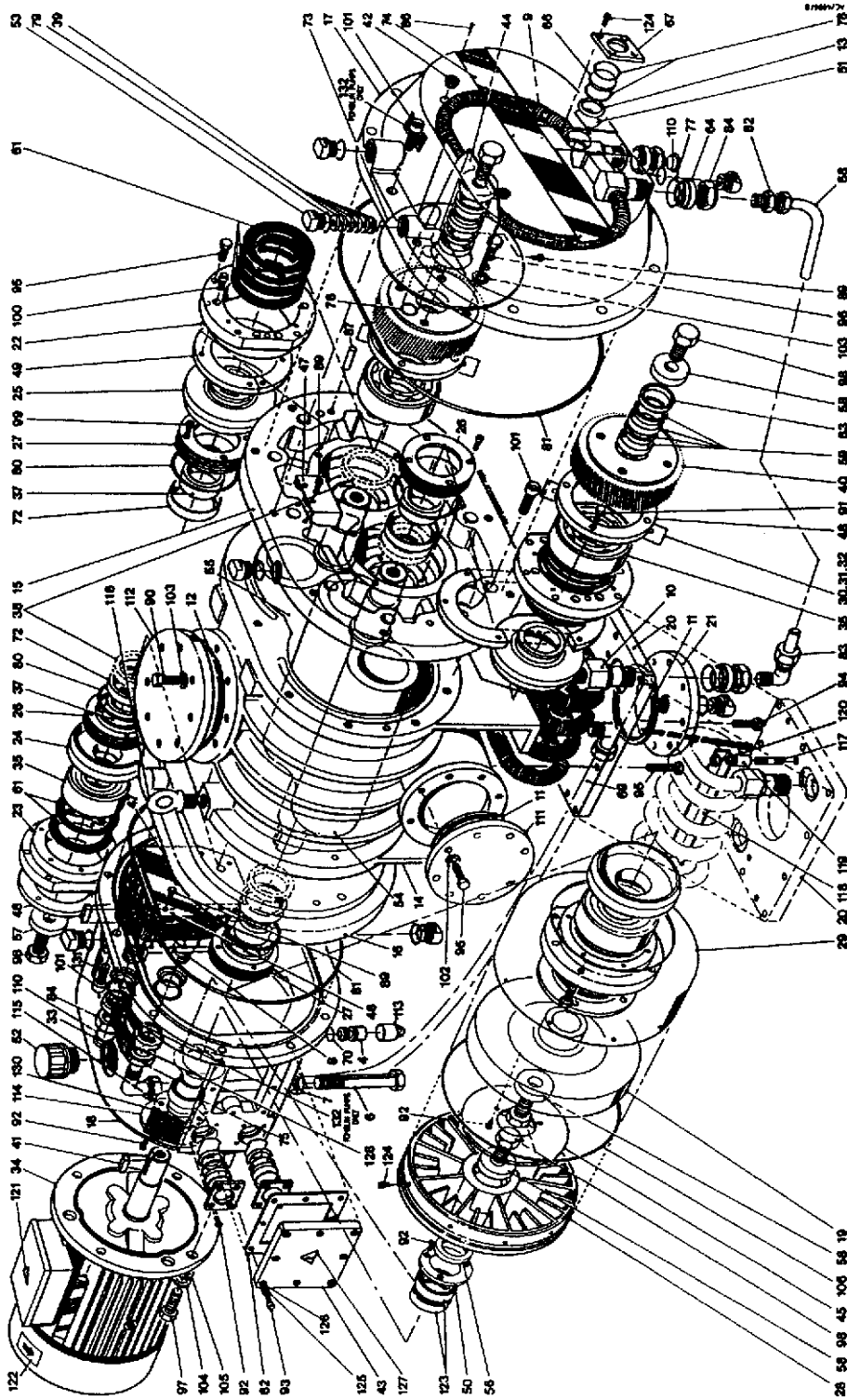


Figure 12 - Exploded view of the EH2600 pump

Item	Description	Quantity	Item Number	Kit No.(s)
004	Indicator assy	1	A30151022	
006	Std ms hex hd bolt M16 x 120 lg	1		
007	Std ms hex thin nut M16	1	218961414	
008	Sub-assy - coupling cover cooling coil	1	A30751010	
009	Sub-assy - gear cover cooling coil	1	A30751011	
010	Sub-assy intercooler	1	A30751012	
011	ISO100 trapped 'O' ring	2	B27158171	
012	ISO160 trapped 'O' ring	1	B27158172	
013	Compression ring	3	A27820008	
014	Stator	1	A30751001	
015	Headplate - gear end	1	A30750002	
016	Headplate - coupling end	1	A30751003	
017	Gear cover	1	A30750004	
018	Coupling cover	1	A30752032	
019	Fluid coupling (driven)	1	A30751031	
020	Sump cover plate	1	A30751014	
021	Sump cover blanking plate	1	A30751015	
022	Bearing carrier - gear end	2	A30751016	
023	Bearing carrier - coupling end	2	A30751017	
024	Throw ring - coupling end	2	A30751018	
025	Throw ring - gear end	2	A30751019	
026	Seal carrier - left hand	2	A30751020	
027	Seal carrier - right hand	2	A30751021	
028	Fluid coupling (driver)	1	A30751030	
029	Coupling enclosure	1	See Table 16	
030	Shim 0.05mm thick	A/R		11
031	Shim 0.10mm thick	A/R		11
032	Shim 0.20mm thick	A/R		11
033	Sleeve (conical)	1	A30751034	
034	Drive 10 hp		See Table 16	
035	Ball bearing 6309RS	4		10
037	Inner ring - ir 45 x 55 x 22	4		10
038	Dust seal	4		10
039	Filter disc	6		10
040	Gears	1PR	A22903012	
041	Key 10 x 8 x 30mm lg	1	A24301026	
042	'Heyco' plug (plast)	2	A25908024	
043	Cover plate	1	A25942014	
044	Gear cover baffle	1	A25970013	
045	Coupling baffle	1	A25970014	

Table 13 - EH2600 pump parts list: sheet 1 of 3

Item	Description	Quantity	Item Number	Kit No.(s)
046	Oil reservoir cover	1	A25970015	
047	Evacuation baffle	2	A25970022	
048	Bearing retainer	4	A25971008	
049	Retainer (2 halves)	2	A25971009	
050	Seal retainer	1	A25971010	
051	Sight glass reflector	3	A25976001	
052	Breather plug 1" BSP	1	A25908176	
053	1/2" BSP plug	7	A26002021	
054	Rotor (driver)	1	A26401020	
055	Rotor (driven)	1	A26401021	
056	Thrust ring	1	A26407008	
057	Thrust ring	1	A26407009	
058	Thrust ring	4	A26407010	
059	Locking element - 'Ringfeder'	4PRS	A26440003	
060	1" BSP Dowty washer	1		8,9
061	Disc spring K6013, 99 X 70.5 X 1.0	12	21898-5237	
062	Gasket (Viton)	1		9
063	Clamp ring	2	A27801003	
064	Cooling coil spacer	6	A27802003	
065	Scr hex hd M16 x 60	1		
066	Sight glass (glass)	3		8,9
067	Sight glass bezel (plast)	3	A25908100	
068	Tube - 12mm o/d copper	1	A27843009	
069	Tube - 12mm o/d copper	2	A27843010	
070	'O' ring size ref 0111-16 (Viton)	1	H02122009	
071	Loctite 518	A/R		
072	Lipseal - 72 X 55 X 10 (PTFE)	4		10
073	Oil splasher	1	A25970019	
074	Label	1	A20001219	
075	Lipseal - 45 X 60 X 10/8 (PTFE)	1	23741-069	
076	'O' ring 15.1 i/d x 2.6mm section	1		10
077	'O' ring 1.046" i/d x .139" section	6		8,9
078	'O' ring 1.234 i/d x .139" section	6		8
079	'O' ring 19.5 i/d x 3mm section	7		8,9
080	'O' ring 74.5 i/d x 3mm section	4		10
081	'O' ring 419.3 i/d x 5.7mm section	2		8,9
082	Male stud coupling 12mm o/d 3/8" BSPT	1	H03505043	
083	Male stud elbow 12mm o/d 3/8" BSPT	3	H03505111	
084	Hex locknut 3/4" BSP	6	M01500011	
085	Plastic insert	1	A25908035	

Table 13 - EH2600 pump parts list: sheet 2 of 3

Item	Description	Quantity	Item Number	Kit No.(s)
086	Rivet	6	211430301	
087	Taper pin Ø 8 X 36 lg	4	212192021	
088	Label 'Vented' (plast)	1	A20001195	
089	Std ms hd scr M5 x 10 lg	1		
090	Std ms hex hd scr M10 x 35 lg	8,		
091	Std ms hex hd scr M6 x 20 lg	24		
092	Std ms csk hd scr M5 x 10 lg	9		
093	Soc hd cap scr M5 x 10 lg	3		
094	Std ms hex hd scr M8 x 25 lg	8		
095	Std ms hex hd scr M8 x 30 lg	24		
096	Std ms hex hd scr M10 x 16 lg	4		
097	Std ms hex hd scr M12 x 30 lg	4		
098	Std ms hex hd scr M16 x 35 lg	5		
099	Soc hd cap scr M8 x 10 lg	2		
100	Soc hd cap scr M6 x 25 lg			
101	Soc hd cap scr M10 x 30 lg			
102	Std ms plain washer M8			
103	Std ms plain washer M10			
104	Std ms plain washer M12	4		
105	Std shakeproof washer M12	4		
106	'O' ring 239.5 i/d x 3mm section	1		8,9
107	Loctite 641	A/R	11753-039	
108	Moly disulphide grease	A/R		
109	Loctite 'Screwlock'	A/R		
110	Redcap	2	H01503021	
113	Modified cap (Rubber)	1	A30151024	
114	Retainer	1	A30751033	
115	Ring (Viton)	1	A27159441	
116	Eyebolt M16 (to drg spec)	2	218790007	
117	Stud M8	2	B22402003	
118	Angle	1	A20103004	
119	Spacer	2	A27801007	
120	Std ms hex nut M8	2		
121	Warning label 'Electrical'	1	E20001063	
122	Label 'Direction of rotation' (plast)	1	A20001085	
123	Simrit seal 40-52.7 (Viton) (drg spec)	2		8,9
124	Scr pan hd M5 x 10 lg (st stl)	22		
125	Std plain wshr M5 (ms ni)	8		
126	Std shakeproof washer M5	8		
127	Warning label (plast)	1	A20001200	
128	Label	1	A20001209	
129	Nut full M16	4		
150	Label 'Fomblin oil only'	2	A20001275	

Table 13 - EH2600 pump parts list: sheet 3 of 3

EH4200 PUMP PARTS LIST

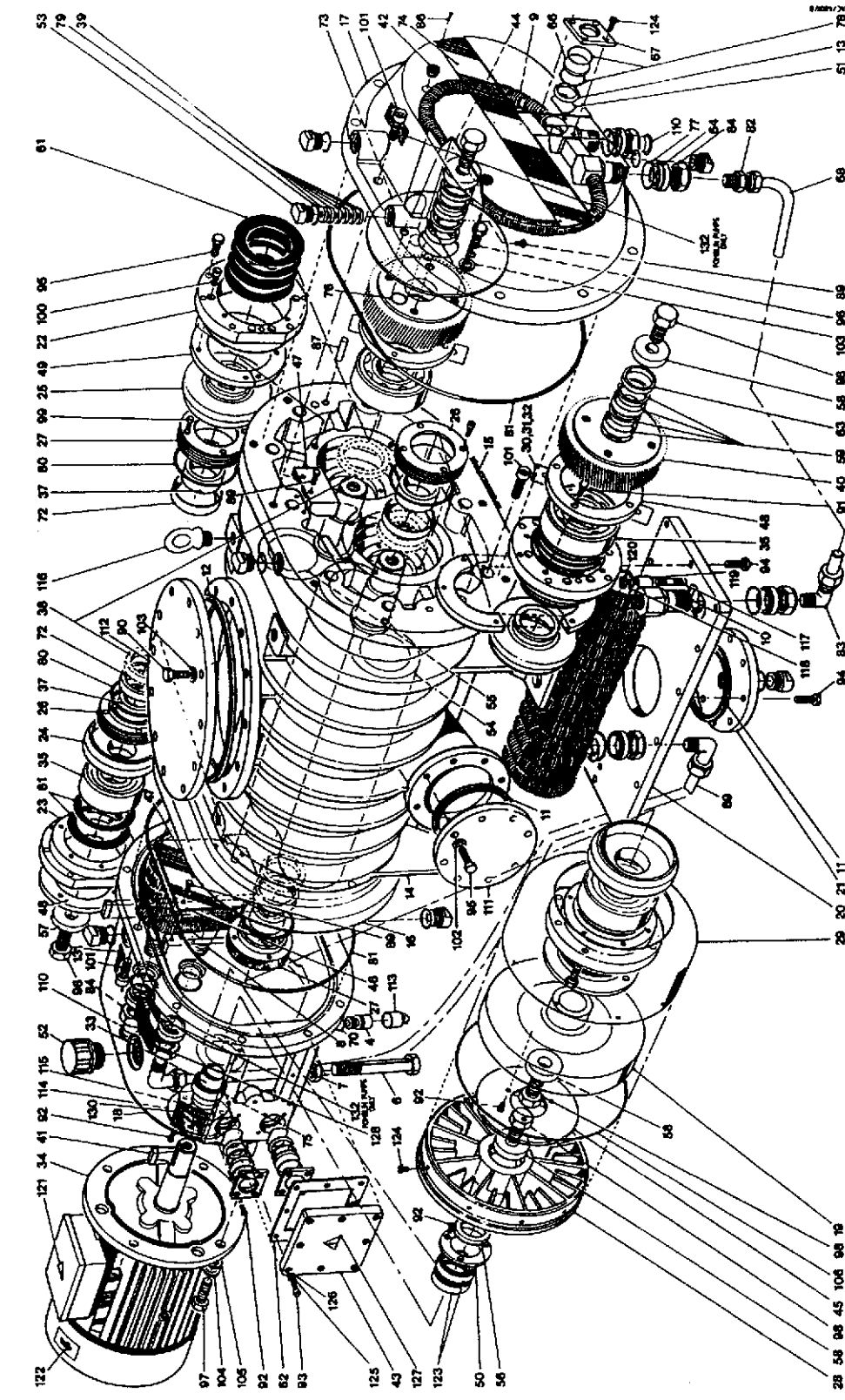


Figure 13 - Exploded view of the EH4200 pump

Item	Description	Quantity	Item Number	Kit No.(s)
004	Indicator assy	1	A30151022	
006	Std ms hex hd bolt M16 x 120 lg	1		
007	Std ms hex thin nut M16	1	218961414	
008	Sub-assy - coupling cover cooling coil	1	A30751010	
009	Sub-assy - gear cover cooling coil	1	A30751011	
010	Sub-assy intercooler	1	A30951002	
011	ISO100 trapped 'O' ring	2	B27158171	
012	250mm 'Co-seal' assy pack	1	B27158143	
013	Compression ring	3	A27820008	
014	Stator	1	A30951001	
015	Headplate - gear end	1	A30750002	
016	Headplate - coupling end	1	A30751003	
017	Gear cover	1	A30750004	
018	Coupling cover	1	A30752032	
019	Fluid coupling (driven)	1	A30751031	
020	Sump cover plate	1	A30751014	
021	Sump cover blanking plate	1	A30751015	
022	Bearing carrier - gear end	2	A30751016	
023	Bearing carrier - coupling end	2	A30751017	
024	Throw ring - coupling end	2	A30751018	
025	Throw ring - gear end	2	A30751019	
026	Seal carrier - left hand	2	A30751020	
027	Seal carrier - right hand	2	A30751021	
028	Fluid coupling (driver)	1	A30751030	
029	Coupling enclosure	1	See Table 16	
030	Shim 0.05mm thick	A/R		11
031	Shim 0.10mm thick	A/R		11
032	Shim 0.20mm thick	A/R		11
034	Drive 10 hp	1	See Table 16	
035	Ball bearing 6309RS	4		10
036	Sleeve (conical)	1	A30751034	
037	Inner ring - ir 45 x 55 x 22	4		10
038	Dust seal	4		10
039	Filter disc	6		10
040	Gears	1PR	A22903012	
041	Key 10 x 8 x 30mm lg	1	A24301026	
042	'Heyco' plug (plast)	2	A25908024	
043	Cover plate	1	A25942014	
044	Gear cover baffle	1	A25970013	
045	Coupling baffle	1	A25970014	

Table 14 - EH4200 pump parts list: sheet 1 of 3

Item	Description	Quantity	Item Number	Kit No.(s)
046	Oil reservoir cover	1	A25970015	
047	Evacuation baffle	2	A25970022	
048	Bearing retainer	4	A25971008	
049	Retainer (2 halves)	2	A25971009	
050	Seal retainer	1	A25971010	
051	Sight glass reflector	3	A25976001	
052	Breather plug 1" BSP	1	A25908176	
053	1/2" BSP plug	7	A26002021	
054	Rotor (driver)	1	A26401022	
055	Rotor (driven)	1	A26401023	
056	Thrust ring	1	A26407008	
057	Thrust ring	1	A26407009	
058	Thrust ring	4	A26407010	
059	Locking element - 'Ringfeder'	4PRS	A26440003	
060	1" BSP Dowty washer	1		8,9
061	Disc spring K6013, 99 X 70.5 X 1.0	12	21898-5237	
062	Gasket (Viton)	1	A27159549	
063	Clamp ring	2	A27801003	
064	Cooling coil spacer	6	A27802003	
066	Sight glass	3		8,9
067	Sight glass bezel	3	A25908100	
068	Tube - 12mm o/d copper	1	A27843009	
069	Tube - 12mm o/d copper	2	A27843010	
070	'O' ring size ref 0111-16 (Viton)	1	H02122009	
071	Loctite 518	A/R		
072	Lipseal - 72 X 55 X 10 (PTFE)	4		10
073	Oil splasher	1	A25970019	
074	Label	1	A20001220	
075	Lipseal - 45 X 60 X 10/8 (PTFE)	1	23741-069	
076	'O' ring 15.1 i/d x 2.6mm section	1		10
077	'O' ring 1.046" i/d x .139" section	6		8,9
078	'O' ring 1.234 i/d x .139" section	6		8
079	'O' ring 19.5 i/d x 3mm section	7		8,9
080	'O' ring 74.5 i/d x 3mm section	4		10
081	'O' ring 419.3 i/d x 5.7mm section	2		8,9
082	Male stud coupling 12mm o/d 3/8" BSPT	1	H03505043	
083	Male stud elbow 12mm o/d 3/8" BSPT	3	H03505111	
084	Hex locknut 3/4" BSP	6	M01500011	
085	Plastic insert	1	A25908035	

Table 14 - EH4200 pump parts list: sheet 2 of 3

Item	Description	Quantity	Item Number	Kit No.(s)
086	Rivet	6	211430301	
087	Taper pin Ø 8 X 36 lg	4	212192021	
088	Label 'Vented'	1	A20001195	
089	Std ms hd scr M5 x 10 lg	1		
090	Std ms hex hd scr M10 x 35 lg	12		
091	Std ms hex hd scr M6 x 20 lg	24		
092	Std ms csk hd scr M5 x 10 lg	9		
093	Soc hd cap scr M5 x 10 lg	3		
094	Std ms hex hd scr M8 x 25 lg	14		
095	Std ms hex hd scr M8 x 30 lg	24		
096	Std ms hex hd scr M10 x 16 lg	4		
097	Std ms hex hd scr M12 x 30 lg	4		
098	Std ms hex hd scr M16 x 35 lg	5		
099	Soc hd cap scr M8 x 10 lg	2		
100	Soc hd cap scr M6 x 25 lg			
101	Soc hd cap scr M10 x 30 lg			
102	Std ms plain washer M8			
103	Std ms plain washer M10	16		
104	Std ms plain washer M12	4		
105	Std shakeproof washer M12	4		
106	'O' ring 239.5 i/d x 3mm sect	1		8,9
107	Loctite 641	A/R	11753-039	
108	Moly disulphide grease	A/R		
109	Loctite 'Screwlock'	A/R		
110	Redcap	2	H01503021	
113	Modified cap (Rubber)	1	A30151024	
114	Retainer	1	A30751033	
115	Ring (Viton)	1	A27159441	
116	Eyebolt M16 (to drg spec)	2	218790007	
117	Stud M8	2	B22402003	
118	Angle	1	A20103004	
119	Spacer	2	A27801007	
120	Std ms hex nut M8	2	218960610	
121	Warning label 'Electrical'	1	E20001063	
122	Label 'Direction of rotation' (plast)	1	A20001085	
123	Simrit seal 40-52.7 (Viton) (drg spec)	2		8,9
124	Scr pan hd M5 x 10 lg (st stl)	22		
125	Std plain wshr M5 (ms ni)	8		
126	Std shakeproof wshr M5 (ms ni)	8		
127	Warning label	1	A20001200	
128	Label	1	A20001209	
129	Nut full M16	4		
150	Label 'Fomblin oil only'	2	A20001275	

Table 14 - EH4200 pump parts list: sheet 3 of 3