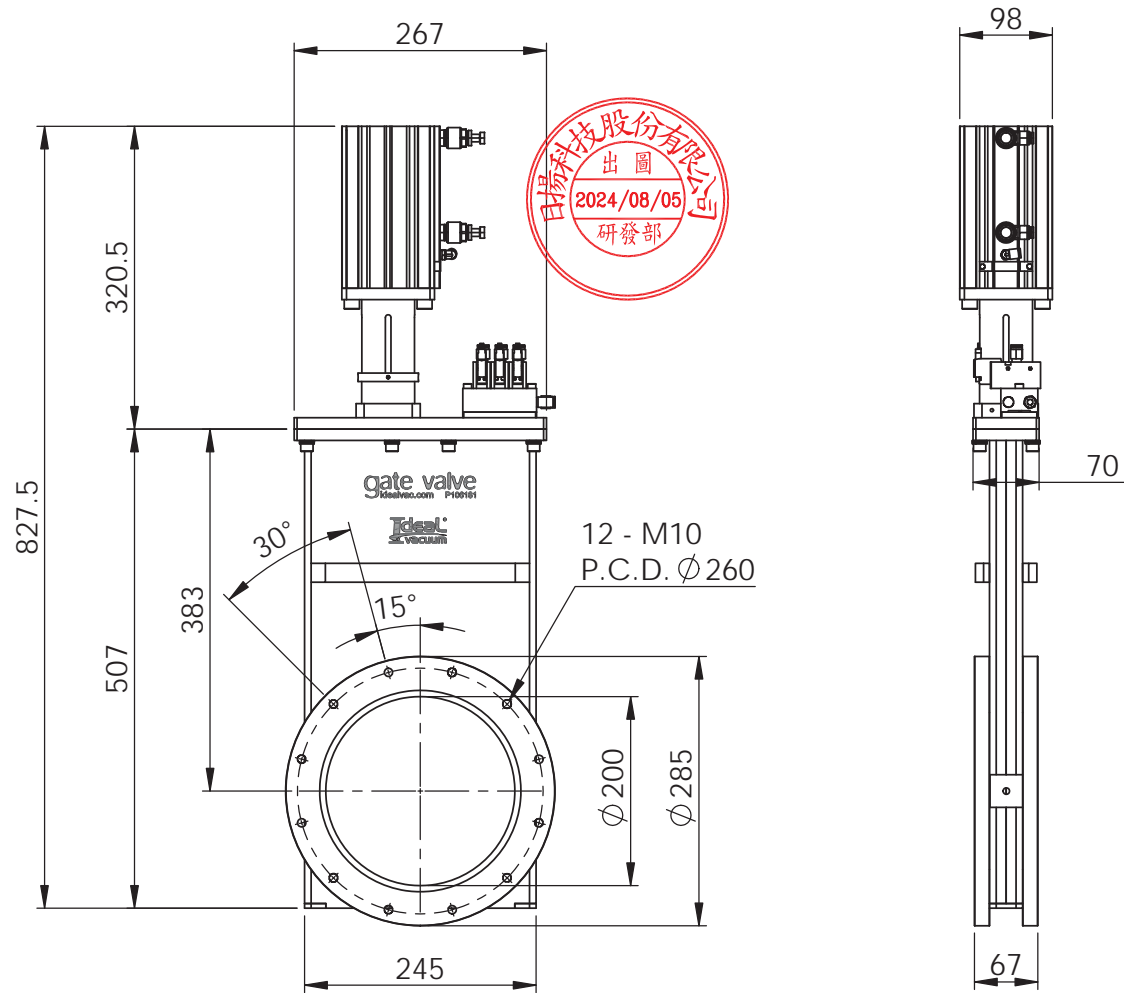


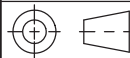
此為機密文件，非經授權禁止複製與影印。COPYING IN THIS DOCUMENT, GIVING IT TO OTHERS AND THE USE OR COMMUNICATION OF THE CONTENTS THEREOF ARE FORBIDDEN WITHOUT EXPRESS AUTHORITY.

1			2			3			4			5			6			7			8		
TOLERANCE																							
UNLESS OTHERWISE STATED																							
RANGE	DIAMETER	LENGTH																					
1~20	±0.10	±0.10																					
21~63	±0.10	±0.20																					
64~300	±0.15	±0.30																					
301~500	±0.20	±0.50																					
500~	±0.20	±0.60																					
ROUGHNESS SYMBOL																							
HEAT TREATMENT (HRc)																							
UNLESS OTHERWISE STATED								C															
SHARP CORNERS								R															



FOR REFERENCE
請確認圖面
簽名後回傳

UNIT: mm		SIZE: A 4		SCALE: 1:10		MATERIAL		Q'ty	
SURFACE TREATMENT						ASSEMBLY TITLE			
DRAWN		DESIGNED		CHECKED		APPROVED		PARTS NAME	
李維元		李維元		陳冠華		許俊樹		ISO200 3-POSITION GATE VALVE	
2021/11/17		2021/11/17		2021/12/1		2021/12/6		DRAWING NO.	
								GA4G611CB	
REV		DATE		DESCRIPTION		APPD		MODEL NO.	
								GVB3P-SS-ISO200-P	



HIGHLIGHT TECH CORP.

REV
6