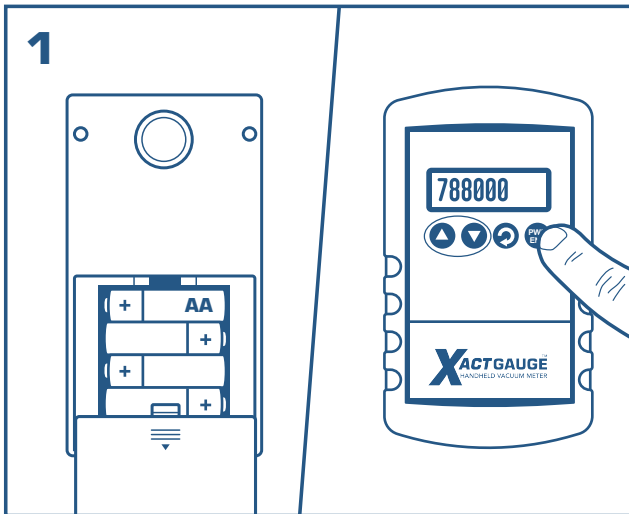
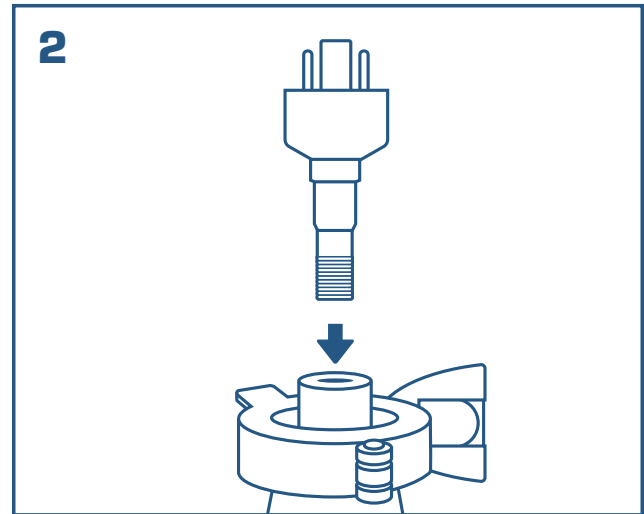


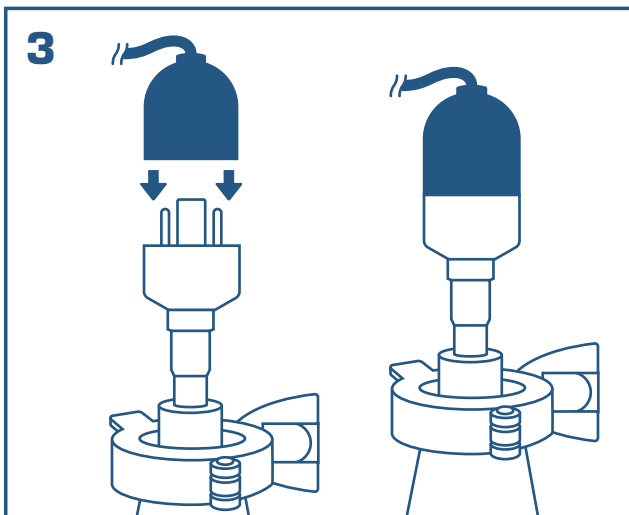
OUR PRODUCTS DEVELOP TOMORROW'S TECHNOLOGIES



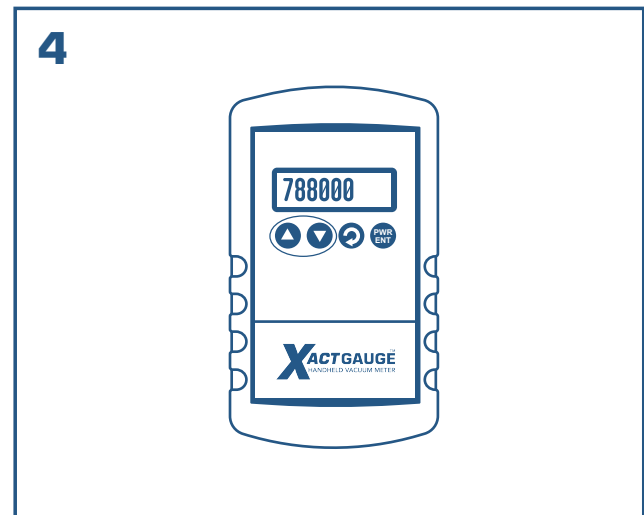
1 Install batteries, press power button and verify that the display lights up



2 Plumb the thermocouple gauge into your vacuum system



3 Connect the octal end of the sensor cable to the vacuum sensor



4 Verify that the readings make sense