

Material Number: 71436190.
Material Description: KIT,MAJOR,REPAIR,GX,SV200

Material Number	Material Description	Quantity per	UOM
23970106	O'RING,VITON,13.3 X 2.4 MM	2.000	EA
300138	Gasket, Ring, Viton, SV300	4.000	EA
300043	GASKET, SV300	1.000	EA
300058	Gasket, Flat, SV200	1.000	EA
300073	Gasket, Crush, Copper, 10mm	6.000	EA
300074	Gasket, Crush, Copper, 12mm	8.000	EA
300075	Gasket, Crush, Copper, 14mm	12.000	EA
300076	Gasket, Crush, Copper, 16mm	8.000	EA
300077	Gasket, Crush, Copper, 18mm	2.000	EA
310045	SEAL, VALVE, ASB, SV300	2.000	EA
320183	O'ring, Buna, 52 x 2.5 mm	3.000	EA
40017	O'RING, BUNA, 13.94 X 2.62 MM	2.000	EA
420040	Washer, Steel, 38x30x2mm	2.000	EA
510042	Sleeve, Bearing, Hardened	2.000	EA
90220900000	Coupling, Spider, Rotex, GR38	1.000	EA
71015473	SEAL, ANTI-SUCKBK. VAL. SV180/300	1.000	EA
71017702	O'RING, BUNA, 148.83 X 3.53MM	2.000	EA
71017854	GASKET, JOINT PLATE, SV180	1.000	EA
71017993	ASSY, RLF VLV SEAL DISC, SV40/65	2.000	EA
71018048	GASKET, JOINT, SV40/65/100	1.000	EA
71018858	Filter, Oil, Sogevac SV180/SV200/SV280/SV3	1.000	EA
71031562	BEARING, NEEDLE, SV180-SV300	2.000	EA
71032252	O'RING, BUNA, 28 X 3 MM	2.000	EA
71036722	O'RING, BUNA, 27 X 2.5 MM	1.000	EA
71046164	GASKET, SV180, SV300	1.000	EA
71046292	O'RING, BUNA, 27 X 2 MM	3.000	EA
71064763	FILTER, COALESCING EXH., 227mm	4.000	EA
71212473	GASKET, SV40/65/100/180/300	1.000	EA
71212503	SEAL, FLOAT VAL. SV40/65/100/180	1.000	EA
71213243	DIAPHRAM	1.000	EA
71213273	GASKET, SV180, SV300	1.000	EA
71217332	O'RING, BUNA, 32 X 3.5 MM	1.000	EA
71217402	O'RING, BUNA, 22 X 3 MM	2.000	EA
71219488	SIGHT GLASS, LEYBOLD	1.000	EA
71223182	SEAL, SHAFT, VITON, 32X47X7MM	1.000	EA
71235521	PLATE, VALVE	1.000	EA
71412000G	VANE, GX, SINGLE, SV180/SV200	3.000	EA
71436722	O'RING, BUNA, 117.07 X 3.53MM	1.000	EA
71231364	Plate, Valve, Stop, CRS, SV200	1.000	EA
DRAWING	Drawing Layout	1.000	EA

Packed with Pride by

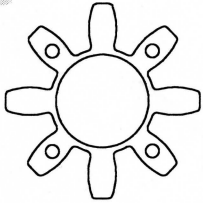
PS

BAG 1C 90220900000

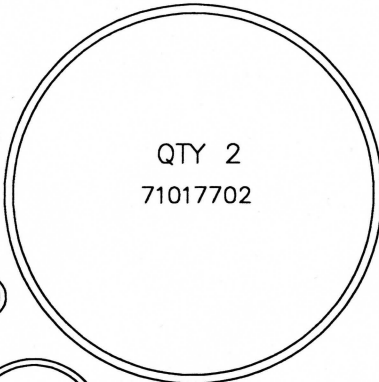
23970106



40017



QTY 2
71017702



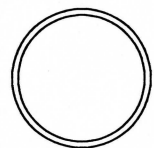
71036722



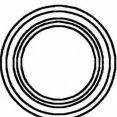
300138



320183



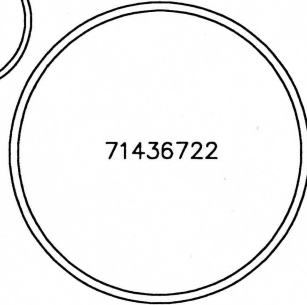
71223182



71212503

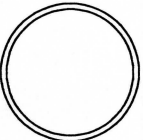


71032252



71436722

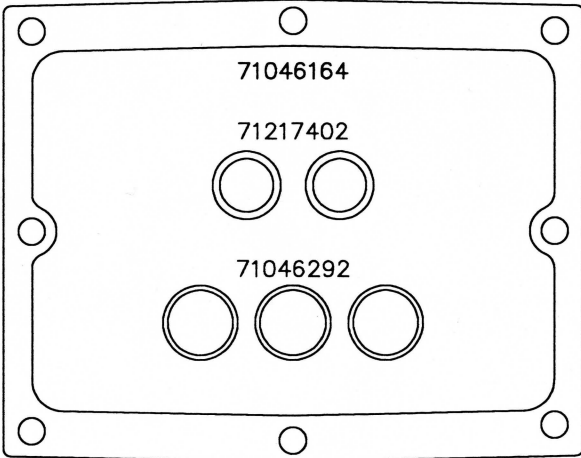
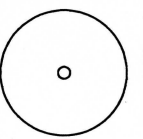
71018048



71217332



71213243



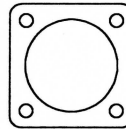
71046164

71217402

71046292

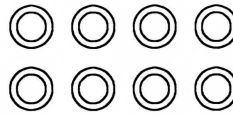
BAG 1A

71212473

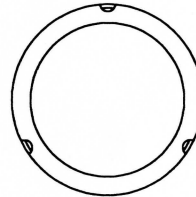


BAG 2C

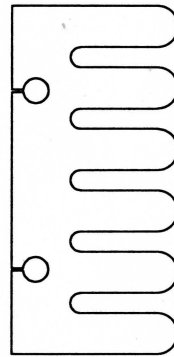
300074



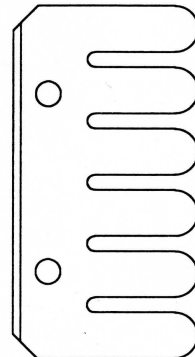
71015473



71235521



71231364



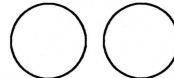
300076



510042



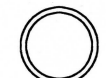
71017993



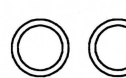
300073



510042



300077



310045



420040



71219488



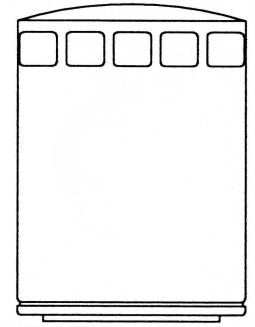
300075



Material Number	Material Description	Quantity per UOM	UOM
71456150	KIT, MAJOR, REPAIR, GX, S/V200		PKCEN3
23970106	ORING, V-FOR, 5.8 X 2.4 MM	2.000	EA
300073	Gasket Ring, 4mm, S/V200	4.000	EA
300074	O-RING, S/V200	1.000	EA
300075	Gasket, 1ml, S/V200	1.000	EA
300076	Gasket, Cushn, 10mm	8.000	EA
300077	Gasket, Cushn, 12mm	3.000	EA
300078	Gasket, Cushn, 14mm	12.000	EA
300079	Gasket, Cushn, 16mm	3.000	EA
300080	Gasket, Cushn, 18mm	2.000	EA
300081	Gasket, Cushn, 20mm	2.000	EA
300082	SEAL, VALVE, 1.56 S/V200	1.000	EA
300083	O-RING, 32 X 3.5 mm	3.000	EA
420040	O-RING, 32 X 3.5 X 2.82 S/V200	2.000	EA
420040	Washer, 5mm, 180, 180, 2mm	2.000	EA
510042	Seal, 10mm, 10, 10, 10mm	1.000	EA
71017702	Coupling, Spool, 1/2in, 1/2in, 1/2in	1.000	EA
71017702	SEAL, W/ 1/2in, 1/2in, 1/2in, S/V200	1.000	EA
71017702	O-RING, 32 X 3.5 X 2.82 S/V200	2.000	EA
71017702	GASKET, JOINT, 1/2in, S/V200	1.000	EA
71017702	Assembly, Valve, 1/2in, 1/2in	2.000	EA
71017702	GASKET, JOINT, 1/2in, S/V200	1.000	EA
71017702	F. L. TUR. O. L. S/O, 1/2in, S/V200	1.000	EA
71017702	BEARING, NEEDLE, C, S/V200, S/V200	2.000	EA
71017702	O-RING, 32 X 3.5 X 2.82 S/V200	2.000	EA
71017702	O-RING, 32 X 3.5 X 2.82 S/V200	1.000	EA
71017702	O-RING, 32 X 3.5 X 2.82 S/V200	1.000	EA
71017702	F. L. TUR. O. L. S/O, 1/2in, S/V200	1.000	EA
71017702	SEAL, FLO. G. VAL, S/V200, 1/2in, 1/2in	1.000	EA
71017702	O-RING, 32 X 3.5 X 2.82 S/V200	1.000	EA
71017702	O-RING, 32 X 3.5 X 2.82 S/V200	1.000	EA
71017702	O-RING, 32 X 3.5 X 2.82 S/V200	1.000	EA
71017702	SEAL, S/O, 1/2in, S/V200, 1/2in, 1/2in	1.000	EA
71017702	PLATE, VALVE, 1/2in	1.000	EA
71017702	Washer, 5mm, 180, 180, 2mm	2.000	EA
71017702	O-RING, 32 X 3.5 X 2.82 S/V200	1.000	EA
71017702	O-RING, VALVE, 1/2in	1.000	EA

PRE PACKAGED

71018858

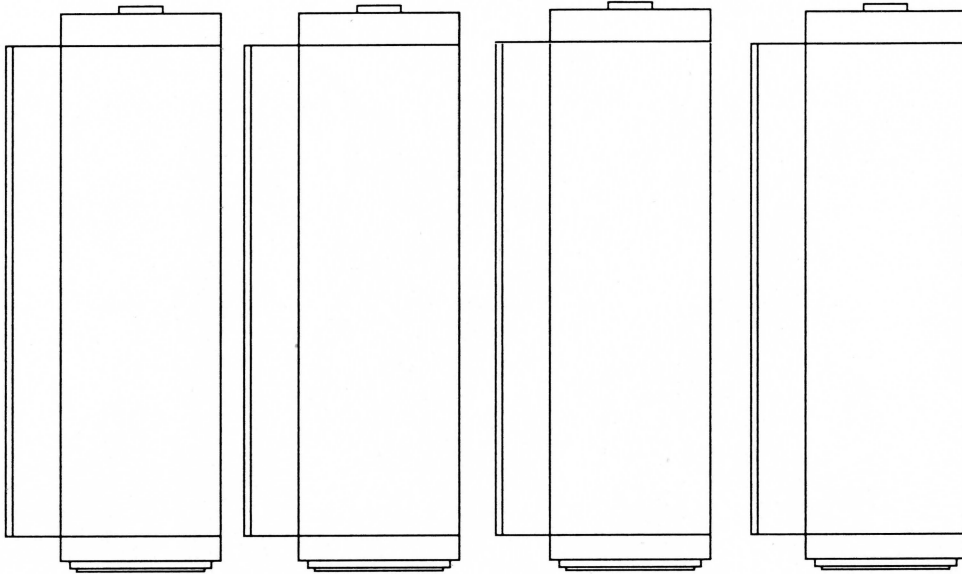


DESIGNED BY	DATE	EDWARDS
APPROVED BY		KIT, MAJOR, REPAIR
		GX, S/V200
REV. 01	4/13/10	71436190
REV. 001	4/13/10	FRAC. 1014
REV. 001	4/13/10	FRAC. 1014

SHEET 1 OF 2

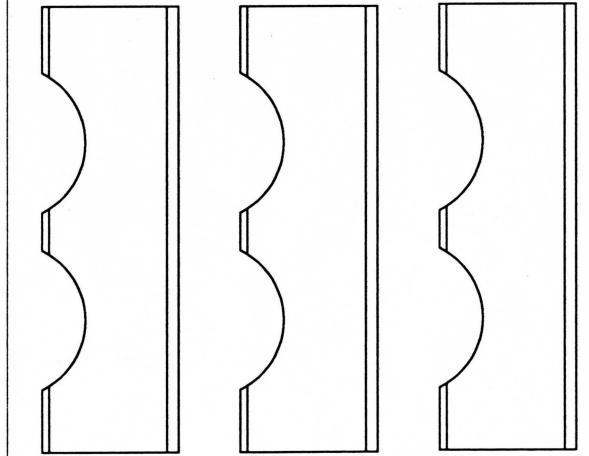
PRE PACKAGED

71064763



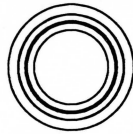
71412000G

BAG 3C

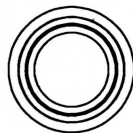


PRE PACKAGED

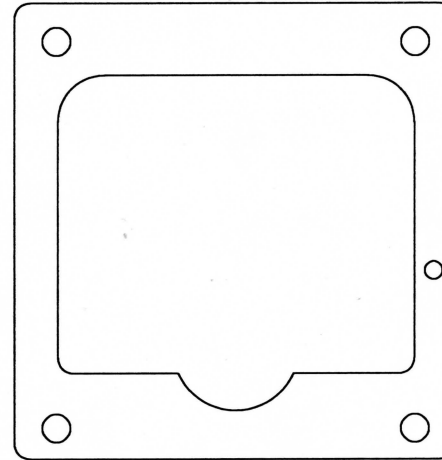
71031562



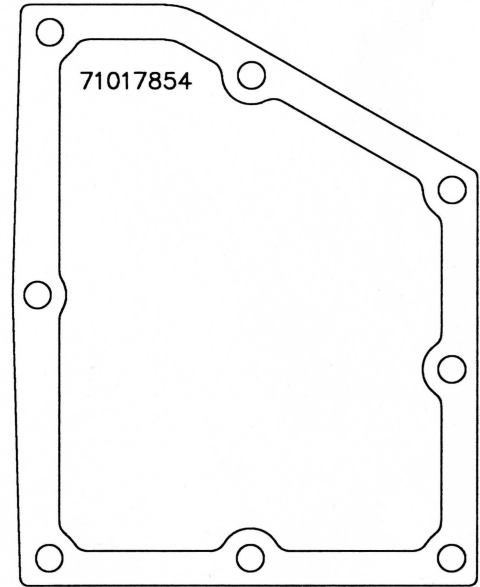
71031562



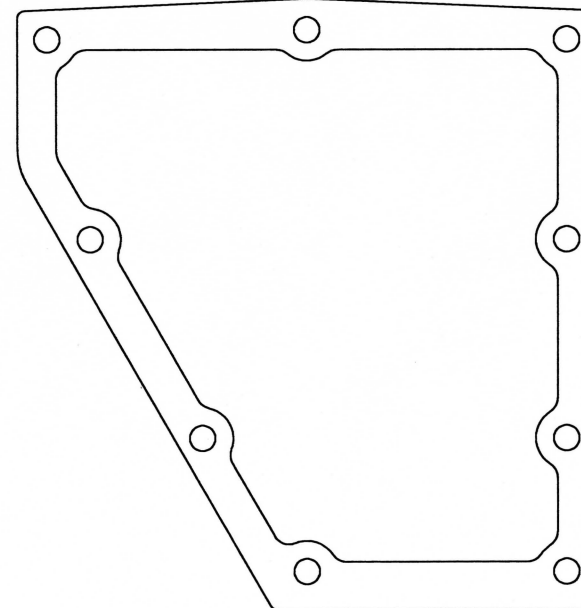
**BOTTOM OF BOX
BAG 4D 300058**



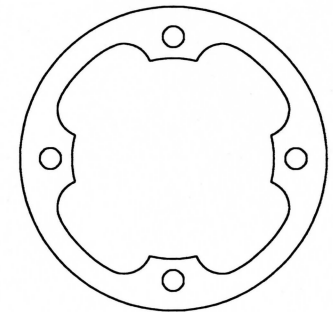
300043



71017854



71213273



DESIGN	DATE	EDWARDS	
REVISED			
BY			
APPROVED			
UNLESS OTHERWISE SPECIFIED		EDWARDS	
XX. 01"	X. 25 mm	ANGLES A2	
XXX. 002"	X. 13 mm	FINISHES A3/A4	
XXXX. 000"	XX. 025 mm	SURFACE D2	
SCALE: 1:1		REF D	71436190
		REF B	
		REF A	
		REF C	
		REF E	
		REF F	
		REF G	
		REF H	
		REF I	
		REF J	
		REF K	
		REF L	
		REF M	
		REF N	
		REF O	
		REF P	
		REF Q	
		REF R	
		REF S	
		REF T	
		REF U	
		REF V	
		REF W	
		REF X	
		REF Y	
		REF Z	
		REF AA	
		REF AB	
		REF AC	
		REF AD	
		REF AE	
		REF AF	
		REF AG	
		REF AH	
		REF AI	
		REF AJ	
		REF AK	
		REF AL	
		REF AM	
		REF AN	
		REF AO	
		REF AP	
		REF AQ	
		REF AR	
		REF AS	
		REF AT	
		REF AU	
		REF AV	
		REF AW	
		REF AX	
		REF AY	
		REF AZ	
		REF BA	
		REF BB	
		REF BC	
		REF BD	
		REF BE	
		REF BF	
		REF BG	
		REF BH	
		REF BI	
		REF BJ	
		REF BK	
		REF BL	
		REF BM	
		REF BN	
		REF BO	
		REF BP	
		REF BQ	
		REF BR	
		REF BS	
		REF BT	
		REF BU	
		REF BV	
		REF BW	
		REF BX	
		REF BY	
		REF BZ	
		REF CA	
		REF CB	
		REF CC	
		REF CD	
		REF CE	
		REF CF	
		REF CG	
		REF CH	
		REF CI	
		REF CJ	
		REF CK	
		REF CL	
		REF CM	
		REF CN	
		REF CO	
		REF CP	
		REF CQ	
		REF CR	
		REF CS	
		REF CT	
		REF CU	
		REF CV	
		REF CW	
		REF CX	
		REF CY	
		REF CZ	
		REF DA	
		REF DB	
		REF DC	
		REF DD	
		REF DE	
		REF DF	
		REF DG	
		REF DH	
		REF DI	
		REF DJ	
		REF DK	
		REF DL	
		REF DM	
		REF DN	
		REF DO	
		REF DP	
		REF DQ	
		REF DR	
		REF DS	
		REF DT	
		REF DU	
		REF DV	
		REF DW	
		REF DX	
		REF DY	
		REF DZ	
		REF EA	
		REF EB	
		REF EC	
		REF ED	
		REF EE	
		REF EF	
		REF EG	
		REF EH	
		REF EI	
		REF EJ	
		REF EK	
		REF EL	
		REF EM	
		REF EN	
		REF EO	
		REF EP	
		REF EQ	
		REF ER	
		REF ES	
		REF ET	
		REF EU	
		REF EV	
		REF EW	
		REF EX	
		REF EY	
		REF EZ	
		REF FA	
		REF FB	
		REF FC	
		REF FD	
		REF FE	
		REF FF	
		REF FG	
		REF FH	
		REF FI	
		REF FJ	
		REF FK	
		REF FL	
		REF FM	
		REF FN	
		REF FO	
		REF FP	
		REF FQ	
		REF FR	
		REF FS	
		REF FT	
		REF FU	
		REF FV	
		REF FW	
		REF FX	
		REF FY	
		REF FZ	
		REF GA	
		REF GB	
		REF GC	
		REF GD	
		REF GE	
		REF GF	
		REF GG	
		REF GH	
		REF GI	
		REF GJ	
		REF GK	
		REF GL	
		REF GM	
		REF GN	
		REF GO	
		REF GP	
		REF GQ	
		REF GR	
		REF GS	
		REF GT	
		REF GU	
		REF GV	
		REF GW	
		REF GX	
		REF GY	
		REF GZ	
		REF HA	
		REF HB	
		REF HC	
		REF HD	
		REF HE	
		REF HF	
		REF HG	
		REF HH	
		REF HI	
		REF HJ	
		REF HK	
		REF HL	
		REF HM	
		REF HN	
		REF HO	
		REF HP	
		REF HQ	
		REF HR	
		REF HS	
		REF HT	
		REF HU	
		REF HV	
		REF HW	
		REF HX	
		REF HY	
		REF HZ	
		REF IA	
		REF IB	
		REF IC	
		REF ID	
		REF IE	
		REF IF	
		REF IG	
		REF IH	
		REF II	
		REF IJ	
		REF IK	
		REF IL	
		REF IM	
		REF IN	
		REF IO	
		REF IP	
		REF IQ	
		REF IR	
		REF IS	
		REF IT	
		REF IU	
		REF IV	
		REF IW	
		REF IX	
		REF IY	
		REF IZ	
		REF JA	
		REF JB	
		REF JC	
		REF JD	
		REF JE	
		REF JF	
		REF JG	
		REF JH	
		REF JI	
		REF JJ	
		REF JK	
		REF JL	
		REF JM	
		REF JN	
		REF JO	
		REF JP	
		REF JQ	
		REF JR	
		REF JS	
		REF JT	
		REF JU	
		REF JV	
		REF JW	
		REF JX	
		REF JY	
		REF JZ	
		REF KA	
		REF KB	
		REF KC	
		REF KD	
		REF KE	
		REF KF	
		REF KG	
		REF KH	
		REF KI	
		REF KJ	
		REF KK	
		REF KL	
		REF KM	
		REF KN	
		REF KO	
		REF KP	
		REF KQ	
		REF KR	
		REF KS	
		REF KT	
		REF KU	
		REF KV	
		REF KW	
		REF KX	
		REF KY	
		REF KZ	
		REF LA	
		REF LB	
		REF LC	
		REF LD	
		REF LE	
		REF LF	
		REF LG	
		REF LH	
		REF LI	
		REF LJ	
		REF LK	
		REF LL	
		REF LM	
		REF LN	
		REF LO	
		REF LP	
		REF LQ	
		REF LR	
		REF LS	
		REF LT	
		REF LU	
		REF LV	
		REF LW	
		REF LX	
		REF LY	
		REF LZ	
		REF MA	
		REF MB	
		REF MC	
		REF MD	
		REF ME	
		REF MF	
		REF MG	
		REF MH	
		REF MI	
		REF MJ	
		REF MK	
		REF ML	
		REF MM	
		REF MN	
		REF MO	
		REF MP	
		REF MQ	
		REF MR	
		REF MS	
		REF MT	
		REF MU	
		REF MV	
		REF MW	
		REF MX	
		REF MY	
		REF MZ	
		REF NA	
		REF NB	
		REF NC	
		REF ND	
		REF NE	
		REF NF	
		REF NG	
		REF NH	
		REF NI	
		REF NJ	
		REF NK	
		REF NL	
		REF NM	
		REF NN	
		REF NO	
		REF NP	
		REF NQ	
		REF NR	
		REF NS	
		REF NT	
		REF NU	
		REF NV	
		REF NW	
		REF NX	
		REF NY	
		REF NZ	
		REF OA	
		REF OB	
		REF OC	
		REF OD	