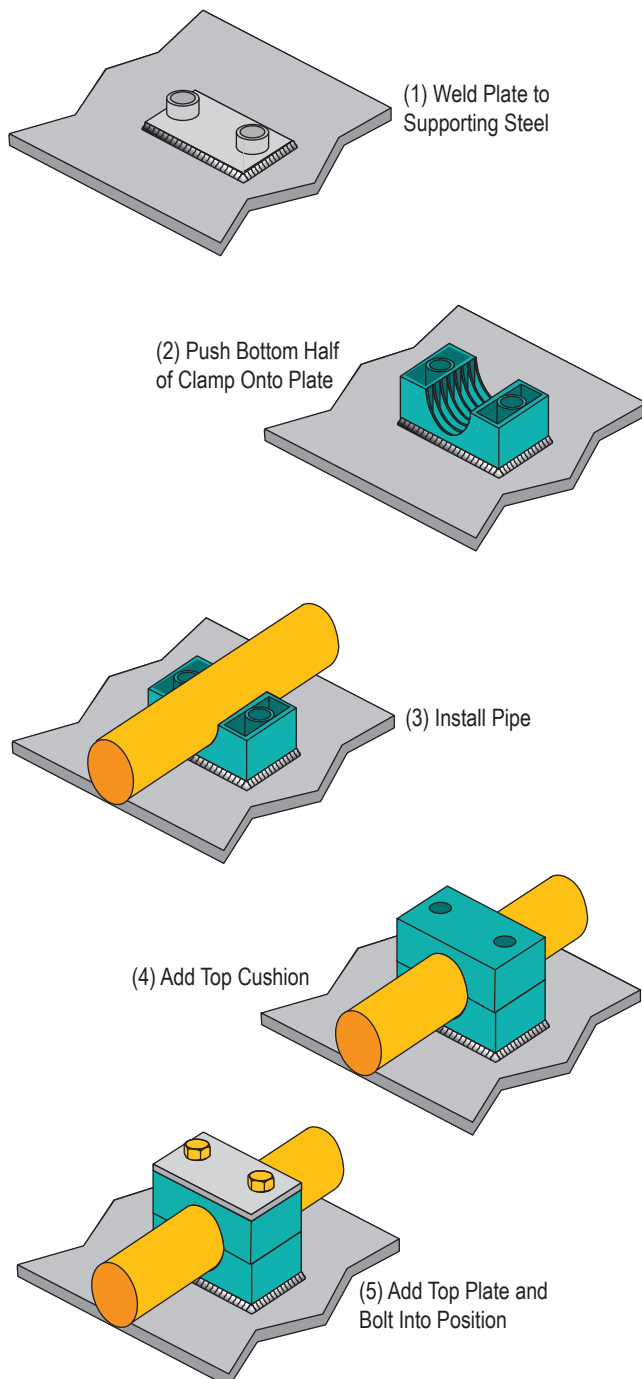


INSTALLATION ON WELD PLATES

ZSi weld plates are available for the following Series:

- Standard-Series
- Heavy-Series
- Twin-Series
- Beta Adapters

For best alignment of ZSi clamps we recommend that you mark their location before welding.



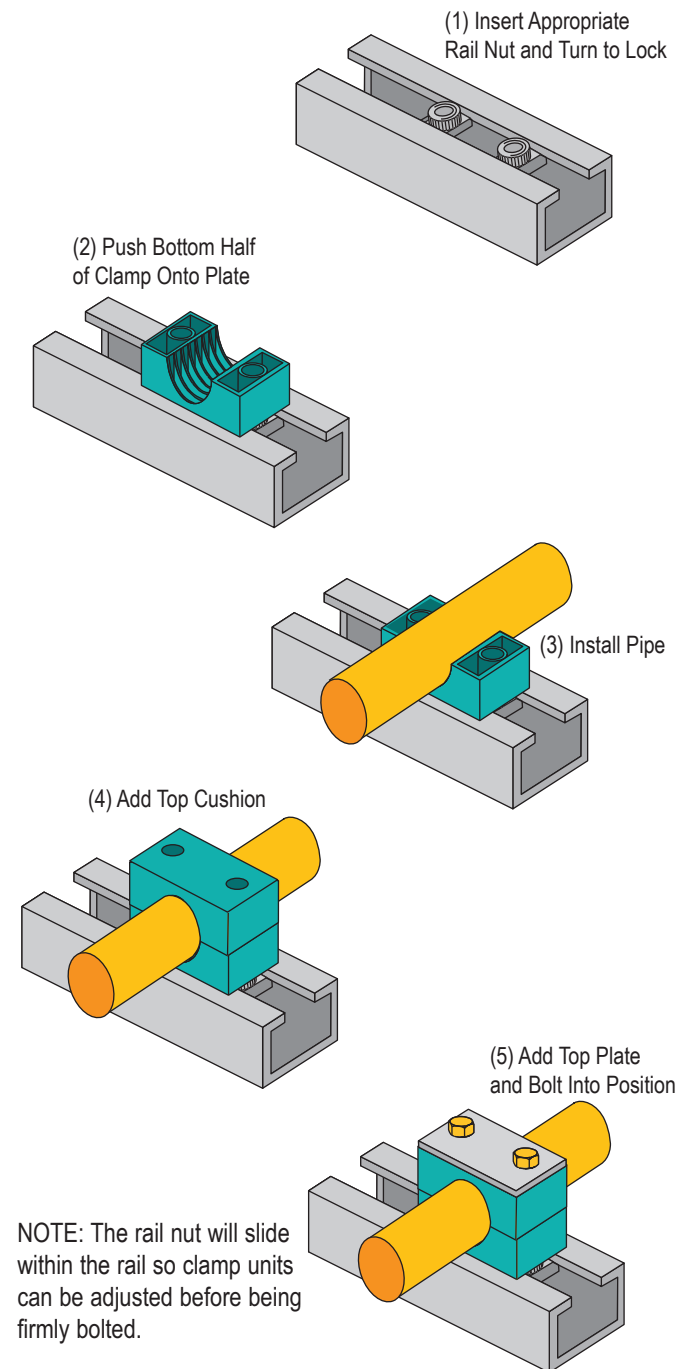
INSTALLATION ON MOUNTING RAILS

ZSi mounting rails can be used with the following Series:

- Standard-Series
- Heavy-Series (Group H3 to H6)
- Twin-Series
- Beta Adapters

ZSi mounting rails are available in two different height sizes and are either welded or bolted to the supporting construction.

For Standard-Series and Twin-Series insert hexagon rail nut and turn to lock. For Heavy-Series slide in rail nut.



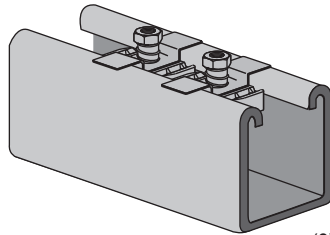
Beta Clamp Installation



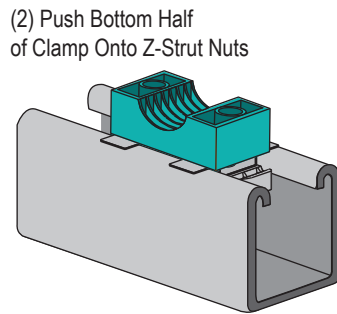
INSTALLATION ON Z-STRUT CHANNEL

The Z-Strut Nuts can be used with any clamp using a 1/4-20 mounting bolt. This includes:

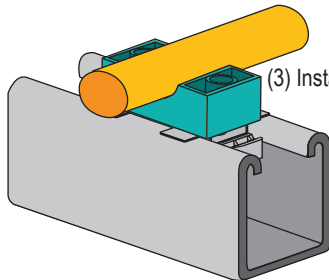
- Standard-Series
- Twin-Series (T1 Only)
- Beta Rubber Inserts



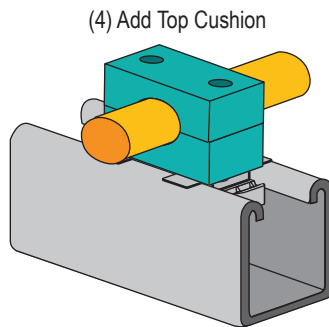
(1) Insert Z-Strut Nuts Into Z-Strut Channel And Turn to Lock



(2) Push Bottom Half of Clamp Onto Z-Strut Nuts

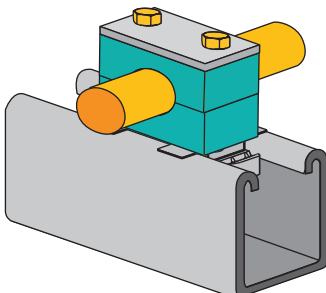


(3) Install Pipe



(4) Add Top Cushion

(5) Add Top Plate and Bolt Into Position



NOTE: The Z-Strut Nut will slide within the Z-Strut Channel so clamp units can be adjusted before being firmly bolted.

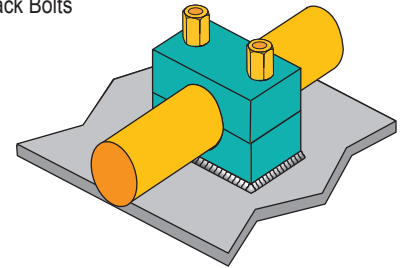
MULTI-LEVEL ASSEMBLY

ZSi multi-level pipe clamps permit easy stacking of several tubes or pipes of the same group. The clamps are connected by stacking bolts.

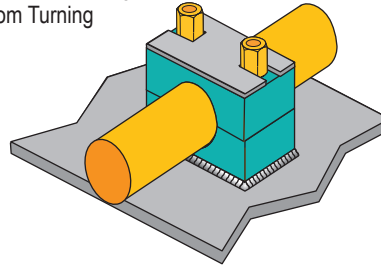
Safety plates are inserted between the clamps to prevent the stacking bolts from turning.

The example below shows a stacking clamp added to a welded clamp, however, ZSi stacking assemblies can be fitted to weld plates, rails, or strut in the same manner.

(1) After the Top Cushion is Added, Secure it with the Stack Bolts



(2) Add Safety Plate to Prevent Stacking Bolts from Turning



(2) Assemble Another Clamp Onto the Stacking Bolt in Same Manner as Single Clamps are Installed

