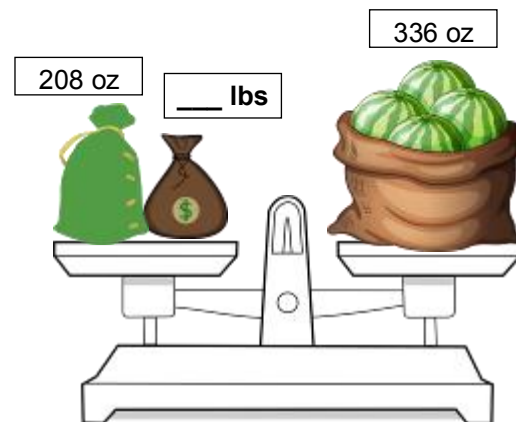
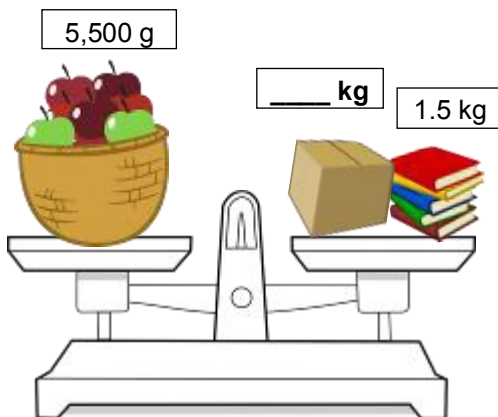
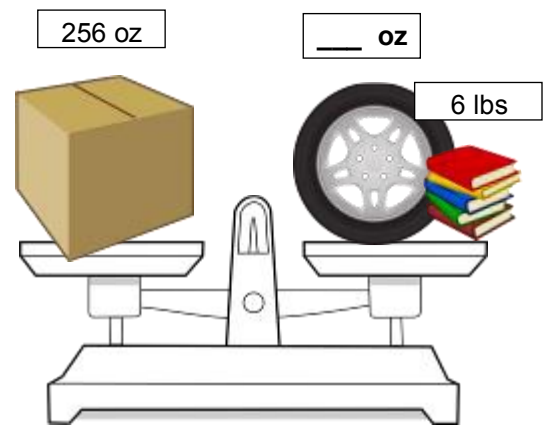
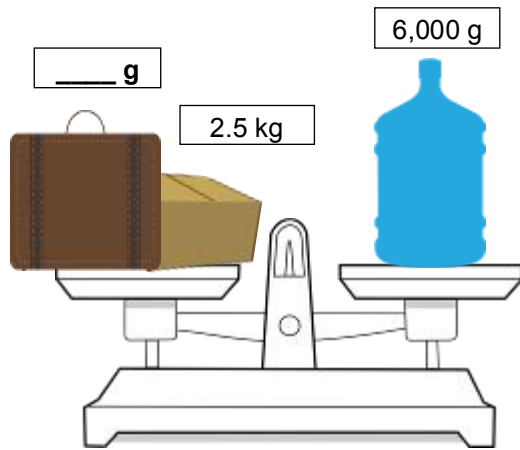
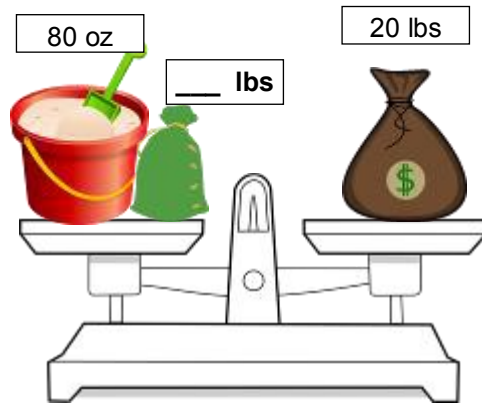
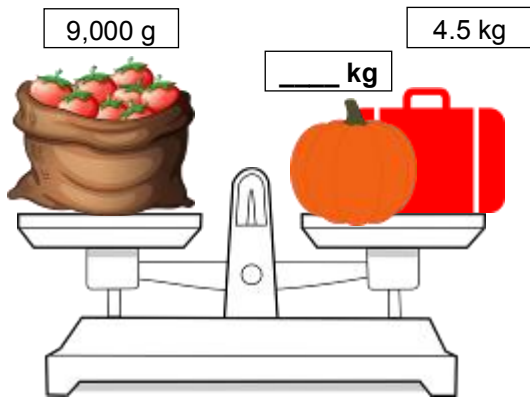


Balancing a scale (mixed units)

Grade 4 Measurement Worksheet

Make the scales balance by calculating the unknown weight.



Answers

