



# Freestanding Woodstove

Owners & Installation Manual



French Manual: <http://bit.ly/1dOkRcD>  
Manuel en Français: <http://bit.ly/1dOkRcD>

[www.regency-fire.com](http://www.regency-fire.com)

MODEL: F5100



F5100 Video

Tested by:



**Installer:** Please complete the details on the back cover and leave this manual with the homeowner.

**Homeowner:** Please keep these instructions for future reference.

Thank-you for purchasing a REGENCY FIREPLACE PRODUCT.

The pride of workmanship that goes into each of our products will give you years of trouble-free enjoyment. Should you have any questions about your product that are not covered in this manual, please contact the REGENCY DEALER in your area.

Keep those REGENCY FIRES burning.

"This wood heater has a manufacturer set minimum low burn rate that must not be altered. It is against federal regulations to alter this setting or otherwise operate this wood heater in a manner inconsistent with operating instructions in this manual." Failure to follow the manual details can lead to smoke and CO emissions spilling into the home. It is recommended to have monitors in areas that are expected to generate CO such as heater fuelling areas..

"U.S. ENVIRONMENTAL PROTECTION AGENCY Certified to comply with 2020 particulate emission standards using crib wood." Model Regency F5100 – 1.5 g /hr."

**SAFETY NOTE:** If this woodstove is not properly installed, a house fire may result. For your safety, follow the installation instructions, contact local building, fire officials, or authority having jurisdiction about restrictions and installation inspection requirements in your area.

The following statements are required by the Environmental Protection Agency:

"This manual describes the installation and operation of the Regency F5100 catalytic equipped wood heater. This heater meets the 2020 U.S. Environmental Protection Agency's crib wood emission limits for wood heaters. Under specific test conditions this heater has been shown to deliver heat at rates ranging from 11,738 BTU/hr to 41,982 BTU/hr." Efficiency is determined using the B415 method resulting in lower and higher heat values. This heater generates the best efficiency when operated using well-seasoned wood and installed in the main living areas where the majority of the chimney is within the building envelope."

"It is against federal regulation to operate this wood heater in a manner inconsistent with operating instructions in this manual, or if the catalytic element is deactivated or removed."

"This wood heater contains a catalytic combustor, which needs periodic inspection and replacement for proper operation. It is against the law to operate this wood heater in a manner inconsistent with operating instructions in this manual, or if the catalytic element is deactivated or removed."

**CAUTION: BURN UNTREATED WOOD ONLY. OTHER MATERIALS SUCH AS WOOD PRESERVATIVES, METAL FOILS, COAL, PLASTIC, GARBAGE, SULPHUR OR OIL MAY DAMAGE THE CATALYST**

"This heater is designed to burn natural wood only. Higher efficiencies and lower emissions generally result when burning air dried seasoned hardwoods, as compared to softwoods or to green or freshly cut hardwoods."

#### DO NOT BURN:

- Treated wood
- Coal
- Garbage
- Cardboard
- Solvents
- Colored Paper
- Trash
- Lawn clippings or yard waste
- Materials containing rubber including tires
- Materials containing plastic
- Waste petroleum products , paints or paint thinners or asphalt products
- Materials containing asbestos
- Construction or demolition debris
- Railroad ties
- Manure or animal remains
- Saltwater driftwood or other previously salt water saturated materials
- Unseasoned wood
- Paper products, cardboard, plywood or particle board. The prohibition against burning these materials does not prohibit the use of fire starters made from paper, cardboard, saw dust, wax and similar substances for the purpose of starting a fire in a wood heater

Burning these materials may result in release of toxic fumes or render the heater ineffective and cause smoke.

The authority having jurisdiction (such as Municipal Building Department, Fire Department, Fire Prevention Bureau, etc.) should be consulted before installation to determine the need to obtain a permit.

**Note:** Due to the high efficiency of the F5100 unit, This unit requires the use of double wall pipe from the stove top to either wall or roof exit. A minimum of 36" vertical rise is required prior to using any elbows.

This unit must be connected to either a listed factory built chimney suitable for use with solid fuels and conforming to, ULC629 in Canada or UL-103HT in the United States of America. or code approved masonry chimney with flue liner.

F5100 is tested and certified to ULC-S627-00 and UL1482-2011.

**SAVE THESE INSTRUCTIONS**

Safety Label for F5100 .....	4	Operating Instructions .....	22
Unit Dimensions .....	5	Draft Control .....	22
Residential Installation.....	6	First Fire .....	22
Modular Installation Options .....	6	Fan Operation.....	23
Room Air - Important .....	6	Ash Disposal.....	23
Stove Assembly Prior To Installation .....	7	Safety Guidelines and Warnings .....	23
Minimum Clearance To Combustible Materials .....	8	Maintenance .....	25
Wall exit Clearance Factory Built Chimney .....	10	Creosote .....	25
Masonry Chimney.....	10	Door Gasket .....	25
Masonry Fireplace.....	11	Glass Maintenance.....	25
Combustible Wall Chimney Connector Pass-throughs.....	12	Wood Storage.....	25
Step-by-step Chimney And Connector Installation.....	13	Glass Replacement .....	25
Recommended Heights For Woodstove Flue.....	14	Catalytic combustor .....	26
Mobile Home Installation .....	15	Bypass door gasket replacement .....	28
Optional outside air kit .....	16	Secondary air tube removal / installation.....	29
Listed Components For Mobile Home Installation.....	17	Door catch Adjustment .....	29
Stainless steel smoke deflector		Side baffle installation / removal.....	30
Installation / replacement:.....	18	F5100 Stove Main Assembly .....	32
Brick Installation .....	19	F5100 Stove BRICK LAYOUT .....	33
Fan Installation .....	20	Door assembly .....	34
Seasoned wood.....	21	Warranty .....	37



<http://oee.nrcan.gc.ca/residential/personal/retrofit-homes/retrofit-qualify-grant.cfm>


 We recommend that our products be installed and serviced by professionals who are certified in the U.S. by the National Fireplace Institute® (NFI) or in Canada by Wood Energy Technical Training (WETT).
 



F5100 Video

This is a copy of the label that accompanies each Regency Freestanding Woodstove (F5100). We have printed a copy of the contents here for your review.

NOTE: Regency units are constantly being improved. Check the label on the unit and if there is a difference, the label on the unit is the correct one.

**SAFETY LABEL FOR F5100**

Tested & Listed By: **UL** (UL Solutions)

OMNI-Test Laboratories, Inc.  
Report #219-S-16-2

**LISTED ROOM HEATER, SOLID FUEL TYPE, ALSO FOR USE IN MOBILE HOME INSTALLATION**

**MODEL: REGENCY FREESTANDING STOVE - F5100**

**TESTED TO: UL-1482-2011 / ULC-S627-00**

413

DO NOT REMOVE THIS LABEL

413

**INSTALL AND USE ONLY IN ACCORDANCE WITH THE MANUFACTURER'S INSTALLATION AND OPERATING INSTRUCTIONS. CONTACT LOCAL BUILDING OR FIRE OFFICIALS ABOUT RESTRICTIONS AND INSTALLATION INSPECTION IN YOUR AREA. USE 8" (203 MM) DIAMETER MINIMUM 24 MSG BLACK OR 26 MSG BLUED STEEL CONNECTOR WITH LISTED UL103 HT FACTORY-BUILT CHIMNEY SUITABLE FOR USE WITH SOLID FUELS OR MASONRY CHIMNEY. DOUBLE WALL CONNECTOR ONLY.**

**SEE LOCAL BUILDING CODE AND MANUFACTURER'S INSTRUCTIONS FOR PRECAUTIONS REQUIRED FOR PASSING A CHIMNEY THROUGH A COMBUSTIBLE WALL OR CEILING. DO NOT PASS CHIMNEY CONNECTOR THROUGH COMBUSTIBLE WALL OR CEILING. DO NOT CONNECT THIS UNIT TO A CHIMNEY FLUE SERVING ANOTHER APPLIANCE.**

**CAUTION: BURNING OF MATERIAL OTHER THAN THE SPECIFIED FUELS MAY MAKE THE CATALYST IN THE COMBUSTOR INACTIVE. THE COMBUSTOR IS FRAGILE, HANDLE CAREFULLY.**

**THE PERFORMANCE OF THE CATALYTIC DEVICE OR ITS DURABILITY HAS NOT BEEN EVALUATED AS PART OF THE CERTIFICATION.**

**INSTALLER ET UTILISER SEULEMENT SELON LES INSTRUCTIONS D'INSTALLATION ET D'UTILISATION DU FABRICANT.**

**CONTACTER LES RESPONSABLES DU BÂTIMENT OU DU SERVICE INCENDIE DE VOTRE RÉGION POUR CONNAÎTRE LES RESTRICTIONS ET EXIGENCES D'INSPECTION DANS VOTRE RÉGION. UTILISER UN CONNECTEUR D'UN DIAMÈTRE MINIMAL DE 203 MM (8PO) 24 MSG EN ACIER NOIR OU 26 MSG EN ACIER BRONZÉ AVEC CHEMINÉE PRÉFABRIQUÉE HOMOLOGUÉE.**

**NE PAS TRAVERSER UN MUR OU PLAFOND EN MATÉRIEAUX COMBUSTIBLES. NE RACCORDEZ PAS CE POÊLE À BOIS À UN CONDUIT DE CHEMINÉE DESSERVANT UN AUTRE APPAREIL.**

**CERTIFICATION DU MAISON MOBILE. APPAREIL DE CHAUFFAGE AMBIANT HOMOLOGUÉ À COMBUSTIBLE SOLIDE, CONVENU AUSSI POUR L'INSTALLATION DANS UNE MAISON MOBILE.**

MINIMUM CLEARANCES TO COMBUSTIBLE MATERIALS	
INSTALLATION USING 8" LISTED DOUBLE WALL CONNECTOR ONLY: RESIDENTIAL, ALCOVE, MOBILE HOME	
To Top of Slope: A) 279mm / 11"	To Flux Centre Line: E) 435mm / 17-1/8"
To Rear Shield: B) 254mm / 10"	To Flux Centre Line: F) 572mm / 22-1/2"
To Corner of Stove: C) 203mm / 8"	Alcove width: G) 1600mm / 63"
To Flux Centre Line: D) 648mm / 25-1/2"	To Top of Flue: H) 152mm / 6"

**FLOOR PROTECTION\***

In USA:  
V 203 mm / 8"  
W 406 mm / 16"  
X 1143 mm / 45"  
Y 1248 mm / 49-1/8"  
Z 152 mm / 6"

In Canada:  
V 203 mm / 8"  
W 450 mm / 18"  
X 1143 mm / 45"  
Y 1349 mm / 53-1/8"  
Z 203 mm / 8"

MINIMUM PARALLEL / ALCOVE CEILING HEIGHT: 2.1 M / 8'3"

HAUTEUR MINIMALE DU PLAFOND DE L'ALCÔVE : 2.1 M / 8'3PO.

MAXIMUM ALCOVE DEPTH 1219 MM / 48 IN.

PROFONDEUR MAXIMALE DE L'ALCÔVE : 1219MM / 48 PO.

**MANUFACTURED BY:**  
**REGENCY FIREPLACE PRODUCTS**  
6508 VENTURE ST.  
DELTA, BC V4G 1H4

**MADE IN CANADA**

THE SPACE BENEATH THE HEATER MUST NOT BE OBSTRUCTED. OPERATE ONLY WITH FIREBRICKS IN PLACE. FOR USE WITH SOLID WOOD FUEL ONLY. USE OF OTHER FUELS MAY DAMAGE HEATER AND CREATE A HAZARDOUS CONDITION. DO NOT OBSTRUCT COMBUSTION AIR OPENINGS. OPERATE ONLY WITH FIREBRICKS IN PLACE. RISK OF SMOKE AND FLAME SPILLAGE. OPERATE ONLY WITH DOORS FULLY CLOSED. DO NOT USE GRATE OR ELEVATE FIRE. BUILD WOOD FIRE DIRECTLY ON HEARTH. DO NOT OVERFIRE - IF HEATER OR CHIMNEY CONNECTOR GLOWS YOU ARE OVERFIRING. INSPECT AND CLEAN CHIMNEY AND CONNECTOR FREQUENTLY. UNDER NO CONDITIONS OF USE CREOSOTE BUILDUP MAY OCCUR RAPIDLY. KEEP FURNISHINGS AND OTHER COMBUSTIBLE MATERIAL AWAY FROM HEATER. REPLACE GLASS ONLY WITH NEOCERAM GLASS. COMBUSTIBLE FLOOR MUST BE PROTECTED BY NON-COMBUSTIBLE MATERIAL EXTENDING BENEATH THE HEATER AND TO THE FRONT AND SIDES AS INDICATED OR TO THE NEAREST PERMITTED COMBUSTIBLE MATERIAL. OPTIONAL COMPONENTS: FAN (846-915), ELECTRICAL RATING: VOLTS 115, 60 HZ, 2 AMPS. AIRMATE, OUTSIDE AIR KIT, ASH DRAWER, COMBUSTOR PART #951-530

THIS WOOD HEATER CONTAIN A CATALYTIC COMBUSTOR WHICH REQUIRES PERIODIC INSPECTION AND REPLACEMENT FOR PROPER OPERATION. IT IS AGAINST THE LAW TO OPERATE THIS WOOD HEATER IN A MANNER INCONSISTENT WITH OPERATING INSTRUCTIONS IN INSTRUCTION MANUAL. OR IF THE CATALYTIC ELEMENT IS DEACTIVATED OR REMOVED.

**DANGER: RISK OF ELECTRIC SHOCK. DISCONNECT POWER BEFORE SERVICING UNIT. DO NOT ROUTE POWER CORD UNDER OR IN FRONT OF APPLIANCE.**

**CAUTION: MOVING PARTS MAY CAUSE INJURY. DO NOT OPERATE UNIT WITH FAN HOUSING REMOVED.**

**CAUTION: HOT PARTS. DO NOT OPERATE UNIT WITH DOOR OR GLASS REMOVED.**

COMPONENTS REQUIRED FOR MOBILE HOME INSTALLATION: OUTSIDE AIR KIT AND ONE OF THE FOLLOWING DOUBLE WALL CONNECTOR

IN CANADA: LISTED SECURITY MODEL DP OR OLIVER MACLEOD PRO-VENT PV DOUBLE WALLED CONNECTOR WITH LISTED CHIMNEY SYSTEM: LISTED SECURITY MODEL (SECURITY S2100+, ICC EXCEL 2100, SIMPSON DURA-PLUS HTC, SELKIRK SENTINAL CF.

IN USA: LISTED DOUBLE WALL CONNECTORS SECURITY MODEL DP, SELKIRK MODEL DS, OLIVER MACLEOD PRO-VENT PV, SIMPSON DURA VENT MODEL DVL, METAL-FAB DOUBLE WALL. CONNECTED TO ONE OF THE FOLLOWING COMPATIBLE CHIMNEY SYSTEMS: SELKIRK SURE-TEMP PROJET (Rove Temp), SECURITY SECURE TEMP (ASH+), SECURITY SECURE TEMP S-2100+, METAL-FAB TEMP/SHIELD 2100, AMERI-TEC HS, ICC EXCEL 2100. USE CHIMNEY COMPONENTS AS SPECIFIED IN INSTALLATION INSTRUCTIONS.

HAUTEUR MINIMALE DU PLAFOND DE L'ALCÔVE : 2.1 M / 8'3PO. PROFONDEUR MAXIMALE DE L'ALCÔVE : 1219 MM / 48 PO.

L'ESPACE SOUS LE CHAUFFAGE NE DOIT PAS ÊTRE OBSTRUÉ. UTILISEZ SEULEMENT AVEC DES BRIQUES EN PLACE.

POUR UTILISATION AVEC BOIS SOLIDE SEULEMENT. L'UTILISATION D'AUTRES COMBUSTIBLES PEUT ENDOMMAGER LE POÊLE ET CRÉER UNE CONDITION DANGÉREUSE. L'ESPACE AU-DESSOUS DU POÊLE NE DOIT PAS ÊTRE OBSTRUÉ. UTILISER SEULEMENT AVEC LES BRIQUES RÉFRACTAIRES EN PLACE.

NE PAS SURCHAUFFER - SI LE POÊLE OU LE CONNECTEUR DE CHEMINÉE SE MET À ROUGIR, VOUS SURCHAUFFEZ. INSPECTEZ ET NETTOYEZ FREQUENTEMENT LA CHEMINÉE ET LE CONNECTEUR. EN CERTAINES CONDITIONS D'UTILISATION, UN DÉPÔT DE CREOSOTE PEUT SE FORMER RAPIDEMENT. GARDEZ LES MEUBLES ET AUTRES MATÉRIEAUX COMBUSTIBLES ÉLOIGNÉS DU POÊLE.

REMPLACEZ LA VITRE SEULEMENT PAR DU VERRE EN NEOCERAM.

LE PLANCHER COMBUSTIBLE DOIT ÊTRE PROTÉGÉ PAR DES MATÉRIEAUX NON COMBUSTIBLES DÉPASSANT DU DESSOUS, DU DEVANT ET DES CÔTÉS DU POÊLE. TEL QU'INDIQUÉ, OU JUSQU'AU MATÉRIEL COMBUSTIBLE LE PLUS PRÈS PERMIS.

COMPONENTS OPTIONNELS: VENTILATEUR (846-915), ÉVALUATION ÉLECTRIQUE: VOLTS 115, 60 HZ, 2 AMPS. AIRMATE, OUTSIDE AIR KIT, CENDRIER, COMBUSTOR (PART NO. 051-530)CETTE APPAREILLE À BOIS CONTIENT UNE CHAMBRE DE COMBUSTION CATALYTIQUE. QUI A BESOIN D'INSPECTION ET DE REMPLACEMENT PÉRIODIQUER POUR LE FONCTIONNEMENT APPROPRIÉ. CONSULTER LE MANUEL D'INSTALLATION POUR PLUS AMPLES INFORMATION. IL EST CONTRE LA LOI D'ACTIVATIONNEUR CETTE APPAREILLE À BOIS EN QUELQUE SORTE CON TRADICTOIRE AVE LES CONSIGNES D'UTILISATION DU MANUEL, OU SI L'ÉLÉMENT CATALYTIQUE EST ENLEVÉ OU DÉACTIVÉ.

ATTENTION: RISQUE DU CHOC ÉLECTRIQUE. AVANT DE L'ENTRETIEN, DÉBRANCHER L'APPAREIL. NE PLACEZ PAS LE CORDON D'ALIMENTATION EN FACE OU EN DESSOUS DE L'APPAREIL.

REMARQUE: D'ÉPLACER LES PIÈCES PEUVENT CAUSER LES BLESSURES. L'APPAREIL NE DEVRAIT JAMAIS ÊTRE UTILISÉ LORSQUE FAN HOUSING IS REMOVED

REMARQUE: TEMPÉRATURES ÉLEVÉES. NE JAMAIS FAIRE FONCTIONNER L'APPAREIL SI LA PORTE VITRÉE N'EST PAS BIEN EN PLACE.

COMPONENTS EXIGÉS POUR L'INSTALLATION DANS UNE MAISON MOBILE : KIT DE PRISE D'AIR EXTÉRIEUR ET L'UN DES CONNECTEURS DE CHEMINÉE À DOUBLE PAROI SUIVANTS :

AU CANADA: CONNECTEURS DE CHEMINÉE HOMOLOGUÉS À DOUBLE PAROI : LISTED SECURITY MODEL DP, OR OLIVER MACLEOD PRO-VENT PV DOUBLE WALLED CONNECTOR WITH LISTED CHIMNEY SYSTEM: LISTED SECURITY MODEL SECURITY S2100+, ICC EXCEL 2100, SIMPSON DURA-PLUS HTC, SELKIRK SENTINAL CF.

AUX ÉTATS-UNIS : CONNECTEURS DE CHEMINÉE HOMOLOGUÉS À DOUBLE PAROI: SECURITY MODEL DP, SELKIRK MODEL DS, OLIVER MACLEOD PRO-VENT PV, SIMPSON DURA VENT MODEL DVL, METAL-FAB DOUBLE WALL. CONNECTÉ À L'UN DES SYSTÈMES DE CHEMINÉE COMPATIBLES SUIVANTS: SELKIRK SURE-TEMP PROJET (Rove Temp), SECURITY SECURE TEMP (ASH+), SECURITY SECURE TEMP S-2100+, METAL-FAB TEMP/SHIELD 2100, AMERI-TEC HS, ICC EXCEL 2100.

UTILISER LES COMPOSANTS DE CHEMINÉE SPÉCIFIÉS DANS LES INSTRUCTIONS D'INSTALLATION.

**CAUTION**

**HOT WHILE IN OPERATION DO NOT TOUCH. KEEP CHILDREN, CLOTHING AND FURNITURE AWAY. CONTACT MAY CAUSE SKIN BURNS. READ NAMEPLATE AND INSTRUCTIONS.**

**ATTENTION**

**CHAUD LORS DE FONCTIONNEMENT.**

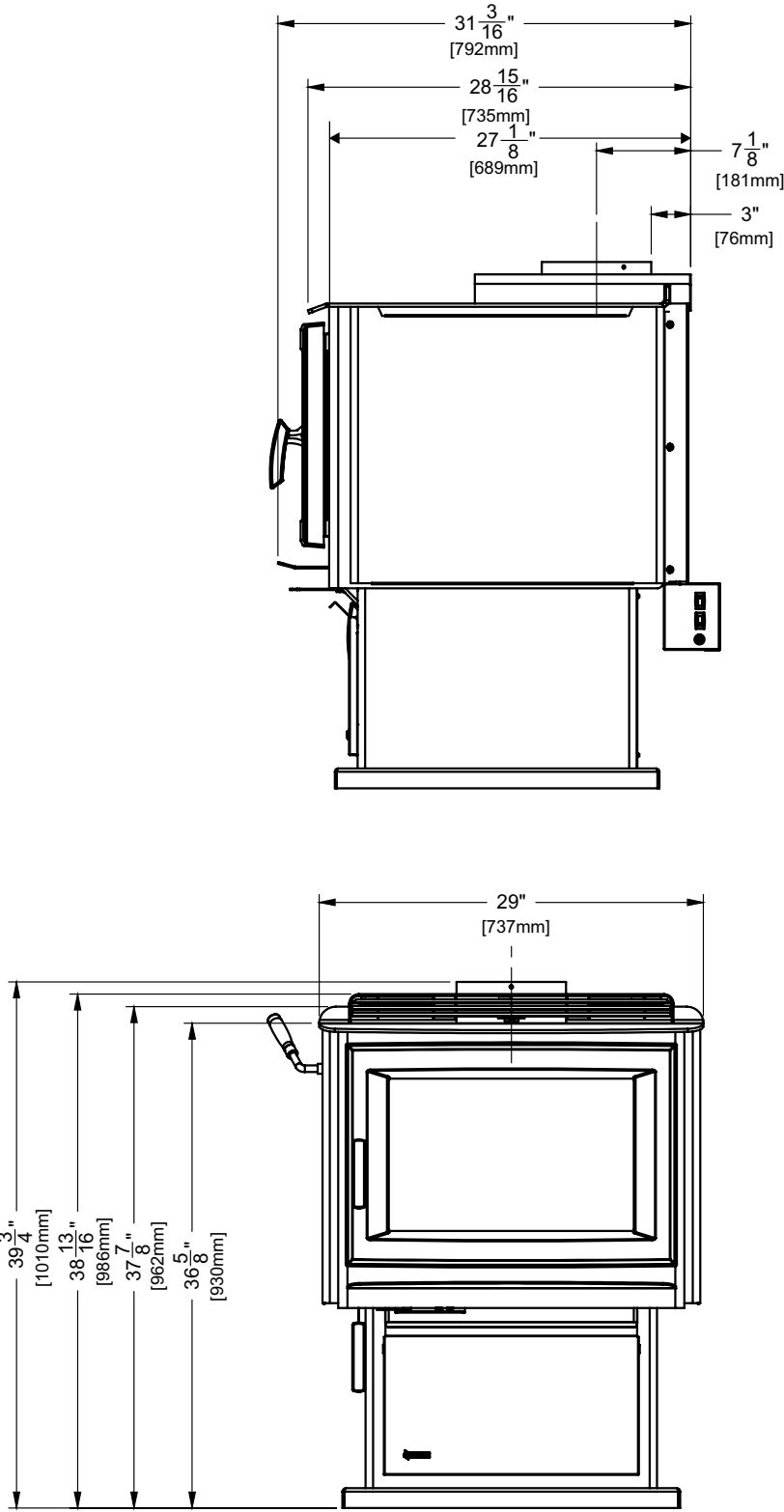
**NE TOUCHER PAS. GARDEZ LES ENFANTS, VÊTEMENTS ET MEUBLES AU LOIN. LE CONTACT AVEC LE PEAU PEUT OCCASIONNER DES BRÛLURES CUTANÉES. LIRE CETTE ÉTIQUETTE.**

919-169a 1

DATE OF MANUFACTURE 2015 2016 2017

JAN FEB MAR APR MAY JUN JUL AUG SEPT OCT NOV DEC

UNIT DIMENSIONS



# 6 | installation

## RESIDENTIAL INSTALLATION

1. Please read this entire manual before you install and use your new woodstove. Failure to follow instructions may result in property damage, bodily injury or even death. Be aware that local Codes and Regulations may override some items in this manual. Check with your local inspector.
2. Select a position for your Regency Stove. Consult the minimum clearance chart for your model and set the stove in place. For installation use listed double wall connector systems only.
3. To insure vertical alignment, suspend a plumb bob from the ceiling over the exact center of your stove flue and mark a spot on the ceiling to indicate the center of the chimney.
4. Check that the area above the ceiling is clear for cutting. Re-confirm the clearance from the stove to combustibles to insure that they are within the prescribed limits.
5. This woodstove must be connected to a UL 103 HT (ULC S629) listed chimney or a code approved masonry chimney with a flue liner.

Space heater is to be connected to a factory built chimney conforming to CAN/ULC-5629 standard for 650C factory built chimneys. The chimney requirement is 8", refer to appropriate sections in this manual for specifics.

6. Install chimney according to chimney manufacturers instructions. The performance of your woodstove is governed to a very large part by the chimney system. Too short a chimney can cause difficult start-up, dirty glass, back smoking when door is open, and even reduced heat output.

Too tall a chimney may prompt excessive draft which can result in very short burn times and excessive heat output. The use of an inexpensive flue pipe damper may be helpful in reducing excessive draft.

**CAUTION:** The chimney should be the same size as the 8" flue outlet on the stove. The chimney must be listed as suitable for use with solid fuels. For other types of chimneys check with your local building code officials. Do not confuse a chimney with a type "B" Venting System used for gas appliances as suitable for a wood burning appliance. For Mobile Home installations refer to that section within this manual.

7. Mark the location of the pedestal base or legs on the floor, then move the stove aside and mark the position of the floor protector.
8. The floor protector must be of non-combustible material and must extend 16" (406mm) in front of the door opening and 8" (203mm) to the sides and rear of the unit. Some areas may require a larger size floor protector. See your local inspector. For outside air installation refer to Mobile Home installation instructions within this manual.

**NOTE:** In Canada, floor protection must extend 18" (450mm) to the front and 8" (203mm) to each side and back of the stove.

9. When the floor protection is complete, position the stove with the flue collar centered under the installed chimney.

### ROOM AIR - IMPORTANT

For installation using room air for combustion, remove knockout from the pedestal. Mobile home installations require the use of outside air.

Fresh air is important - if heater is starved for air caused by exhaust fans or icing, the unit will not operate properly.

On pedestal units there are two locations where outside air may be adapted to the unit. If using the bottom of the pedestal, do not remove knockout from the rear of the pedestal. Only remove rear knockout if outside air will be brought in from the rear.

**Note:** Once the knockout is removed there are two tabs remaining. Bend both tabs out for ease of installation of outside air kit.

10. In areas with frequent seismic activity, Regency recommends that your unit is secured to the floor by using the bolt down holes inside the pedestal (the same ones used in Mobile Home installations).
11. For residential installations 8" double wall chimney only, the chimney connector must be at least 24 gauge steel. Do not use galvanized pipe. For Mobile Home installation refer to the Mobile Home installation instructions within this manual.
12. **DO NOT CONNECT THIS UNIT TO A CHIMNEY SERVING ANOTHER APPLIANCE.**
13. A chimney connector cannot pass through an attic or roof space, closet or similar concealed space, or a floor, ceiling, wall or partition of combustible construction. In Canada, if passage through a wall, or partition of combustible construction is desired, the installation shall conform to CAN/CSA-B365, Installation Code for Solid-Fuel-Burning Appliances and Equipment.
14. Your Regency Woodstove is not to be connected to any air distribution duct.

Emissions from burning wood or gas could contain chemicals known to the State of California to cause cancer, birth defects or other reproductive harm.

**CAUTION:**  
Do not alter or makeshift chimney or install. Install as per Manual.

MODULAR INSTALLATION OPTIONS	
WARNING: ONLY USE SPECIFIED COMPONENTS. The following items are required when assembling your Regency Stove. F5100 unit - the Rear Heat Deflector is supplied with the stove, but if you choose not to use it you must use the Airmate instead.	
Modular Part	See the Minimum Clearance to Combustible Materials chart in the Installation section of this manual
F5100 Airmate OR Rear Heat Deflector	Convection heat with Airmate vs. Radiant Heat with Rear Heat Deflector. The Airmate pushes heat forward out into the room, the Rear Heat Deflector deflects the heat upward. Refer to the Installation sections within this manual.
OPTIONS: These can be installed at time of installation or added later:	
Blower/Fan	Adding the blower will increase the area heated by the stove, it can move warm air beyond the room where the stove is located.
Ash Drawer Kit	Adding the Ash Drawer Kit makes cleaning ashes out of the stove easier and cleaner (refer to Bottom Shield Ash Drawer Kit, Installation section).
Airmate	The Airmate pushes heat forward out into the room.
Outside Air Kit	Draw combustion air from the outside of dwelling.

## STOVE ASSEMBLY PRIOR TO INSTALLATION

The F5100 unit requires the pedestal attached to the base. The F5100 stove requires either the Airmate or Rear Heat Deflector on top of the stove. Clearances to combustible materials vary depending on whether the airmate or rear heat deflector is installed, so be sure to check the Minimum Clearances, Installation section.

### Airmate Assembly for F5100

1. The airmate sits on top of the stove with the slots in the sides fitting over the curved deflector on the rear stove top. See diagram 1. Discard the Rear Heat Deflector that is supplied with the unit, it is not required if the airmate is installed.
2. Center the airmate and push it forward to the front of the stove. The back of the airmate should be level with the back and sides of the rear heat shield. See Diagrams 2 & 3.

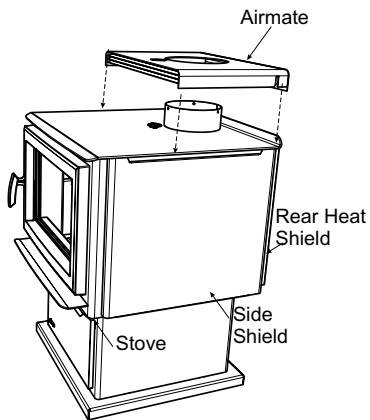


Diagram 1

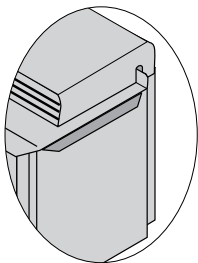


Diagram 2

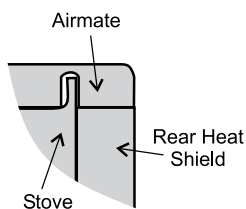


Diagram 3

### Rear Heat Deflector Assembly for F5100

The rear heat deflector is supplied with the stove and must be installed unless the optional airmate has been selected. It stops the heat radiated from the flue collar from overheating the rear wall. The rear heat deflector is installed on top of the rear heat shield, as shown in Diagram 4.

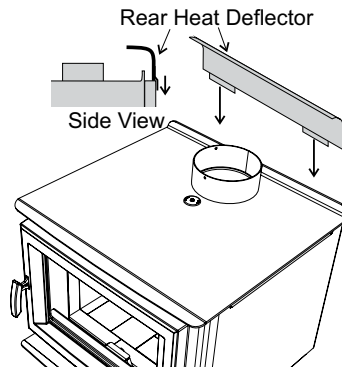


Diagram 4

### Side Shield Adjustment

The left and right side shields are lowered for shipping and handling. It allows for a handhold on the top of the stove. Before placing in the Step Stove in its final position, the side shields must be raised.

Loosen the screws on the rear on the stove (3 per side), slide the side panel up as far as possible and then secure by tightening the screws.

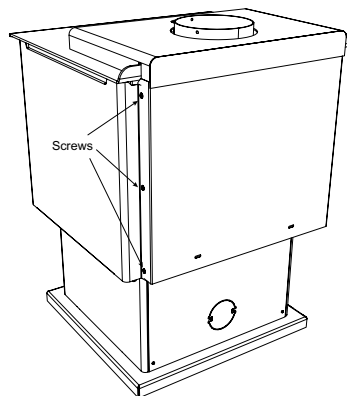


Diagram 5

### Logo Installation

1. Push the Regency logo into the two holes in the front bottom left corner of the pedestal cover plate.

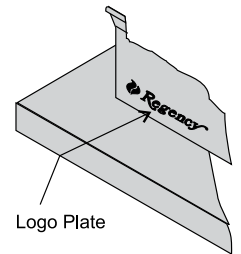


Diagram 6

Note: Any paint touch up should be done prior to placing logo on pedestal.

2. If not using ash drawer, then cover plate must be installed.

# 8 | installation

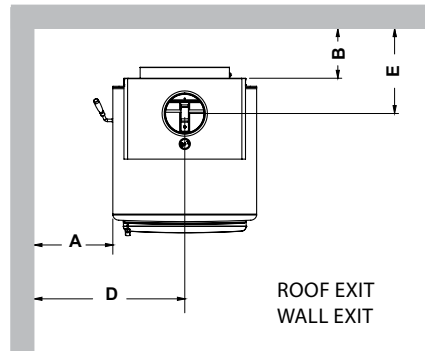
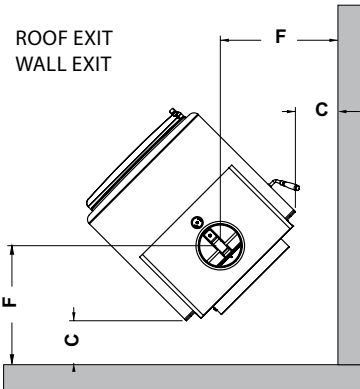
## MINIMUM CLEARANCE TO COMBUSTIBLE MATERIALS

Please read the section below carefully as clearances depend on whether the Airmate or the Rear Heat Deflector is installed on the stove. Measurements "From Unit" are from the top plate of the stove to a side wall or to a corner, and from the rear heat shield to a back wall.

Clearances may only be reduced by means approved by the regulatory authority.

Note: Minimum ceiling height roof exit - 83" (2108 mm)

NOTE: This clearance is also required for air space between the appliance and wall/ceiling.



NOTE: Approved with Listed Double Wall pipe only. Do not use single wall pipe.

NOTE: Be aware that local Codes and Regulations may override some clearances listed in this manual. Check with your local inspector.

NOTE: Clearances to combustibles are for the safety of the property. To avoid overheating and damaging the appliance these clearances should be maintained for non-combustibles also.

**Residential Close Clearance (To be installed with required pipe components) Listed Double Wall Pipe**  
 When the stove is installed as a close clearance residential unit, a listed double wall connector is required from the stove collar to the ceiling level.

F5100	with Airmate or Rear Deflector	A	B	C	D	E	F
		11" 279mm	10" 254mm	8" 203mm	25-1/2" 648mm	17-1/8" 435mm	22-1/2" 572mm

**Mobile Home Close Clearance (To be installed with required pipe components) Listed Double Wall Pipe**  
 When the stove is installed as a close clearance residential unit, a listed double wall connector is required from the stove collar to the ceiling level. Refer to Mobile Home Installation in this manual.

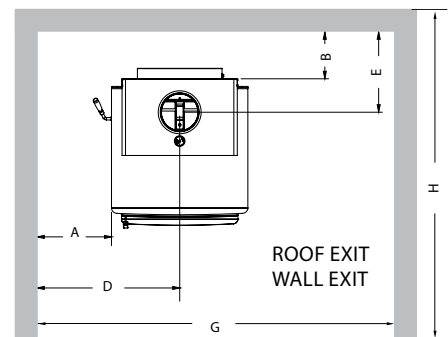
F5100	with Airmate or Rear Deflector	A	B	C	D	E	F
		11" 279mm	10" 254mm	8" 203mm	25-1/2" 648mm	17-1/8" 435mm	22-1/2" 572mm"

### Minimum Alcove Clearance to Combustible Materials

The Regency Freestanding models have been alcove approved and must be installed with a listed double wall connector to the ceiling level.

Note: Minimum alcove ceiling height - 83" (2108 mm) Vertical Termination}  
 H = Maximum depth of alcove - 48" (1219 mm)  
 G = Minimum width of alcove - 63" (1600 mm)

NOTE: This clearance is also required for air space between the appliance and wall/ceiling.





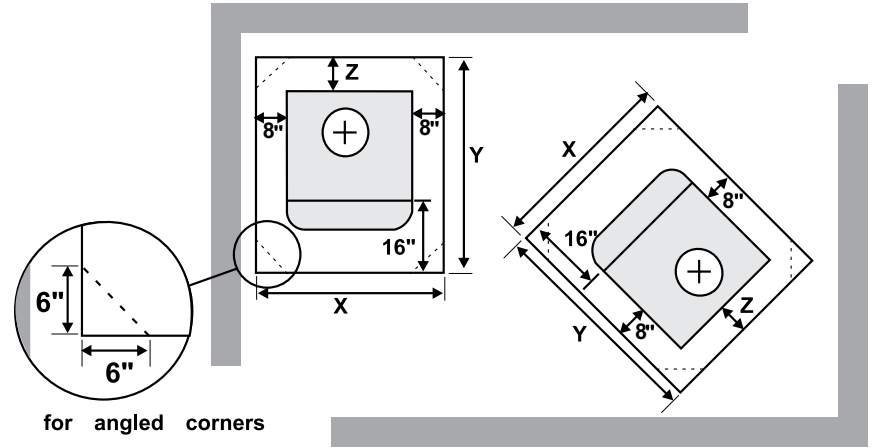
**FLOOR PROTECTION (EMBER PROTECTION ONLY REQUIRED)**

A combustible floor must be protected by non-combustible material (like tile, concrete board, or certified to UL-1618 or as defined by local codes) extending beneath the heater and a minimum of 8" (203mm) from each side and minimum 16" (406mm) from the front face of the stove and minimum 6" (or the rear clearance to combustibles whichever is smaller) from the rear of the stove.

When installed with horizontal venting, non-combustible floor protection must beneath the flue pipe and extend 2" (51mm) beyond each side.

Minimum Overall Width (X) of Floor Protector for all installations:

Stove F5100 45" (1143 mm)



NOTE: In Canada, floor protection must extend 18" (450mm) to the front and 8" (203mm) to each side and back of the stove.

Minimum Overall Depth (Y) of Floor Protector						
Unit	Residential Close Clearance		Mobile Home Close Clearance		Alcove	
	Y	Z	Y	Z	Y	Z
USA	49-1/8"	8"	49-1/8"	8"	49-1/8"	8"
Canada	53-1/8"	8"	53-1/8"	8"	53-1/8"	8"

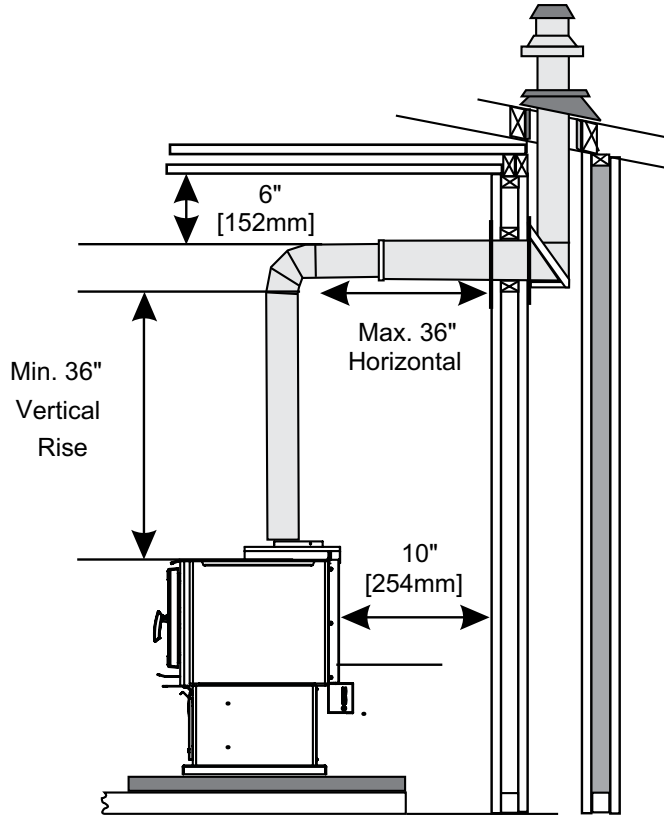
The rear clearance to combustibles is less than 6" (for corner installations the rear corners may be angled to take advantage of the closer clearances).

### WALL EXIT CLEARANCE FACTORY BUILT CHIMNEY

When a metal prefabricated chimney is used, the manufacturer's installation instructions must be followed. You must also purchase and install the ceiling support package or wall pass-through and "T" section package, firestops (where needed), insulation shield, roof flashing, chimney cap, etc. Maintain proper clearance to the structure as recommended by the manufacturer. The chimney must be the required height above the roof or other obstructions for safety and proper draft operation.

Minimum vertical of 36" before any offset.  
 Horizontal Maximum of 36" with 1/4" rise per foot.

NOTE: Recommend using 2-45° instead of 90° to improve draft and performance.

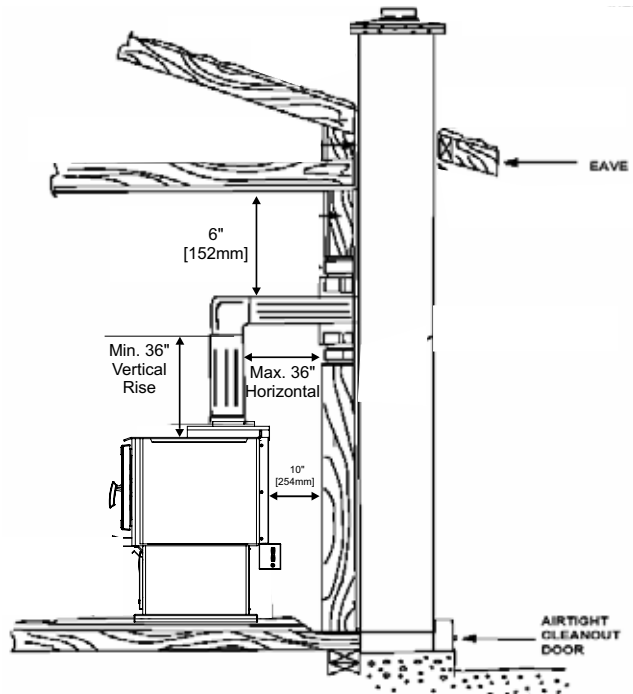


### MASONRY CHIMNEY

Ensure that a masonry chimney meets the minimum standards of the National Fire Protection Association (NFPA) by having it inspected by a professional. Make sure there are no cracks, loose mortar or other signs of deterioration and blockage. Have the chimney cleaned before the stove is installed and operated. When connecting the stove through a combustible wall to a masonry chimney, special methods are needed.

Minimum vertical of 36" before any offset.  
 Horizontal Maximum of 36" with 1/4" rise per foot.

NOTE: Recommend using 2-45° instead of 90° to improve draft and performance.

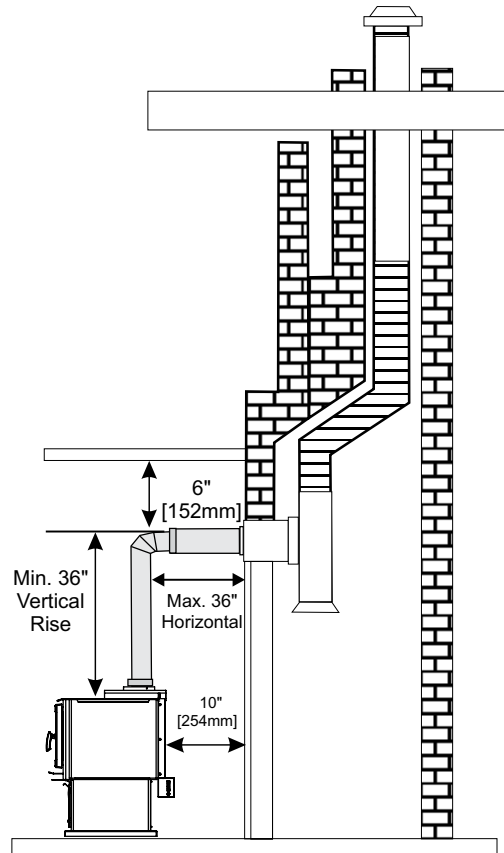


## MASONRY FIREPLACE

There are listed kits available to connect a stove to a masonry fireplace. The kit is an adapter that is installed at the location of the fireplace damper. The existing damper may have to be removed to allow installation.

Minimum vertical of 36" before any offset.  
 Horizontal Maximum of 36" with 1/4" rise per foot.

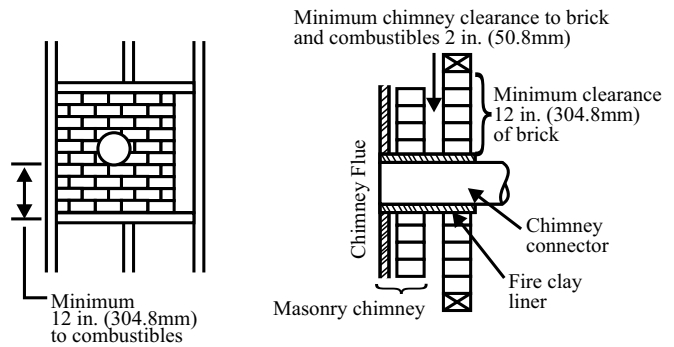
NOTE: Recommend using 2-45° instead of 90° to improve draft and performance.



COMBUSTIBLE WALL CHIMNEY CONNECTOR PASS-THROUGHS

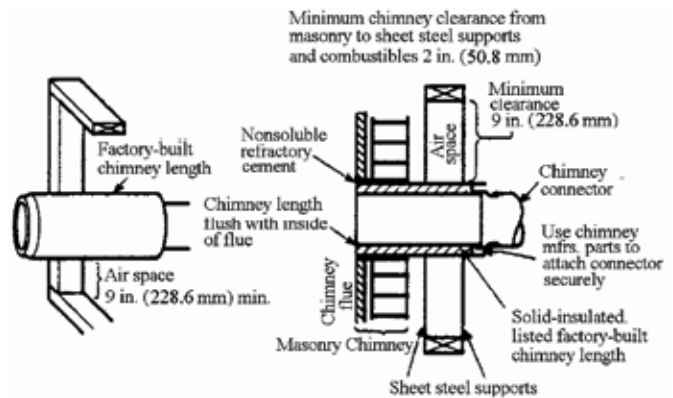
Method A: 12" (304.8 mm) Clearance to Combustible Wall Member:

Using a minimum thickness 3.5" (89 mm) brick and a 5/8" (15.9 mm) minimum wall thickness clay liner, construct a wall pass-through. The clay liner must conform to ASTM C315 (Standard Specification for Clay Fire Linings) or its equivalent. Keep a minimum of 12" (304.8 mm) of brick masonry between the clay liner and wall combustibles. The clay liner shall run from the brick masonry outer surface to the inner surface of the chimney flue liner but not past the inner surface. Firmly grout or cement the clay liner in place to the chimney flue liner.



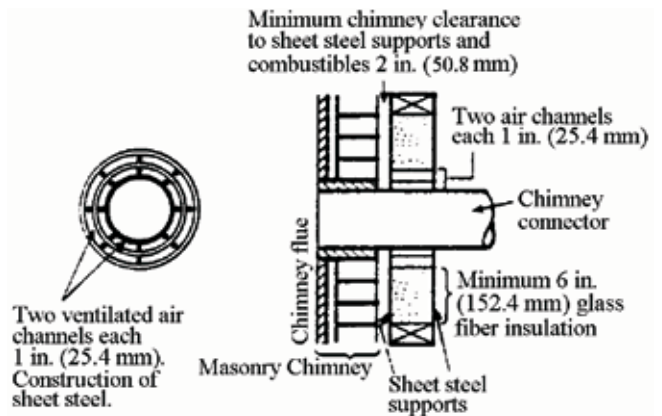
Method B: 9" (228.6 mm) Clearance to Combustible Wall Member:

Using a 8" (203.2 mm) inside diameter, listed, factory-built Solid-Pak chimney section with insulation of 1" (25.4 mm) or more, build a wall pass-through with a minimum 9" (228.6 mm) air space between the outer wall of the chimney length and wall combustibles. Use sheet metal supports fastened securely to wall surfaces on all sides, to maintain the 9" (228.6 mm) air space. When fastening supports to chimney length, do not penetrate the chimney liner (the inside wall of the Solid-Pak chimney). The inner end of the Solid-Pak chimney section shall be flush with the inside of the masonry chimney flue, and sealed with a non-water soluble refractory cement. Use this cement to also seal to the brick masonry penetration.



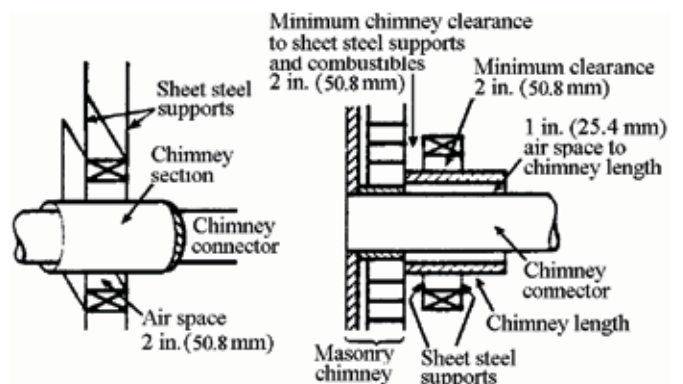
Method C: 6" (152.4 mm) Clearance to Combustible Wall Member:

Starting with a minimum 24 gage (.024" [61 mm]) 8" (203.2 mm) metal chimney connector, and a minimum 24 gage ventilated wall thimble which has two air channels of 1" (25.4 mm) each, construct a wall pass-through. There shall be a minimum 6" (152.4 mm) separation area containing fiberglass insulation, from the outer surface of the wall thimble to wall combustibles. Support the wall thimble, and cover its opening with a 24-gage minimum sheet metal support. Maintain the 6" (152.4 mm) space. There should also be a support sized to fit and hold the metal chimney connector. See that the supports are fastened securely to wall surfaces on all sides. Make sure fasteners used to secure the metal chimney connector do not penetrate chimney flue liner.



Method D: 2" (50.8 mm) Clearance to Combustible Wall Member:

Start with a solid-pak listed factory built chimney section at least 12" (304 mm) long, with insulation of 1" (25.4 mm) or more, and an inside diameter of 8" (2 inches [51 mm] larger than the 8" [203.2 mm] chimney connector). Use this as a pass-through for a minimum 24-gage single wall steel chimney connector. Keep solid-pak section concentric with and spaced 1" (25.4 mm) off the chimney connector by way of sheet metal support plates at both ends of chimney section. Cover opening with and support chimney section on both sides with 24 gage minimum sheet metal supports. See that the supports are fastened securely to wall surfaces on all sides. Make sure fasteners used to secure chimney flue liner.

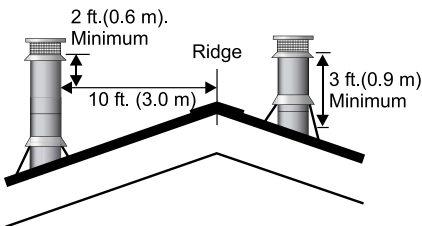


## STEP-BY-STEP CHIMNEY AND CONNECTOR INSTALLATION

**Note:** These are a generic set of chimney installation instructions. Always follow the manufacturers own instructions explicitly. Verify the Minimum Recommended Heights for Woodstove Flue (Table 1 in the Installation section).

1. With your location already established, cut and frame the roof hole. It is recommended that no ceiling support member be cut for chimney and support box installation. If it is necessary to cut them, the members must be made structurally sound.
2. Install radiant shield and support from above.
3. Stack the insulated pipe onto your finish support to a minimum height of 3 feet above the roof penetration, or 2 feet above any point within 10 feet measured horizontally. There must be at least 3 feet of chimney above the roof level.

**NOTE:** Ensure each section of chimney is positively attached and secured.

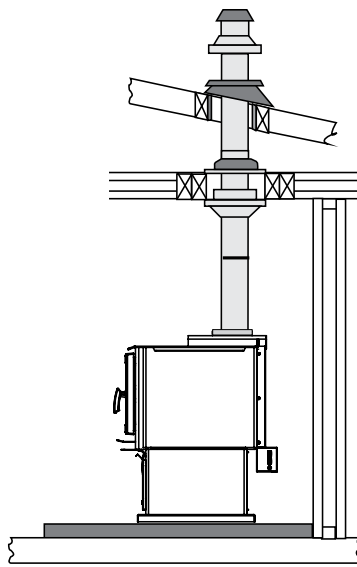


**Note:** Increasing the chimney height above this minimum level will sometimes help your unit to “breathe” better by allowing a greater draft to be created. This greater draft can decrease problems such as, difficult start-ups, back-smoking when door is open, and dirty glass. It might be sufficient to initially try with the minimum required height, and then if problems do arise add additional height at a later date.

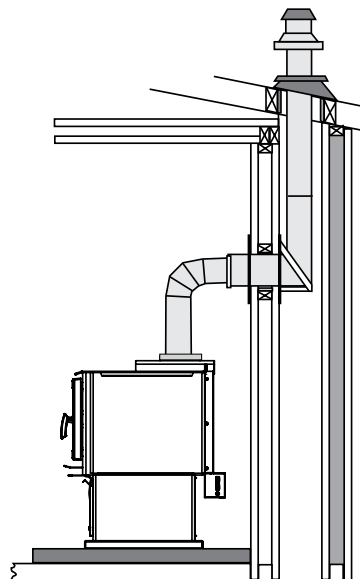
4. Slide the roof flashing over your chimney and seal the flashing to the roof with roofing compound. Secure the flashing to your roof with nails or screws.
5. Place the storm collar over the flashing, sealing the joints with a silicone caulking.
6. Fasten the raincap with spark screens (if required) to the top of your chimney.
7. For optimum efficiency when installing into a masonry chimney, size accordingly, i.e. the 8" (203.2mm) flue dia. is 50.3 sq.in. (1272.62mm).

8. To complete your chimney installation, install the double wall connector pipe from the stove's flue collar to the chimney support device.
9. If you are using a horizontal connector, the chimney connector should be as high as possible while still maintaining the 18" (457mm) minimum distance from the horizontal connector to the ceiling.
10. **NOTE:** Residential Close Clearance and Alcove installations require a listed double wall connector from the stove collar to the ceiling level.

The diagrams below illustrate one way to install your unit into a standard ceiling or with a horizontal connector. Check with your dealer or installer for information on other options available to you.



*Standard Ceiling Installation*



*Horizontal Installation*

RECOMMENDED HEIGHTS FOR WOODSTOVE FLUE

Simple rules on draft (refer to Table 1).

- 1) At sea level minimum height is 12' straight.
- 2) Add the following vertical height to compensate for:
  - 45 deg. elbow = 1 ft.
  - 90 deg. elbow = 2 ft.
  - "T" = 3 ft.
  - Each foot of horizontal run = 2 ft.

3) Add 4% overall for each 1000' above sea level.

- Example: a)
- 1-1/2 ft. of horizontal run = 3 ft.
  - one "T" = 3 ft.
  - Total Addition (at sea level) = 6 ft.
- Example: b)
- One 90 deg. elbow = 2 ft.
  - 2 ft. of horizontal run = 4 ft.
  - one "T" = 3 ft.
  - Total Addition (at sea level) = 9 ft.

Recommended Flue Height

Elevation	Example a)	Example b)
0'	18'	21'
1000'	18.72'	21.84'
2000'	19.44'	22.68'
5000'	21.60'	25.20'
8000'	23.76'	27.72'

MINIMUM RECOMMENDED FLUE HEIGHTS IN FEET (Measured from the top of the unit)				
ELEVATION (FT) ABOVE SEA LEVEL	NUMBER OF ELBOWS For listed double wall pipe.			
	0	2 x 15°	2 x 30°	2 x 45°
0-1000	12.0	13.0	15.0	16.0
1000-2000	12.5	13.5	15.5	16.5
2000-3000	13.0	14.0	16.0	17.0
3000-4000	13.5	14.5	17.0	18.0
4000-5000	14.0	15.0	17.5	18.5
5000-6000	14.5	15.5	18.0	19.0
6000-7000	15.0	16.0	18.5	20.0
7000-8000	15.5	16.5	19.0	20.5
8000-9000	16.0	17.0	20.0	21.0
9000-10000	16.5	17.5	20.5	22.0

NOTE: No more than one offsets (two elbows) allowed. Two 45° elbows equal one 90° elbow.

Table 1

## MOBILE HOME INSTALLATION

Once you have properly marked the position of your unit and the floor protection as outlined in the Residential Installation items #1 through #8, a supply of fresh air has to be supplied to your unit.

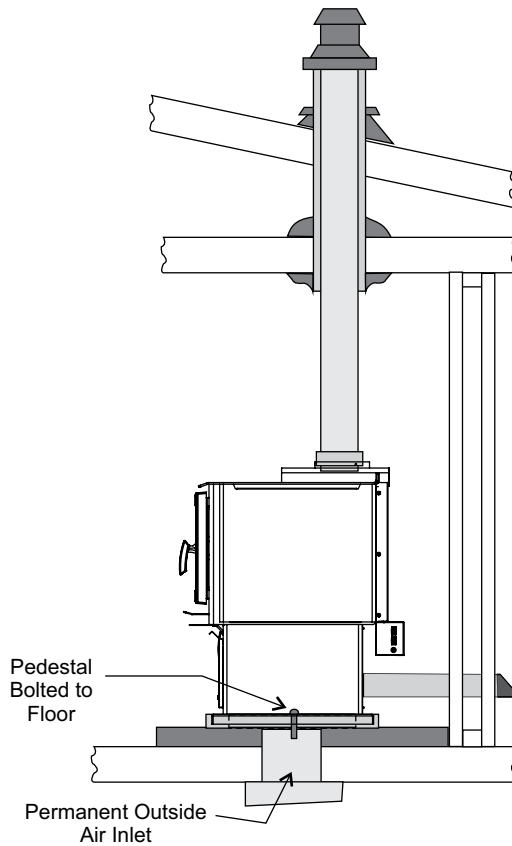
See Optional Outside Air Kit instructions in this manual.

Place your unit in position and secure it to the floor using two lag bolts 3/8" (10mm) x 3-1/2" (89mm) through the two holes inside the pedestal base. It is important to maintain the structural integrity of the Mobile Home floor, walls and roof when installing your unit.

For Mobile Home units installed in the U.S. the unit must be grounded using a #8 ground wire with approved termination and star washer.

**CAUTION:** At no time use unlabelled parts, or substitute parts made for another chimney system.

Install as per chimney manufacturer's installation instructions.



**WARNING:** Operate only with door fully closed - open feed door to feed fire only.

1. Identify the position of the outside air damper by the orientation of the metal handle that rests outside the galvanized pipe. The metal handle and the damper disc are in line with each other. This means that if the metal handle is in a horizontal position, the damper is flat and fully open.
2. Open the damper fully whenever you start a fire. This will allow the outside air to be drawn in the pedestal base eliminating any potential smoke escaping the stove and entering the room. (Negative air pressure)

In addition to standard installation instructions the following requirements are mandatory for installation in a mobile home.

1. The stove must be permanently bolted to the floor of the Mobile Home using the floor screws provided.
2. The stove must have a permanent outside air source for combustion.
3. The stove must be electrically grounded to the steel chassis of the Mobile Home.
4. A listed double-wall connector chimney system, roof thimble, spark arrestor and roof flashing kit suitable for use in Mobile Homes must be used.
5. If the chimney exits the Mobile Home at a location other than through the roof, and exits at a point 7ft. (2130mm) or less above the ground level on which the Mobile Home is positioned, a guard or method of enclosing the chimney shall be fitted at the point of exit for a height up to 7ft. (2130mm).
6. The chimney shall be attached directly to the room heater and shall extend at least 3 ft. (914mm) above the part of the roof through which it passes. The top of the chimney should project at least 2ft. (610mm) above the highest elevation of any part of the Mobile Home within 10 ft. (3048mm) of the chimney.
7. The chimney system shall comply with Local Requirements.
8. Any openings in a chimney guard where required must not permit the entrance of 3/4" (19mm) diameter rod.
9. **CAUTION: THE STRUCTURAL INTEGRITY OF THE MOBILE HOME ROOF, FLOOR, WALLS AND CEILING MUST BE MAINTAINED.**
10. Check any other local building code as other local codes may apply.
11. **WARNING: DO NOT INSTALL IN A SLEEPING ROOM OF A MOBILE HOME.**
12. Use silicone to create an effective vapour barrier at the location where the chimney or other component penetrates to the exterior of the structure.

## OPTIONAL OUTSIDE AIR KIT

The Outside Air Kit is an option for Freestanding Stoves. Outside air for combustion can be brought in either through the bottom of the pedestal or bottom heat shield or through the rear plate of the pedestal.

For both bottom and rear outside air the Pedestal Cover Plate must be installed. Loosen the 4 screws on the rear of the pedestal and slide the cover plate over them. Slide the plate to the left to center it and tighten down the 4 screws.

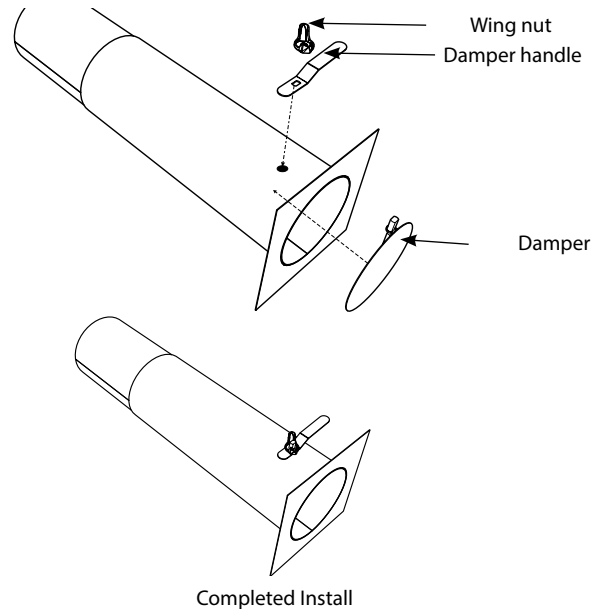
### Damper Installation

NOTE: The damper cannot be installed if attaching outside air to the bottom of the appliance.

Supplied damper allows the combustion air to be closed off when unit is not in operation.

Install the damper within the round pipe in an easily accessible location.

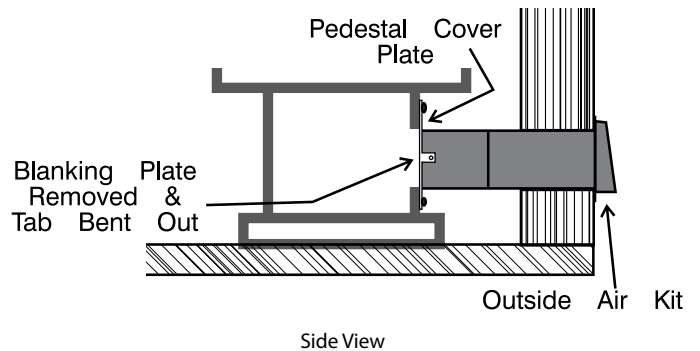
1. Drill a 5/16" hole in the desired location.
2. Insert damper with threaded section out.
3. Install damper handle and secure with wing nut.



### Outside Air Through Pedestal Rear

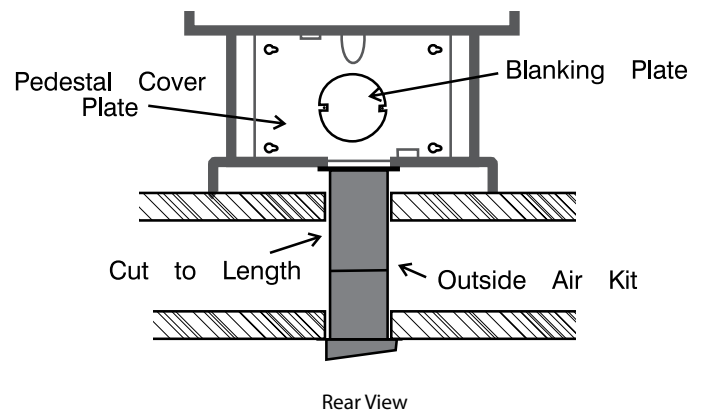
Remove the blanking plate from the rear of the pedestal and bend the two tabs out 90 degrees. Pipe fresh air into the pedestal area by using a minimum 4" metallic duct pipe with a mesh grill at the outside termination.

Fasten the pipe to the cover plate using the tabs and 2 screws.



### Outside Air Through Pedestal Bottom

Mark the position of your unit as outlined in the "General Information" and "Clearances to Combustibles" section of the manual. Pipe fresh air into the pedestal area by using a minimum 4" duct pipe with a mesh grill at the outside termination.





## LISTED COMPONENTS FOR MOBILE HOME INSTALLATION

The Regency F5100 Freestanding pedestal units are approved for installation in a Mobile Home if one of the following pipe systems is used.

NOTE: Required double wall chimney connector must be in good condition and kept clean.

### U.S. Installation\*

#### SELKIRK SURE-TEMP

Qty.Part #	Description
1 8T-FCK	Flat Ceiling kit
1 8T-PCK	Pitched ceiling kit
1 8ST-48	48" Chimney length (also in 6", 9", 12", 18", 24", 36" lengths.

#### PROJET Nova Temp

Qty.Part #	Description
1 80-CSC	Round support w/coupler
1 80-CSBC	Square support w/coupler
1 81-RF17	Flashing
1 81-08SL48	48" Chimney length (also in 8", 12", 24", 36" lengths.
1 81-RDC	Rain Cap

#### SECURITY SECURE TEMP ASHT+

Qty.Part #	Description
1 8XSCC	Round support w/coupler
1 8XSSC	Square support w/coupler
1 8FA	Flashing
1 8L48	48" Chimney length (also in 8", 12", 18", 24", 36" lengths
1 8CC	Rain Cap

#### SECURITY SECURE TEMP S-2100+

Qty.Part #	Description
1 8XSCC	Round support w/coupler
1 8XSSC	Square support w/coupler
1 8FA	Flashing
1 8L48	48" Chimney length (also in 8", 12", 18", 24", 36" lengths
1 8CC	Rain Cap

#### METAL-FAB TEMP/GUARD 2100

Qty.Part #	Description
1 8DWBA	Connector
1 8TGRS	Roof Support
1 8TGG36	Chimney Length
1 8TGG12	Chimney Length
1 8TGF	Flashing
1 8TGC	Rain Cap

#### AMERI-TEC HS

Qty.Part #	Description
1 8HSRA-12	Roof support assembly (6PLRS-12-BK)
1 8FFU	Flat to 6/12 Flashing
1 8HSS-6	48" Chimney length (also in 12", 24", 36" lengths.
1 6HS-RCS	Rain Cap

#### SIMPSON DURA-PLUS

Qty.Part #	Description
1 9245N	Round Ceiling support
1 9248AN	Square Ceiling support 11"
1 9248	Rain Cap
1 9249V	0/12 - 6/12 Flashing
1 9959	Storm collar
1 9217	36" Chimney length (also in 6", 9", 12", 24" lengths.

#### ICC EXCEL 2100

Qty.Part #	Description
1 8EL48	48" Chimney length (also in 12", 18", 24" lengths.
1 8ERC	Rain Cap
1 8ERCS	Spark Screen (for rain cap)
1 8ERDS/ESS	Round/Square support box
1 8EF	Flashing
1 8UBSE	"Ultrablack" Close Clearance Connector

### Canadian Installations\*

SECURITY S2100+ (see to left for details)

ICC EXCEL 2100 (see above for details)

#### SIMPSON DURA-PLUS HTC

Qty.Part #	Description
1 9245N	Round Ceiling support
1 9248AN	Square Ceiling support 11"
1 9248	Rain Cap
1 9249V	0/12 - 6/12 Flashing
1 9959	Storm collar
1 9217CF	36" Chimney length (also in 6", 9", 12", 24" lengths.

#### SELKIRK SENTINAL CF

Qty.Part #	Description
1 8CF-CBSP	Ceiling support kit
1 8CF-CCSK	Square support kit
1 8CF-FRA-A	0/12 - 6/12 Flashing
1 8CF-36	36" Chimney length (also in 9", 12", 18", 24" lengths.

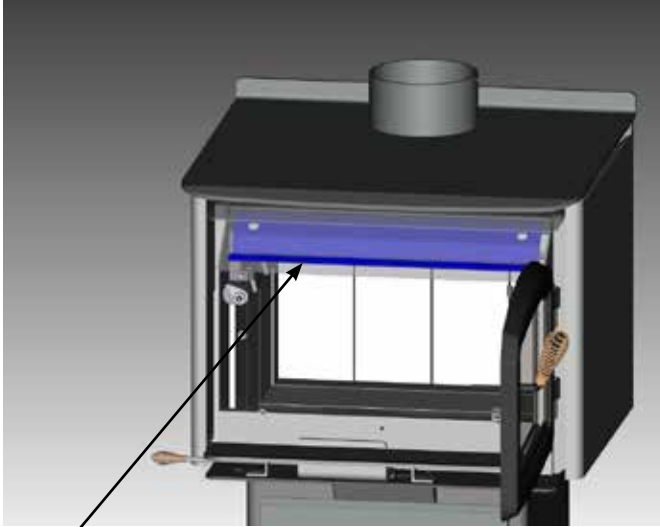
\*The use of alternate pitch flashings, support box extensions, additional chimney lengths, and additional chimney bracing, may be used on each of the previously listed systems. These parts though must be from the same system as listed, and must be a similar and/or complimentary part.

**CAUTION:** At no time use unlabelled parts, or substitute parts made for another chimney system.

Install as per chimney manufacturer's installation instructions.

### STAINLESS STEEL SMOKE DEFLECTOR INSTALLATION / REPLACEMENT:

The stainless smoke deflector is located in the upper front area of the firebox. The deflector is held in place with 2 bolts. Prior to the first fire, ensure deflector is seated properly and secured with 2 hand tightened bolts.



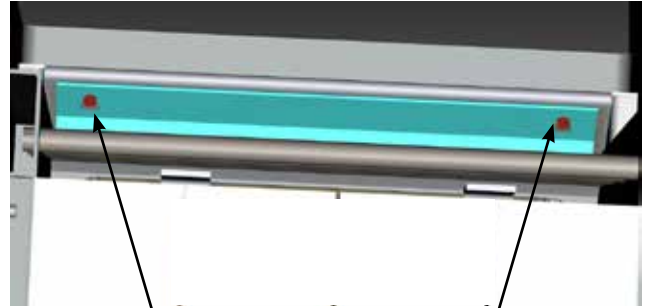
Smoke deflector

To replace the deflector, loosen off both bolts and slide deflector upward and out. Install new deflector and hand tighten bolts. Ensure positive location of the deflector prior to hand tightening.

**WARNING:** Operation of the unit with out proper installation of smoke deflector will void warranty.



Ensure deflector is seated so bolts are situated at the top of the keyhole before tightening. Hand tighten bolts only.



Smoke deflector installed with 2 bolts.

Note: This is a view from inside the firebox looking out.

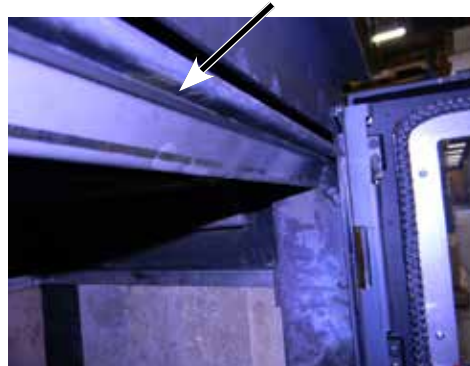
#### Correct Install:

Ensure return edge of smoke deflector is seated within the backside of the glass wash.



#### Incorrect Install:

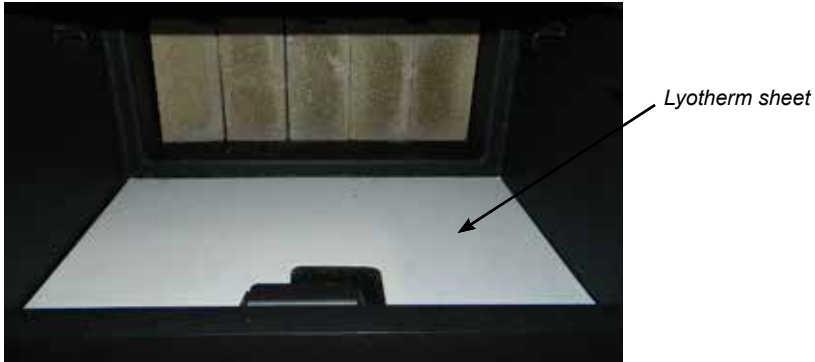
Return edge of smoke deflector seated under glass wash.



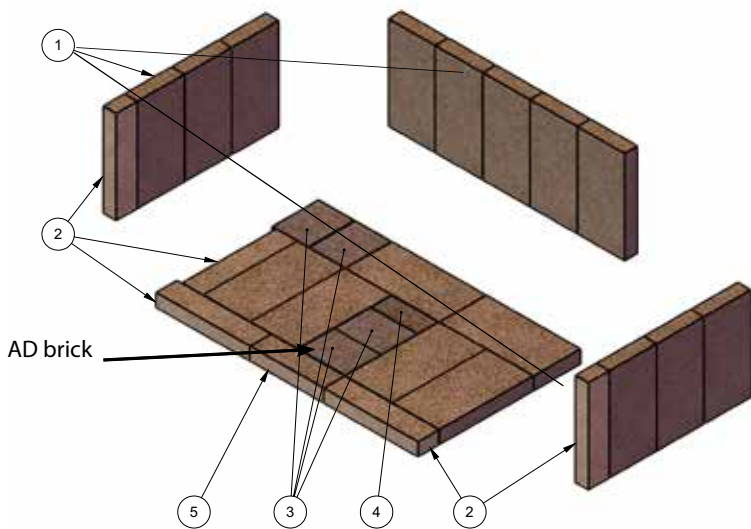
## BRICK INSTALLATION

Firebrick is included to extend the life of your stove and radiate heat more evenly. Install all firebricks per the diagram below and place in their correct positions. Do not use a grate.

1. Remove box of firebricks from inside unit.
2. Remove Lyotherm sheet from mailer tube and install on base of firebox as shown below.

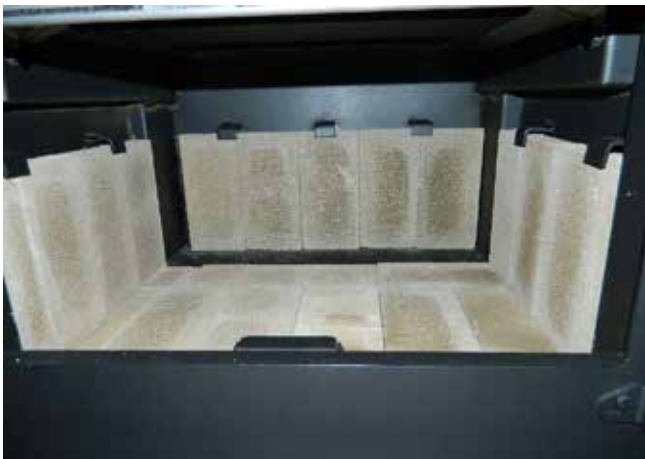


3. Order of firebrick install:
  - a) Rear Firebrick
  - b) Firebox floor - install brick over Lyotherm Sheet
  - c) Right and left side Firebricks



Fire bricks	
#	Size
1	4-1/2" x 9"
2	2" x 9"
3	3-1/2" x 4-1/2"
4	1-3/4" x 4-1/2"
5	2" x 7"

NOTE: The "AD" brick covers the Ash Dump hole that is used when the Ash Drawer Kit is installed.



Final Install

FAN INSTALLATION

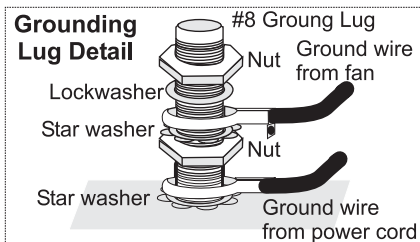
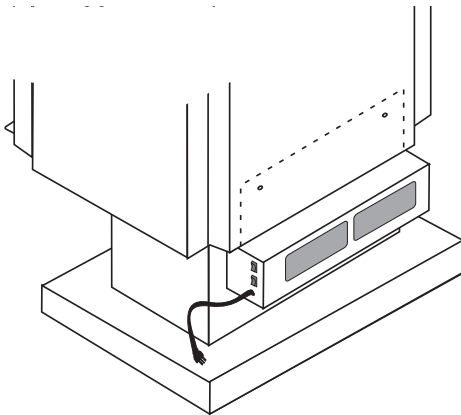
Fan assembly for use only with the room heater marked to indicate such use.

**FAN INSTALLATION  
(120V FAN)**

1. Remove the two screws from the top of the fan housing.
2. Slide the fan up into the rear heat shield.
3. After aligning holes, secure the fan to the rear heat shield using the two screws removed earlier.

**Note:** The connection cord should not be in contact with any hot surfaces.

**WARNING: FAN ASSEMBLY MUST BE DISCONNECTED FROM THE SOURCE OF ELECTRICAL SUPPLY BEFORE ATTEMPTING THE INSTALLATION.**



**FAN OPERATION**

**AUTOMATIC**

To operate the fan automatically, push the bottom switch on the side of the fan housing to "AUTO" and the top switch to either "HIGH" or "LOW" for fan speed.

This will allow the fan to turn on as the stove has come up to operating temperature. It will also shut the fan system off after the fire has gone out and the unit cooled to below a useful heat output range.

If the fan cycles on and off continuously the thermo switch sensor is not making contact with the stove body. Remove the fan, bend the bracket closer to the stove and re-install the fan.

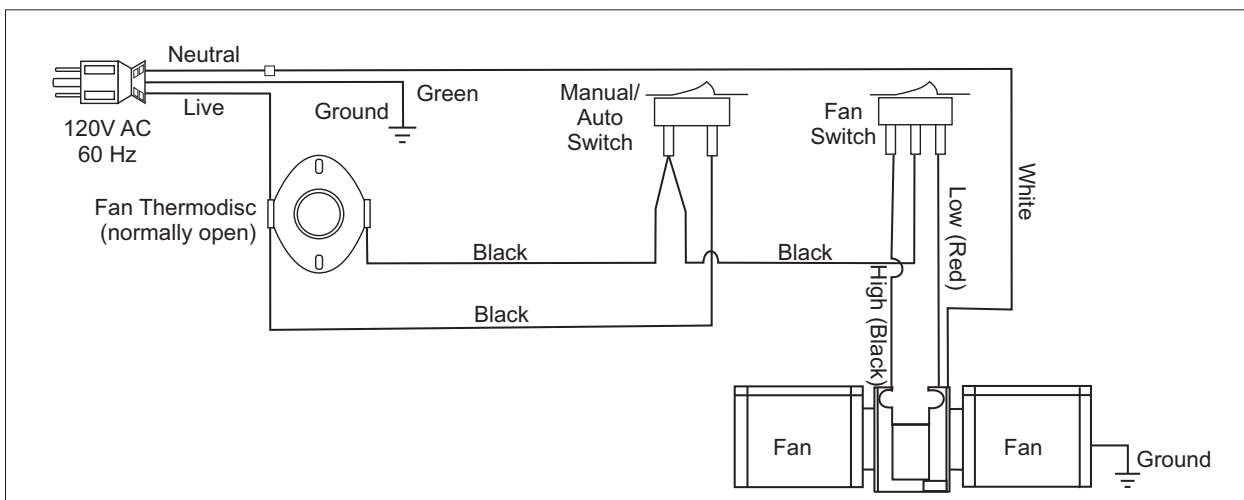
**MANUAL**

To manually operate the fan system push the bottom switch to "MAN" and the top switch to either "HIGH" or "LOW". This will bypass the sensing device and allow full control of the fan.

Switching from "AUTO" to "MAN" or "HIGH" to "LOW" may be done anytime.

**WARNING: Electrical Grounding Instructions**  
 This appliance is equipped with a three pronged (grounding) plug for your protection against shock hazard and should be plugged directly into a properly grounded three-prong receptacle. Do not cut or remove the grounding prong from this plug.

**CAUTION: Label all wires prior to disconnection when servicing controls. Wiring errors can cause improper and dangerous operation.**



Wiring Diagram

## SEASONED WOOD

Whether you burn wood in a fireplace, stove or insert, good quality firewood is the key to convenience, efficiency and safety. Wet wood and pieces that are not the right size and shape for your wood burner can be frustrating, burn inefficiently and deposit creosote that can fuel a dangerous chimney fire. Good planning, seasoning and storage of the firewood supply are essential to successful wood burning.

- Stack the wood in separate rows in an open location where the summer sun can warm it and breezes can carry away the moisture. Do not stack unseasoned wood tightly in an unvented storage area.
- Do not allow firewood to lie on the ground for more than a couple of days before stacking. Mould and rot can set in quickly.
- Stack the wood up off the ground on poles, lumber rails or pallets.
- The top of the pile can be covered to keep off rain, but do not cover the sides.

Softer woods like pine, spruce and poplar/aspen that is cut, split and stacked properly in the early spring maybe be ready for burning in the fall. Extremely hard woods like oak and maple, and large pieces of firewood, may take a minimum of a full year to dry enough. Drying may also take longer in damp climates

There are a few ways to tell if wood is dry enough to burn efficiently. Use as many indicators as possible to judge the dryness of the firewood your are considering. Here are ways to judge firewood moisture.

- Using a moisture meter, select the species of fuel and then penetrate the pins into a split piece. Ideal moisture and seasoned firewood should be less than 20% moisture content.
- Checks or cracks in the end grain can be an indication of dryness, but may not be a reliable indicator. Some wet wood has checks and some dry wood has no checks.
- The wood tends to darken from white or cream colour to grey or yellow as it dries.
- Two dry pieces banged together sound hollow; wet pieces sound solid and dull.
- Dry wood weighs much less than wet wood.
- Split a piece of wood. If the exposed surface feels damp, the wood is too wet to burn.

## OPERATING INSTRUCTIONS

With your unit now correctly installed and safety inspected by your local authority, you are now ready to start a fire. Before establishing your first fire, it is important that you fully understand the operation of your Catalytic combustor and draft control.

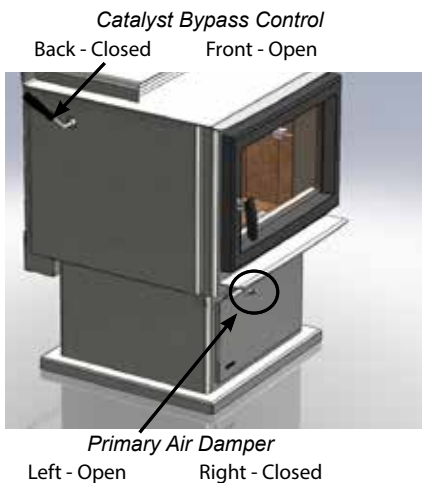
**WARNING**

Fireplace Stoves equipped with doors should be operated only with doors fully closed. If doors are left partly open, gas and flame may be drawn out of the fireplace stove opening, creating risks from both fire and smoke.

### DRAFT CONTROL

Both the primary and air wash drafts are controlled by the control slide located on the front left side of the unit (when facing the unit). To increase your draft - slide to the left to open, and to decrease - slide to the right closed. The F5100 unit has a secondary draft system that continually allows combustion air to the induction ports at the top of the firebox, just in front of the catalytic combustor.

Draft is the force which moves air from the appliance up through the chimney. The amount of draft in your chimney depends on the length of the chimney, local geography, nearby obstructions and other factors. Too much draft may cause excessive temperatures in the appliance and may damage the catalytic combustor. Inadequate draft may cause back puffing into the room and plugging of the chimney or catalyst.



**WARNING:** To build a fire in ignorance or to disregard the information contained in this section can cause serious permanent damage to the unit and void your warranty!!

### FIRST FIRE

When your installation is completed and inspected you are ready for your first fire.

**THIS UNIT IS DESIGNED TO BURN SEASONED CORDWOOD ONLY. COAL AND BRIQUETTES ARE NOT APPROVED.**

1. Open the catalytic by-pass control fully. (Handle facing forward)
2. Open firebox door and build a small fire using paper and dry kindling on the firebrick hearth, **DO NOT USE A GRATE** Secure door on the firebox and wait a few minutes for a good up-draft in the flue to establish the fire. (Leaving the door slightly open will help your fire start more rapidly.)

**CAUTION:** Never leave unit unattended if door is left open. This procedure is for fire start-up only, as unit may overheat if door is left open for too long.

3. With the catalytic by-pass damper still in the fully open position, add two or three seasoned logs to your fire. Form a trench in the ash bed to allow air to reach the rear of the firebox prior to closing the door.
4. The temperature in the stove and the gases entering the combustor must reach between 500F - 700F for catalytic activity to start. From the start up of a cold stove, a medium to high firing rate must be maintained for 30min. This ensures that the stove, catalyst and fuel are all stabilized at proper operating temperatures. Even though it is possible to have temperatures at 600F within minutes after a fire has been started, if the fire is allowed to die down immediately it may go out or the combustor may stop working. Once the combustor starts working, heat generated in it by burning the smoke will keep it working. During re-fueling and rekindling of the cool fire, or a fire that has burned down to the charcoal phase, operate the stove at a medium to high firing rate for about 10 minutes to ensure that the catalyst reaches operating temperatures

**WARNING:** Never build a roaring fire in a cold stove. Always warm your stove up slowly!

5. When re-fueling, always open by-pass, load fuel, then wait for at least 10-15 minutes before closing the by-pass. Reason for the 10-15 min. is the fresh fuel and the opening of the door will cause the catalyst to drop in temperature as well as the moisture within the wood which is the first thing to be released.
6. During the first few fires, keep the combustion rate at a moderate level and avoid a large fire. Only after 5 or 6 such fires can you operate the stove at its maximum setting, and only after the metal has been warmed.

7. For the first few days, the stove will give off an odour from the paint. This is to be expected as the high temperature paint becomes seasoned. Windows and/or doors should be left open to provide adequate ventilation while this temporary condition exists. Burning the stove at a very high temperature the first few times may damage the paint. Burn fires at a moderate level the first few days.
8. Do not place anything on the stove top during the curing process. This may result in damage to your paint finish.
9. During the first few days it may be more difficult to start the fire. As you dry out your firebrick and your masonry flue, your draft will increase.
10. For those units installed at higher elevations or into sub-standard masonry fireplaces, drafting problems may occur. Consult an experienced dealer or mason on methods of increasing your draft.
11. Some cracking and popping noises may be experienced during the heating up process. These noises will be minimal when your unit reaches temperature.
12. Before opening your door to reload, open the by-pass damper fully for approximately 10 to 15 seconds until the fire has been re-established. This will minimize any smoking (spilling) back into the room. After loading wood and front door closed, close the by-pass damper
13. All fuel burning appliances consume oxygen during operation. It is important that you supply a source of fresh air to your unit while burning. A slightly opened window is sufficient for the purpose. If you also have a fireplace in your home, a downdraft may be created by your Regency Stove causing a draft down your chimney. If this occurs, slightly open a window near your unit.

**CAUTION:** If the body of your unit, e or any part of the chimney connector starts to glow, you are over firing. Stop loading fuel immediately and close the draft control until the glow has completely subsided.

14. Green or wet wood is not recommended for your unit. If you must add wet or green fuel, open the draft control fully until all moisture has been dispersed by the intense fire. Once all moisture has been removed, the draft control may be adjusted to maintain the fire.
15. If you have been burning your stove on a low draft, use caution when opening the door. After opening the damper, open the door a crack, and allow the fire to adjust before fully opening the door.



*How to Light and Maintain a Wood Stove Fire*

- The controls of your unit or the air supply passages should not be altered to increase firing for any reason.
- If you burn the unit too slowly or at too low a setting your unit will not be operating as efficiently as it can. An easy rule of thumb says that if your glass is clean, catalytic thermostat is active, then your flue is clean and your exhaust is clean. Burn the stove hot enough to keep your glass clean and catalytic combustor, you won't need to clean your flue as often.

## FAN OPERATION

### Automatic

To operate the fan automatically, push the bottom switch on the side of the fan housing to "AUTO" and the top switch to either "HIGH" or "LOW" for fan speed.

This will allow the fan to turn on as the stove has come up to operating temperature. It will also shut the fan system off after the fire has gone out and the unit cooled to below a useful heat output range.

Route power cord to either left or right behind unit.

### Manual

To manually operate the fan system push the bottom switch to "MAN" and the top switch to either "HIGH" or "LOW". This will bypass the sensing device and allow full control of the fan.

Switching from "AUTO" to "MAN" or "HIGH" to "LOW" may be done anytime.

## ASH DISPOSAL

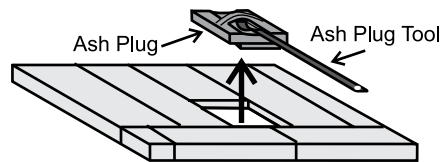
During constant use, ashes should be removed every few days. The Ash Drawer option features a convenient ash dump for easy removal of ash, refer to Modular Installation Options section.

### Safety Precautions

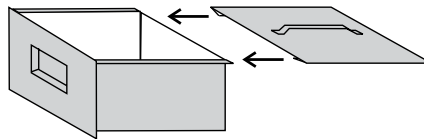
- Do not allow ashes to build up to the loading doors! Only remove ashes when the fire has died down. Even then, expect to find a few hot embers.
- Please take care to prevent the build-up of ash around the start-up air housing located inside the stove box, under the loading door lip.
- Never start a fire if the ash plug and ash drawer are not in place. This will cause over firing which can cause excessive warping of the stove. Evidence of over firing can void the warranty on your stove.
- The firebricks are brittle and can be damaged if the plug is replaced carelessly or pieces that are too large are forced through the hole.

### Ash Drawer Operating Guideline

- Only clean ashes out of the stove when the unit has cooled down. Remove the plug by lifting on the handle using the tool provided. The plug may still be warm, use caution. Push the ashes down the hole into the ash drawer, the large pieces can be left in the firebox and burned during the next fire or removed through the door opening.
- Always leave 1/2 to 1 inch of ash in the bottom of the firebox. This helps in easier starting and a more uniform burn of your fire. Replace ash plug when ashes have been removed.



- Pedestal Units:**  
To remove the drawer, lift slightly and slide it out. When the drawer is completely out, slide the cover plate over the ash drawer and carry away.



**HOT WHILE IN OPERATION. KEEP CHILDREN, CLOTHING AND FURNITURE AWAY. CONTACT MAY CAUSE SKIN BURNS.**

- When emptying the ash drawer, make sure the ashes are cold. Ashes should be placed in a metal container with a tight fitting lid. The closed container of ashes should be placed on a non-combustible floor or on the ground, well away from all combustible materials, pending final disposal. If the ashes are disposed of by burial in soil or otherwise locally dispersed, they should be retained in the closed container until all cinders have thoroughly cooled. Other waste should not be placed in the ash container.
- Before putting the ash drawer back into place, make sure the ash plug is back in place.

Pedestal Units: make sure the cover lid is off.

## SAFETY GUIDELINES AND WARNINGS

**DO NOT USE CHEMICALS FOR FLUIDS TO START FIRE.**

- Never use gasoline, gasoline type lantern fuels, kerosene, charcoal lighter fuel, or similar liquids to start or 'freshen up' a fire in your heater. Keep all such liquids well away from the heater while it is in use.
- Keep the door closed during operation and maintain all seals in good condition.
- Do not burn any quantities of paper, garbage, and never burn flammable fluids such as gasoline, naphtha or engine oil in your stove.
- If you have smoke detectors, prevent smoke spillage as this may set off a false alarm.
- Do not overfire heater. If the chimney connector, flue baffle or the stove top begin to glow, you are over firing. Stop adding fuel and close the draft control. Over firing can cause extensive damage to your stove including warping and premature steel corrosion. Over firing will void your warranty.
- Do not permit creosote or soot build-up in the chimney system. Check and clean chimney at regular intervals. Failure to do so can result in a serious chimney fire.
- Your Regency stove can be very hot. You may be seriously burned if you touch the stove while it is operating, keep children, clothing and furniture away. Warn children of the burn hazard.
- The stove consumes air while operating, provide adequate ventilation with an air duct or open a window while the stove is in use.
- Do not connect this unit to a chimney flue serving another appliance.
- Do not use grates or andirons or other methods for supporting fuel. Burn directly on the bricks.
- Open the draft control fully for 10 to 15 seconds prior to slowly opening the door when refuelling the fire.
- Do not connect your unit to any air distribution duct.
- This heater is designed to burn natural wood only. Higher efficiencies and lower emissions generally result when burning air dried seasoned hardwoods, as compared to softwoods or to green or freshly cut hardwoods.

**DO NOT BURN:**

- Treated wood
- Coal
- Garbage
- Cardboard
- Solvents
- Colored Paper
- Trash
- Salt drift wood
- Cut lumber, plywood, mill ends.

Burning treated wood, garbage, solvents, colored paper or trash may result in release of toxic fumes and may poison or render ineffective the catalytic combustor. Burning coal, cardboard, or loose paper can produce soot, or large flakes of char or fly ash that can coat the combustor, causing smoke spillage into the room, and rendering the combustor ineffective.

14. Do not store any fuel closer than 2 feet from your unit. Do not place wood, paper, furniture, drapes or other combustibles near the appliance.
15. **WARNING:** Do not operate without either the Ash Plug properly seated or the Ash Dump Plates screwed in place, excessive temperatures will result.
16. Do not operate with broken glazing.

**DO NOT BURN GARBAGE OR FLAMMABLE LIQUIDS SUCH AS GASOLINE, NAPHTHA OR ENGINE OIL. SOME FUELS COULD GENERATE CARBON MONOXIDE AND ARE VERY DANGEROUS.**

**CAUTION: DO NOT CONNECT TO, OR USE IN CONJUNCTION WITH ANY AIR DISTRIBUTION DUCT WORK UNLESS SPECIFICALLY APPROVED FOR SUCH INSTALLATION.**

Troubleshooting Guide		
PROBLEM	POSSIBLE CAUSE	SOLUTION
Crumbling Substrate	Extreme Thermal Shock Refueling with Wet Wood High Draft	Bypass combustor when the stove is running Use seasoned, dried wood. Do not exceed .06" of water draft. Install a manual damper and draft gauge or a barometric damper.
Fly-Ash Build-up Fly-Ash Masking Fly-ash Plugging	Combustor has not maintained light-off temperature. Combustor has not maintained light-off temperature. Burning materials that produce a lot of char and fly-ash. Closing the bypass too soon	Brush cold combustor with a soft bristled brush or vacuum lightly.  Brush cold combustor with a soft bristled brush or vacuum lightly.  Do not burn cardboard, gift wrap or garbage. Follow instructions for proper light-off.
Thermal Cracking	Uneven temperatures, flame impingement and heat spikes.	If cracking causes large pieces to fall out, replace combustor.
Mechanical Cracks	Combustor mishandled or abused. Distortion of combustor holder.	Handle combustor with care. Replace if necessary. Replace combustor if large pieces are missing, replace any warped stove parts as well.
Plugging (Creosote)	Burning wet, pitchy woods or burning large loads of small diameter wood with the combustor in the operating position without light-off ever occurring.	Burn dried seasoned wood. Make sure combustor has light-off before closing the bypass damper. It may be possible to burn off the soot or creosote accumulation by putting the combustor in a partially open and partially closed position after a hot fire has been started.
Masking (Soot)	Combustor has not maintained a light-off.  Burning coal will cause a sulfur-based compound to coat the catalyst.	Place combustor in a partially open and partially position after a hot fire has been started to burn off the soot accumulation.  Revert to burning wood and fire the combustor to elevated temperatures for one hour.



## MAINTENANCE

It is very important to carefully maintain your fireplace stove, including burning seasoned wood and maintaining a clean stove and chimney system. Have the chimney cleaned before the burning season and as necessary during the season, as creosote deposits may build up rapidly. Moving parts of your stove require no lubrication.

## THERMOMETER

The catalyst thermometer is only an indication of the flue gas temperature as they pass through the catalyst. The thermostat probe that is inserted into the opening, must be cleaned at least once a year. Use 220 sand paper to clean probe.



## CREOSOTE

When wood is burned slowly, it produces tar and other organic vapours combine with moisture to form creosote. The creosote vapours condense in the relatively cool chimney flue of a slow burning fire. As a result, creosote residue accumulates on the flue lining. When ignited, this creosote can result in an extremely hot fire.

The chimney connector and chimney should be inspected at least once every two months during the heating season to determine if creosote build up has occurred. If creosote has accumulated it should be removed to reduce the risk of chimney fire.

**WARNING:** Things to remember in case of a chimney fire:

1. Close all draft and damper controls.
2. CALL THE FIRE DEPARTMENT.

### Ways to Prevent and Keep Unit Free of Creosote

1. Burn stove with the draft control wide open for about 10-15 minutes every morning during burning season.
2. Burn stove with draft control wide open for about 10-15 minutes every time you apply fresh wood. This allows the wood to achieve the charcoal stage faster and burns up any unburned gas vapours which might otherwise be deposited within the system.
3. Only burn seasoned wood! Avoid burning wet or green wood. Seasoned wood has been dried at least one year.

4. A small hot fire is preferable to a large smouldering one that can deposit creosote within the system.
5. The chimney and chimney connector should be inspected at least once every two months during the heating season to determine if a creosote buildup has occurred.
6. Have chimney system and unit cleaned by competent chimney sweeps twice a year during the first year of use and at least once a year thereafter or when a significant layer of creosote has accumulated (3 mm/1/8" or more) it should be removed to reduce the risk of a chimney fire.

## DOOR CATCH ADJUSTMENT

The door Catch may require adjustment as the door gasket compresses after a few fires. The door latch compression may require adjustment to renew seal. Removal of the spacer washer, (see page 28), will allow the latch to be moved closer to the door frame, causing a tighter seal. Remove and replace the nuts, washer and spacer as shown on in this manual.

## DOOR GASKET

If the door gasket requires replacement 5/8" diameter material must be used. Regency uses a gasket rope 5/8" Medium Density (Part #936-060). A proper high temperature gasket adhesive is required. See your Regency Dealer.

## GLASS MAINTENANCE

Your Regency stove is supplied with 5mm Neoceram ceramic glass (Part #943-384/P) that will withstand the highest heat that your unit will produce. In the event that you break your glass by impact, purchase your replacement from an authorized Regency dealer only, and follow our step-by-step instructions for replacement (refer to Glass Replacement section).

Allow the stove to cool down before cleaning the glass, do not clean the glass when it is hot. Cleaning the glass will prevent build up of carbon and allow full view of the fire. Do not use abrasive cleaners, a damp cloth and glass cleaner is effective.

## WOOD STORAGE

Store wood under cover, such as in a shed, or covered with a tarp, plastic, tar paper, sheets of scrap plywood, etc., as uncovered wood can absorb water from rain or snow, delaying the seasoning process.

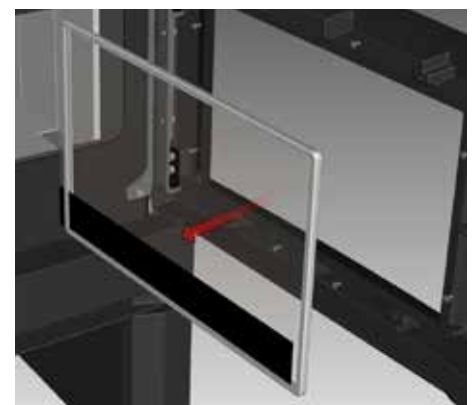
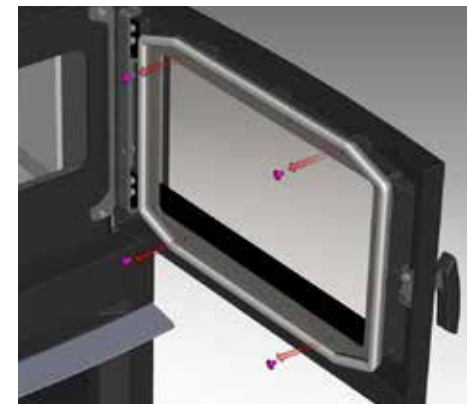
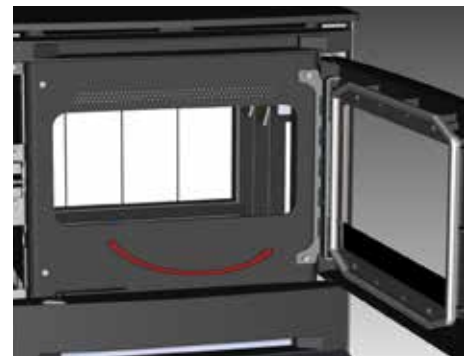


## GLASS REPLACEMENT

Allow the stove to cool before removing or replacing glass. Remove the door from the stove and remove the glass retainer. To avoid injury use caution when removing broken glass. Wear safety gloves. When placing the replacement glass in the door, make sure that the glass gasketing will properly seal your unit. Replace the retainer, it should rest on the gasket not the glass, and tighten securely with a glass clips and screws. Do not wrench down on the glass as this may cause breakage.

Do not use substitute materials. If your glass does break, do not use your unit until it has been replaced.

Do not abuse the door by striking or slamming shut.



## CATALYTIC COMBUSTOR

### ACHIEVING AND MAINTAINING CATALYST LIGHT-OFF:

The temperature in the stove and the gases entering the combustor must be raised to between 500F to 700F for catalytic activity to be initiated. During the start up of a cold stove a medium to high firing rate must be maintained for about 30 minutes. This ensures that the stove, catalyst and fuel are all stabilized at proper operating temperatures. Even though it is possible to have temperatures at 600F within minutes after a fire has been started, if the fire is allowed to die down immediately it may go out or the combustor may stop working. Once the combustor starts working, heat generated in it by burning the smoke will keep it working. During re-fueling and rekindling of the cool fire, or a fire that has burned down to the charcoal phase, operate the stove at a medium to high firing rate for about 10 minutes to ensure that the catalyst reaches operating temperatures.

There are some obvious signs of trouble that your inspection may reveal. The temperature in the stove and the gases entering the combustor must be raised to between 500F to 700F for catalytic activity to be initiated. During the start up of a cold stove a medium to high firing rate must be maintained for about 30 minutes. This ensures that the stove, catalyst and fuel are all stabilized at proper operating temperatures. Even though it is possible to have temperatures at 600F within minutes after a fire has been started, if the fire is allowed to die down immediately it may go out or the combustor may stop working. Once the combustor starts working, heat generated in it by burning the smoke will keep it working. During re-fueling and rekindling of the cool fire, or a fire that has burned down to the charcoal phase, operate the stove at a medium to high firing rate for about 10 minutes to ensure that the catalyst reaches operating temperatures.

**CATALYST MONITORING:** It is important to periodically monitor the operation of the catalytic combustor to ensure that it is functioning properly and to determine when it needs to be replaced. A non-functioning combustor will result in a loss of heating efficiency, and an increase in creosote and emissions. Following is a list of items that should be checked on a periodic basis.

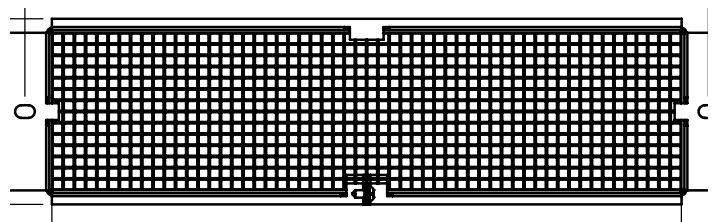
- Combustors should be visually inspected at least three times during the heating season to determine if physical degradation has occurred. Actual removal of the combustor is not recommended unless more detailed inspection is warranted because of decreased performance. If any of these conditions exist, refer to Catalyst trouble shooting section of this owner's manual.
- A good combustor is designed to withstand approximately 12,000 hours of continuous use. This will translate into five to ten years of use, depending on the length of your heating season and how often you use your stove. Proper maintenance will increase the combustor's effectiveness and prevent many problems. Inspect your combustor before each heating season, and during the season if your stove's performance seems to change.
- This catalytic heater is equipped with a temperature probe to monitor catalyst operation. Properly functioning combustors typically maintain temperatures in excess of 500F and often reach temperatures in excess of 1000F. If catalyst temperatures are not in within, refer to Catalyst trouble shooting section of this manual.
- You can get an indication of whether the catalyst is working by comparing the amount of smoke leaving the chimney when the smoke is going through the combustor and catalyst light - off has been achieved, to the amount of smoke leaving the chimney when the smoke is not routed (bypass open) through the combustor.

- Step 1: Light the stove in accordance with instructions within this manual.
- Step 2: With smoke routed through the catalyst (by-pass closed) go outside and observe the emissions leaving the chimney.
- Step 3: Engage the bypass mechanism and move to by-pass open position. And again observe the emission leaving the chimney. Significantly more smoke should be seen when the smoke is not routed through the combustor (by-pass open). Be careful not to confuse smoke with steam.

**ACHIEVING PROPER DRAFT:** Draft is the force which moves air from the appliance up through the chimney. The amount of draft in your chimney depends on the length of the chimney, local geography, nearby obstructions and other factors. Too much draft may cause excessive temperatures in the appliance and may damage the catalytic combustor. Inadequate draft may cause back puffing into the room and plugging of the chimney or catalyst.

### CATALYTIC COMBUSTOR CLEANING:

<b>Method #1</b>
A vacuum cleaner may be used, but never use high pressured air to blow the cells free of any build-up. This can damage the cell walls. Any cell blockage can be removed with the use of a pipe cleaner or a cotton swab as well.
<b>Method #2</b>
Should the combustor's cells become covered with fly-ash, use a paint-brush or soft-bristled brush and dust the combustor gently. Never use anything abrasive to clean the combustor.
<b>Method #3</b>
Normally the catalytic combustor requires little or no maintenance, it generates such high temperatures and therefore is basically self-cleaning. However, should the combustor become covered with soot or creosote, it is possible to burn the accumulation off by opening the bypass and building a hot fire. Once the hot fire is created, close the bypass halfway and burn for 30 to 60 minutes with the bypass left in this position. Never use cleaning solvents to clean it. Check and clean the combustor, if necessary, before each burning season and inspect the flue system for any signs of creosote buildup.
A clean flue helps prevent chimney flue fires.

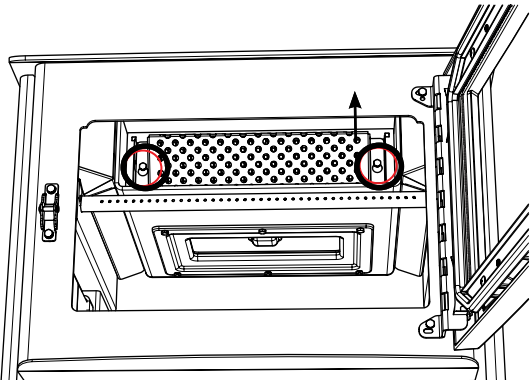


## COMBUSTOR ASSEMBLY REMOVAL / REPLACEMENT:

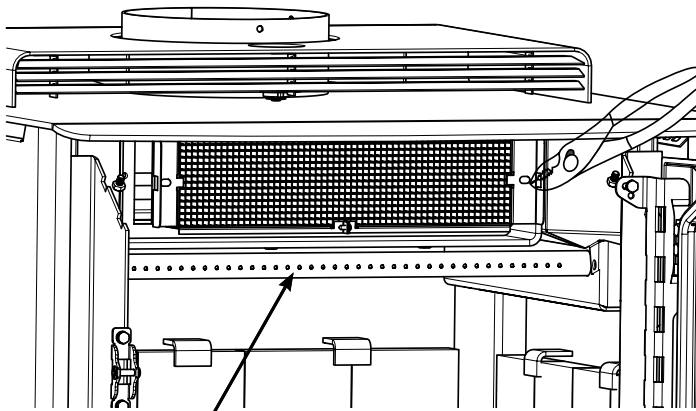
The catalytic thermometer on top of the stove should read in the active zone after the stove has been in operation for several hours. If the thermometer's indicator needle does not stay in the active zone, even with a hot fire, over a period of regular use, the catalyst may need to be cleaned. If this persists it may be necessary to replace it.

If the combustor must be examined or replaced, follow this procedure:

1. Allow the stove to burn out and cool down.
2. Open the door and loosen the two 7/16" bolts - see locations below.



3. Lift flame shield slightly upwards in keyhole slot and pull it forward and down.
4. Use a pair of pliers and gently slide out the band at each end. The assembly will loosen enough that it can be pulled forward, lowered, and pulled out through the door.

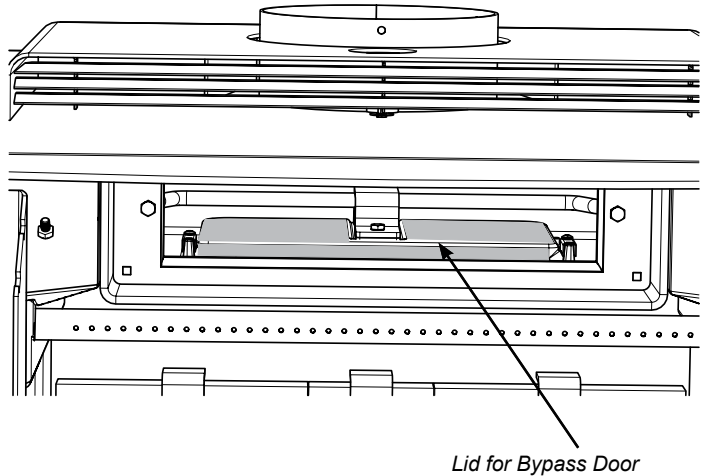


F5100 Airtube



F5100 Airtube Replacement

NOTE: If also replacing the gasket in the bypass door (see next page), remove the lid of the bypass door while it is accessible and complete steps in Bypass Door Gasket Replacement.



Lid for Bypass Door

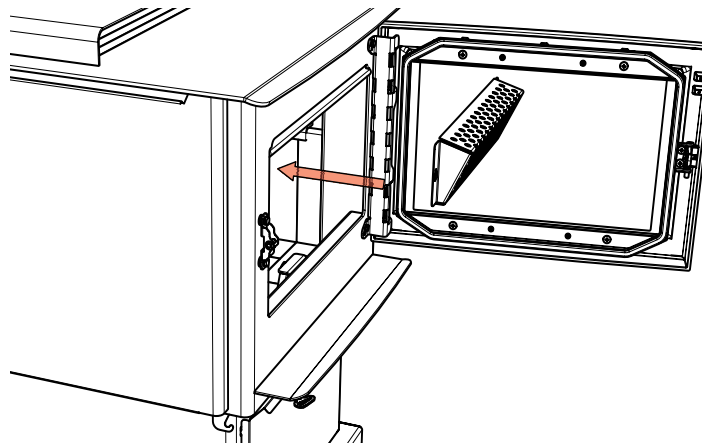
### TO REPLACE THE COMBUSTOR:

First clean the combustor area and the area around the by-pass, use a vacuum cleaner.

Lift the new combustor into position, with the stainless flanges on each end facing forward.

The combustor should slide easily into position, you may need to pinch down the top center with your finger to start, gently push as far to the back of the stove as possible.

Replace the flame shield in the orientation shown below.



Lift it into position, place the key slot opening over the bolt and push the flame shield down to seat. Tighten the bolt till its SNUG only, do not over tighten. The flame shield should rest at an angle (about 45 degrees) with the thin end at the bottom and the thick end near the top of the stove.

NOTE: Replacement combustors can be retrieved from Applied Ceramics or Contact your local Regency Dealer for details.

DO NOT OPERATE THE APPLIANCE IF COMBUSTOR BECOMES INACTIVE - DO NOT OPERATE WITHOUT COMBUSTOR.

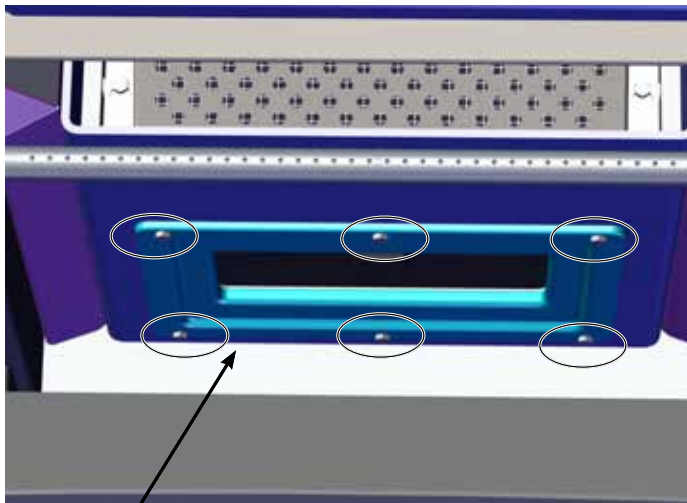
### BYPASS DOOR GASKET REPLACEMENT

1. Allow the stove to burn out and cool down, until cool to touch.
2. Open stove door to access bypass door.



3. Remove loosen the 3 rear bolts, then remove 3 front bolts. Support from the front and slide forward to remove Bypass Door Assembly.

Important: Bypass door is very heavy (>18 lbs) - use caution when servicing.



Loosen 3 rear bolts



F5100 Damper Assembly Draft

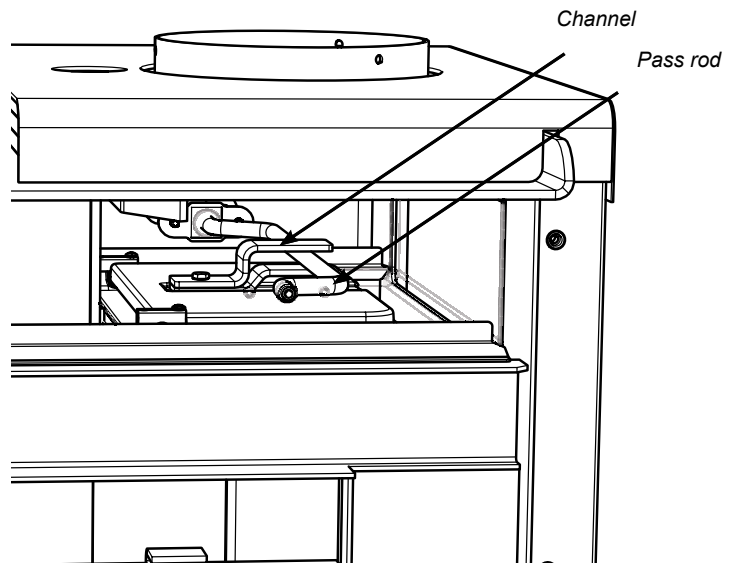
4. Slide bypass door assembly forward, lower complete assembly with care. Lift lid on bypass door assembly to reveal gasket.



4. Remove old gasket and replace with new one.

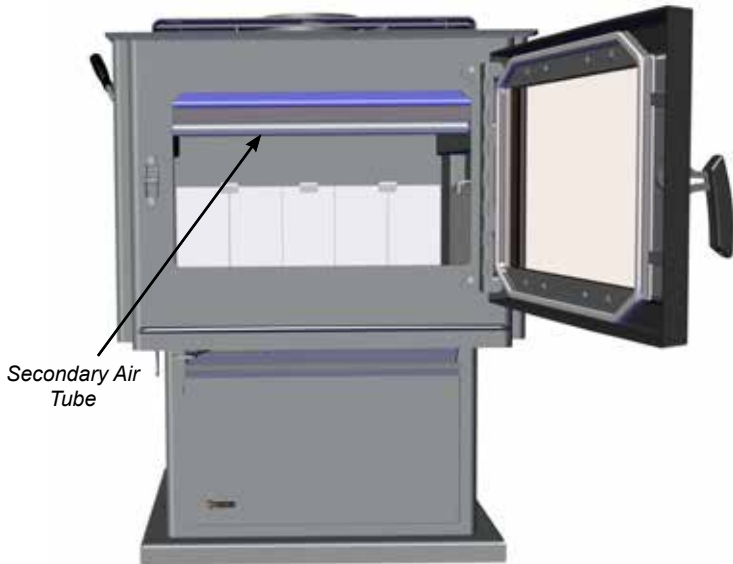


5. Reverse steps to reinstall - ensure the pass rod is seated with the channel on the pass door.  
*(Unit viewed as transparent to facilitate view)*

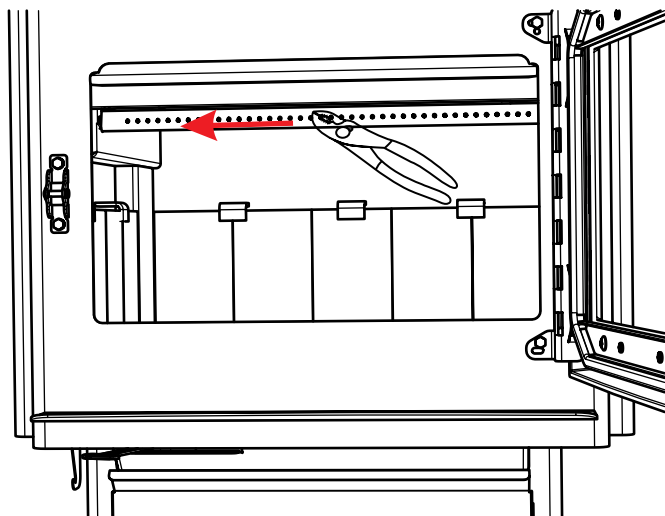


## SECONDARY AIR TUBE REMOVAL / INSTALLATION

1. Allow the stove to burn out and cool down, until cool to touch.
2. Open stove door to access secondary air tube.



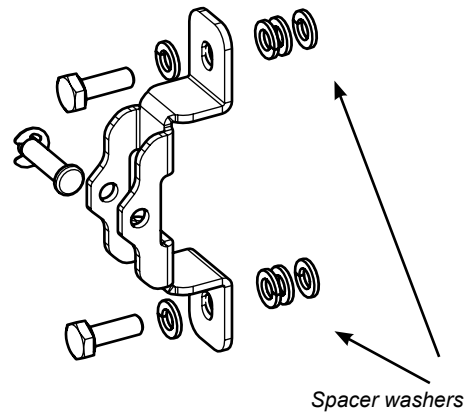
3. Grasp secondary air tube firmly with vise grips, using a hammer tap vise grips from right to left until air tube is released from grip. Remove.



3. To reinstall or replace, first slide left side of tube into hole on left side air channel. Align tab on right side air channel with notch on right hand end of air tube. Firmly grip center of air tube with vise grips, use hammer to tap vise grips from left to right until the tube bottoms out into the air channel on right.

## DOOR CATCH ADJUSTMENT

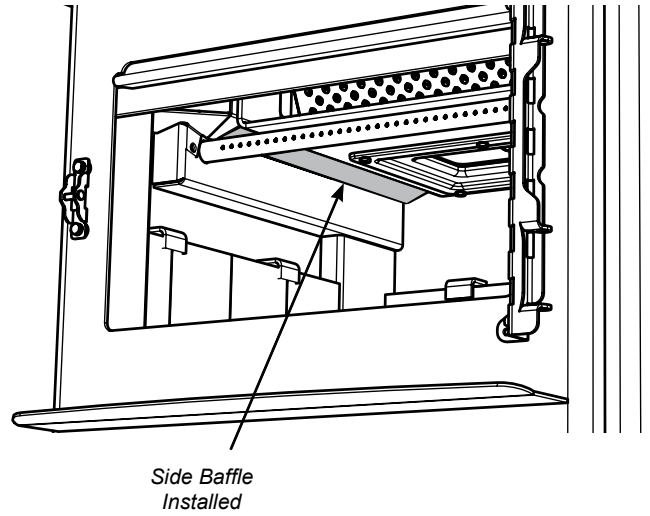
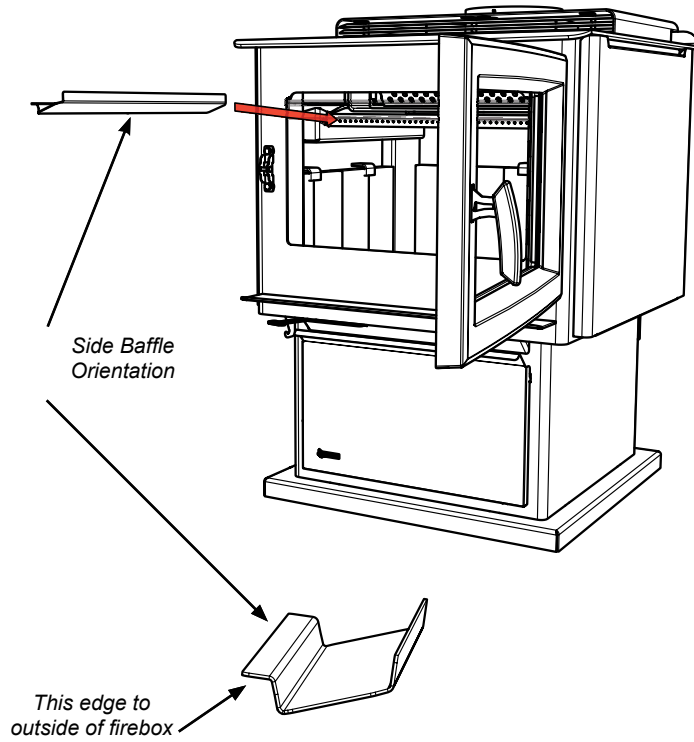
The door catch may require adjustment as the door gasket compresses after a few fires. The door catch compression may require adjustment to renew seal. Removal of the spacer washer, shown in the diagram below, will allow the catch to be moved closer to the door frame, causing a tighter seal. Remove and replace the nuts, washer and spacer as shown



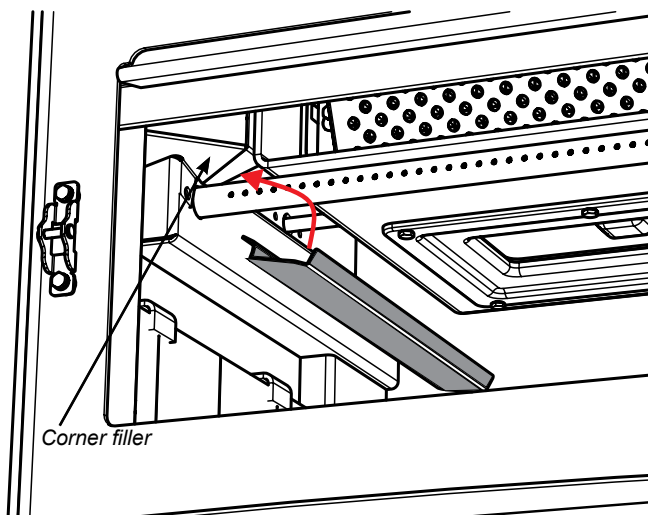
F5100 Airtube Replacement

### SIDE BAFFLE INSTALLATION / REMOVAL

1. Allow the stove to burn out and cool down.
2. Open stove door bring the side baffle into the stove in the orientation shown below.



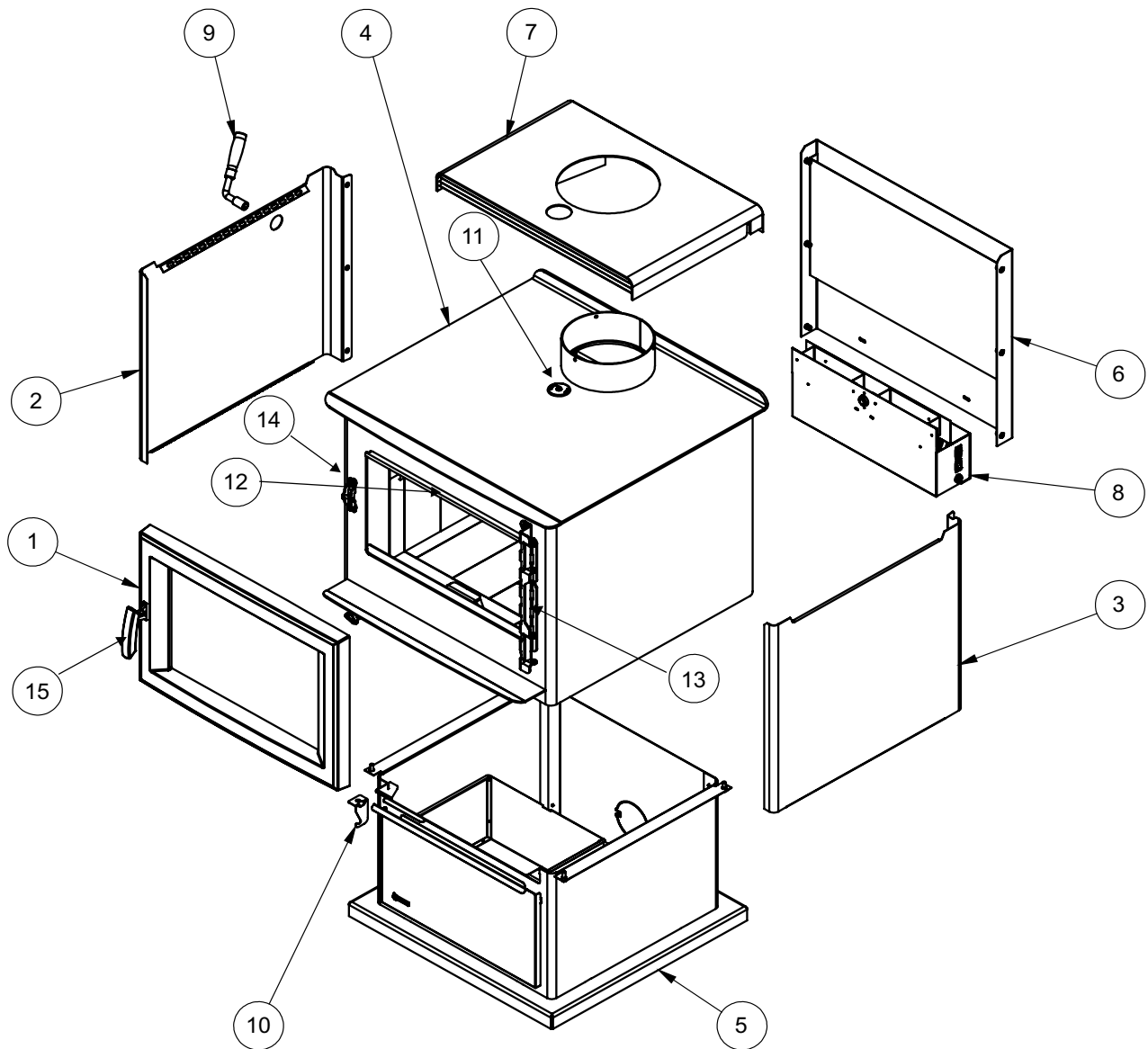
3. Manoeuvre the side baffle underneath the upper corner filler, then let the baffle rest on the side of the combustor housing.
4. Repeat process on other side.



Annual Maintenance	
Completely clean out entire unit	Annually
Inspect air tube, Catalytic Combustor and bricks	Replace any damaged parts.
Adjust door catch assembly	If unable to obtain a tight seal on the door - replace door gasket seal. Readjust door catch after new gasket installed.
Inspect condition and seal of: Glass Gasket Door Gasket	Perform paper test - replace gasket if required
Paper Test	Test the seal on the loading door with a paper bill. Place a paper bill in the gasket area of the door on a cold stove. Close the door. Try to remove the paper by pulling. The paper should not pull out easily, if it does, try adjusting the door latch, if that doesn't solve the problem replace the door gasket.
Check and lubricate door hinge + latch	Use only high temperature anti seize lube. (ie. never seize)
Check glass for cracks	Replace if required.
Clean blower motor	Disconnect power supply. Remove and clean blower. <b>*DO NOT LUBRICATE*</b>
Inspect and clean chimney	Annual professional chimney cleaning recommended.

F5100 STOVE MAIN ASSEMBLY

Part #	Description	Part #	Description
1	051-539 Cast Door Assembly	9	051-538 Removable Arm Assembly
2	156-004 Side Heat Shield RH	10	051-018 Handle Holder
3	051-005 Side Heat Shield LH		051-530 Catalytic Combustor Assembly (not shown)
4	Firebox Assembly		063-954 Airtube 1" x 23" long
5	051-513 Pedestal Assembly	11	051-067 Thermometer
6	051-515 Rear Heat Shield Assembly		051-221 Cast Bypass Door
7	051-912 Airmate 8"		936-232 Gasket Bypass Door (per foot)
8	846-515 Fan-Free Standing Stove	12	051-003 Stainless Steel Smoke Deflector
	910-157/P Replacement Motor	13	051-059 Door Hinge Assembly
	910-138 Auto/Manual Switch	14	106-561 Door Catch assembly
	910-140 Hi/Off/Lo switch	15	156-241 Removable Cast Handle
	910-142 Fan Thermodisc		051-006 L/R stainless steel firebox filler
			919-550 Manual

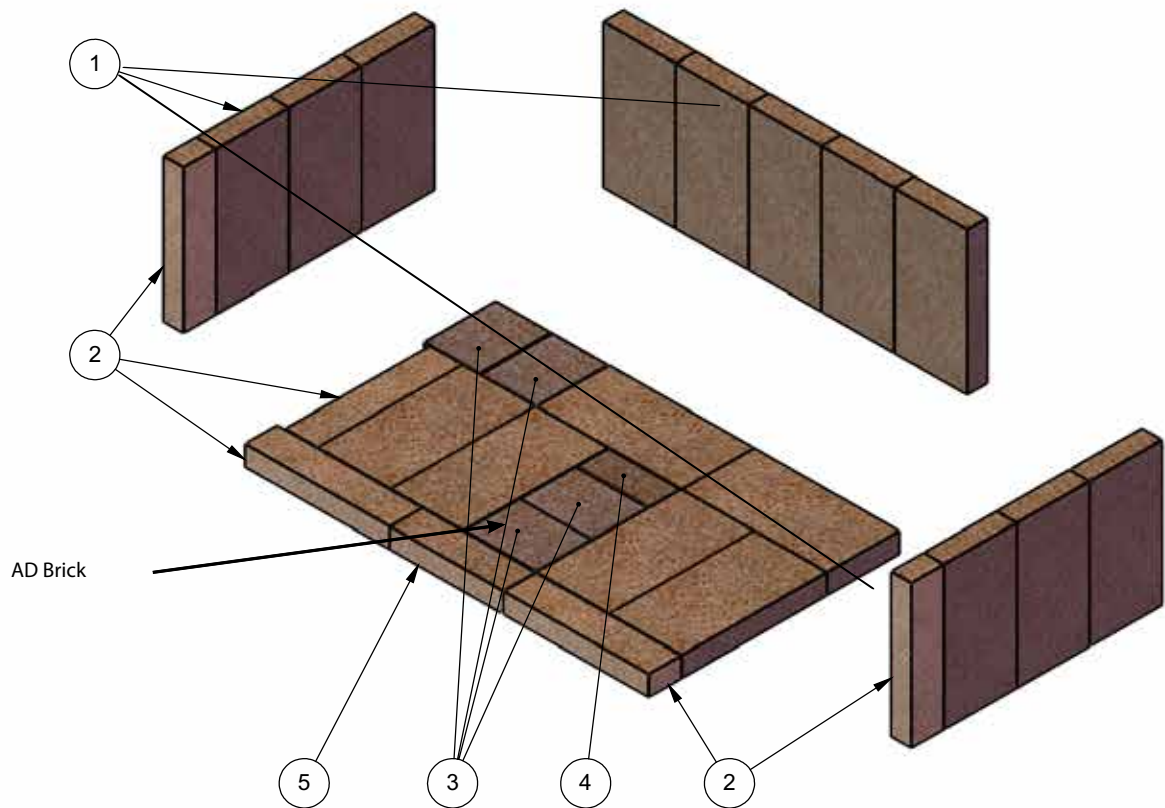




F5100 STOVE BRICK LAYOUT

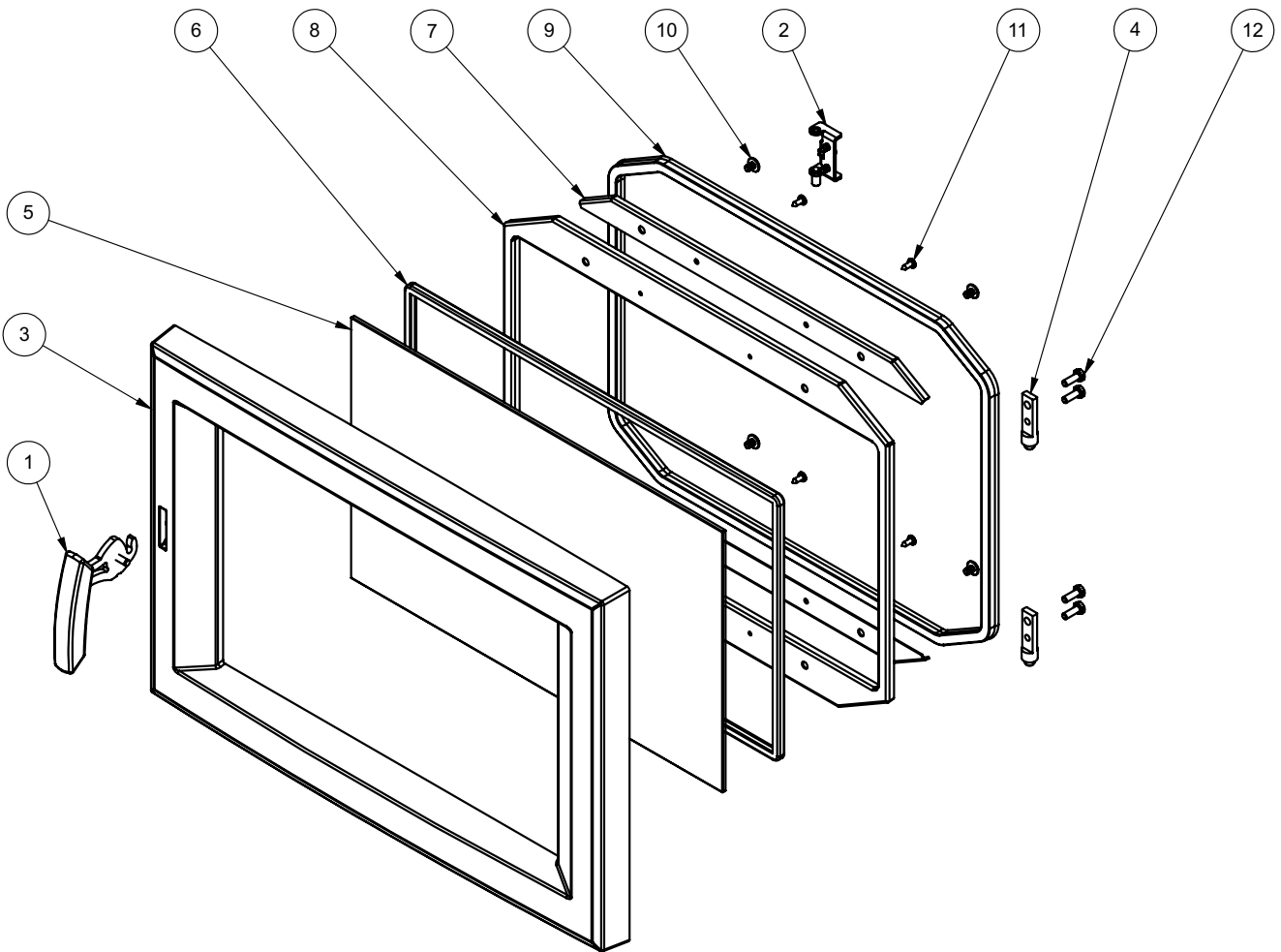
051-960 Brick Set Complete

Fire bricks	
#	Size
1	4-1/2" x 9"
2	2" x 9"
3	3-1/2" x 4-1/2"
4	1-3/4" x 4-1/2"
5	2" x 7"



DOOR ASSEMBLY

Part #	Description	Part #	Description		
1	156-514	REMOVABLE CAST HANDLE ASSEMBLY	7	051-058	GASKET BRACKET TOP/BOTTOM
2	051-515/P	ALIGNER ASSEMBLY	8	051-056	GLASS / GASKET FRAME
3	051-231	CAST DOOR METALLIC BLACK	9	936-077	5/8 MEDIUM DENSITY (936-077)
4	948-155	HINGE PIN	10	904-809	SCREW 1/4-20 x 3/8 TUSS HD PHIL ZINC PD (ea)
5	940-384/P	GLASS CERAMIC	11	904-146	SCREW #10 x 1/2 SELF TAP PAN HD PHILIPS (ea)
6	936-243	TAPE 7/8 WINDOW ADHESIVE	12	0904-513	HEX BOLT 1/4-20 x 3/4 LG. (ea)
				051-057	SIDE GASKET BRACKET (ea)



---

---

---

---

---

---

---

---

---

---

---

---

---

---

---

---

---

---

---

---

---

---

---

---

---

---

---

---

---

---

Lined writing area consisting of 24 horizontal lines.



**Regency Fireplace Products are designed with reliability and simplicity in mind. In addition, our internal Quality Assurance Team carefully inspects each unit thoroughly before it leaves our door. FPI Fireplace Products International Ltd. is pleased to extend this limited lifetime warranty to the original purchaser of a Regency Product. This warranty is not transferable.**

**The Warranty:** Limited Lifetime

Covered under the agreement are the following components:

Steel Firebox, convector airmate, ashdrawer, glass (thermal breakage), airtube, door handle, stainless steel smoke deflector, stainless steel fillers, and stainless steel flame guard.

The above will be covered for parts and subsidized labour for the first five years and parts only thereafter with the exception of the fireboxes (see below).

**NOTE: The Catalytic Combustor warranty is covered by the supplier, Applied Ceramics. See warranty details on next page.**

FPI is not liable for freight or labor on any wood burning appliance replaced in field.

Cast components such as the front door, by-pass damper control plate and complete damper housing, including damper arm mechanism, will be covered for five years against defect in manufacture, three years parts and subsidized labor the remaining two years parts only.

Electrical components such as blowers, switches and thermodisc's are covered for two years parts and one year subsidized labour\* from date of purchase.

Repair/replacement parts purchased by the consumer from FPI after the original coverage has expired on the unit will carry a 90 day warranty, valid with a receipt only. Any item shown to be defective will be repaired or replaced at our discretion. No labor coverage is included with these parts.

**Conditions:**

Any part or parts of this unit which in our judgement show evidence of such defects will be repaired or replaced at FPI's option, through an accredited distributor or agent provided that the defective part be returned to the distributor or agent **Transportation Prepaid**, if requested.

It is the general practice of FPI to charge for larger, higher priced replacement parts and issue credit once the replaced component has been returned to FPI and evaluated for manufacturer defect.

The authorized selling dealer is responsible for all in-field service work carried out on your Regency product. FPI will not be liable for results or costs of workmanship from unauthorized service persons or dealers.

At all times FPI reserves the right to inspect product in the field which is claimed to be defective.

All claims must be submitted to FPI by authorized selling dealers. It is essential that all submitted claims provide all of the necessary information including customer name, purchase date, serial #, type of unit, problem, and part or parts requested, without this information the warranty will be invalid.

**Exclusions:**

This limited Lifetime Warranty does not extend to or include, paint, door or glass gasketing, firebrick or trim. It does not cover installation and operational related problems such as creosote or similar, over-firing, use of corrosive driftwood, chemically treated wood, mill ends, garbage, cardboard, solvents, trash, paper, coal, or unseasoned wood, downdrafts or spillage caused by environmental conditions, nearby trees, buildings, hilltops, mountains, inadequate venting or ventilation, excessive offsets, negative air pressures caused by mechanical systems such as furnaces, fans, clothes dryers etc.

At no time will FPI be liable for any consequential damages which exceed the purchase price of the unit. FPI has no obligation to enhance or modify any unit once manufactured. ie. as products evolve, field modifications or upgrades will not be performed.

FPI will not be liable for travel costs for service work.

**Annual maintenance must be completed as per the manual. The lack of annual maintenance on this appliance will void your warranty. For Service and Maintenance video's for this appliance, visit our website: [www.regency-fire.com](http://www.regency-fire.com).**

Installation and environmental problems are not the responsibility of the manufacturer and therefore are not covered under the terms of this warranty policy.

Any unit which shows signs of neglect or misuse is not covered under the terms of this warranty policy. Damage caused by improper use, not covered under terms of warranty.

The warranty will not extend to any part which has been tampered with or altered in any way, or in our judgment has been subject to misuse.

Freight damage to stoves and replacement parts is not covered by warranty and is subject to a claim against the freight carrier by the dealer.

FPI will not be liable for acts of God, or acts of terrorism, which cause malfunction of the appliance.

Performance problems due to operator error will not be covered by this warranty policy.

Products made or provided by other manufacturers and used in conjunction with the operation of this appliance without prior authorization from FPI, may nullify your warranty on this product.

\* Subsidy according to job scale as predetermined by FPI.



**APPLIED CERAMICS  
IMPORTANT WARRANTY INFORMATION FOR CATALYTIC CONVERTER**

Any and all claims for catalytic combustor must be filed **by the consumer** directly with APPLIED CERAMICS (full address below).  
FPI/Regency does not handle these claims.

Please follow the instructions below for returning your catalytic converter under warranty. To learn more about the care and maintenance or the catalytic converter, please visit our website: [www.firecatcombustors.com](http://www.firecatcombustors.com).

**Original Limited Lifetime warranty (first six (6) years).**

APPLIED CERAMICS warrants to the consumer who purchases a VERSAGRID CATALYTIC CONVERTER as a component in an E.P.A. certified solid fuel appliance, to replace at no charge to the consumer, the VERSAGRID CATALYTIC CONVERTER that ceases to function with three (3) years from the date of purchase by the original consumer, provided that the following conditions are met:

- (1) A copy of the original bill of sale that include place and date of purchase must be submitted with the warranty claim. (THIS IS THE RECEIPT FOR THE PURCHASE OF YOUR WOOD BURNING APPLIANCE).
- (2) The original Versagrid catalytic converter must be returned to Applied Ceramics.
- (3) The Versagrid Catalytic Converter must not have been mechanically abused, nor must the wrong fuels have been used in the appliance.

If after three years the Versagrid Catalytic Converter fails to function, the Prorated Warranty will allow replacement at the following special price schedule:

Year 4.....\$90\*  
 Year 5.....\$100\*  
 Year 6.....\$110\*  
 Year 7.....current retail price.

Conditions 1,2, and 3 also apply to the Prorated portion of the warranty.

Any E.P.A. certified solid fuel appliance will receive one replacement catalyst converter only during the three-year period. The consumer will be responsible for removal, any servicing, and return of any items required for filing the warranty claim. This warranty is APPLIED CERAMICS exclusive warranty and APPLIED CERAMICS disclaims any other express or implied warranty for the Versagrid Catalytic Converter, including any warranty or merchantability of fitness for a particular use.  
NO LABOR WILL APPLY.

All warranty claims must include \$12.50 for postage and handling within the continental US. Alaska and Canada must include \$35 for cover shipping and handling. Please allow 2-4 for delivery.

All warranty claims must be sent to: APPLIED CERAMICS  
Customer Service Department  
5555 Pleasantdale Road  
Doraville, GA 30340

\* Prices subject to change.



## CANADIAN CUSTOMERS ONLY

### APPLIED CERAMICS IMPORTANT WARRANTY INFORMATION FOR CATALYTIC CONVERTER

Any and all claims for catalytic combustor must be filed **by the consumer** directly with their authorized Regency Dealer. FPI/Regency does not handle these claims directly with consumers.

Please follow the instructions below for returning your catalytic converter under warranty. To learn more about the care and maintenance or the catalytic converter, please visit our website: [www.firecatcombustors.com](http://www.firecatcombustors.com).

#### Original Limited Lifetime warranty (first six (6) years).

APPLIED CERAMICS warrants to the consumer who purchases a VERSAGRID CATALYTIC CONVERTER as a component in an E.P.A. certified solid fuel appliance, to replace at no charge to the consumer, the VERSAGRID CATALYTIC CONVERTER that ceases to function with three (3) years from the date of purchase by the original consumer, provided that the following conditions are met:

- (1) A copy of the original bill of sale that include place and date of purchase must be submitted with the warranty claim from your authorized Regency Dealer.  
(THIS IS THE RECEIPT FOR THE PURCHASE OF YOUR WOOD BURNING APPLIANCE).
- (2) The original Versagrid catalytic converter must be returned to the authorized Regency Dealer.
- (3) The Versagrid Catalytic Converter must not have been mechanically abused, nor must the wrong fuels have been used in the appliance.
- (4) All claims must be accompanied by clear photos of the catalyst showing all damage and also showing existing internal venting from the stove.

If after three years the Versagrid Catalytic Converter fails to function, the Prorated Warranty will allow replacement at the following special price schedule:

Year 4.....\$90\*  
 Year 5.....\$100\*  
 Year 6.....\$110\*  
 Year 7.....current retail price.  
 Conditions 1,2, and 3 also apply to the Prorated portion of the warranty.

Any E.P.A. certified solid fuel appliance will receive **one replacement catalyst converter only during the first three-year period**. The consumer will be responsible for removal, any servicing, and return of any items required for filing the warranty claim. This warranty is APPLIED CERAMICS exclusive warranty and APPLIED CERAMICS disclaims any other express or implied warranty for the Versagrid Catalytic Converter, including any warranty or merchantability of fitness for a particular use. NO LABOR WILL APPLY.

All warranty claims must be sent to: Regency Fireplace Products  
 By Authorized Regency Dealer

\* Prices subject to change.

\* Regency reserves the right to reject any claim if it is determined the damage is a result of misuse, abuse or improper cleaning/handling.

# Register your Regency® warranty online [www.regency-fire.com](http://www.regency-fire.com)

## Reasons to register your product online today!

- View and modify a list of all your registered products.
- Request automatic email notification of new product updates.
- Stay informed about the current promotions, events, and special offers on related products.

***Installer: Please complete the following information***

Dealer Name & Address: \_\_\_\_\_  
\_\_\_\_\_

Installer: \_\_\_\_\_

Phone #: \_\_\_\_\_

Date Installed: \_\_\_\_\_

Serial No.: \_\_\_\_\_

